

airmaster



24L AIR COMPRESSOR

MODEL NO: TIGER 8/250

PART NO: 2244000

OPERATION & MAINTENANCE INSTRUCTIONS



INTRODUCTION

Thank you for purchasing this product.

Before attempting to use this product, please read this manual thoroughly and follow the instructions carefully. In doing so you will ensure the safety of yourself and that of others around you, and you can look forward to your purchase giving you long and satisfactory service.

GUARANTEE

This product is guaranteed against faulty manufacture for a period of 12 months from the date of purchase. Please keep your receipt which will be required as proof of purchase.

This guarantee is invalid if the product is found to have been abused or tampered with in any way, or not used for the purpose for which it was intended.

Faulty goods should be returned to their place of purchase, no product can be returned to us without prior permission.

This guarantee does not effect your statutory rights.

PARTS AND SERVICING

For Parts & Servicing, please contact your nearest dealer, or
Machine Mart Store, on one of the following numbers.

PARTS TEL:01 15 956 1805

SERVICE TEL:01 15 956 1809

CUSTOMER CARE LINE:01 15 956 1810







OR:01 15 955 9999

SAFETY PRECAUTIONS

Before using your compressor it is in your own interest to read and pay attention to the following safety rules.

1. Compressed air is dangerous. Do not point a jet of air at persons or animals, and do not discharge compressed air against the skin.
2. DO NOT operate your compressor with the guard removed.
3. Repairs must only be carried out by a qualified engineer. If problems occur, contact your Clarke dealer.
4. Before carrying out any maintenance, make sure that the pressure is released from the air reservoir, and that the compressor is disconnected from the electrical supply.
5. DO NOT leave pressure in the receiver overnight, or when transporting.
6. DO NOT adjust, or tamper with the safety valves. The maximum pressure is factory set, and clearly marked on the compressor.
7. DO NOT operate in wet or damp conditions. Keep the compressor dry at all times. Similarly, clean air will allow the compressor to work efficiently. Do not use in dusty or otherwise dirty locations.
8. Some of the metal parts can become quite hot during operation. Do not touch these until the compressor has cooled down.
9. Always set the pressure regulator to the recommended setting for the tool.
10. When spraying flammable materials e.g. cellulose paint, ensure that there is sufficient airflow and keep clear of any source of ignition.
11. Before spraying any material always consult paint manufacturers instructions for safety and usage.
12. Protect yourself. Goggles will protect your eyes from flying particles. Face masks will protect you against paint spray and fumes.
13. Do not apply strain to electrical cables and make sure that air hoses are not kinked or wrapped around the compressor.
14. When disconnecting air hoses or other equipment from your compressor, make sure that the air supply is turned off at the outlet and vent all pressurised air from within the reservoir and other equipment attached to it.
15. Make sure that children and animals are kept well away from the compressor and any equipment attached to it.
16. Make sure that all individuals using the compressor have had the necessary training and have read and fully understand these operating instructions.
17. Make sure that any equipment or tool used in conjunction with your compressor, has a safe working pressure exceeding that of the compressor.
18. Be careful when transporting the compressor to prevent tipping over
19. Permanently installed systems must be installed by a competent engineer.
20. These compressors produce noise levels in excess of 70dB(A). Persons working near the compressor must be supplied with ear protection.

SAFETY SYMBOLS

	<p>Read this instruction booklet carefully before positioning, operating or adjusting the compressor.</p>
	<p>Risk of electric shock. The compressor must be disconnected from the mains supply before removing any covers. Do not use in a damp environment.</p>
	<p>Risk of accidental start-up. The compressor could start automatically in the event of a power cut and subsequent reset. Do not carry the compressor while it is connected to the power source, or when the tank is filled with compressed air.</p>
	<p>This compressor contains surfaces which may reach a high temperature during operation. Never operate with the motor housing removed.</p>
	<p>Wear a safety goggles and ear protectors when using this compressor</p>
 93 dB	<p>This compressor produces a high sound level during operation. Ear protection should be worn.</p>

ELECTRICAL CONNECTIONS



WARNING! Read these electrical safety instructions thoroughly before connecting the product to the mains supply.

Connect the mains lead to a standard, 230 Volt (50Hz) electrical supply through an approved 13 amp BS 1363 plug, or a suitably fused isolator switch.

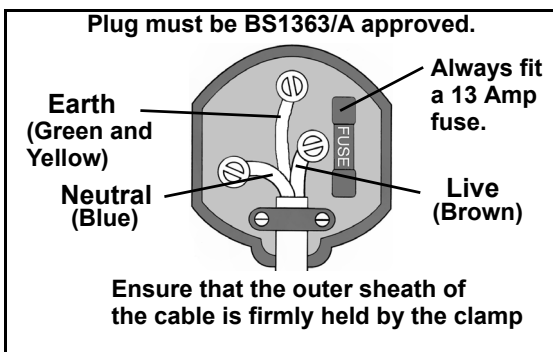
If the plug has to be changed because it is not suitable for your socket, or because of damage, it must be removed and a replacement fitted, following the wiring instructions shown below. The old plug must be discarded safely, as insertion into a power socket could cause an electrical hazard.



**WARNING! The wires in the power cable of this product are coloured in accordance with the following code:
Blue = Neutral Brown = Live Yellow and Green = Earth**

If the colours of the wires in the power cable do not agree with the markings on the plug:

- The BLUE wire must be connected to the terminal which is marked N or coloured black.
- The BROWN wire must be connected to the terminal which is marked L or coloured red.
- The YELLOW AND GREEN wire must be connected to the terminal which is marked E or \perp or coloured green.



We strongly recommend that this machine is connected to the mains supply through a Residual Current Device (RCD)

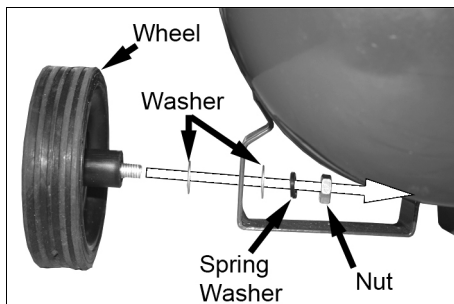
If you are not sure, consult a qualified electrician. DO NOT try to do any repairs.

ASSEMBLY

ATTACH THE WHEELS

Use a spanner to attach the wheels to the compressor.

Use the washers and spring washer in the positions shown.



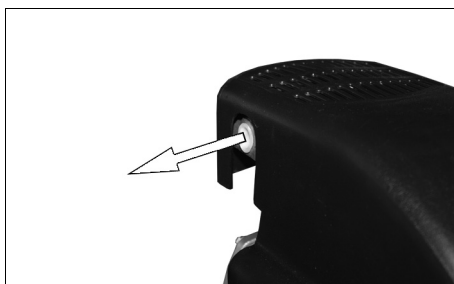
ATTACH THE SUPPORT FEET

Insert the support feet into the position shown.



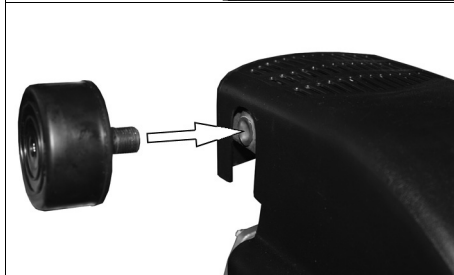
FIT THE AIR FILTER

1. Remove the travel plug.



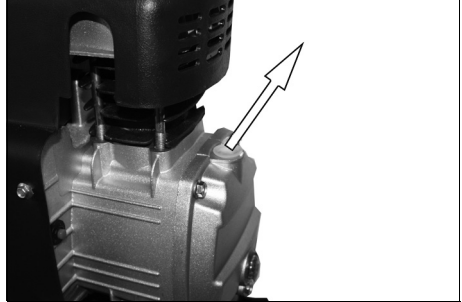
2. Screw the air filter into position.

- The air filter must be hand tight only.

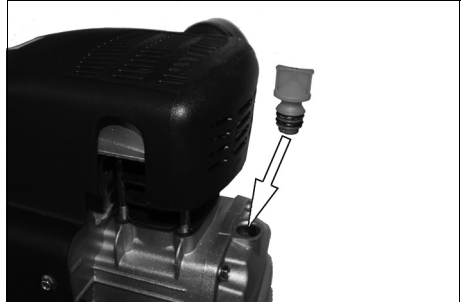


FIT THE OIL FILLER CAP

1. Remove the travel plug.



2. Insert the oil filler cap.



MOVING THE AIR COMPRESSOR



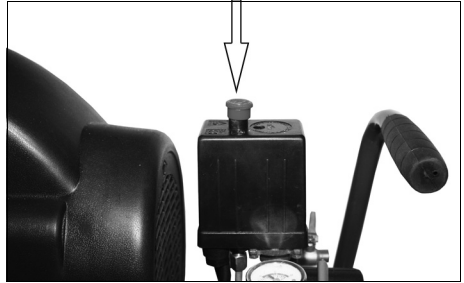
CAUTION: TO PREVENT INJURY, GET ASSISTANCE WHEN LIFTING THIS COMPRESSOR.

- Stop the compressor and disconnect it from the power supply before you move it.
- Always use the handle.
- To prevent damage, do not lift by (or put strain on) valves or hoses.

BEFORE USE

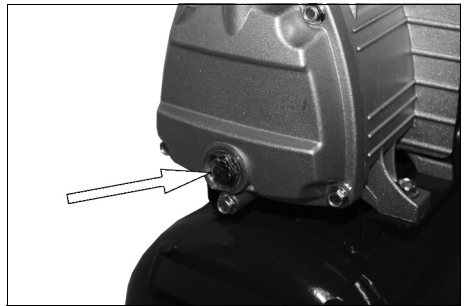
Before connecting your compressor to the power supply, check the following:-

- Set the ON/OFF switch to the OFF position (pushed down).
- Make sure that the compressor is on level ground.
- Make sure that the supply voltage matches the voltage shown on the data label.



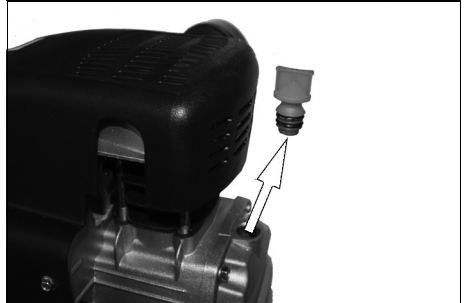
CHECK THE OIL LEVEL

1. Make sure that the oil level is half way up the oil sight glass.



2. If not, remove the oil cap and add oil to the reservoir.

- Only use SAE30 compressor oil, available from your dealer.



OPERATION

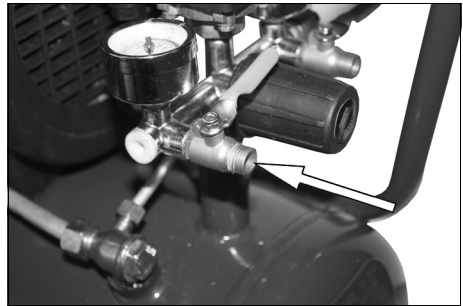
If the compressor has not been used for more than 24 hours, open the drain valve (on the bottom of the reservoir) and drain any condensate which has collected. See page 12

ATTACHING AIR TOOLS



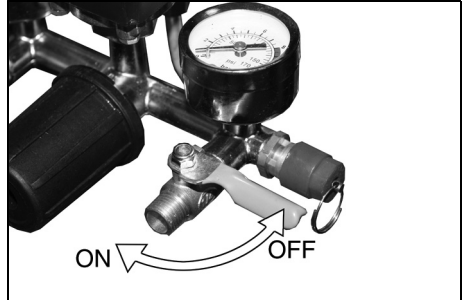
WARNING: BEFORE CONNECTING AIR TOOLS, MAKE SURE THAT YOU READ THE INSTRUCTIONS SUPPLIED WITH THE TOOL, ALSO ENSURE THAT THE TOOL IS SUITABLE FOR USE WITH THE COMPRESSOR AND HOSE SPECIFICATIONS.

1. Attach the air hose to the $\frac{1}{4}$ " BSP outlet valve..
2. Attach the tool to the end of the air hose.



3. Turn the outlet valve handle to the on position.

NOTE: The outlet valve is shown without the air hose fitted for clarity.



TURNING THE COMPRESSOR ON

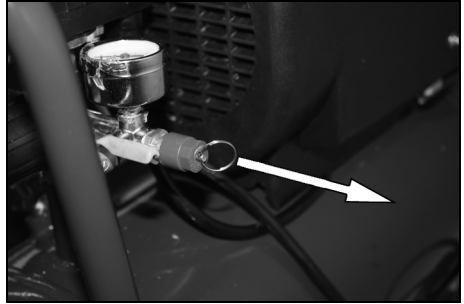
1. Plug the compressor into the power supply.
2. Lift the On/Off button.
 - The compressor will operate until the reservoir is fully pressurised. It will then shut down.
 - The compressor will start up again when the pressure in the reservoir decreases.



CHECK THE SAFETY VALVE

To make sure that the safety valve works correctly.

1. Pull on the ring attached.
 - Air will be released when you pull on the ring and stop when released.
2. If the valve does not operate in this way, do not use the compressor. The compressor must be repaired by a qualified service agent.

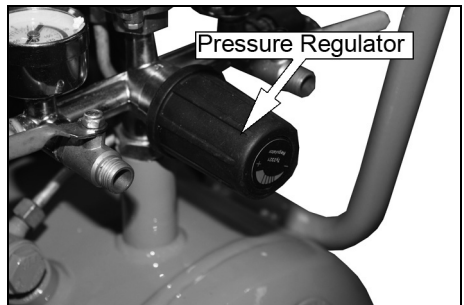


WARNING: DO NOT REMOVE OR TRY TO ADJUST THE SAFETY VALVE.

SET THE OUTPUT PRESSURE

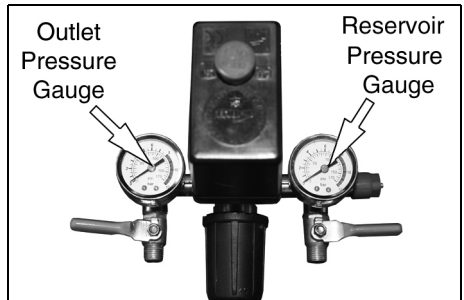
When viewed from the front, the left hand outlet valve is adjustable. The right hand outlet valve will only supply the full reservoir pressure and is not adjustable.

1. Use the pressure regulator to set the output pressure of the left hand outlet valve.
 - Turn clockwise to increase the pressure.
 - Turn counterclockwise to decrease the pressure.



GAUGES

1. The reservoir pressure gauge shows the current pressure in the reservoir.
2. The outlet pressure gauge shows the 'user set' outlet pressure. This can be adjusted as shown above.

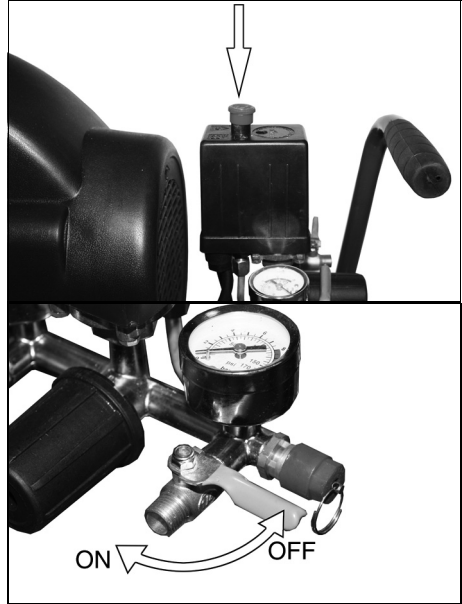


REMOVING TOOLS FROM THE AIR HOSE



WARNING: ALWAYS SET THE PRESSURE REGULATOR TO ZERO BEFORE YOU REMOVE OR REPLACE A TOOL.

1. Push down on the On/Off button to stop the compressor.



2. Turn the outlet valve handle to the off position.
3. Operate the tool to depressurise the air hose.
4. Disconnect the tool from the hose.

TURNING THE COMPRESSOR OFF

1. Follow steps 1-3 in "Removing Tools From The Air Hose" above.
2. Disconnect the compressor from the power supply.
3. Slowly open one of the outlet valve to depressurise the reservoir.
 - You will hear a hissing sound as the reservoir depressurises.
 - Do not leave the compressor unattended if the reservoir is pressurised.

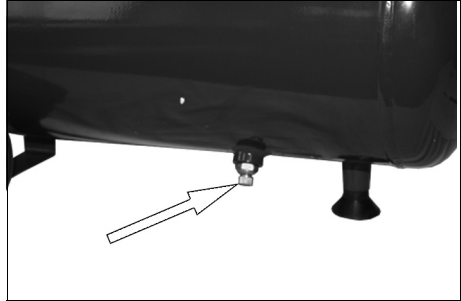


DRAINING THE RESERVOIR



CAUTION: YOU MUST DRAIN THE RESERVOIR AFTER EACH DAYS USE AND BEFORE YOU PUT YOUR COMPRESSOR INTO STORAGE.

1. Turn the compressor off and disconnect from the power supply.
2. Put a container below the drain valve to collect the condensate.
3. Open the drain valve slowly.
 - Condensation will drain from the reservoir.
4. Close the drain valve when the reservoir has fully drained.



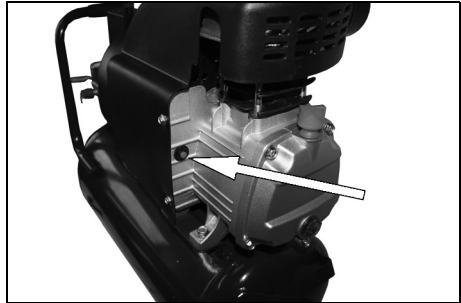
RESET BUTTON

This compressor has a thermal overload device.

If the motor gets too hot, the thermal overload device cuts the power which prevents damage to the motor.

If the thermal overload device operates, let the motor cool down for 5 minutes and push the reset button.

If you start the compressor and the overload cutout operates again, stop the compressor and disconnect from the power supply and have your compressor examined by a qualified service agent.



MAINTENANCE

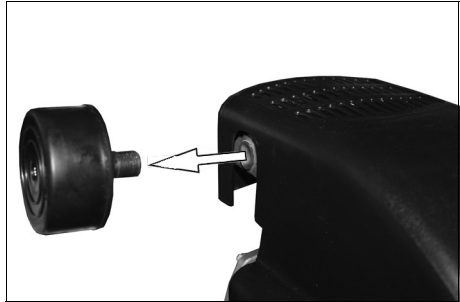
DRAIN THE RESERVOIR (DAILY)

After use, always open the drain valve to make sure that any condensate is drained off.

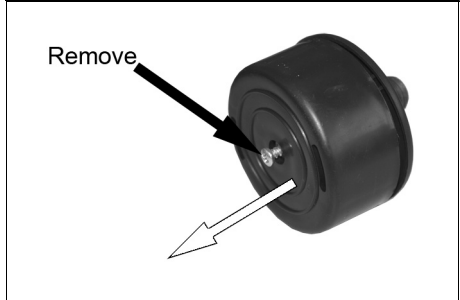
CLEAN THE AIR FILTER (MONTHLY)

The air filter must be examined monthly, more often in dusty conditions,

1. Remove the filter cover from the compressor.



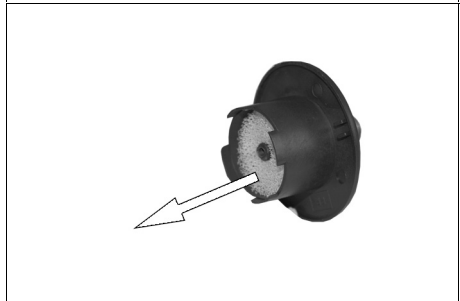
2. Remove the filter cover from the filter.



3. Remove the filter from the filter cover.

4. Clean the sponge and the filter cover using a soft brush.

- If necessary, the filter can be carefully cleaned in warm soapy water.
- Rinse and let the filter dry completely before refitting.



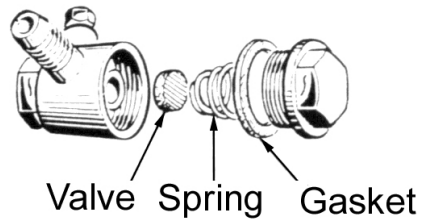
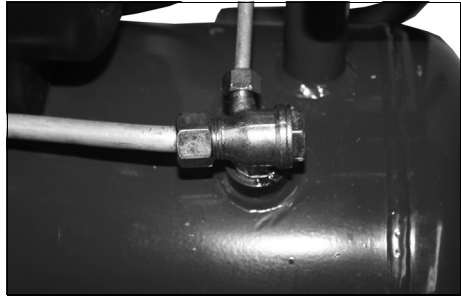
5. Make sure that the filter and filter cover are replaced into position.

- If the filter is damaged, you must replace it.

CHECK THE NON-RETURN VALVE (EVERY 6 MONTHS)

If the reservoir pressure decreases for no apparent reason, it is possible that the non-return valve is leaking. To check,

1. Make sure that the reservoir is not under pressure and the compressor is switched OFF.
2. Examine the non-return valve, and replace the gasket and valve if necessary.



SPECIFICATIONS

Max Pressure	8 Bar
Voltage	230 VAC (50/60Hz)
Air Displacement	7.5 CFM
Receiver Capacity	24 L
Fuse Rating	13 A
Dimensions (L x W x H)	545 x 310 x 590 mm
Guaranteed Sound Power Level	93 dB(A)
Weight	24 kg

Please note that the details and specifications contained herein, are correct at the time of going to print. We reserve the right to change specifications at any time without prior notice.

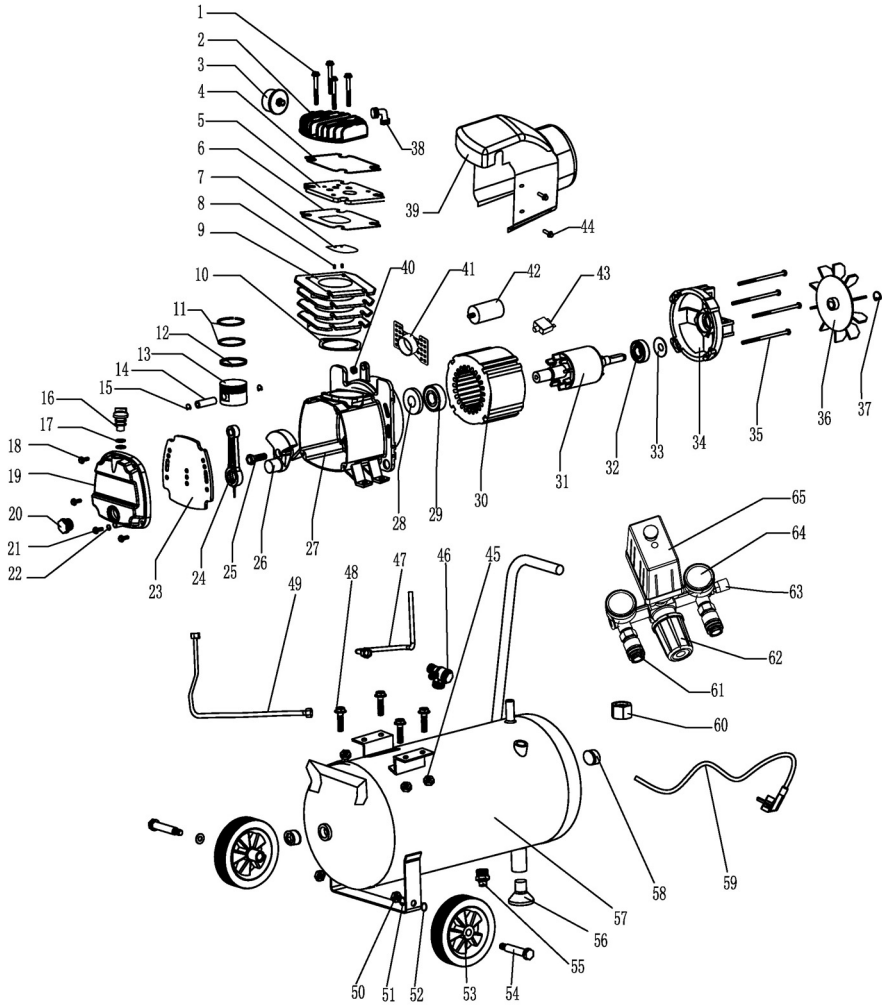
TROUBLESHOOTING



CAUTION: DO NOT TRY TO REPAIR OR ADJUST THIS COMPRESSOR IF YOU ARE UNCERTAIN. IF YOU HAVE ANY QUERIES, CONTACT YOUR DEALER.

PROBLEM	PROBABLE CAUSE	REMEDY
The compressor has stopped and does not start.	Bad electrical connections.	<ol style="list-style-type: none"> 1. Check electrical connections. 2. Clean and tighten if necessary.
	Overload cutout switch has tripped.	<ol style="list-style-type: none"> 1. Switch off and wait approx 5 minutes. 2. Press the reset button and switch on again.
	Motor windings burnt out.	<ol style="list-style-type: none"> 1. Contact your Clarke dealer for a replacement motor.
The compressor does not reach the set pressure and overheats easily.	Compressor head gasket blown or valve broken.	<ol style="list-style-type: none"> 1. Return the machine to your nearest service agent.
Compressor does not start.	The reservoir has already fully pressurised.	<ol style="list-style-type: none"> 1. Open drain valve to expel air. Compressor should start again when pressure reduces.
Air leaking from the non-return valve when the compressor is not running.	Faulty non-return valve.	<ol style="list-style-type: none"> 1. Drain receiver completely of air. 2. Remove the valve end plug, 3. Carefully clean the valve seat and the gasket 4. Reassemble.
Air pressure from the regulator will not adjust.	The diaphragm within the regulator body is broken.	<ol style="list-style-type: none"> 1. Replace regulator
The compressor is very noisy and makes a metallic knocking sound.	Compressor damaged and needs overhaul.	<ol style="list-style-type: none"> 1. Return the machine to your nearest service agent.

EXPLODED DIAGRAM



PARTS LIST

NO	DESCRIPTION
1	Bolt M8x105
2	Cylinder Head
3	Air Filter
4	Cylinder Seals
5	Valve Plate
6	Valve Plate Gasket
7	Valve Clack
8	Pin
9	Cylinder
10	Cylinder Gasket
11	Gas Ring
12	Oil Ring
13	Piston
14	Piston Pin
15	Circlip
16	Breath Pipe
17	O Circlip
18	Bolt M5x16
19	Crank Case Cover
20	Oil Leveler
21	Bolt M6x10
22	O Circlip
23	Rubber Gasket
24	Conncting Rod
25	Hex Bolt M8x22 (Left)
26	Crank 20
27	Crank Case
28	Sealing Ring
29	Brearing 6204
30	Stator
31	Rotor
32	Brearing 6202
33	Wave Washer

NO	DESCRIPTION
34	Motor Cover
35	Bolt M5x105
36	Wind Leaf
37	Circlip
38	Connector
39	Fan Cover
40	Nut M8
41	Flap
42	Capacitance
43	Thermal Protector
44	Bolt M5x12
45	Nut M8
46	Umilateralism
47	Release Pipe ?6.5
48	Bolt M8x25
49	Discharge Pipe
50	Nut M10
51	Spring
52	Washer
53	Wheel
54	Wheel Shaft
55	Drain Plug
56	Washer Foot
57	Tank
58	Stem Rp1/2
59	Power Cord
60	Nut Rp1/2
61	Quick Couplers
62	Regulator Valve
63	Safety Valve
64	Pressure Gauge
65	Pressure Switch

DECLARATION OF CONFORMITY



Product Description: Air compressor
Model number(s): Tiger 8/250
Serial / batch Number: N/A
Date of Issue: 11/12/2012
(Noise Conformity)
Notified Body: TÜV SÜD Industrie Service GmbH
Westendstraße 199
80686 MÜNCHEN
Germany

Technical Documentation Holder: A.R. Pond
Clarke International
2a Shrubland Road
London E10 7RB
UK

Conformity Assessment Procedure: to 2000/14/EC Annex VI
Manufacturer: Clarke International
Noise Related Value: 1.5 kW
Measured Sound Power Level: 91 dB
Guaranteed Sound Power Level: 93 dB

DECLARATION OF CONFORMITY



Machine Mart

We hereby declare that this product(s) complies with the following directive(s):

- 2004/108/EC Electromagnetic Compatibility Directive.*
- 2006/42/EC Machinery Directive.*
- 2011/65/EU Restriction of Hazardous substances.*
- 2009/105/EC Simple Pressure Vessel Directive.*
- 2000/14/EC Noise Emissions Directive, (amended by 2005/88/EC).*

The following standards have been applied to the product(s):

- EN 1012-1:2010, EN 61000-6-1:2007, EN 61000-6-3:2007+A1:2011, EN 61000-3-2:2006+A2:2009,*
- EN 61000-3-3:2008*

The technical documentation required to demonstrate that the product(s) meet(s) the requirement(s) of the aforementioned directive(s) has been compiled and is available for inspection by the relevant enforcement authorities.

The CE mark was first applied in: 2012

Signed:

J. Williams
Director

Machine Mart

A SELECTION OF OTHER QUALITY PRODUCTS

AIR COMPRESSORS

*From DIY to industrial. Plus air tools,
spray guns and accessories.*

GENERATORS

*Prime duty or emergency standby
for business, home and leisure.*

POWER WASHERS

*Hot and cold, electric and engine
driven - we have what you need.*

WELDERS

*Mig, Arc, Tig and Spot. From DIY to
auto/industrial.*

METALWORKING

*Drills, grinders and saws for DIY and
professional use.*

WOODWORKING

*Saws, sanders, lathes, mortisers
and dust extraction.*

HYDRAULICS

*Cranes, body repair kits,
transmission jacks for all types of
workshop use.*

WATER PUMPS

*Submersible, electric and engine
driven for DIY, agriculture and
industry.*

POWER TOOLS

*Angle grinders, cordless drill sets,
saws and sanders.*

STARTER/CHARGERS

All sizes for car & commercial use.



For Servicing and Spare Parts, please contact Machine Mart on one of the following numbers

PARTS: 0115 956 1805 SERVICE: 0115 956 1809