



# T18S/R14

**EN** *Original Instructions*

P.11

**DE** *Übersetzung Der Originalanleitung*

P.26

**FR** *Traduction Des Instructions Originales*

P.43

**NL** *Vertaling Van De Originele Instructies*

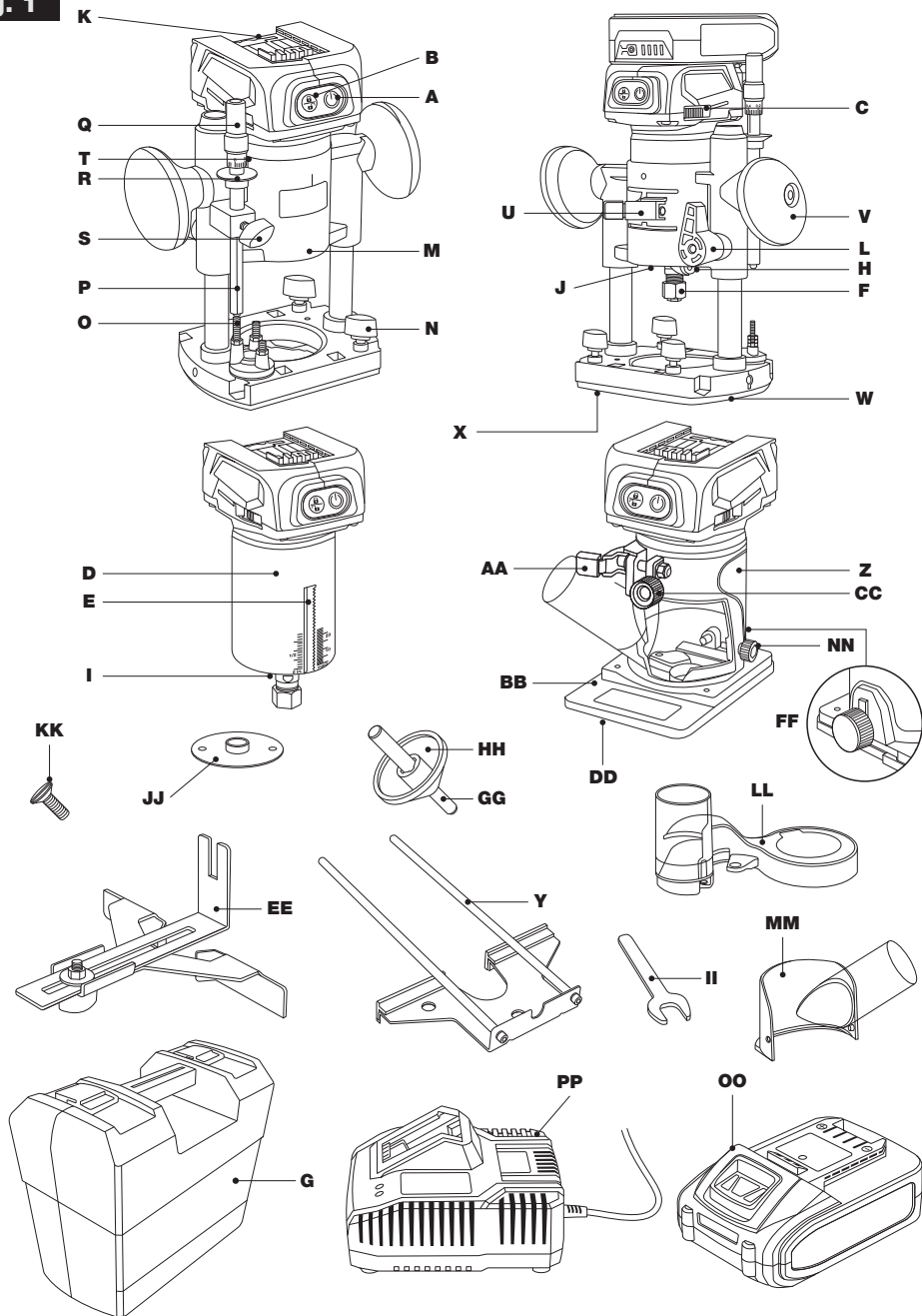
P.60

**SE** *Översättning Av De Ursprungliga Instruktionerna*

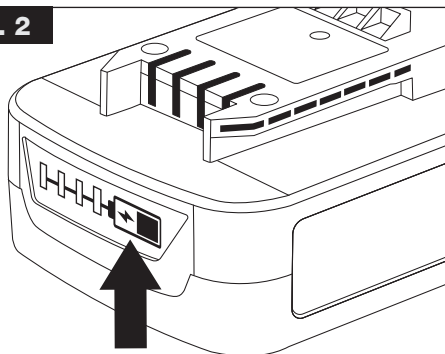
P.76



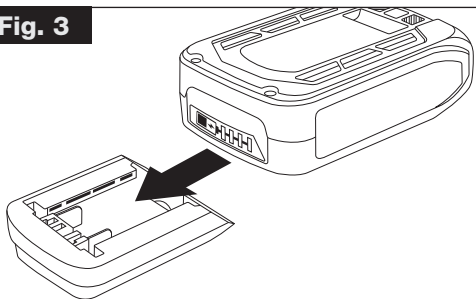
**Fig. 1**



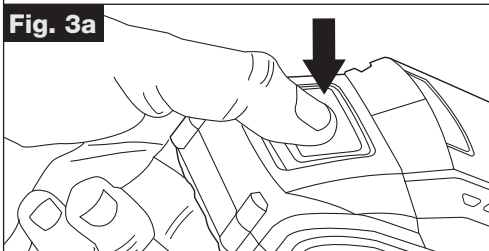
**Fig. 2**



**Fig. 3**



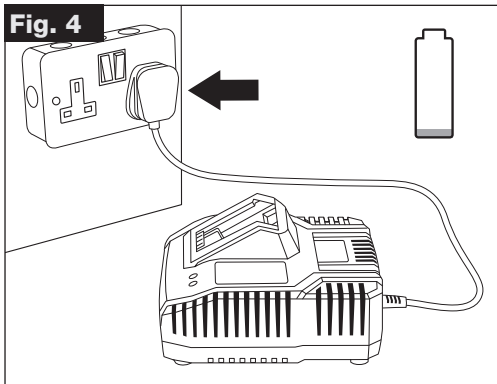
**Fig. 3a**



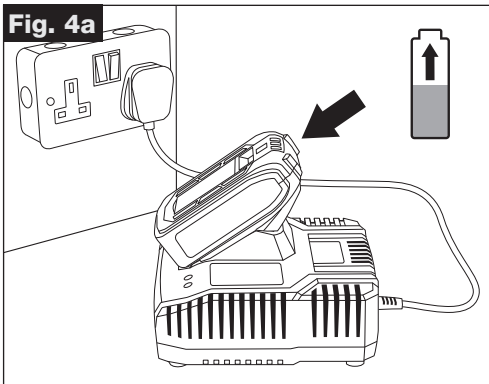
**Fig. 2a**



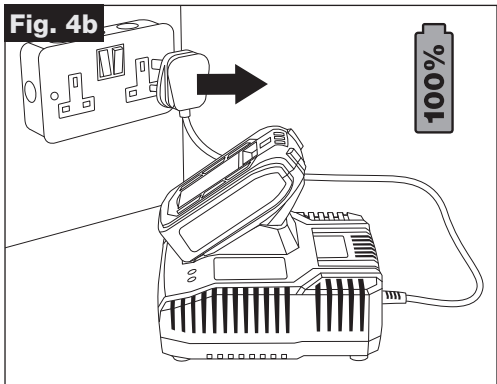
**Fig. 4**



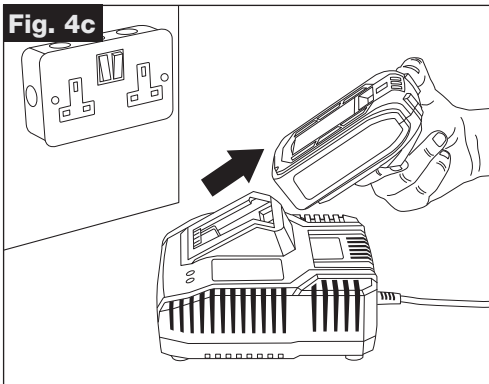
**Fig. 4a**



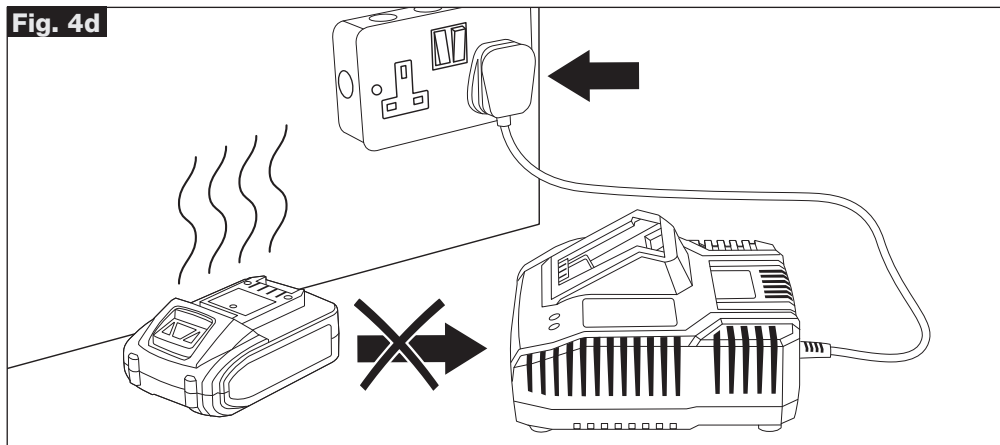
**Fig. 4b**



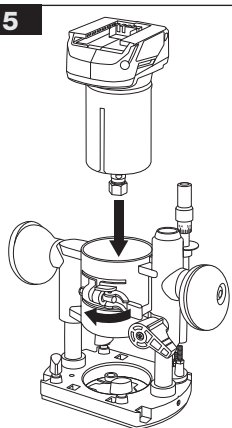
**Fig. 4c**



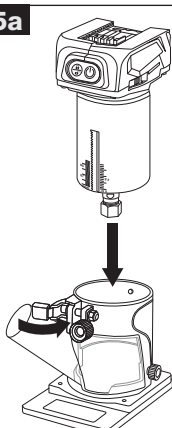
**Fig. 4d**



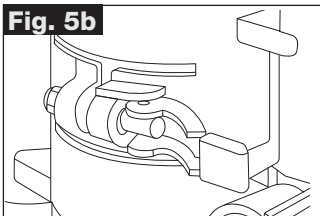
**Fig. 5**



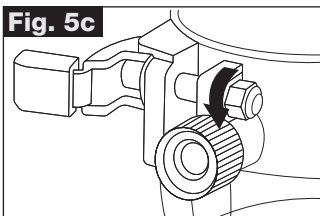
**Fig. 5a**



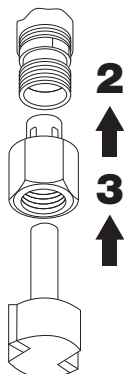
**Fig. 5b**



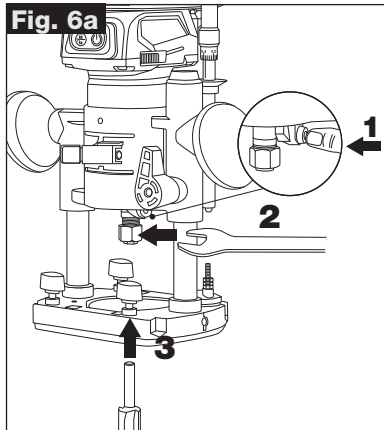
**Fig. 5c**



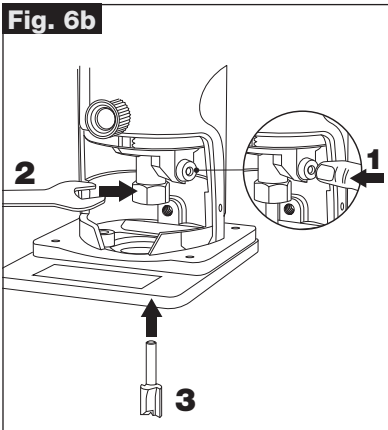
**Fig. 6**



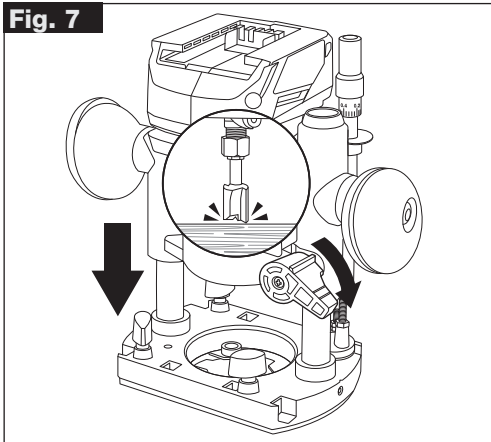
**Fig. 6a**



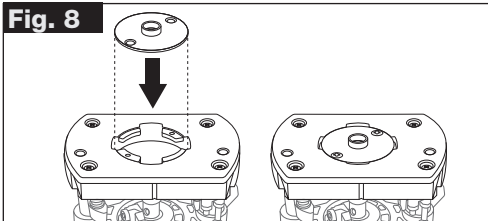
**Fig. 6b**



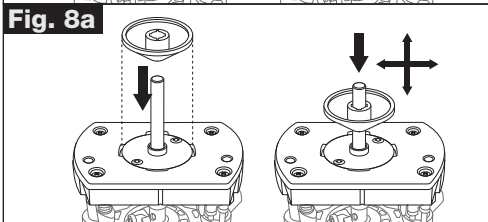
**Fig. 7**



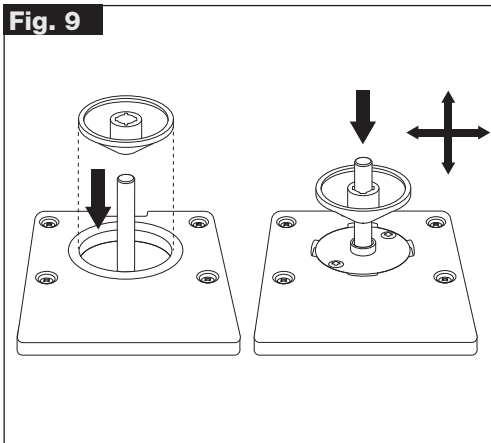
**Fig. 8**



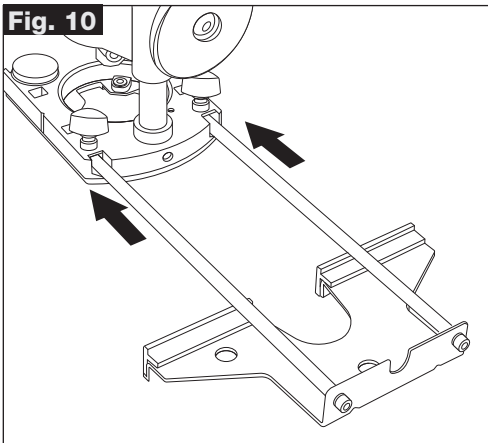
**Fig. 8a**



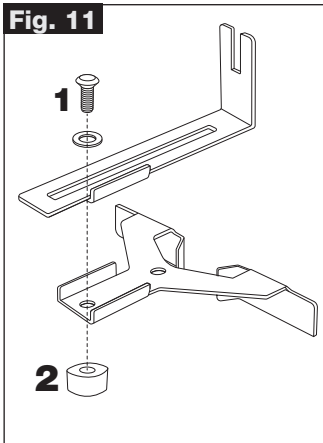
**Fig. 9**



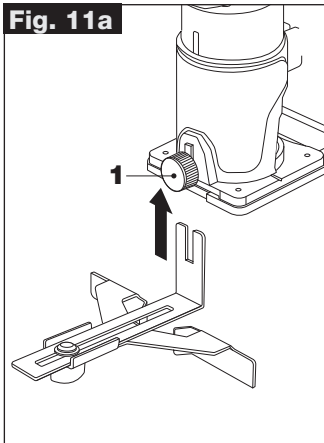
**Fig. 10**



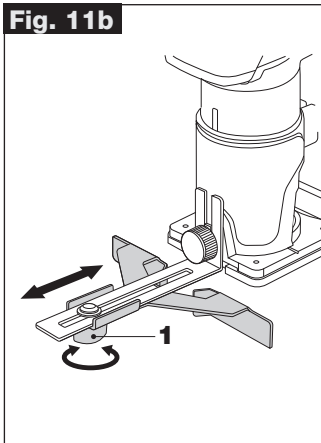
**Fig. 11**

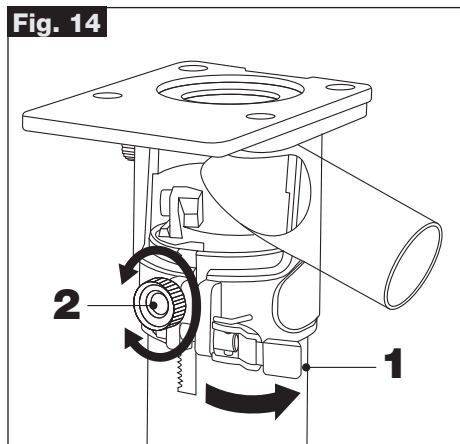
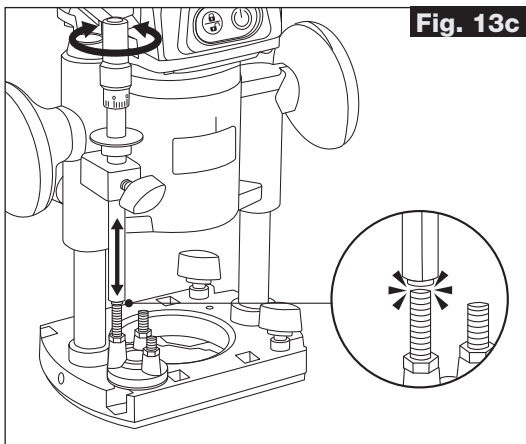
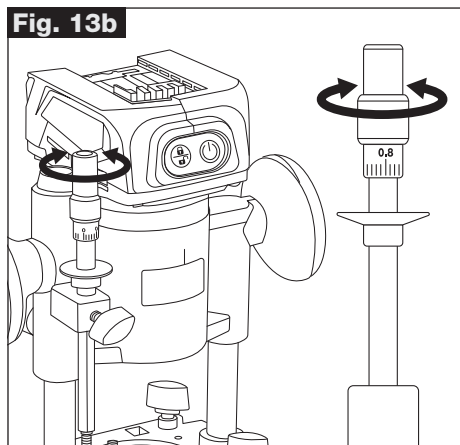
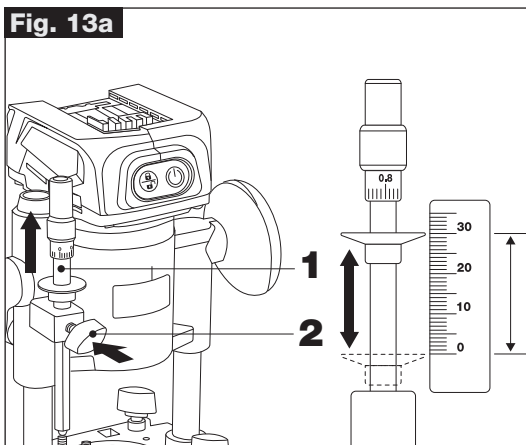
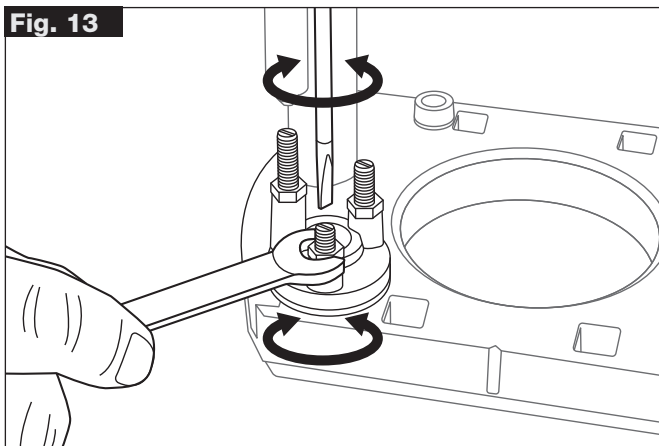
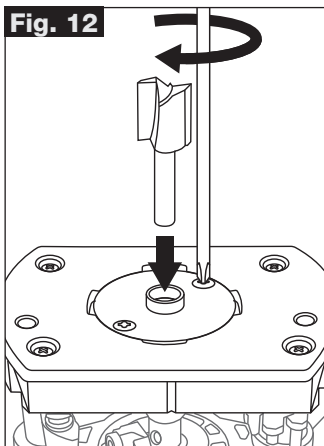


**Fig. 11a**

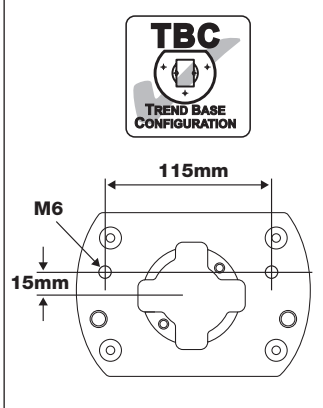


**Fig. 11b**

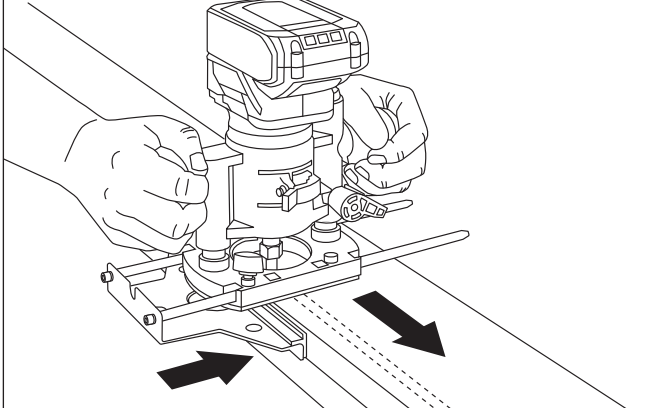




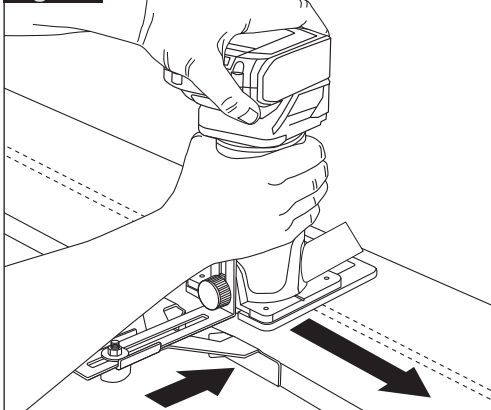
**Fig. 15**



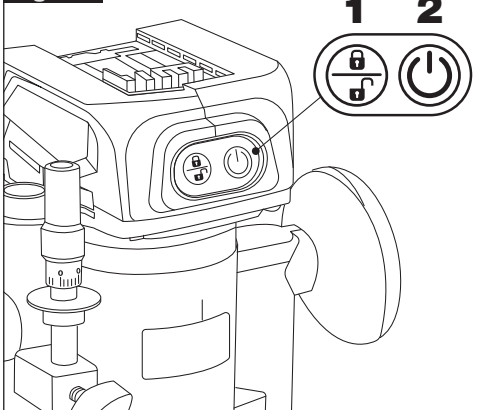
**Fig. 16**



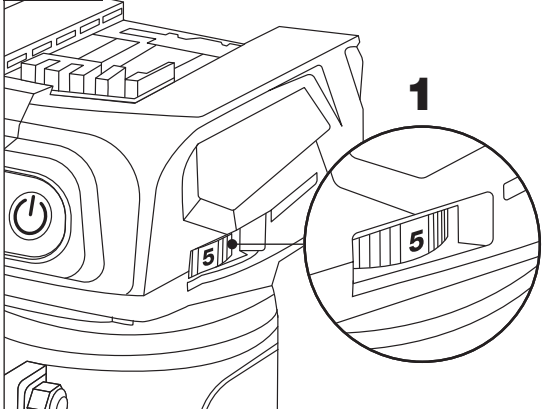
**Fig. 17**



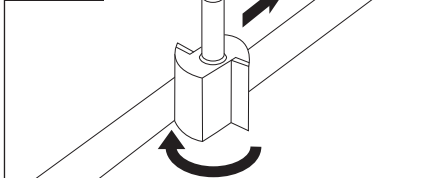
**Fig. 18**



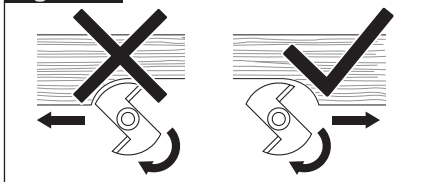
**Fig. 19**



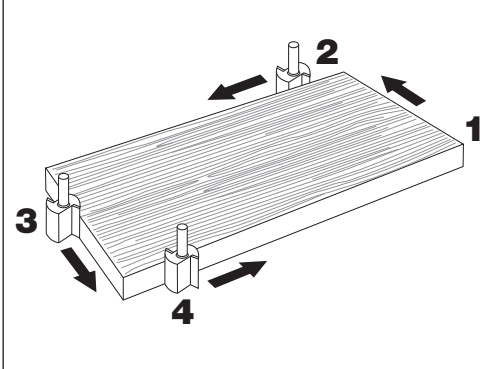
**Fig. 20**



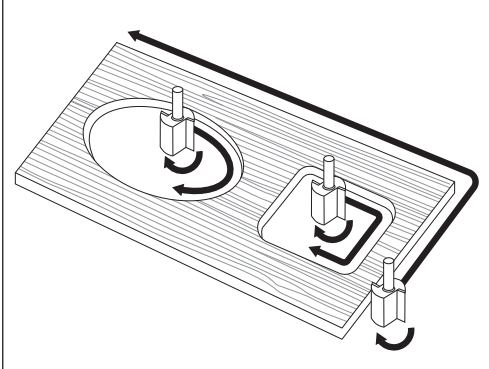
**Fig. 20a**



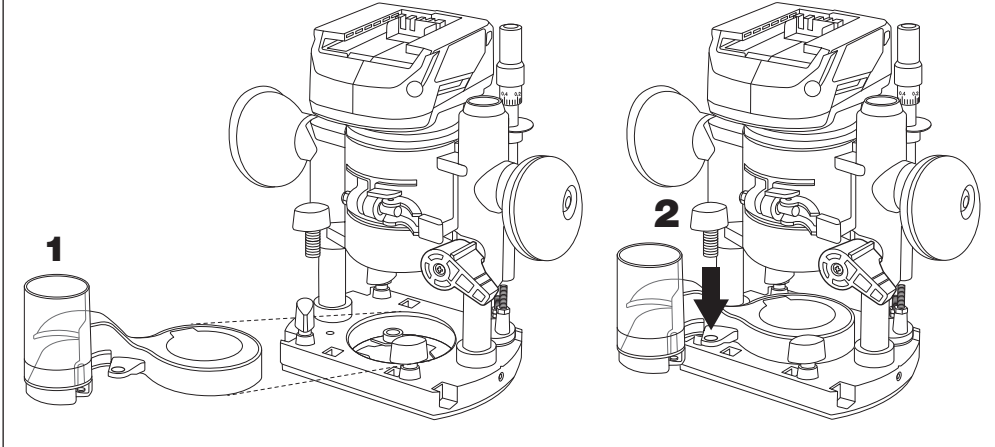
**Fig. 20b**



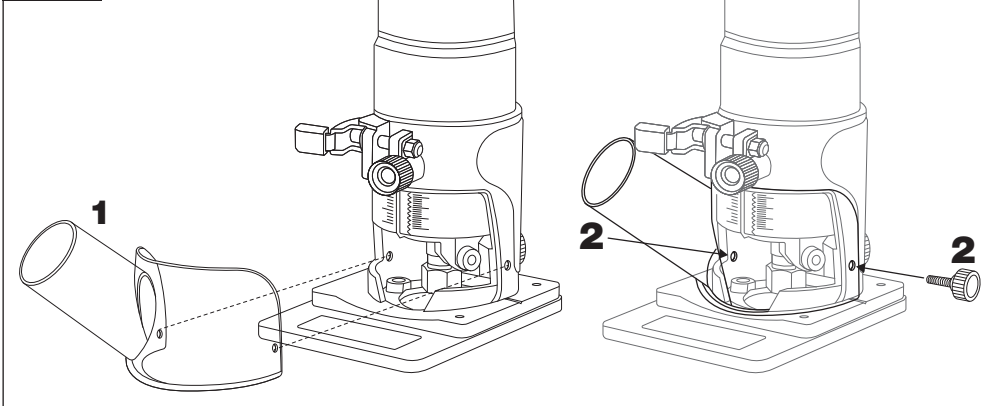
**Fig. 20c**



**Fig. 21**

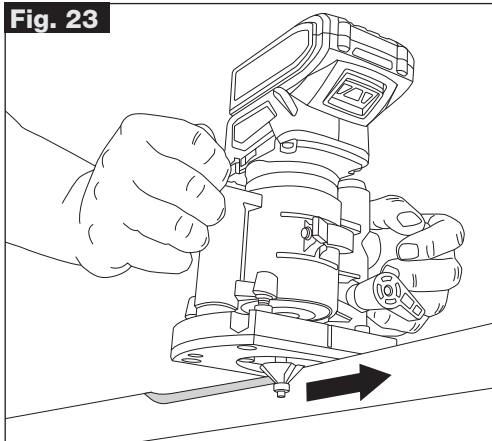


**Fig. 22**

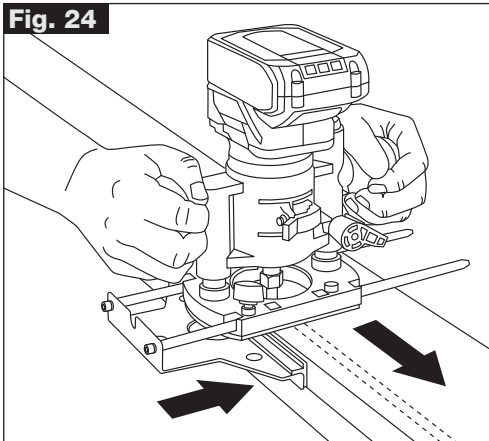




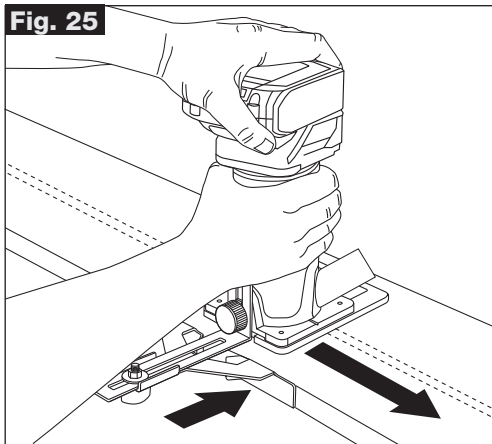
**Fig. 23**



**Fig. 24**

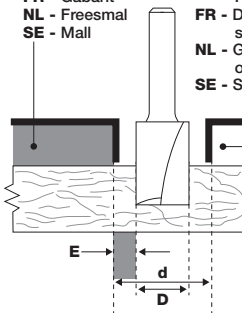


**Fig. 25**



**Fig. 26**

- EN - Template
  - DE - Schablone
  - FR - Gabarit
  - NL - Freesmal
  - SE - Mall
- EN - Guide bush fitted to router
  - DE - Führungsbuchse am Routermontiert
  - FR - Douille de guidage montée sur le routeur
  - NL - Geleidebus gemonteerd op bovenfrees
  - SE - Styrbussning monterad på fräs



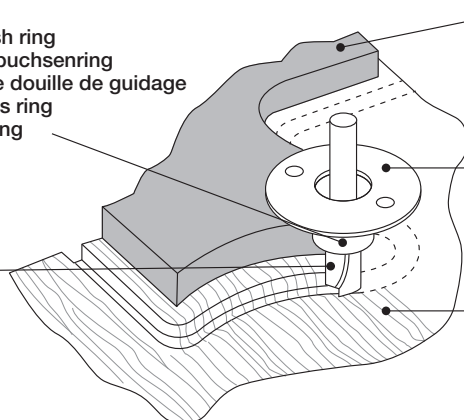
- EN - Formula
- DE - Formel
- FR - Formule
- NL - Formule
- SE - Formel

$$E = \frac{(d-D)}{2}$$

**Fig. 26a**

- EN - Guide bush ring
- DE - Führungsbuchsenring
- FR - Anneau de douille de guidage
- NL - Geleidebus ring
- SE - Styrbussring

- EN - Cutter
- DE - Fräser
- FR - Fraise
- NL - Frees
- SE - Fräs

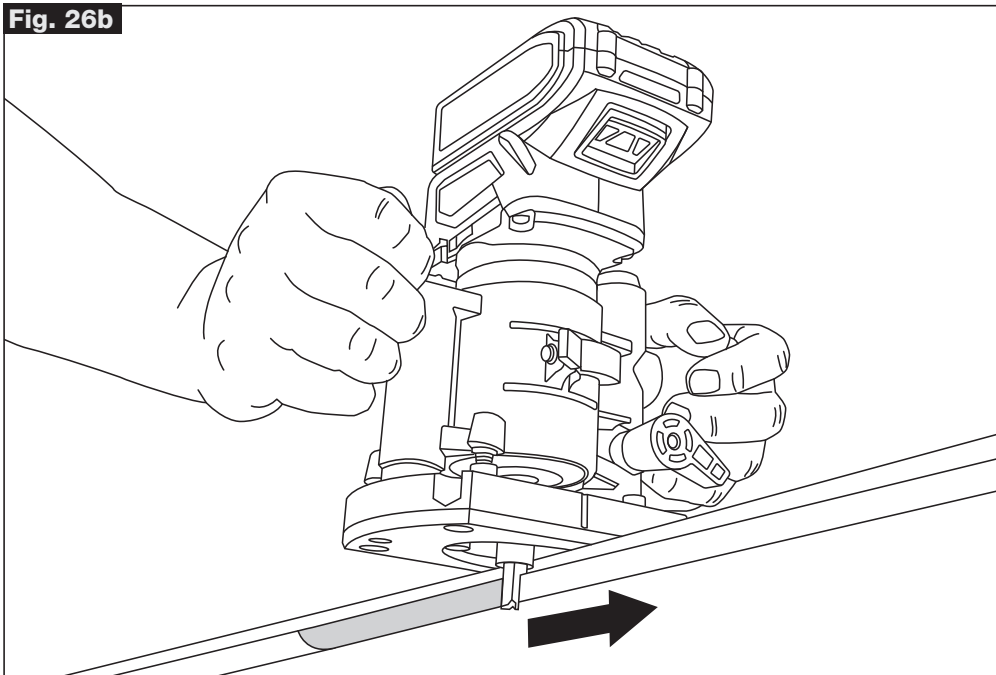


- EN - Template
- DE - Schablone
- FR - Gabarit
- NL - Freesmal
- SE - Mall

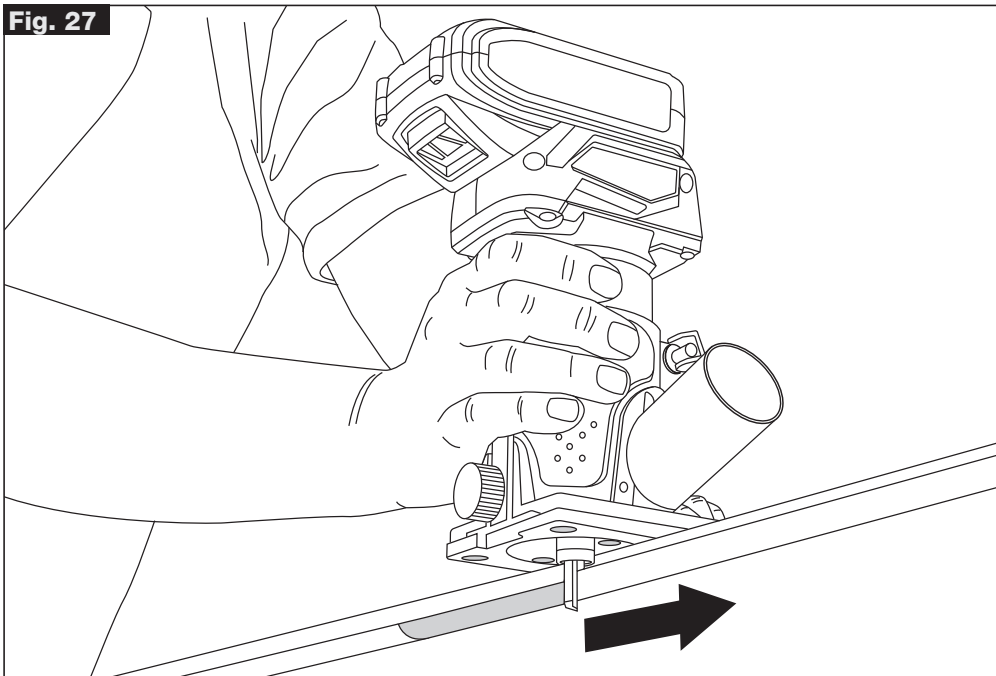
- EN - Guide bush
- DE - Führungsbuchse
- FR - Bague guide
- NL - Kopieerring
- SE - Styrbussning

- EN - Workpiece
- DE - Werkstück
- FR - Pièce
- NL - Werkstuk
- SE - Arbetsstycke

**Fig. 26b**



**Fig. 27**



## EN – T18S/R14

Thank you for purchasing this Trend product, we hope you enjoy many years of creative and productive use.

Please remember to return your guarantee card within 28 days of purchase.

### TECHNICAL DATA

Voltage	VDC	18
Battery type		Li-Ion
Plunge carriage stroke	mm	60
Collet size UK & Eire	mm	6.35 (1/4-inch)
Collet size Europe	mm	8
No load speed	min-1	10,000 – 30,000
Plunge base cutter diameter max.	mm	38.1
Trim base Cutter Diameter max.		37.2
Plunge base Weight	kg	2.25
Trim base Weight		1.36
Battery*		
Capacity of the battery	Ah	2
	Ah	4
	Ah	5
Charger*		
Input voltage	V	220 - 240
Mains frequency	Hz	50/60
Output voltage	V	21
Output current	A	6
Charge time T18S/BA2A**	min	32
Charge time T18S/BA4AM**	min	48
Charge time T18S/BA5A**	min	54
* only for models equipped with battery and charger		
** charging time applies only to the battery with a capacity listed in table		
Noise values and vibration values (triax vector sum) according to EN 62841-2-17		

Emission sound pressure level $L_{pA}$ (uncertainty for the given sound pressure) $K_{pA}$	dB(A)	92.7 3
Sound power level $L_{WA}$ (uncertainty for the given sound pressure) $K_{WA}$	dB(A)	103.7 3
Vibration emission Value $a_h$ = Uncertainty K =	$m/s^2$	2.549 1.5

The vibration and/or noise emission level given in this information sheet has been measured in accordance with a standardised test given in EN62841 and may be used to compare one tool with another. It may be used for a preliminary assessment of exposure.



**WARNING:** The declared vibration emission level represents the main application of the tool. However if the tool is used for different applications, with different accessories or poorly maintained, the vibration emission may differ.

This may significantly increase the exposure level over the total working period. An estimation of the level of exposure to vibration should also take into account the times when the tool is switched off or when it is running but not actually doing the job. This may significantly reduce the exposure level over the total working period. Identify additional safety measures to protect the operator from the side effects of vibration such as: maintain the tool and the accessories, keep hands warm, organisation of work patterns.

### EC DECLARATION OF CONFORMITY MACHINERY DIRECTIVE



### CORDLESS ROUTER T18S/R14

Trend declares that the product described under Technical Data is in compliance with 2006/42/EC, and has been designed in accordance with EN 62841-1:2015, EN 62841-2-17:2017

These products also comply with Directive 2014/30/EU and 2011/65/EU. For more information please contact Trend at the following address or refer to back of manual. The undersigned make this declaration on behalf of Trend Tool Technology Ltd.

Neil McMillan  
Technical Director

Trend Tool Technology Ltd  
Odhams Trading Estate,  
Watford, WD24 7TR,  
England  
01/08/2021

**Technical File Contact**  
Trend Tool Technology Ltd  
3rd Floor, Kilmore House,  
Park Lane, Spencer Dock,  
Dublin 1, Ireland

**UK UK DECLARATION OF  
CA CONFORMITY**

The undersigned, representing the following manufacturer

**Manufacturer:**

Trend Tool Technology Ltd, Watford, England WD24 7TR declares that the product(s):

**Product Identification:**

Product: Cordless Router

Brand: Trend

Model: T18S/R14

Conforms to the following UK Regulations

- The Supply of Machinery (Safety) Regulations, 2008, S.I. 2008/1597 (as amended).
- Electromagnetic Compatibility Regulations, 2016, S.I. 2016/1901 (as amended)

and the following designated standards:

BS EN 55014-1:2017+A11:2020

BS EN 55014-2:2015.

- The Restriction of the Use of Certain Hazardous Substances in Electrical and Electronic Equipment Regulations 2012, S.I. 2012/3032 (as amended).

and the following Designated Standards:

S.I. 2008/1597: EN 62841-1:2015

EN 62841-2-17:2017

The undersigned is responsible for compilation of the technical file and makes this declaration on behalf of Trend Tool Technology Ltd.



Neil McMillan  
Technical Director

Trend Tool Technology Ltd,  
Odams Trading Estate,  
Watford, WD24 7TR,  
England

01/08/2021



**WARNING:** To reduce the risk of injury, read the instruction manual.

**Definitions: Safety Guidelines**

The definitions below describe the level of severity for each signal word. Please read the manual and pay attention to these symbols.



**DANGER:** Indicates an imminently hazardous situation which, if not avoided, **will** result in **death or serious injury**.



**WARNING:** Indicates a potentially hazardous situation which, if not avoided, **could** result in **death or serious injury**.



**CAUTION:** Indicates a potentially hazardous situation which, if not avoided, **may** result in **minor or moderate injury**.



**NOTICE:** Indicates a practice **not related to personal injury** which, if not avoided, **may** result in **property damage**.



Denotes risk of electric shock.



Denotes risk of fire.



**GENERAL POWER TOOL SAFETY  
WARNINGS**



**WARNING:** Read all safety warnings, instructions, illustrations and specifications provided with this power tool. Failure to follow all instructions listed below may result in electric shock, fire and/or serious injury.

**SAVE ALL WARNINGS AND  
INSTRUCTIONS FOR FUTURE  
REFERENCE**

The term "power tool" in the warnings refers to your mains- operated (corded) power tool or battery-operated (cordless) power tool.

**1) Work Area Safety**

**a) Keep work area clean and well lit.** Cluttered or dark areas invite accidents.

**b) Do not operate power tools in explosive atmospheres, such as in the presence of flammable liquids, gases or dust.** Power tools create sparks which may ignite the dust or fumes.

**c) Keep children and bystanders away while operating a power tool.** Distractions can cause you to lose control.

**2) Electrical Safety**

**a) Power tool plugs must match the outlet. Never modify the plug in any way. Do not use any adapter plugs with earthed (grounded) power tools.** Unmodified plugs and matching outlets will reduce risk of electric shock.

**b) Avoid body contact with earthed or grounded surfaces such as pipes, radiators, ranges and refrigerators.** There is an increased risk of electric shock if your body is earthed or grounded.

**c) Do not expose power tools to rain or wet conditions.** Water entering a power tool will increase the risk of electric shock.

**d) Do not abuse the cord. Never use the cord for carrying, pulling or unplugging the power tool. Keep cord away from heat, oil, sharp edges or moving parts.** Damaged or entangled cords increase the risk of electric shock.

**e) When operating a power tool outdoors, use an extension cord suitable for outdoor use.** Use of a cord suitable for outdoor use reduces the risk of electric shock.

**f) If operating a power tool in a damp location is unavoidable, use a residual current device (RCD) protected supply.** Use of an RCD reduces the risk of electric shock.

### 3) Personal Safety

**a) Stay alert, watch what you are doing and use common sense when operating a power tool. Do not use a power tool while you are tired or under the influence of drugs, alcohol or medication.** A moment of inattention while operating power tools may result in serious personal injury.

**b) Use personal protective equipment. Always wear eye protection.** Protective equipment such as dust mask, non-skid safety shoes, hard hat or hearing protection used for appropriate conditions will reduce personal injuries.

**c) Prevent unintentional starting. Ensure the switch is in the off-position before connecting to power source and/or battery pack, picking up or carrying the tool.** Carrying power tools with your finger on the switch or energising power tools that have the switch on invites accidents.

**d) Remove any adjusting key or wrench before turning the power tool on.** A wrench or a key left attached to a rotating part of the power tool may result in personal injury.

**e) Do not overreach. Keep proper footing and balance at all times.** This enables better control of the power tool in unexpected situations.

**f) Dress properly. Do not wear loose clothing or jewellery. Keep your hair and clothing away from moving parts.** Loose clothes, jewellery or long hair can be caught in moving parts.

**g) If devices are provided for the connection of dust extraction and collection facilities, ensure these are connected and properly used.** Use of dust collection can reduce dust-related hazards.

**h) Do not let familiarity gained from frequent use of tools allow you to become complacent and ignore tool safety principles.** A careless action can cause severe injury within a fraction of a second.

### 4) Power Tool Use and Care

**a) Do not force the power tool. Use the correct power tool for your application.** The correct power tool will do the job better and safer at the rate for which it was designed.

**b) Do not use the power tool if the switch does not turn it on and off.** Any power tool that cannot be controlled with the switch is dangerous and must be repaired.

**c) Disconnect the plug from the powersource and/or the battery pack, if detachable, from the power tool before making any adjustments, changing accessories, or storing power tools.** Such preventive safety measures reduce the risk of starting the power tool accidentally.

**d) Store idle power tools out of the reach of children and do not allow persons unfamiliar with the power tool or these instructions to operate the power tool.** Power tools are dangerous in the hands of untrained users.

**e) Maintain power tools and accessories. Check for misalignment or binding of moving parts, breakage of parts and any other condition that may affect the power tool's operation. If damaged, have the power tool repaired before use.** Many accidents are caused by poorly maintained power tools.

**f) Keep cutting tools sharp and clean.** Properly maintained cutting tools with sharp cutting edges are less likely to bind and are easier to control.

**g) Use the power tool, accessories and tool bits, etc. in accordance with these instructions, taking into account the working conditions and the work to be performed.** Use of the power tool for operations different from those intended could result in a hazardous situation.

**h) Keep handles and grasping surfaces dry, clean and free from oil and grease.** Slippery handles and grasping surfaces do not allow for safe handling and control of the tool in unexpected situations.

### 5) Battery Tool Use and Care

**a) Recharge only with the charger specified by the manufacturer.** A charger that is suitable for one type of battery pack may create a risk of fire when used with another battery pack.

**b) Use power tools only with specifically designated battery packs.** Use of any other battery packs may create a risk of injury and fire.

**c) When battery pack is not in use, keep it away from other metal objects, like paper clips, coins, keys, nails, screws or other small metal objects,**

that can make a connection from one terminal to another. Shorting the battery terminals together may cause burns or a fire.

**d) Under abusive conditions, liquid may be ejected from the battery; avoid contact. If contact accidentally occurs, flush with water. If liquid contacts eyes, additionally seek medical help.**

Liquid ejected from the battery may cause irritation or burns.

**e) Do not use a battery pack or tool that is damaged or modified.** Damaged or modified batteries may exhibit unpredictable behaviour resulting in fire, explosion or risk of injury.

**f) Do not expose a battery pack or tool to fire or excessive temperature.** Exposure to fire or temperature above 130 °C may cause explosion.

**g) Follow all charging instructions and do not charge the battery pack or tool outside the temperature range specified in the instructions.**

Charging improperly or at temperatures outside the specified range may damage the battery and increase the risk of fire.

#### 6) Service

**a) Have your power tool serviced by a qualified repair person using only identical replacement parts.** This will ensure that the safety of the power tool is maintained.

**b) Never service damaged battery packs.** Service of battery packs should only be performed by the manufacturer or authorized service providers.

### Additional Specific Safety Rules for Compact Routers

• **Use clamps or another practical way to secure and support the workpiece to a stable platform.**

Holding the work by hand or against your body leaves it unstable and may lead to loss of control.

• **DO NOT cut metal.**

• **Keep handles and gripping surfaces dry, clean, and free from oil and grease.** This will enable better control of the tool.

• **Maintain firm grip with both hands on the tool to resist starting torque.** Maintain a firm grip on the tool at all times while operating.

• **Always follow the bit manufacturer's speed recommendations as some bit designs require specific speeds for safety or performance.** If you are unsure of the proper speed or are experiencing any type of problem, contact the bit manufacturer.

• **Keep hands away from cutting area. Never reach under the workpiece for any reason.** Keep the router base firmly in contact with the workpiece when cutting.

• **Never run the motor unit when it is not inserted**

**in one of the router bases.** The motor is not designed to be handheld.

- **Keep cutting pressure constant.** Do not overload motor.
- **Use sharp bits.** Dull bits may cause the router to swerve or stall under pressure.
- **Be sure that the motor has stopped completely before you lay the router down.** If the bit is still spinning when the tool is laid down, it could cause injury or damage.
- **Be sure that the router bit is clear of the workpiece before starting the motor.** If the bit is in contact with the workpiece when the motor starts it could make the router jump, causing damage or injury.
- **ALWAYS remove the battery before making adjustments or changing bits.**
- **Keep hands clear of bits when motor is running to prevent personal injury.**
- **Never touch the bit immediately after use. It may be extremely hot.**
- **Provide clearance under workpiece for router bit when through-cutting.**
- **Tighten collet nut securely to prevent the bit from slipping.**
- **Never tighten collet nut without a bit.**
- **Do not use router bits with a diameter in excess of 35 mm in this tool.**
- **Avoid climb-cutting (cutting in direction opposite than shown in Figure 20a). Climb-cutting increases the chance for loss of control resulting in possible injury.** When climb-cutting is required (backing around a corner), exercise extreme caution to maintain control of router. Make smaller cuts and remove minimal material with each pass.
- Always use straight-cutters, rabbet-cutters, profile cutters, slotter cutters or grooved knives with a shank diameter that corresponds to the size of the collet in your tool.
- Always use bits suitable for a speed of min. 30000 min-1 and marked accordingly.
- **Do not hand-hold the router in an upside-down or horizontal position.** The motor can separate from the base if not properly attached according to the instructions.
- Before starting the motor clear the work area of all foreign objects.
- **Always keep the chip shield (if included) clean and in place.**
- **Do not press spindle lock button while the motor is running. Doing so can damage the spindle lock.**
- **Always make sure the work surface is free from nails and other foreign objects.** Cutting into a nail can cause the bit and the tool to jump.

## RESIDUAL RISKS

In spite of the application of the relevant safety regulations and the implementation of safety devices, certain residual risks cannot be avoided. These are:

- Impairment of hearing.
- Risk of personal injury due to flying particles.
- Risk of burns due to accessories becoming hot during operation.
- Risk of personal injury due to prolonged use.

## SAVE THESE INSTRUCTIONS



### Electrical Safety

The electric motor has been designed for one voltage only. Always check that the battery pack voltage corresponds to the voltage on the rating plate. Also make sure that the voltage of your charger corresponds to that of your mains.



Your Trend charger is double insulated in accordance with EN60335; therefore no earth wire is required.

If the supply cord is damaged, it must be replaced by a specially prepared cord available through the Trend service organisation.

### Mains Plug Replacement (U.K. & Ireland Only)

If a new mains plug needs to be fitted:

- Safely dispose of the old plug.
- Connect the brown lead to the live terminal in the plug.
- Connect the blue lead to the neutral terminal.



**WARNING:** No connection is to be made to the earth terminal. Follow the fitting instructions supplied with good quality plugs. Recommended fuse: 3A.

## Using an Extension Cable

An extension cord should not be used unless absolutely necessary. Use an approved extension cable suitable for the power input of your charger (see **Technical Data**). The minimum conductor size is 1mm<sup>2</sup>; the maximum length is 30m. When using a cable reel, always unwind the cable completely.

## Important Safety

### Instructions for All Battery Chargers

#### SAVE THESE INSTRUCTIONS:

This manual contains important safety and operating instructions for compatible battery chargers (refer to Technical Data).

- Before using charger, read all instructions and cautionary markings on charger, battery pack, and product using battery pack.



**WARNING:** Shock hazard. Do not allow any liquid to get inside charger. Electric shock may result.



**WARNING:** We recommend the use of a residual current device with a residual current rating of 30mA or less.



**CAUTION:** Burn hazard. To reduce the risk of injury, charge only Trend rechargeable batteries. Other types of batteries may burst causing personal injury and damage.



**CAUTION:** Children should be supervised to ensure that they do not play with the appliance.

**NOTICE:** Under certain conditions, with the charger plugged in to the power supply, the charger can be shorted by foreign material. Foreign materials of a conductive nature such as, but not limited to, grinding dust, metal chips, steel wool, aluminum foil, or any buildup of metallic particles should be kept away from charger cavities. Always unplug the charger from the power supply when there is no battery pack in the cavity. Unplug charger before attempting to clean.

- **Young children and the infirm.** This appliance is not intended for use by young children or infirm persons without supervision.
- This product is not intended for use by persons (including children) suffering from diminished physical, sensory or mental abilities, or for lack of experience and/or for want of knowledge or skills unless they are supervised by a person responsible for their safety. Children should never be left alone to play with this product.
- **DO NOT attempt to charge the battery pack with any chargers other than the ones in this manual.** The charger and battery pack are specifically designed to work together.
- **These chargers are not intended for any uses other than charging Trend rechargeable batteries.** Any other uses may result in risk of fire, electric shock or electrocution.
- **Do not expose charger to rain or snow.**
- **Pull by plug rather than cord when disconnecting charger.** This will reduce risk of damage to electric plug and cord.
- **Make sure that cord is located so that it will not be stepped on, tripped over, or otherwise subjected to damage or stress.**
- **Do not use an extension cord unless it is absolutely necessary.** Use of improper extension

cord could result in risk of fire, electric shock, or electrocution


- **Do not place any object on top of charger or place the charger on a soft surface that might block the ventilation slots and result in excessive internal heat.** Place the charger in a position away from any heat source. The charger is ventilated through slots in the top and the bottom of the housing.
- **Do not operate charger with damaged cord or plug** — have them replaced immediately.
- **Do not operate charger if it has received a sharp blow, been dropped, or otherwise damaged in any way.** Take it to an authorised service centre.
- **Do not disassemble charger; take it to an authorised service centre when service or repair is required.** Incorrect reassembly may result in a risk of electric shock, electrocution or fire.
- In case of damaged power supply cord the supply cord must be replaced immediately by the manufacturer, its service agent or similar qualified person to prevent any hazard.
- **Disconnect the charger from the outlet before attempting any cleaning. This will reduce the risk of electric shock.** Removing the battery pack will not reduce this risk.
- **NEVER** attempt to connect 2 chargers together.
- **The charger is designed to operate on standard 230V household electrical power. Do not attempt to use it on any other voltage.** This does not apply to the vehicular charger.
- **Take care to ensure that the charger is standing in a steady, secure position.** A falling battery or charger may present a risk of injury to yourself and/or others.

## SAVE THESE INSTRUCTIONS

### Chargers

Trend chargers require no adjustment and are designed to be as easy as possible to operate.

The T18S/CH6A charger accepts 18V Li-Ion Trend battery packs (T18S/BA2A, T18S/BA4AM and T18S/BA5A).

 **WARNING:** Only charge in compatible 18V chargers. Use of other chargers may result in fire, damage or serious personal injury.

### Charging a Battery and Operation - (Fig. 4 & 4d)

- The battery pack for this tool has been shipped in a low charge condition to prevent possible problems. Therefore, you should charge it until the green LED on

the front right hand side of the charger comes on.

- **NOTE:** Batteries will not reach full charge the first time they are charged. Allow several cycles (operation followed by recharging) for them to become fully charged.
- First read the safety instructions then follow the charging instructions.
- Plug the charger into a standard 230V~50Hz mains socket outlet, the green LED on the front left hand side of the charger will illuminate.
- Do not allow the cable to become knotted or kinked.
- Place the battery pack into the charger base. (Note the battery has raised ribs which allows it to fit into the charger only one way). Time the charge 32, 48, 54 minutes only.
- The red LED on the front right hand side of the charger will illuminate to indicate charging is in progress. A green LED will illuminate when the battery is fully charged.
- Unplug the charger when not in use and store it in a suitable storage cabinet.
- Avoid charging your battery in freezing conditions as charging power will not be sufficient.
- When charging more than one battery pack in succession allow at least 30 minutes for the charger to cool down before charging an additional battery.
- Always remove the battery pack and store it safely when the tool is not in use.



**CAUTION:** If at any point during the charging process none of the LEDs are lit, remove the battery pack from the charger to avoid damaging the product. DO NOT insert another battery.

### Cooling System

The charger is equipped with an internal fan designed to cool the charger. Never operate the charger if the fan does not operate properly or if ventilation slots are blocked. Do not permit foreign objects to enter the interior of the charger.

### Hot/cold Pack Delay

When the charger detects a battery pack that is too hot or too cold, it automatically starts a Hot/Cold Pack Delay, suspending charging until the battery pack has reached an appropriate temperature. The charger then automatically switches to the pack charging mode. This feature ensures maximum battery pack life.

### Electronic Protection system

Trend Li-Ion tools are designed with an Electronic Protection System that will protect the battery pack against overloading, overheating or deep discharge.

The tool will automatically turn off if the Electronic Protection System engages.



### Battery Charging Indoors

This charger is designed to be used indoors. We do not recommend that it is used inside your home. Ideally batteries should be charged on a bench in a workshop, garage or shed. If the charging operation is to be carried out in your home the area must be well ventilated and the charger must be placed on a non combustible surface ensuring that the ventilation slots are not blocked

### Wall Mounting

These chargers are designed to be wall mountable or to sit upright on a table or work surface. If wall mounting, locate the charger within reach of an electrical outlet, and away from a corner or other obstructions which may impede air flow. Use the back of the charger as a template for the location of the mounting screws on the wall. Mount the charger securely using suitable fixings depending on wall type, a head diameter of 7 – 9mm and length of 25mm is recommended. Leave a suitable length of the screw exposed to allow the charger to be fitted. Align the slots on the back of the charger with the exposed screws and fully engage them in the slots.

### Charger Cleaning Instructions



**WARNING:** Shock hazard. Disconnect the charger from the AC outlet before cleaning. Dirt and grease may be removed from the exterior of the charger using a cloth or soft non-metallic brush. Do not use water or any cleaning solutions. Never let any liquid get inside the tool; never immerse any part of the tool into a liquid.

### Battery Packs

#### Important Safety Instructions for All Battery Packs

When ordering replacement battery packs, be sure to include product reference and voltage.

The battery pack is not fully charged out of the carton. Before using the battery pack and charger, read the safety instructions below. Then follow charging procedures outlined.

### READ ALL INSTRUCTIONS

- **Do not charge or use battery in explosive atmospheres, such as in the presence of flammable liquids, gases or dust.** Inserting or removing the battery from the charger may ignite the dust or fumes.
- **Never force battery pack into charger. Do not modify battery pack in any way to fit into a non-compatible charger as battery pack may rupture causing serious personal injury.**
- Charge the battery packs only in Trend chargers.
- **DO NOT** splash or immerse in water or other liquids.

- **Do not store or use the tool and battery pack in locations where the temperature may fall below 4°C (34°F) (such as outside sheds or metal buildings in winter), or reach or exceed 40°C (104°F) (such as outside sheds or metal buildings in summer).**
- **Do not incinerate the battery pack even if it is severely damaged or is completely worn out.** The battery pack can explode in a fire. Toxic fumes and materials are created when lithium-ion battery packs are burned.
- **If battery contents come into contact with the skin, immediately wash area with mild soap and water.** If battery liquid gets into the eye, rinse water over the open eye for 15 minutes or until irritation ceases. If medical attention is needed, the battery electrolyte is composed of a mixture of liquid organic carbonates and lithium salts.
- **Contents of opened battery cells may cause respiratory irritation.** Provide fresh air. If symptoms persists, seek medical attention.



**WARNING:** Burn hazard. Battery liquid may be flammable if exposed to spark or flame.



**WARNING:** Never attempt to open the battery pack for any reason. If battery pack case is cracked or damaged, do not insert into charger. Do not crush, drop or damage battery pack. Do not use a battery pack or charger that has received a sharp blow, been dropped, run over or damaged in any way (i.e., pierced with a nail, hit with a hammer, stepped on). Electric shock or electrocution may result. Damaged battery packs should be returned to service centre for recycling.



**WARNING:** Fire hazard. Do not store or carry the battery pack so that metal objects can contact exposed battery terminals. For example, do not place the battery pack in aprons, pockets, tool boxes, product kit boxes, drawers, etc., with loose nails, screws, keys, etc.



**CAUTION:** When not in use, place tool on its side on a stable surface where it will not cause a tripping or falling hazard. Some tools with large battery packs will stand upright on the battery pack but may be easily knocked over.

### Battery Operation

#### Charge Status

To display the amount of charge left in the battery, press the charge level indicator button, (Fig.2). Fig. 2a shows the relation between the LED indication and charge left.

**NOTE:** The battery charge level indicator is only an indication of the charge left on the battery pack. It does not indicate tool functionality and is subject to variation based on product components, temperature and end-user application.

### Self-Discharge

A lithium battery can self discharge and lose its stored charge. Typically it can lose approximately 5% of its charge in the first month after fully charging (when stored at room temperature), and then loses it by a further 3% per month. When stored at higher temperatures the self-discharge rate will be accelerated.

### Transportation



**WARNING: Fire hazard.** Transporting batteries can possibly cause fire if the battery terminals inadvertently come in contact with conductive materials. When transporting batteries, make sure that the battery terminals are protected and well insulated from materials that could contact them and cause a short circuit.

**NOTE:** Lithium-ion batteries should not be put in checked baggage.

Trend batteries comply with all applicable shipping regulations as prescribed by industry and legal standards which include UN Recommendations on the Transport of Dangerous Goods; International Air Transport Association (IATA) Dangerous Goods Regulations, International Maritime Dangerous Goods (IMDG) Regulations, and the European Agreement Concerning The International Carriage of Dangerous Goods by Road (ADR). Lithium-ion cells and batteries have been tested to section 38.3 of the UN Recommendations on the Transport of Dangerous Goods Manual of Tests and Criteria.

In most instances, shipping a Trend battery pack will be excepted from being classified as a fully regulated Class 9 Hazardous Material. In general, only shipments containing a lithium-ion battery with an energy rating greater than 100 Watt Hours (Wh) will require being shipped as fully regulated Class 9.

All lithium-ion batteries have the Watt Hour rating marked on the pack. Furthermore, due to regulation complexities, Trend does not recommend air shipping lithium-ion battery packs alone regardless of Watt Hour rating. Shipments of tools with batteries (combo kits) can be air shipped as excepted if the Watt Hour rating of the battery pack is no greater than 100 Whr.

Regardless of whether a shipment is considered excepted or fully regulated, it is the shipper's responsibility to consult the latest regulations for packaging, labelling/markings and documentation requirements.

The information provided in this section of the manual is provided in good faith and believed to be accurate at the time the document was created. However, no

warranty, expressed or implied, is given. It is the buyer's responsibility to ensure that its activities comply with the applicable regulations.

### Storage Recommendations

The best storage place is one that is cool and dry away from direct sunlight and excess heat or cold. For optimum battery performance and life, store battery packs at room temperature when not in use.

For long storage, it is recommended to store a fully charged battery pack in a cool, dry place out of the charger for optimal results.

**NOTE:** Battery packs should not be stored completely depleted of charge. The battery pack will need to be recharged before use.

### Labels on Charger and Battery Pack

In addition to the pictographs used in this manual, the labels on the charger and the battery pack may show the following pictographs: -



Read instruction manual before use.



See Technical Data for charging time.



Battery charging.



Battery charged.



Battery defective.



Delay charge (Battery cooling or too cold battery).



Do not probe with conductive objects.



Do not charge damaged battery packs.



Do not expose to water.



Have defective cords replaced immediately.



Charge only between 4°C and 40°C.



Only for indoor use.



Li-Ion Discard the battery pack with due care for the environment.



Do not incinerate the battery pack.

## ITEMS ENCLOSED

- 1 x Router body
- 1 x Router plunge base
- 1 x Router trim base
- 1 x Collet ¼-inch (6.35mm) UK, 8mm Europe
- 1 x Plunge base side fence
- 1 x Trim base side fence
- 1 x Line up cone and pin
- 1 x Guide bush 16mm
- 1 x Spanner
- 1 x Dust spout for plunge base
- 1 x Dust spout for trim base
- 1 x 4Ah slimline battery (not Body only models)
- 1 x Charger 6A (not Body only models)
- 1 x Tough Protective Case

**NOTE:** Battery packs, chargers and kit boxes are not included with B models.

- Check for damage to the tool, parts or accessories which may have occurred during transport.
- Take the time to thoroughly read and understand this manual prior to operation.

## MARKINGS ON TOOL

The following pictograms are shown on the tool:



Read instruction manual before use.



Wear ear protection.



Wear eye protection.



Wear hand protection.

### Date Code Position

The year of manufacture is on the rating plate.

## DESCRIPTION OF PARTS - (Fig. 1)

- A.** On / Off button
- B.** Lock button
- C.** Variable speed dial
- D.** Motor body
- E.** Motor body rack
- F.** Collet
- G.** Tough Protective Case
- H.** Spindle lock button
- I.** Spindle
- J.** Work lights
- K.** Battery port
- L.** Plunge base plunge locking lever
- M.** Plunge base
- N.** Plunge base side fence knobs
- O.** Plunge base turret stop
- P.** Plunge base depth stop
- Q.** Depth stop micro adjustment knob

- R.** Depth stop indicator
- S.** Depth stop locking knob
- T.** Depth stop scale
- U.** Plunge base body clamp
- V.** Plunge base side handles
- W.** Plunge base slider
- X.** Plunge base fixing screws
- Y.** Plunge base parallel side fence
- Z.** Trim base
- AA.** Trim base body clamp
- BB.** Trim base slider
- CC.** Trim base pinion and knob
- DD.** Trim base slider fixing screws
- EE.** Trim base parallel side fence
- FF.** Trim base parallel side fence locking knob
- GG.** Guide bush centring pin ¼-inch/8mm
- HH.** Guide bush centring cone
- II.** Collet nut spanner
- JJ.** Guide bush 16mm
- KK.** Guide bush fixing screws
- LL.** Plunge base dust spout
- MM.** Trim base dust spout
- NN.** Trim base dust spout knob
- OO.** Battery (not Body only models)
- PP.** Charger (not Body only models)

## INTENDED USE

This cordless sander has been designed for sanding wood, metal, plastics and painted surfaces.

**DO NOT** use under wet conditions or in the presence of flammable liquids or gases.

**DO NOT** let children come into contact with the tool. Supervision is required when inexperienced operators use this tool.

- **Young children and the infirm.** This appliance is not intended for use by young children or infirm persons without supervision.

- This product is not intended for use by persons (including children) suffering from diminished physical, sensory or mental abilities; lack of experience, knowledge or skills unless they are supervised by a person responsible for their safety. Children should never be left alone with this product.

## ASSEMBLY AND ADJUSTMENTS



**WARNING:** To reduce the risk of serious personal injury, turn tool off and disconnect battery pack before making any adjustments or removing/ installing attachments or accessories. An accidental start-up can cause injury.



**WARNING:** Use only Trend battery packs and chargers.

## Battery Charge Level Status

### - (Fig. 2 – 2a)

To display the amount of charge left in the battery, press the charge level indicator button

**NOTE:** The battery charge level indicator is only an indication of the charge left on the battery pack. It does not indicate tool functionality and is subject to variation based on product components, temperature and end-user application.

## Inserting and Removing the Battery Pack from the Tool

### - (Fig. 3 – 3a)

**NOTE:** Make sure your battery pack is fully charged.

**NOTE:** To avoid serious personal injury, always remove the battery pack and keep hands clear of the lock button when carrying or transporting the tool.

Improper installation of the battery pack can cause damage to internal components.

## Inserting the Battery Pack into the Tool - (Fig. 3)

- Align the battery pack with the rails inside the sander's battery port.
- Slide it into the battery port until the battery pack is firmly seated and ensure that you hear the lock snap into place.

## Removing the Battery Pack from the Tool - (Fig. 3a)

- Press the release button and firmly pull the battery pack out of the battery port.
- Insert battery pack into the charger as described in the charger section of this manual.

## Inserting the Motor Body into the Plunge Base - (Fig. 5 & 5b)

- Open the lock lever of the trim base, making sure the spindle lock button is facing front, then insert the tool into the plunge base all the way aligning the groove on the tool with the protrusion on the plunge base.
- Close the lock lever.
- To remove the base, follow the installation procedure in reverse.

## Inserting the Motor Body into the Trim base - (Fig. 5a)

- Open the lock lever of the trim base, making sure the spindle lock button is facing front, then insert the tool into the trim base all the way aligning the groove on the tool with the protrusion on the trim base.
- The Trim base pinion will engage with the rack on the motor. Turn the trim base knob clockwise to lower the router into the base and to set the router height.
- The Trim base pinion will engage with the rack on the motor
- Turn the trim base knob clockwise to lower the router into the base and to set the router height.
- Close the lock lever.
- To remove the base, follow the installation procedure in reverse.

**CAUTION:** When using the tool with the trim base, be sure to install the dust spout on the trim base.

## To adjust the locking clamp lever's clamping force - (Fig. 5c)

- Open the body clamp.
- Using a hex spanner turn locking lever adjustment screw in small increments.
- Turning the screw clockwise tightens the lever, while turning the screw anticlockwise loosens the lever.

## Fitting Router Cutters/Bits

### - (Fig. 6 – 6b)

- Insert at least 3/4 of the shank length of the cutter (1) into the collet.
- Press the spindle lock until the router spindle is locked (you may need to turn the spindle slightly to engage it).
- Tighten the collet nut with the spanner. Do not use excessive force.

## Removing Router Cutters/Bits

### - (Fig. 6 – 6b)

- Press the spindle lock until the router spindle is locked.
- Undo the collet nut with the spanner.
- Keep turning the spanner until the collet nut tightens and then loosens again. This is the fail-safe mechanism releasing the collet.
- The cutter should now slide out.
- Each time you finish using a cutter, remove it and store it in a safe place.



**WARNING:** Do not tighten the collet without a cutter fitted.



**WARNING:** Always use cutters with shanks which match the diameter of the collet.



**WARNING:** Deep cuts should always be routed in several passes.



**CAUTION:** Always be sure that the tool is switched off and the battery cartridge is removed before carrying out any work on the tool.

### Plunge Locking Lever on the Plunge Base - (Fig. 7)

- Excessive force should not be used to clamp the locking lever. Using excessive force may damage the base.
- Push lever down to lock.
- When the locking lever is clamped, the motor should not move in the base.
- Adjustment is needed if the locking lever will not clamp without excessive force or if the motor moves in the base after clamping.

### Centring the Slider on the Plunge Base - (Fig. 8 - 8a)

- If you need to adjust, change, or replace a subbase, a centring tool is recommended. The centring tool consists of a cone and a pin.

To adjust a slider follow the steps below.

- Fit guide bush to slider plate.
- Loosen but do not remove the slider screws so the slider moves freely.
- Insert the pin into the collet and tighten the collet nut.
- Insert the motor body into the base and clamp the locking lever on the base.
- Place the cone on the pin and lightly press down on the cone until it stops. This will centre the subbase.
- While holding down on the cone, tighten the subbase screws.
- See Fitting the Guide Bush to the Plunge Base and Trim Base (Fig. 12).

### Centring the Slider on the Trim Base - (Fig. 9)

- If you need to adjust, change, or replace a subbase,

a centring tool is recommended. The centring tool consists of a cone and a pin.

To adjust a slider follow the steps below. With or without the guide bush fitted.

- Loosen but do not remove the slider screws so the slider moves freely.
- Insert the pin into the collet and tighten the collet nut.
- Insert the motor body into the base and clamp the locking lever on the base.
- Place the cone on the pin and lightly press down on the cone until it stops. This will centre the subbase.
- While holding down on the cone, tighten the subbase screws.
- See Fitting the Guide Bush to the Plunge Base and Trim Base (Fig. 12).

### Installing and Removing Parallel Side Fence on the Plunge Base - (Fig. 10)

A parallel side fence is supplied with the guide rods fitted.

- Loosen the thumb knobs on the plunge base.
- Slide the parallel side fence with rods fitted into the plunge base holes.
- Tighten the thumb knobs temporarily to lock the fence in position.
- To remove the parallel side fence, loosen the thumb knobs and pull the parallel side fence out of the plunge base.

### Installing and Removing Parallel Side Fence on the Trim Base - (Fig. 11 - 11a)

- Assemble the straight guide with the bolt and the knob.
- Attach the straight guide to the trimmer base with the trim base parallel side fence locking knob.

### Fitting the Guide Bush to the Plunge Base and Trim Base - (Fig. 12)

The guide bush allows for repetitive cut with template patterns by using a template.

- Place the guide bush into the recess on the underside of the base, and then secure the guide bush with the two fixing screws.


## Setting Depth of Cut on Plunge Base - (Fig. 13 – 13c)

- Place the machine on the workpiece.
- Pre-set the 3-way turret stop as required.
- Undo the thumb knob for securing the depth stop.
- Undo the plunge locking lever.
- Lower the machine slowly until the cutter just touches the workpiece and secure it with the plunge locking lever.
- The depth stop has an indicator that can be used to align to the scale.
- Raise the depth stop in accordance with the scale for the depth of cut required, and clamp in place with the thumb knob. **The gap between the depth stop and the turret stop screw determines the depth of cut.**

The depth stop includes a micro adjustment facility.

- For fine depth adjustment, turn the micro adjuster knob at the top of the depth.
- To increase the depth, turn the head anti-clockwise. To decrease the depth, turn the head clockwise 1 rotation = 1mm.

The rotating turret stop screws can be used for pre-setting up to three depths of cut. The height can be adjusted using a screwdriver and an 8mm A/F spanner.

 **WARNING:** Do not change the turret stop while the router is running. This will place your hands too near the cutter head.

 **CAUTION:** Turn the router on before plunging the cutter head into the workpiece.

## Adjusting Cutting Depth on Trim Base - (Fig. 14)

- To adjust the cutting depth, open the lock lever, then move the tool base up or down by turning the adjusting knob.
- After the adjustment, close the lock lever firmly

**NOTE:** If the tool is not secured after closing the lock lever, tighten the hex nut, and then close the lock lever.


## Fixing Points for Accessories - (Fig. 15)

The router has two threaded holes M6 in its base that allow fitting of accessories and also fitting to router tables.

## OPERATION



 **WARNING:** Always observe the safety instructions and applicable regulations.

 **WARNING:** To reduce the risk of serious personal injury, turn tool off and disconnect battery pack before making any adjustments or removing/ installing attachments or accessories. An accidental start-up can cause injury.

## Proper Hand Position - (Fig. 16 – 17)

 **WARNING:** To reduce the risk of serious personal injury, ALWAYS use proper hand position as shown.

 **WARNING:** To reduce the risk of serious personal injury, ALWAYS hold securely in anticipation of a sudden reaction.


- When using the plunge base, grasp the side handles firmly as shown in Fig. 16
- When using the fixed base, one hand should be on top of the battery and the other hand around the fixed base, as shown in Fig. 17.

## ON/OFF and Lock Buttons - (Fig. 18)

- To turn on the tool, press the lock/unlock button. The tool turns into the standby mode.
- To start the tool, press the on/off button in the standby mode.
- To stop the tool, press the on/off button again. The tool turns into the standby mode.
- To turn off the tool, press the lock/unlock button in the standby mode.

**NOTE:** If the tool is left for 10 seconds without any operation in the standby mode, the tool automatically turns off and the lamp goes off.

**NOTE:** You can also stop and turn off the tool by pressing the lock/unlock button while the tool is operating.

 **CAUTION:** Before starting the tool, clear the work area of all foreign objects. Also keep firm grip on tool to resist starting torque.



**CAUTION:** To avoid personal injury and/or damage to finished work, always allow the power unit to come to a COMPLETE STOP before putting the tool down.

## Variable Speed Control Dial



- (Fig. 19)

The speed at which the cutter is fed into the wood must not be too fast that the motor slows down, or too slow that the cutter leaves burn marks on the face of the wood. Practice judging the speed by listening to the sound of the motor when routing.

- The rotation speed of the tool can be changed by turning the variable speed dial. The table below shows the number on the dial and the corresponding rotation speed.

**NOTE:** If the tool is operated continuously at low speed for a long time, the motor will get over-loaded, resulting in tool malfunction.

**NOTE:** When changing the speed dial from "6" to "1", turn the dial clockwise. Do not turn the dial clockwise forcibly.

**NOTE:** Make several light passes instead of one heavy pass for better quality work.

## Speed Selection Chart

No.	Speed
1	10,000 Min-1
2	14,000 Min-1
3	18,000 Min-1
4	22,000 Min-1
5	26,000 Min-1
6	30,000 Min-1

	1-24	30,000 (6)	
	24-30	22,000 (4)	
	30-38	18,000 (3)	

Generally, use the lower settings for large diameter cutters and the higher settings for small diameter cutters. The correct setting will also depend on the density of the material, depth of cut and feed speed of the router, as severe loss of rpm denotes motor overload. In most cases the slowest speed required for large cutters with (>=35mm) smaller shank sizes is 14,000 Min-1.

## Electronic Function



The tool is equipped with the electronic functions for easy operation.

- Constant speed control - The speed control function provides the constant rotation speed regardless of load conditions.
- Soft start feature - The soft-start function minimizes start-up shock, and makes the tool start smoothly.

## Direction of Feed - (Fig. 20)



**WARNING:** The direction of routing must always be opposite to the cutter's direction of rotation, otherwise there is a risk of kick-back. .

When routing along an edge, the direction of the router travel should be against that of the rotation of the cutter. This will create the correct cutting action and prevent the cutter 'snatching'. It will also pull the router towards the workpiece and hence the side-fence or guide bearing will be less likely to wander from the edge of the workpiece.

## Installing or Removing the Dust Spout on the Plunge Base - (Fig. 21)



- While holding the tool, attach dust extraction spout into the plunge base.
- Tighten the fixing knob.
- Connect to a suitable dust extractor via the dust extractor dust hose and a power tool adaptor.
- To remove dust spout from the plunge base unscrew fixing knob and remove dust spout.

## Installing or Removing Dust Spout to Trim Base - (Fig. 22)



- While holding the tool, attach dust extraction spout onto the trim base, ensure pin engages in the hole.
- Use trim base dust spout knob to secure by tightening the knob clockwise.
- Connect to a suitable dust extractor via the dust extractor dust hose and a power tool adaptor.
- To remove dust spout from the trim base unscrew the trim base dust spout knob anti-clockwise and remove dust spout.

## Work Lights



**CAUTION:** Do not look in the light or see the source of light directly.

- To turn on the lamp, press the lock/unlock button. To turn off the lamp, press the lock/unlock button again.

**NOTICE: When the tool is overheated, the lamp flickers. Cool down the tool fully before operating the tool again.**

**NOTE:** Use a dry cloth to wipe the dirt off the lens of the lamp. Be careful not to scratch the lens of lamp, or it may lower the illumination.

### **Cutting with the Plunge Base Fitted with a Self-guided Cutter - (Fig. 23)**

- Depress the plunge lock lever and plunge the router down until the cutter reaches the set depth.
- The ball bearing guide on the tool acts as a guide against the material edge.
- Perform the cut.
- At the end of the cut release the plunge lock lever.
- Turn the router off.

### **Cutting with the Trim Base Fitted**

- Set the tool base on the workpiece without the trimmer cutter making any contact. Turn the tool on and wait until the bit attains full speed. Move the tool forward over the workpiece surface. Keep the tool base flush while moving the tool.
- When cutting the edge, be sure to keep the workpiece surface on the left side of the trimmer cutter in the feed direction

**NOTE:** Before cutting on the actual workpiece, it is recommended to make a sample cut. The proper feed speed depends on the trimmer cutter size, the kind of workpiece, and depth of cut. Moving the tool forward too fast may cause a poor quality of cut, or damage to the bit or motor. Moving the tool forward too slowly may burn and mar the cutting surface.

**NOTICE: Since excessive cutting may cause overload of the motor or difficulty in controlling the tool, the depth of cut should not be more than 3 mm at a pass when cutting grooves.** When you wish to cut grooves more than 3 mm deep, make several passes with progressively deeper cutter depth settings.

**NOTE:** Always feed the router opposite to the direction in which the cutter is rotating.

### **Using the Parallel Side Fence with Plunge Base - (Fig. 24)**

- With the side fence fitted to the plunge base.
- Loosen the fence rod knobs on the base and adjust the distance between the cutter and the parallel side

fence. At the desired distance, tighten the fence rod knobs.

- Move the tool with the parallel side fence flush with the side of the workpiece.

**NOTE:** Always feed the router opposite to the direction in which the cutter is rotating.

### **Using the Parallel Side Fence with Trim Base - (Fig. 25)**

- With the side fence fitted to the trim base.
- Loosen the knob on the straight guide and adjust the distance between the cutter and the straight side fence guide. At the desired distance, tighten the knob.
- Move the tool with the parallel side fence flush with the side of the workpiece.

**NOTE:** Always feed the router opposite to the direction in which the cutter is rotating.

### **Using the Guide Bush in Plunge Base - (Fig. 26 - 26b)**

- Choose a cutter with a diameter which will pass through the centre of the guide bush leaving enough clearance.
- Set cutter plunge depth.
- Locate guide bush against template, switch on and plunge cut to the correct depth.
- Feed in the direction as shown.
- At end of cut, release plunge and switch off machine.

**NOTE:** Always feed the router opposite to the direction in which the cutter is rotating.

 **CAUTION: Turn the router on before plunging the cutter head into the workpiece.**

### **Using the Guide Bush in Trim Base - (Fig. 27)**

- Choose a cutter with a diameter which will pass through the centre of the guide bush leaving enough clearance.
- Set cutter depth.
- Locate guide bush against template, switch on
- Feed in the direction as shown.
- At end of cut, switch off machine.


**NOTE:** Always feed the router opposite to the direction in which the cutter is rotating.



## MAINTENANCE


Please use only Trend original spare parts and accessories.

The power tool has been designed to operate over a long period of time with a minimum of maintenance. Continuous satisfactory operation depends upon proper tool care and regular cleaning.

 **WARNING:** To reduce the risk of serious personal injury, turn tool off and disconnect battery pack before making any adjustments or removing/ installing attachments or accessories. An accidental start-up can cause injury.

The charger and battery pack are not serviceable.

Avoid using solvents when cleaning plastic parts. Most plastics are susceptible to damage from various types of commercial solvents and may be damaged by their use. Use clean cloths to remove dirt, dust, oil, grease, etc.

 **WARNING:** Do not at any time let brake fluids, gasoline, petroleum based products, penetrating oils, etc., come in contact with plastic parts. Chemicals can damage, weaken or destroy plastic which may result in serious personal injury.

Electric tools used on fiberglass material, wallboard, spackling compounds, or plaster are subject to accelerated wear and possible premature failure because the fiberglass chips and grindings are highly abrasive to bearings, brushes, commutators, etc. Consequently, we do not recommend using this tool for extended work on these types of materials. However, if you do work with any of these materials, it is extremely important to clean the tool using compressed air.


Always keep your sander clean, regularly clean out the ventilation slots.


Always keep the dust extraction holes in the vibrating plate free of dirt or other obstructions.

## Lubrication

- Your power tool requires no additional lubrication.

## Cleaning

 **WARNING:** Blow dirt and dust out of the main housing with dry air as often as dirt is seen collecting in and around the air vents. Wear approved eye protection and approved dust mask when performing this procedure.

 **WARNING:** Never use solvents or other harsh chemicals for cleaning the non-metallic parts of

the tool. These chemicals may weaken the materials used in these parts. Use a cloth dampened only with water and mild soap. Never let any liquid get inside the tool; never immerse any part of the tool into a liquid.

## Storage

- After use return the tool to its storage box.

## ENVIRONMENTAL PROTECTION



Recycle raw materials instead of disposing as waste.

Accessories and packaging should be sorted for environmental-friendly recycling.

Separate collection. This product must not be disposed of with normal household waste.

## Batteries and the Environment



This unit uses Lithium Ion (Li-Ion) batteries.

When battery pack needs replacing, we recommend the following: Discharge the energy from the batteries by running them down completely and then remove from the tool.

Li-Ion cells are recyclable so do not throw them away with household waste. They may end up in an incinerator or landfill, which must be avoided.

Instead, take the batteries to a Trend Service Agent, your local Trend Stockist or a local recycling station. If necessary contact your local municipality for disposal information. The collected batteries will be disposed of properly and/or used for recycling purposes.

## Household User

Local regulations may provide for separate collection of electrical products from the household, at municipal waste sites or by retailer when you purchase a new product. Please call Trend Customer Services for advice as to how to dispose of unwanted Trend electrical products in an environmentally safe way or visit [www.trend-uk.com](http://www.trend-uk.com)

## Business Users

Please call Trend Customer Services for disposal of unwanted Trend electrical products.

## GUARANTEE

The unit carries a manufacturers guarantee in accordance with the conditions on the enclosed guarantee card.

For the location of your nearest Trend Service Agent, please call Trend Customer Services or see our stockist locator at [www.trend-uk.com](http://www.trend-uk.com)

## DE – T18S/R14

Vielen Dank für den Kauf dieses Trend-Produkts. Wir hoffen, Sie werden das Produkt viele Jahre kreativ und produktiv nutzen.

Bitte schicken Sie die Garantiekarte innerhalb von 28 Tagen nach Kauf des Produkts zurück.

### TECHNICAL DATA

Stromspannung	VDC	18
Batterietyp		Li-Ion
Frässhittlen Hub	mm	60
Spannzange Größe UK u. Republik Irland	mm	6,35 (1/4-Zoll)
Spannzange Größe Euro-pa	mm	8
Leerlaufdrehzahl	Min-1	10.000 – 30.000
Tauchbasis Durchmesser Fräser max.	mm	38.1
Trimmen Base Durchmesser Fräser max.		37.2
Tauchbasis Gewicht		2.25
Trimmen Gewicht		1.36
Batterie*		
Kapazität der Batterie	Ah	2
	Ah	4
	Ah	5
Ladegerät*		
Eingangsspannung	V	220-240
Netzfrequenz	Hz	50/60
Ausgangsspannung	V	21
Ausgangsstrom	A	6
Ladezeit T18S/BA2A	Min	32
Ladezeit T18S/BA4AM	Min	48
Ladezeit T18S/BA5A	Min	54
* nur für Modelle mit Batterie und Ladegerät		
** Ladezeit bezieht sich nur auf eine Batterie mit einer Kapazität aus der Tabelle		
Geräuschwerte und Vibrationenwerte (dreiachsige Vektorsumme) gemäß EN 62841-2-17		

Emissionsschalldruckpegel $L_{pA}$ (Abweichung beim vorgegebenen Schalldruck) $K_{pA}$	dB(A)	92.7 3
Schalldruckpegel $L_{WA}$ (Abweichung beim vorgegebenen Schalldruck) $K_{WA}$	dB(A)	103.7 3
Vibrationsemission Wert $a_h =$ Abweichung $K =$	m/s <sup>2</sup>	2.549 1.5

Die Vibrations- und/oder Geräuschemissionswerte wurden gemäß dem in EN 62841 vorgegebenen Standardtest ermittelt und können zum Vergleich mit anderen Werkzeugen herangezogen werden. Sie können als vorläufige Belastungseinschätzung benutzt werden.



**WARNUNG:** Der angegebene Grad der Vibrationsemissionen bezieht sich auf den Hauptanwendungsbereich des Werkzeugs. Bei Verwendung des Werkzeugs für andere Arbeiten, mit anderem Zubehör oder bei mangelhafter Wartung können die Vibrationsemissionen abweichen.

Dies kann den Belastungsgrad während der gesamten Arbeitszeit erheblich steigern. Eine Einschätzung des Belastungsgrads durch Vibrationen sollte auch berücksichtigen, wie oft das Werkzeug ausgeschaltet wird oder im Leerlauf in Betrieb ist. Dies kann den Belastungsgrad während der gesamten Arbeitszeit erheblich reduzieren.. Um den Anwender vor Nebenwirkungen durch Vibrationen zu schützen bestimmen Sie zusätzliche Schadenverhütungsmaßnahmen wie regelmäßige Wartung des Werkzeugs und des Zubehörs, Hände warm halten, Einrichten von Arbeitsprofilen.

### CE-KONFORMITÄTSERKLÄRUNG

### MASCHINENRICHTLINIE



### KABELLOSER FRÄSER

### T18S/R14

Trend erklärt, dass diese Produkte beschrieben in Technische Daten in Übereinstimmung sind mit: 2006/42/EC, entspricht und in Übereinstimmung mit EN 62841-1:2015, EN 62841-2-17:2017.

Diese Produkte entsprechen auch den Richtlinien 2014/30/EU und 2011/65/EU. Weitere Informationen erhalten Sie bei Trend unter der folgenden Adresse

oder auf der Rückseite der Betriebsanleitung. Die Unterzeichner geben diese Erklärung im Namen von Trend Tool Technology Ltd ab.



Neil McMillan  
Technical Director

Trend Tool Technology Ltd  
Odhams Trading Estate,  
Watford, WD24 7TR,  
England  
01/08/2021

**Ansprechpartner**  
**Technische Datei**  
Trend Tool Technology Ltd  
3rd Floor, Kilmore House,  
Park Lane, Spencer Dock,  
Dublin 1, Ireland



**WARNUNG:** Um Verletzungen zu vermeiden, lesen Sie die Betriebsanleitung.

**Definitionen: Sicherheitsrichtlinien**

Die folgenden Definitionen beschreiben den Schweregrad für jedes Signalwort. Bitte lesen Sie die Betriebsanleitung und achten Sie auf diese Symbole



**GEFAHR:** Weist auf eine potenziell gefährliche Situation hin, die, wenn sie nicht vermieden wird, **zum Tod oder zu schweren Verletzungen führt.**



**WARNUNG:** Weist auf eine potenziell gefährliche Situation hin, die, wenn sie nicht vermieden wird, **zum Tod oder zu schweren Verletzungen führen kann.**



**VORSICHT:** Weist auf eine potenziell gefährliche Situation hin, die, wenn sie nicht vermieden wird, zu **leichten oder mittelschweren Verletzungen führen kann.**



**HINWEIS:** Weist auf eine Praxis hin, die sich nicht auf **Personenschäden** bezieht und die, wenn sie nicht vermieden wird, zu **Sachschäden** führen kann.



Weist auf das Risiko eines Stromschlags hin.



Weist auf eine Brandgefahr hin.



**ALLGEMEINE SICHERHEITSHINWEISE  
FÜR ELEKTROWERKZEUGE**



**WARNUNG:** Lesen Sie alle mit diesem Elektrowerkzeug mitgelieferten Sicherheitshinweise, Anweisungen, technischen Daten und schauen Sie sich die Abbildungen an. Die Nichtbeachtung aller unten aufgeführten Anweisungen kann zu Stromschlag, Feuer und/oder schweren Verletzungen führen.

**BEWAHREN SIE ALLE WARNHINWEISE  
UND ANWEISUNGEN ZUM SPÄTEREN  
NACHSCHLAGEN AUF**

Der Begriff „Elektrowerkzeug“ in allen unten aufgeführten Warnhinweisen bezieht sich auf Ihr netzbetriebenes (kabelgebundenes) oder batteriebetriebenes (kabelloses) Elektrowerkzeug.

**1) Sicherheit am Arbeitsbereich**

**a) Halten Sie den Arbeitsbereich sauber und gut beleuchtet.** Unübersichtliche und dunkle Bereiche können eine Unfallgefahr darstellen.

**b) Betreiben Sie das Elektrowerkzeug nicht in explosionsgefährdeten Umgebungen, z. B. in Gegenwart von brennbaren Flüssigkeiten, Gasen oder Staub.** Elektrowerkzeuge erzeugen Funken, die den Staub oder die Dämpfe entzünden können.

**c) Halten Sie Kinder und umstehende Personen fern, während Sie ein Elektrowerkzeug bedienen.** Ablenkungen können dazu führen, dass Sie die Kontrolle über den Arbeitsgang verlieren.

**2) Elektrische Sicherheit**

**a) Stecker von Elektrowerkzeugen müssen zur Steckdose passen. Verändern Sie niemals den Netzstecker in irgendeiner Weise. Verwenden Sie keine Netzadapter mit geerdeten Elektrowerkzeugen.** Unveränderte Netzstecker und passende Netzsteckdosen verringern das Risiko eines Stromschlags.

**b) Vermeiden Sie Körperkontakt mit geerdeten Oberflächen wie Rohren, Heizkörpern, Herden und Kühlschränken.** Es besteht ein erhöhtes Risiko eines Stromschlags, wenn Ihr Körper geerdet ist.

**c) Setzen Sie das Elektrowerkzeug niemals Regen oder Nässe aus.** Wasser, das in ein Elektrowerkzeug eindringt, erhöht das Risiko eines Stromschlags.

**d) Verwenden Sie das Kabel nicht für andere Zwecke. Verwenden Sie das Kabel niemals zum Tragen, Ziehen oder Herausziehen des Elektrowerkzeugs. Kabel vor Hitze, Öl, scharfen Kanten oder beweglichen Teilen schützen.** Beschädigte oder verworrene Kabel erhöhen das Risiko eines Stromschlags.

**e) Wenn Sie ein Elektrowerkzeug im Freien betreiben, verwenden Sie ein für den Außeneinsatz geeignetes Verlängerungskabel.**

Die Verwendung eines geeigneten Kabels für den Außeneinsatz verringert das Risiko eines Stromschlags.

**f) Wenn die Verwendung eines Elektrowerkzeugs in einer feuchten Umgebung unvermeidbar ist, schließen Sie es nur an eine Stromquelle an, die über einen Fehlerstromschutzschalter (RCD) verfügt.** Der Anschluss an eine Stromquelle mit Fehlerstromschutzschalter reduziert das Risiko eines Stromschlags.

### **3) Persönliche Sicherheit**

**a) Bleiben Sie wachsam, achten Sie auf das, was Sie tun, und nutzen Sie Ihren gesunden Menschenverstand, wenn Sie mit einem Elektrowerkzeug arbeiten. Bedienen Sie keine Elektrowerkzeuge, wenn Sie müde sind oder unter dem Einfluss von Drogen, Medikamenten oder Alkohol stehen.** Ein Moment der Unachtsamkeit während der Arbeit mit einem Elektrowerkzeug kann zu schweren Verletzungen führen.

**b) Verwendung von persönlicher Schutzausrüstung. Tragen Sie immer eine Schutzbrille.** Schutzausrüstung wie Staubmaske, rutschfeste Sicherheitsschuhe, Schutzhelm oder Gehörschutz, die unter angemessenen Bedingungen verwendet werden, verringern Personenschäden.

**c) Unbeabsichtigtes Einschalten vermeiden. Vergewissern Sie sich, dass der Schalter in der Aus-Stellung ist, bevor Sie das Werkzeug an eine Stromquelle anschließen, aufheben oder transportieren.** Der Transport von Elektrowerkzeugen mit Finger am Schalter oder das Anschließen mit eingeschaltetem Schalter kann Unfälle verursachen.

**d) Entfernen Sie alle Einstellschlüssel oder Schraubenschlüssel, bevor Sie das Elektrowerkzeug einschalten.** Ein Schraubenschlüssel oder ein Schlüssel, der an einem rotierenden Teil des Elektrowerkzeugs befestigt ist, kann zu Verletzungen führen.

**e) Überstrecken Sie sich nicht. Achten Sie immer auf einen guten Stand und das Gleichgewicht.** Dies ermöglicht eine bessere Kontrolle des Elektrowerkzeugs in unerwarteten Situationen.

**f) Tragen Sie entsprechende Arbeitskleidung. Tragen Sie keine lose Kleidung oder Schmuck. Halten Sie Haare, Kleidung und Handschuhe von beweglichen Teilen fern.** Lose Kleidung, Schmuck oder lange Haare können sich in beweglichen Teilen verfangen.

**g) Wenn Vorrichtungen für den Anschluss von Entstaubungs- und Absauganlagen vorgesehen sind, stellen Sie sicher, dass diese angeschlossen und ordnungsgemäß verwendet werden.** Die Verwendung dieser Geräte kann staubbedingte Gefahren reduzieren.

**h) Beachten Sie die Sicherheitsrichtlinien auch dann noch, wenn Sie durch dauerhaften Gebrauch**

**eines Werkzeugs mit diesem vertraut sind.** Eine Nachlässigkeit kann im Bruchteil einer Sekunde zu einer Verletzung führen.

### **4) Benutzung und Pflege des Elektrowerkzeugs**

**a) Behandeln Sie das Elektrowerkzeug nicht mit Gewalt. Verwenden Sie die richtige Elektrowerkzeug für Ihre Arbeit.** Das richtige Elektrowerkzeug, das für die entsprechende Aufgabe entwickelt wurde, wird diese besser und sicherer durchführen.

**b) Verwenden Sie das Elektrowerkzeug nicht, wenn es sich nicht über den Netzschalter ein- oder ausschalten lässt.** Jedes Elektrowerkzeug, das nicht über den Schalter ein- oder ausgeschaltet werden kann, stellt eine Gefahr dar und muss repariert werden.

**c) Entfernen Sie den Stecker aus der Stromquelle und/oder die Batterie (wenn abnehmbar) aus dem Elektrowerkzeug, bevor Sie Einstellungen vornehmen, das Zubehör auswechseln oder das Elektrowerkzeug lagern.** Solche präventiven Sicherheitsmaßnahmen verringern das Risiko eines versehentlichen Starts des Elektrowerkzeugs.

**d) Bewahren Sie ungenutzte Elektrowerkzeuge außerhalb der Reichweite von Kindern auf und verweigern Sie Personen, die mit dem Elektrowerkzeug oder diesen Anweisungen nicht vertraut sind, die Nutzung des Werkzeugs.** Elektrowerkzeuge sind in den Händen ungeschulter Benutzer gefährlich.

**e) Wartung von Elektrowerkzeugen und Zubehör. Prüfen Sie die beweglichen Teile auf Fehlausrichtung oder festen Sitz, beschädigte Teile und alle anderen Bedingungen, die den Betrieb des Werkzeugs beeinträchtigen können. Falls beschädigt, lassen Sie das Elektrowerkzeug vor der Verwendung reparieren.** Viele Unfälle werden durch schlecht gewartete Elektrowerkzeuge verursacht.

**f) Halten Sie Schneidwerkzeuge scharf und sauber.** Ordnungsgemäß gewartete Schneidwerkzeuge mit scharfen Schneidkanten fressen sich weniger leicht fest und sind leichter zu kontrollieren.

**g) Verwenden Sie das Elektrowerkzeug, das Zubehör und Werkzeugsätze usw. gemäß diesen Anweisungen unter Berücksichtigung der Arbeitsumstände und der durchzuführenden Arbeiten.** Die Verwendung des Elektrowerkzeugs für andere als die vorgesehene Nutzung könnte zu einer gefährlichen Situation führen.

**h) Halten Sie die Griffe und Griffflächen trocken, sauber und frei von Öl und Fett.** Rutschige Griffe und Griffflächen machen eine sichere Handhabung des Werkzeugs bei unerwarteten Ereignissen unmöglich.

### **5) Benutzung und Pflege der Batterie**

**a) Laden Sie die Batterie nur mit dem vom Hersteller vorgesehenen Ladegerät.** Bei

Verwendung eines anderen als dem vom Hersteller vorgesehenen Ladegerät besteht Brandgefahr.

**b) Verwenden Sie Elektrowerkzeuge immer nur mit den jeweils vorgesehenen Batterien.** Bei Benutzung von anderen Batterien besteht ein Verletzungsrisiko und Brandgefahr.

**c) Wenn die Batterie nicht in Gebrauch ist, lagern Sie sie abseits von anderen Metallgegenständen wie Büroklammern, Münzen, Schlüssel, Nägel, Schrauben oder anderen kleinen Metallgegenständen, die beide Batteriepole miteinander verbinden könnten.** Das Kurzschließen der Batteriepole kann zu Verbrennungen führen oder Feuer auslösen.

**d) Bei missbräuchlicher Handhabung kann Flüssigkeit aus der Batterie austreten; vermeiden Sie den Kontakt damit. Nach versehentlichem Kontakt waschen sie die Flüssigkeit unter fließendem Wasser ab. Kommt die Flüssigkeit mit Augen in Kontakt, nehmen Sie ärztliche Hilfe in Anspruch.** Ausgetretene Batterieflüssigkeit kann Reizungen oder Verbrennungen der Augen verursachen.

**e) Verwenden Sie keine beschädigten oder veränderten Batterien oder Werkzeuge.** Beschädigte oder veränderte Batterien können unvorhersehbare Folgen wie Feuer, Explosion oder Verletzungen nach sich ziehen.

**f) Setzen die Batterie oder das Werkzeug weder Feuer noch extremen Temperaturen aus.** Wird die Batterie Feuer oder einer Temperatur über 130°C ausgesetzt, besteht Explosionsgefahr.

**g) Befolgen Sie alle Ladevorgangsanleitungen und laden Sie die Batterie oder das Werkzeug nur in dem in der Anleitung angegebenen Temperaturbereich.** Unsachgemäßes Laden oder Laden außerhalb des angegebenen Temperaturbereichs kann die Batterie beschädigen und erhöht die Brandgefahr.

## 6) Wartung

**a) Lassen Sie Ihr Elektrowerkzeug nur von einer qualifizierten Fachkraft warten, die nur identische Ersatzteile verwendet.** Damit ist die Sicherheit Ihres Elektrowerkzeugs gewährleistet.

**b) Verwenden Sie niemals beschädigte Batterien.** Die Wartung von Batterien sollte nur vom Hersteller oder von autorisierten Werkstätten ausgeführt werden.

## Zusätzliche spezielle Sicherheitsbestimmungen für Kompaktfräser

• Verwenden Sie Spannklemmen oder eine andere praktische Methode, um das Werkstück auf einer stabilen Plattform zu sichern und zu

stützen. Das Halten mit der Hand oder gegen den Körper ist unsicher und kann zum Verlust der Kontrolle über die Arbeit führen.

- **KEIN Metall schneiden.**
- **Halten Sie die Griffe und Griffflächen trocken, sauber und frei von Öl und Fett.** Das ermöglicht eine bessere Kontrolle des Werkzeugs
- **Halten Sie das Werkzeug fest mit beiden Händen, um der Anfangsdrehkraft zu widerstehen.** Halten Sie das Werkzeug während des Betriebs immer fest mit beiden Händen.
- **Befolgen Sie immer die Empfehlungen des Herstellers über Drehzahlen für Aufsätze, da manche Aufsatzarten aus Sicherheits- oder Funktionsgründen spezielle Drehzahlen erfordern.** Wenn Sie sich im Unklaren über die geeignete Geschwindigkeit sind oder irgendein Problem auftritt, setzen Sie sich mit dem Hersteller des Aufsatzes in Verbindung.
- **Halten Sie die Hände fern vom Schnittbereich. Fassen Sie niemals aus irgendeinem Grund unter das Werkstück.** Sorgen Sie für einen festen Kontakt der Grundplatte des Fräasers mit dem Werkstück.
- **Lassen Sie die Motoreinheit niemals laufen, wenn sie nicht in eine Fräserbasis eingefügt ist.** Der Motor ist nicht für den tragbaren Gebrauch konzipiert.
- **Schneidedruck konstant halten.** Motor nicht überlasten.
- **Scharfe Aufsätze verwenden.** Die Verwendung von stumpfen Aufsätzen kann bewirken, dass der Fräser plötzlich abweicht oder stecken bleibt..
- **Legen Sie den Fräser erst hin, wenn der Motor vollständig angehalten hat.** Wenn sich der Aufsatz noch dreht, wenn das Werkzeug hingelegt wird, kann das Verletzungen oder Beschädigungen verursachen.
- **Der Fräseraufsatz muss vom Werkstück getrennt sein, wenn Sie den Motor starten.** Wenn der Aufsatz Kontakt zum Werkstück hat, wenn der Motor gestartet wird, kann der Fräser springen. Das kann Verletzungen oder Beschädigungen verursachen.
- **Entfernen Sie IMMER die Batterie, bevor Sie Einstellungen vornehmen oder Aufsätze austauschen.**
- **Berühren Sie die Aufsätze nicht mit den Händen, während der Motor, läuft um Verletzungen zu vermeiden.**
- **Berühren Sie den Aufsatz niemals direkt nach dem Betrieb. Er kann extrem heiß werden.**
- **Sorgen Sie für Freiraum unter dem Werkzeug beim Schneidevorgang.**
- **Ziehen Sie die Spannmutter fest an, damit der Aufsatz nicht abrutscht.**
- **Ziehen Sie die Spannmutter niemals ohne Aufsatz an.**

- **Verwenden Sie keine Aufsätze für dieses Werkzeug, deren Durchmesser 35 mm überschreitet.**
- **Vermeiden Sie Steigschnitte (Schnitt in entgegengesetzter Richtung als in Abbildung 20a gezeigt). Steigschnitte erhöhen das Risiko, die Kontrolle über das Werkzeug zu verlieren, was Verletzungen zur Folge haben kann.**
- Verwenden Sie immer gerade Schneider, Falzschneider, Profilschneider, Schlitzschneider oder gerillte Messer, deren Schaftdurchmesser der Größe der Spannzange Ihres Werkzeugs entspricht.
- Verwenden Sie immer Aufsätze, die für eine Mindestgeschwindigkeit von 30000 min-1 ausgelegt und entsprechend gekennzeichnet sind.
- **Stellen Sie den Fräser nicht auf den Kopf oder halten ihn in horizontaler Position.** Der Motor kann sich von der Basis lösen, wenn er nicht fachgerecht entsprechend den Richtlinien angebracht ist.
- Entfernen Sie alle Fremdkörper vom Arbeitsbereich, bevor Sie den Motor starten.
- **Sorgen Sie dafür, dass der Splitterschutz (sofern enthalten) immer sauber und richtig angebracht ist.**
- **Drücken Sie nicht die Taste für die Spindelarretierung, während der Motor läuft. Das kann die Spindelarretierung beschädigen.**
- **Stellen Sie jederzeit sicher, dass die Arbeitsfläche frei von Nägeln und anderen Fremdkörpern ist.** Das Schneiden in einen Nagel kann bewirken, dass der Aufsatz oder das Werkzeug springt.

## RESTRISIKEN

Ungeachtet vom Befolgen der relevanten Sicherheitsrichtlinien und der Anwendung von Sicherheitsvorrichtungen können bestimmte Risiken nicht vermieden werden. Diese sind:

- Beeinträchtigung des Hörvermögens.
- erlitzungsrisiko durch fliegende Partikel.
- Verbrennungsrisiko durch erhitzte Teile während des Betriebs.
- Verletzungsgefahr durch dauerhaften Gebrauch..

## BEWAHREN SIE DIESE ANWEISUNGEN AUF



### Elektrische Sicherheit

Der Elektromotor ist nur für eine Spannung konzipiert. Stellen Sie sicher, dass die Batteriespannung immer der angegebenen Spannung auf dem Typenschild entspricht. Stellen Sie außerdem sicher, dass die Spannung des Ladegeräts der Spannung der Stromquelle entspricht.



Ihr Trend-Ladegerät ist gemäß EN60335 doppelt isoliert: deshalb ist kein Schutzleiter erforderlich.

Wenn das Versorgungskabel beschädigt ist, muss es durch ein speziell hergestelltes Kabel, erhältlich über die Trend-Serviceorganisation, ersetzt werden.

### Ersatz des Hauptsteckers (nur Vereinigtes Königreich u. Irland)

Wenn ein neuer Hauptstecker eingebaut werden muss:

- Entfernen Sie vorsichtig den alten Stecker.
- Schließen Sie den braunen Draht an die stromführende Klemme im Stecker an.
- Schließen Sie den blauen Draht an die Nullleiterklemme an.



**WARNUNG:** Anschluss der Erdungsklemme nicht erforderlich. Befolgen Sie die Montageanleitung, die bei qualitativ guten Steckern mitgeliefert wird. Empfohlene Sicherung: 3 A.

### Verwendung eines Verlängerungskabels

Ein Verlängerungskabel sollte nur verwendet werden, wenn es unbedingt nötig ist. Verwenden Sie ein für die Eingangsleistung des Ladegeräts zugelassenes Verlängerungskabel (siehe **Technische Daten**). Minimaler Leiterquerschnitt ist 1 mm<sup>2</sup>: maximale Länge ist 30 m. Wenn Sie eine Kabeltrommel verwenden, wickeln Sie das Kabel immer vollständig ab.



### Wichtige Sicherheitsanweisungen für alle Batterieladegeräte

## BEWAHREN SIE DIESE ANWEISUNGEN AUF

Diese Gebrauchsanweisung beinhaltet wichtige Sicherheits- und Betriebsrichtlinien für passende Batterieladegeräte (siehe **Technische Daten**).

- Lesen Sie alle Anweisungen und Warnzeichen am Ladegerät, der Batterie und dem Produkt, in dem die Batterie verwendet wird.



**WARNUNG:** Gefahr durch Stromschlag. Vermeiden Sie das Eindringen von Flüssigkeit in das Ladegerät. Ein Stromschlag kann die Folge sein.



**WARNUNG:** Wir empfehlen die Verwendung eines Fehlerstromschutzschalters mit einer Reststromrate von 30 mA oder weniger.



**VORSICHT:** Gefahr durch Verbrennung. Um die Verletzungsgefahr zu verringern, laden Sie nur wiederaufladbare Batterien von Trend. Andere Batterietypen können platzen, was Verletzungen und Beschädigung zur Folge hat.



**VORSICHT:** Es sollte sichergestellt werden, dass Kinder nicht mit dem Gerät spielen.

**HINWEIS:** Das Batteriepole im Ladegerät können unter bestimmten Umständen, während es an die Stromquelle angeschlossen ist, durch Fremdkörper kurzgeschlossen werden. Leitende Fremdkörper wie Stahlwolle, Aluminiumfolie oder jede Ansammlung von Metallpartikeln sollten vom Ladegerät ferngehalten werden. Trennen Sie immer das Ladegerät von der Stromquelle, wenn sich keine Batterie im Batteriefach befindet. Stecken Sie das Ladegerät aus, bevor Sie es reinigen.

- **Kleine Kinder und Gebrechliche.** Diese Vorrichtung ist nicht zur Verwendung durch Kinder und gebrechliche Personen ohne Aufsicht bestimmt.
- Dieses Produkt ist nicht zur Verwendung durch Personen (einschließlich Kinder) bestimmt, die unter verminderten körperlichen, sensorischen oder geistigen Fähigkeiten leiden; es ihnen an Erfahrung, Wissen oder Fähigkeiten fehlt, es sei denn, sie werden von einer für ihre Sicherheit verantwortlichen Person beaufsichtigt. Kinder sollten mit diesem Produkt niemals allein gelassen werden.
- **Versuchen Sie NICHT, die Batterie mit einem anderen Ladegerät als dem in dieser Gebrauchsanweisung genannten zu laden.** Die Batterie und das Ladegerät sind speziell aufeinander abgestimmt.
- **Diese Ladegeräte sind nur zum Laden von wiederaufladbaren Batterien von Trend vorgesehen.** Jede andere Verwendung beinhaltet das Risiko einer Brandgefahr, eines Stromschlags oder Tod durch Stromschlag.
- **Setzen Sie das Ladegerät niemals Regen oder Schnee aus.**
- **Ziehen Sie am Stecker und nicht am Kabel, wenn Sie das Ladegerät von der Stromquelle trennen.** Dadurch vermeiden Sie eine Beschädigung des Steckers und des Kabels.
- **Stellen Sie sicher, dass niemand auf das Kabel treten oder darüber stolpern kann und dass das Kabel nicht beschädigt oder belastet wird.**
- **Verwenden Sie nur dann ein Verlängerungskabel, wenn es unbedingt nötig ist.** Die Verwendung eines ungeeigneten Verlängerungskabels kann das Risiko einer Brandgefahr, eines Stromschlags oder Tod durch Stromschlag zur Folge haben..
- **Stellen oder legen Sie keine Gegenstände auf die Oberfläche des Ladegeräts und stellen Sie**

**das Ladegerät nicht auf einem nachgiebigen Untergrund auf, wodurch die Lüftungsschlitze verdeckt werden können und was übermäßige Hitze im Innern des Ladegeräts auslösen kann.**

Stellen Sie das Ladegerät nicht in der Nähe einer Wärmequelle auf. Das Ladegerät wird durch Schlitze an der Ober- und der Unterseite belüftet.

- **Betreiben Sie das Ladegerät nicht mit beschädigtem Kabel oder Stecker** — lassen Sie beschädigte Teile sofort ersetzen.
- **Benutzen Sie das Ladegerät nicht, wenn es fallen gelassen wurde, einen Stoß erhalten hat oder sonst wie beschädigt wurde.** Bringen Sie es zu einem autorisierten Reparaturdienst.
- **Demontieren Sie das Ladegerät nicht selbst; bringen Sie es zur Reparatur oder zur Wartung zu einem autorisierten Reparaturdienst.** Falscher Zusammenbau kann das Risiko einer Brandgefahr, eines Stromschlags oder Tod durch Stromschlag zur Folge haben.
- Ein defektes Netzkabel muss sofort durch den Hersteller, seinen Servicedienst oder eine ähnlich qualifizierte Person ersetzt werden, um eine Gefährdung zu vermeiden.
- **Trennen Sie das Ladegerät vom Stromnetz, bevor Sie es reinigen. Das reduziert das Risiko eines Stromschlags.** Das Entfernen der Batterie reduziert das Risiko nicht.
- Versuchen Sie **NIEMALS**, zwei Ladegeräte miteinander zu verbinden.
- **Das Ladegerät ist für den Betrieb an einem üblichen Stromnetz mit 230 V vorgesehen. Versuchen Sie nicht, es mit einer anderen Voltzahl zu betreiben.** Dies bezieht sich nicht auf das Fahrzeugladegerät.
- **Stellen Sie sicher, dass das Ladegerät an einem sicheren und stabilen Platz steht.** Eine herunterfallende Batterie kann Sie selbst und/oder andere verletzen.

## **BEWAHREN SIE DIESE ANWEISUNGEN AUF**

### **Ladegeräte**

Trend Ladegeräte benötigen keine Einstellung und sind so konzipiert, dass sie so einfach wie möglich zu bedienen sind.

Das T18S/CH6A Ladegerät arbeitet mit 18 V Li-Ion Trend-Batterien (T18S/BA2A, T18S/BA4AM and T18S/BA5A).



**WARNUNG:** Laden nur in passenden 18 V Ladegeräten. Die Verwendung von anderen Ladegeräten kann Brandgefahr, Beschädigung oder ernsthafte Verletzungen zur Folge haben.

## Laden und Betrieb der Batterie

### - (Fig. 4 – 4d)

- Die Batterie hat beim Versand nur eine niedrige Ladung, um mögliche Probleme zu vermeiden. Laden Sie deshalb die Batterie bis die grüne LED-Anzeige rechts auf der Vorderseite aufleuchtet.
- **HINWEIS:** Batterien werden beim ersten Mal nicht voll aufgeladen. Für eine vollständige Aufladung werden mehrere Zyklen (Betrieb mit anschließendem Aufladen) benötigt.
- Lesen Sie zuerst die Sicherheitsrichtlinien und dann die Ladeanleitung.
- Schließen Sie das Ladegerät an eine übliche 230 V~50Hz Netzsteckdose an, leuchtet die grüne LED links auf der Vorderseite auf.
- Stellen Sie sicher, dass das Kabel nicht verknotet oder geknickt wird.
- Setzen Sie die Batterie in die Ladestation ein. (Beachten Sie die ausgestellten Rippen an der Batterie, die ein Einsetzen auf nur ein mögliche Weise zulassen). Stellen Sie die Ladezeit nur auf 32, 48 oder 54 Minuten ein.
- Die rote LED rechts auf der Vorderseite zeigt an, dass der Ladevorgang läuft. Eine grüne LED leuchtet auf, wenn der Ladevorgang abgeschlossen ist.
- Trennen Sie das Ladegerät nach dem Betrieb vom Stromnetz und verwahren Sie es in einem geeigneten Lagerschrank auf.
- Vermeiden Sie es, Ihre Batterie bei Frost zu laden, weil die Ladeleistung dann nicht ausreicht.
- Wenn Sie mehrere Batterien nacheinander laden wollen, lassen Sie das Ladegerät nach einem Ladevorgang mindestens 30 Minuten abkühlen, bevor Sie die nächste Batterie laden.
- Entfernen Sie immer die Batterie aus dem Werkzeug und bewahren sie sicher auf, wenn es nicht in Betrieb ist.



**VORSICHT:** Wenn während eines Ladevorgangs keine LED leuchtet, entfernen Sie Batterie aus dem Ladegerät, um eine Beschädigung des Produkts zu vermeiden. Setzen Sie KEINE andere Batterie in das Ladegerät ein.

### Kühlsystem

Das Ladegerät ist mit einem internen Ventilator zur Kühlung des Ladegerät ausgestattet. Betreiben Sie das Ladegerät niemals, wenn der Ventilator nicht einwandfrei arbeitet oder die Lüftungsschlitze verstopft sind. Verhindern Sie das Eindringen von Fremdkörpern in das Ladegerät.

### Heiß/Kalt Batterie-Verzögerung

Stellt das Ladegerät fest, dass eine Batterie zu heiß oder zu kalt ist, wird automatisch die Heiß/Kalt Batterie-Verzögerung gestartet, die den Ladevorgang unterbricht, bis die Batterie wieder eine normale Temperatur erreicht. Das Ladegerät setzt dann den Ladevorgang automatisch fort. Diese Funktion stellt eine maximale Lebensdauer der Batterie sicher.

### Elektronisches Schutzsystem

Trend Li-Ion Werkzeuge sind mit einem elektronischen Schutzsystem ausgestattet, das die Batterie vor Überladung, Überhitzung oder vollständiger Entladung schützt.

Das Werkzeug wird automatisch abgeschaltet, wenn sich das elektronische Schutzsystem einschaltet.

### Laden von Batterien im Innenbereich

Dieses Ladegerät ist für den Betrieb im Innenbereich bestimmt. Wir empfehlen jedoch keinen Betrieb in Ihrer Wohnung. Idealerweise sollten Batterien auf einer Werkbank in einer Werkstatt, Garage oder Bauhütte geladen werden. Wenn Sie einen Ladevorgang in Ihrer Wohnung durchführen, dann sollte der Bereich gut belüftet sein, das Ladegerät auf einem nicht brennbaren Untergrund stehen und die Lüftungsschlitze sollten frei sein.

### Wandmontage

Diese Ladegeräte sind dafür konstruiert, an einer Wand montiert zu werden oder aufrecht auf einem Tisch oder einer Arbeitsfläche zu stehen. Bei einer Wandmontage platzieren Sie das Ladegerät in Reichweite einer Steckdose und nicht in der Nähe einer Ecke oder anderen Behinderungen, die den Luftstrom erschweren. Benutzen Sie die Rückseite des Ladegeräts als Schablone, um die richtige Position der Montageschrauben an der Wand zu bestimmen. Montieren Sie das Ladegerät fest mit geeigneten Schrauben. Je nach Wandbeschaffenheit wird ein Durchmesser des Schraubenkopfes von 7 – 9mm und einer Schraubenlänge von 25mm empfohlen. Lassen Sie eine geeignete Länge der Schrauben sichtbar, um das Ladegerät einhängen zu können. Richten Sie die Schlitze auf der Rückseite des Ladegeräts an den Schrauben in der Wand aus und lassen sie das Gerät vollständig einrasten.

### Hinweise zur Reinigung des Ladegeräts



**WARNUNG:** Gefahr durch Stromschlag. Trennen Sie das Ladegerät vom Stromnetz, bevor Sie es reinigen. Schmutz und Fett auf der Außenseite des Ladegeräts sollten mit einem Lappen oder einer weichen nichtmetallischen Bürste entfernt werden. Verwenden Sie kein Wasser oder Reinigungsflüssigkeit. Verhindern Sie



das Eindringen von Flüssigkeiten in das Werkzeug und tauchen Sie es niemals in eine Flüssigkeit.

## Batterien

### Wichtige Sicherheitsrichtlinien für alle Batterien

Bei der Bestellung von Ersatzbatterien geben Sie die Produktbezeichnung und Spannung an. Die neue Batterie ist nicht vollständig geladen. Lesen Sie vor der Nutzung von Batterie und Ladegerät die unten stehenden Sicherheitsrichtlinien durch. Befolgen Sie dann die Beschreibungen des Ladevorgangs.

### LESEN SIE ALLE ANWEISUNGEN SORGFÄLTIG DURCH

- **Laden oder betreiben Sie die Batterie nicht in explosionsgefährdeten Bereichen wie z. B. in Gegenwart von brennbaren Flüssigkeiten, Gasen oder Staub.** Bei Entnahme der Batterie aus dem Ladegerät oder Einsetzen der Batterie in das Ladegerät können Staub oder Gase entzündet werden.
- **Wenden Sie niemals Gewalt beim Einsetzen der Batterie in das Ladegerät an. Die Batterie darf in keiner Weise verändert werden, damit sie in ein nicht kompatibles Ladegerät passt. Die Batterie kann dabei reißen und Verletzungen zur Folge haben.**
- Laden Sie die Batterien nur in Trend-Ladegeräten.
- Bespritzen Sie die Batterien **NIEMALS** oder tauchen sie in Wasser oder andere Flüssigkeiten.
- **Lagern Sie das Werkzeug und die Batterie nicht an Orten, an denen die Temperatur unter 4°C (34°F) (wie außen liegende Verschlüge oder ein Metallbau im Winter) fallen kann oder wo die Temperatur 40°C (104°F) oder mehr erreichen kann (wie außen liegende Verschlüge oder ein Metallbau im Sommer).**
- **Verbrennen Sie die Batterie niemals, auch wenn sie stark beschädigt oder total zerstört ist.** Die Batterie kann in Feuer explodieren. Es entstehen giftige Dämpfe und Stoffe, wenn Lithium-Ionen Batterien verbrannt werden.
- **Bei Hautkontakt mit Batterieflüssigkeit waschen Sie den betroffenen Bereich sofort mit milder Seife und Wasser ab.** Bei Augenkontakt mit Batterieflüssigkeit halten Sie das geöffnete Auge für 15 Minuten oder bis die Reizung nachlässt unter fließendes Wasser. Wird ärztliche Behandlung benötigt: die Elektrolytlösung besteht aus einer Mixtur aus flüssigen organischen Karbonaten und Lithiumsalzen.
- **Inhalte einer offenen Batterie können Atemreizungen verursachen.** Sorgen Sie für Frischluftzufuhr. Wenn die Symptome andauern, begeben Sie sich in ärztliche Behandlung.



**WARNUNG: Gefahr durch Verbrennung. Batterieflüssigkeit kann brennbar sein, wenn sie Funken oder Flammen ausgesetzt wird.**



**WARNUNG:** Versuchen Sie auf gar keinen Fall, die Batterie aus irgendeinem Grund zu öffnen. Wenn die Batterie gerissen oder beschädigt ist, setzen Sie sie nicht in das Ladegerät ein. Sie sollten die Batterie nicht fallen lassen, quetschen oder beschädigen. Benutzen Sie die Batterie oder das Ladegerät nicht, wenn es einem starken Schlag ausgesetzt war, fallen gelassen wurde, überfahren wurde oder in einer anderen Art und Weise beschädigt wurde (z. B. mit einem Nagel durchstochen, mit einem Hammer geschlagen oder wenn jemand auf die Gerätschaften getreten ist). Ein Stromschlag oder Tod durch Stromschlag können die Folge sein. Beschädigte Batterien sollten einem Servicecenter zur Wiederverwertung zurückgegeben werden.



**WARNUNG: Brandgefahr. Lagern oder tragen Sie die Batterie nur so, dass keine Metallteile mit den Batteriepolen in Kontakt kommen.** Bringen Sie die Batterie z. B. nicht in Schürzen, Taschen, Werkzeugkästen, Boxen für Werkzeugsätze, Schubladen etc., zusammen mit losen Nägeln, Schrauben, Schlüsseln etc. unter.



**VORSICHT:** Platzieren Sie das Werkzeug auf seiner Seite auf einer stabilen Oberfläche so, dass niemand darüber stolpern oder das Werkzeug herunterfallen kann, wenn es nicht benutzt wird. Einige Werkzeuge mit großen Batterien können senkrecht auf der Batterie stehen, aber leicht umgestoßen werden.

## Batteriebetrieb

### Ladestatus

Um die verbliebene Lademenge in der Batterie anzuzeigen, drücken Sie den Schalter für die Ladezustandsanzeige, (Abb. 2). Abb 2b zeigt den Zusammenhang zwischen der LED Anzeige und der verbliebenen Lademenge.

**HINWEIS:** Die Ladezustandsanzeige ist nur ein Anhaltspunkt über die verbliebene Lademenge der Batterie. Sie gibt keinen Hinweis auf die Funktionalität des Werkzeugs und kann aufgrund von Bestandteilen des Produkts, Temperatur und der Nutzung des Endverbrauchers schwanken.

### Selbstentladung

Eine Lithium Batterie kann sich selbst entladen und seine gespeicherte Ladung verlieren. Bei Lagerung unter Raumtemperatur kann sie normalerweise ungefähr 5 % ihrer Ladung im ersten Monat nach vollständiger Ladung

und dann weitere 3 % pro Monat verlieren. Bei Lagerung unter höheren Temperaturen kann sich die Entladung beschleunigen.

**Transport**



**WARNUNG: Brandgefahr.** Beim Transport von Batterien kann versehentlich Feuer entstehen, wenn die Batteriepole in Berührung mit leitenden Materialien kommen. Stellen Sie beim Transport von Batterien sicher, dass die Batteriepole geschützt und gut isoliert von Materialien sind, die mit ihnen in Berührung kommen und einen Kurzschluss verursachen können.

**HINWEIS:** Lithium-Ionen-Batterien sollten nicht in aufgegebenem Gepäck untergebracht werden.

Trend-Batterien entsprechen allen industriellen und gesetzlichen Transportvorschriften inklusive UN-Empfehlungen zum Transport von gefährlichen Gütern; Internationaler Luftverkehrsverband (IATA) Bestimmungen für gefährliche Güter, Internationale maritime Bestimmungen für gefährliche Güter (IMDG), und die Europäische Vereinbarung für die internationale Beförderung von gefährlichen Gütern auf dem Landweg (ADR). Lithium-Ionen-Zellen und Batterien sind gemäß Paragraph 38.3 des Handbuchs für Test und Maßstäbe der UN Empfehlungen zum Transport von gefährlichen Gütern getestet.

In den meisten Fällen wird der Transport einer Trend-Batterie von der Klassifizierung als vollständig geregeltes Klasse 9 gefährliches Gut ausgenommen. Allgemein ist nur beim Versand von Lithium-Ionen-Batterien mit einer Energiekennzahl größer 100 Wattstunden (Wh) eine Klassifizierung als vollständig geregeltes Klasse 9 gefährliches Gut erforderlich.

Die Wattstunden sind bei allen Lithium-Ionen-Batterien auf der Batterie gekennzeichnet. Außerdem empfiehlt Trend wegen komplexer Vorschriften nicht den Versand per Luftfracht von einzelnen Lithium-Ionen-Batterien unabhängig von der Energiekennzahl. Die Lieferung von Werkzeugen mit Batterien (Kombipaket) kann als Ausnahme per Luftfracht durchgeführt werden, wenn die Energiekennzahl der Batterie nicht größer 100 Wh ist.

Ungeachtet, ob eine Sendung als ausgenommen oder vollständig geregelt betrachtet wird, ist es die Verantwortung des Spediteurs, die gültigen Bestimmungen für Verpackung, Kennzeichnung und Dokumentation zu berücksichtigen.

Die Informationen in diesem Abschnitt der Gebrauchsanweisung werden in gutem Glauben über die Richtigkeit der Angaben zum Zeitpunkt der Erstellung des Dokuments zur Verfügung gestellt. Jedoch wird keinerlei Gewährleistung übernommen. Es liegt in der Verantwortung des Käufers, die entsprechenden Richtlinien zu befolgen.

**Empfehlungen für die Lagerung**

Der beste Platz für die Lagerung ist kühl und trocken,

ohne direktem Sonnenlicht und keiner extremen Hitze oder Kälte ausgesetzt zu sein. Für optimale Leistung und Lebensdauer lagern Sie Batterien bei Raumtemperatur, wenn sie nicht in Betrieb sind.

Bei einer längeren Lagerzeit wird empfohlen, die Batterie vorher vollständig zu laden und an einem kühlen, trockenen Platz außerhalb des Ladegeräts zu lagern.

**HINWEIS:** Batterien sollten nicht komplett entladen gelagert werden. Vor dem Betrieb muss die Batterie wieder aufgeladen werden.

**Aufkleber auf Ladegerät und Batterie**

Zusätzlich zu den in dieser Gebrauchsanweisung verwendeten Abbildungen können auf Ladegerät und Batterie die folgenden Abbildungen vorkommen:



Betriebsanleitung vor Gebrauch lesen.



Siehe Technische Daten bzgl. Wechselintervalle.



Batterie wird geladen.



Batterie ist geladen.



Batterie ist defekt.



Ladungsverzögerung (Akku ist abgekühlt oder zu kalt).



Keine Prüfung mit leitfähigen Objekten..



Beschädigte Batterien nicht laden.



Nicht Wasser aussetzen.



Defekte Kabel sofort austauschen lassen.



Laden nur bei Temperaturen zwischen 4°C und 40°C.



Nur für den Betrieb im Außenbereich.



Li-Ion Batterie umweltfreundlich entsorgen..



Batterie nicht verbrennen.

**IM LIEFERUMFANG ENTHALTENE ARTIKEL**

- 1 x Fräsergehäuse
- 1 x Fräser Tauchbasis
- 1 x Fräser Schneidbasis

- 1 x Spannzange ¼-Zoll (6,35mm) UK, 8mm Europa
- 1 x Tauchbasis Seitenbegrenzung
- 1 x Schneidebasis Seitenbegrenzung
- 1 x Kegel und Stift für Ausrichtung
- 1 x Führungsbuchse 16 mm
- 1 x Schraubenschlüssel
- 1 x Staubstutzen für Tauchbasis
- 1 x Staubstutzen für Schneidebasis
- 1 x 4Ah Aufladbare Batterie (nicht bei Nur Gehäuse Modellen)
- 1 x Ladegerät 6A (nicht bei Nur Gehäuse Modellen)
- 1 x Robuste, schützende Hülle

**HINWEIS:** B Modelle beinhalten keine Batterien, Ladegeräte und Werkzeugsätze.

- Prüfen Sie, ob das Werkzeug, die Teile oder das Zubehör während des Transports beschädigt wurden.
- Nehmen Sie sich die Zeit, diese Bedienungsanleitung vor der Inbetriebnahme gründlich zu lesen und zu verstehen.

## MARKIERUNGEN AUF DEM WERKZEUG

Die folgenden Abbildungen sind auf dem Werkzeug zu sehen:



Betriebsanleitung vor Gebrauch lesen.



Tragen Sie einen Hörschutz.



Tragen Sie eine Schutzbrille.



Handschutz tragen.

### Position Datumcode

Das Herstellungsjahr ist auf dem Typenschild angegeben.

## DESCRIPTION OF PARTS - (Fig. 1)

- A.** An-/Aus-Taste
- B.** Sperrtaste
- C.** Einstellrad für verschiedene Geschwindigkeiten
- D.** Motorgehäuse
- E.** Motorgehäuse Zahnstange
- F.** Spannzange
- G.** Robuste, schützende Hülle
- H.** Taste Spindelarretierung
- I.** Spindel
- J.** Arbeitsbeleuchtung
- K.** Batteriefach
- L.** Tauchbasis Eintauchhebel
- M.** Tauchbasis
- N.** Tauchbasis Seitenbegrenzungsknäufe
- O.** Tauchbasis Revolveranschlag
- P.** Tauchbasis Schnitttiefenanschlag

- Q.** Schnitttiefenanschlag Mikro Einstellungsknauf
- R.** Anzeige Schnitttiefenanschlag
- S.** Arretierknauf Schnitttiefenanschlag
- T.** Skala Schnitttiefenanschlag
- U.** Tauchbasis Gehäusebügel
- V.** Tauchbasis Seitengriffe
- W.** Tauchbasis Schieber
- X.** Tauchbasis Feststellschrauben
- Y.** Tauchbasis parallele Seitenbegrenzung
- Z.** Schneidebasis
- AA.** Schneidebasis Gehäusebügel
- BB.** Schneidebasis Schieber
- CC.** Schneidebasis Ritzel und Knauf
- DD.** Schneidebasis Feststellschrauben für Schieber
- EE.** Schneidebasis parallele Seitenbegrenzung
- FF.** Schneidebasis parallele Seitenbegrenzung Arretierknauf
- GG.** Zentrierstift für Führungsbuchse ¼-Zoll/6,35 mm
- HH.** Zentrierkegel für Führungsbuchse
- II.** Schraubenschlüssel für Spannmutter
- JJ.** Führungsbuchse 16 mm
- KK.** Feststellschrauben für Führungsbuchse
- LL.** Tauchbasis Staubstutzen
- MM.** Schneidebasis Staubstutzen
- NN.** Schneidebasis Staubstutzen Knauf
- OO.** Batterie (nicht bei Nur Gehäuse Modellen)
- PP.** Ladegerät (nicht bei Nur Gehäuse Modellen)

## VERWENDUNGSZWECK

Dieser kabellose Fräser wurde für mittelschweres Fräsen von Holz, Holzprodukten und Kunststoffen konzipiert.

**NICHT** unter nassen Bedingungen oder in der Nähe von brennbaren Flüssigkeiten oder Gasen verwenden.

Lassen Sie **NIEMALS** Kinder mit diesem Werkzeug in Kontakt kommen. Beaufsichtigen Sie unerfahrene Bediener, wenn diese das Werkzeug verwenden.

- **Kleine Kinder und Gebrechliche.** Diese Vorrichtung ist nicht zur Verwendung durch Kinder und gebrechliche Personen ohne Aufsicht bestimmt.
- Dieses Produkt ist nicht zur Verwendung durch Personen (einschließlich Kinder) bestimmt, die unter verminderten körperlichen, sensorischen oder geistigen Fähigkeiten leiden; es ihnen an Erfahrung, Wissen oder Fähigkeiten fehlt, es sei denn, sie werden von einer für ihre Sicherheit verantwortlichen Person beaufsichtigt. Kinder sollten mit diesem Produkt niemals allein gelassen werden.

## MONTAGE UND ZUBEHÖR



**WARNUNG:** Um Verletzungen zu vermeiden, schalten Sie das Werkzeug aus und entfernen Sie die Batterie, bevor Sie irgendwelche Einstellungen vornehmen oder Zubehörteile entfernen oder anbringen. Das Starten des Werkzeugs aus Versehen kann Verletzungen verursachen.



**WARNUNG:** Verwenden Sie nur Trend-Batterien und Ladegeräte.

### Ladezustand der Batterie

#### - (Fig. 2 – 2a)

Um die verbliebene Lademenge in der Batterie anzuzeigen, drücken Sie den Schalter für die Ladezustandsanzeige

**HINWEIS:** Die Ladezustandsanzeige ist nur ein Anhaltspunkt über die verbliebene Lademenge der Batterie. Sie gibt keinen Hinweis auf die Funktionalität des Werkzeugs und kann aufgrund von Bestandteilen des Produkts, Temperatur und der Nutzung des Endverbrauchers schwanken.

### Einsetzen in das und Entfernen der Batterie aus dem Werkzeug

#### - (Fig. 3 – 3a)

**HINWEIS:** Stellen Sie sicher, dass Ihre Batterie vollständig geladen ist.

**HINWEIS:** Um ernsthafte Verletzungen zu vermeiden, entfernen Sie die Batterie und berühren Sie nicht die Sperre, wenn Sie das Werkzeug tragen oder transportieren.

Falsches Einsetzen der Batterie kann innere Bauteile beschädigen.

### Einsetzen der Batterie in den Werkzeuggriff

#### - (Fig. 3)

- Richten Sie die Batterie an den Schienen im Batteriefach aus.
- Schieben Sie die Batterie vorsichtig in das Batteriefach bis die Batterie fest sitzt und achten Sie darauf, dass die Sperre einrastet.

### Entfernen der Batterie aus dem Werkzeug

#### - (Fig. 3a)

- Drücken Sie die Freigabetaste und ziehen sie die Batterie fest aus dem Batteriefach.
- Setzen Sie die Batterie, wie im Abschnitt zum Laden in dieser Gebrauchsanweisung beschrieben, in das Ladegerät ein.

### Einsetzen des Motorgehäuses in die Tauchbasis

#### - (Fig. 5 & 5b)

- Öffnen Sie den Eintauchhebel der Tauchbasis und stellen Sie sicher, dass die Taste Spindelarretierung

nach vorne zeigt. Dann setzen Sie das Werkzeug vollständig in die Tauchbasis ein, indem Sie die Rille am Werkzeug an der Vorwölbung an der Tauchbasis ausrichten.

- Schließen Sie den Eintauchhebel.
- Zum Entfernen der Basis befolgen Sie die Installationsprozedur in umgekehrter Reihenfolge.

### Einsetzen des Motorgehäuses in die Schneidebasis

#### - (Fig. 5a)

- Öffnen Sie den Arretierhebel der Schneidebasis und führen Sie das Werkzeug in die Schneidebasis ein, indem Sie die Zahnstange am Motor an dem Ritzel in der Schneidebasis ausrichten.
- Das Schneidebasis ritzel greift in die Zahnstange am Motor ein. Drehen Sie den Schneidebasis Knauf im Uhrzeigersinn, um den Router in die Basis abzusenken und die Routerhöhe einzustellen.
- Bringen Sie die Staubdüse an der Schneidebasis an und ziehen Sie die Basis fest.
- Zum Entfernen der Basis befolgen Sie die Installationsprozedur in umgekehrter Reihenfolge.



**VORSICHT:** Wenn Sie das Werkzeug mit der Schneidebasis verwenden, bringen Sie den Staubstutzen an der Schneidebasis an.

### Zum Justieren der Spannkraft des Arretierhebels

#### - (Fig. 5c)

- Öffnen Sie den Gehäusebügel.
- Verwenden Sie einen Sechskantschlüssel und drehen damit die Stellschraube des Arretierhebels in kleinen Schritten.
- Drehen Sie die Schraube im Uhrzeigersinn, um den Hebel fester anzuziehen und entgegen dem Uhrzeigersinn, um den Hebel zu lösen.

### Einsetzen Oberfräser/Aufsätze

#### - (Fig. 6 – 6b)

- Führen Sie mindestens 3/4 der Schaftlänge des Fräasers (1) in die Spannzange ein.
- Drücken Sie die Spindelarretierung bis die Fräerspindel arretiert ist (die Spindel muss unter Umständen ein wenig gedreht werden, um einzurasten).
- Ziehen Sie die Spannmutter mit dem Schraubenschlüssel an. Keine übertriebene Kraft einsetzen.

## Entfernen Oberfräser/Aufsätze


- (Fig. 6 – 6b)

- Drücken Sie die Spindelarretierung bis die Fräzerspindel arretiert ist.
- Lösen Sie die Spannmutter mit dem Schraubenschlüssel.
- Drehen Sie den Schraubenschlüssel, bis die Spannmutter fest angezogen ist und lösen Sie sie dann wieder. Dies ist der absolut sichere Vorgang, um die Spannzange zu lösen.
- Der Fräser sollte nun herausgleiten.
- Entfernen Sie einen Fräser nach jedem Gebrauch, wenn Sie eine Arbeit beendet haben, und bewahren ihn an einem sicheren Ort auf.

 **WARNUNG:** Ziehen Sie die Spannzange nicht ohne eingesetzten Fräser an.

 **WARNUNG:** Verwenden Sie stets Fräser, deren Schaft dem Durchmesser der Spannzange entspricht.

 **WARNUNG:** Tiefe Schnitte sollten immer in mehreren Durchgängen ausgeführt werden.

 **VORSICHT:** Stellen Sie immer sicher, dass das Werkzeug ausgeschaltet ist und die Batteriekassette entfernt wurde, bevor Sie irgendeine Arbeit an dem Werkzeug ausführen.

## Eintauchhebel an der Tauchbasis - (Fig. 7)

- Verwenden Sie keine übertriebene Kraft, um den Eintauchhebel einzuklemmen. Der Einsatz übertriebener Kraft kann die Basis beschädigen.
- Drücken Sie den Hebel zum Verriegeln herunter.
- Wenn der Eintauchhebel arretiert ist, darf sich der Motor nicht mehr in der Basis bewegen.
- Wenn sich der Eintauchhebel nicht ohne übertriebene Kraft arretieren lässt oder der Motor nach dem Arretieren noch Bewegungsspielraum hat, ist eine Justierung erforderlich.

## Zentrierung des Schiebers an der Tauchbasis - (Fig. 8 – 8a)

- Zum Justieren, Wechsel oder Austausch des Unterbaus wird ein Zentrierwerkzeug empfohlen. Das Zentrierwerkzeug besteht aus einem Kegel und einem Stift.

Zum Justieren des Schiebers führen Sie die nachfolgenden Schritte durch.

- Passen Sie die Führungsbuchse in den Schieber ein.
- Lösen Sie die Feststellschrauben des Schiebers, bis sich der Schieber frei bewegt, aber entfernen Sie die Schrauben nicht.
- Führen Sie den Stift in die Spannzange ein und ziehen Sie die Spannmutter fest.
- Führen Sie das Motorgehäuse in die Basis ein und verriegeln Sie den Arretierhebel an der Basis.
- Platzieren Sie den Kegel auf dem Stift und üben Sie leichten Druck auf den Kegel aus, bis er stoppt. Dies wird den Unterbau zentrieren.
- Während Sie den Kegel gedrückt halten, ziehen Sie die Schrauben des Unterbaus fest an.
- Siehe Einsetzen der Führungsbuchse in die Tauchbasis und die Schneidebasis (Abb. 12).

## Zentrierung des Schiebers an der Schneidebasis - (Fig. 9)

- Zum Justieren, Wechsel oder Austausch des Unterbaus wird ein Zentrierwerkzeug empfohlen. Das Zentrierwerkzeug besteht aus einem Kegel und einem Stift.
- Zum Justieren des Schiebers führen Sie die nachfolgenden Schritte durch mit oder ohne Führungsbuchse.
- Lösen Sie die Feststellschrauben des Schiebers, bis sich der Schieber frei bewegt, aber entfernen Sie die Schrauben nicht.
- Führen Sie den Stift in die Spannzange ein und ziehen Sie die Spannmutter fest.
- Führen Sie das Motorgehäuse in die Basis ein und verriegeln Sie den Arretierhebel an der Basis.
- Platzieren Sie den Kegel auf dem Stift und üben Sie leichten Druck auf den Kegel aus, bis er stoppt. Dies wird den Unterbau zentrieren.
- Während Sie den Kegel gedrückt halten, ziehen Sie die Schrauben des Unterbaus fest an.
- Siehe Einsetzen der Führungsbuchse in die Tauchbasis und die Schneidebasis (Abb. 12).

## Installieren und Entfernen der parallelen Seitenbegrenzung an der Tauchbasis - (Fig. 10)

Eine parallele Seitenbegrenzung mit Führungsstangen ist mitgeliefert.

- Lösen Sie die Rändelschrauben an der Tauchbasis.
- Schieben Sie die parallele Seitenbegrenzung mit den Führungsstangen in die Löcher der Tauchbasis.

- Ziehen Sie die Rändelschraube vorübergehend fest an, um die Begrenzung in Position zu halten.
- Um die parallele Seitenbegrenzung zu entfernen, lösen Sie die Rändelschrauben und ziehen Sie die parallele Seitenbegrenzung aus der Tauchbasis.

### Installieren und Entfernen der parallelen Seitenbegrenzung an der Schneidebasis - (Fig. 11 – 11a)

- Verbinden Sie die gerade Führungsschiene mit dem Bolzen und der Verriegelungsknopf.
- Befestigen Sie die gerade Führung mit dem Verriegelungsknopf des parallelen Zauns der Trimbasis an der Trimmerbasis.

### Einsetzen der Führungsbuchse in die Tauchbasis und die Schneidebasis - (Fig. 12)

Die Führungsbuchse ermöglicht das wiederholte Schneiden mit Vorlagenmustern unter Verwendung von Schablonen.

- Platzieren Sie die Führungsbuchse in der Aussparung auf der Unterseite der Basis und sichern Sie die Führungsbuchse dann mit den zwei Feststellschrauben.

### Einstellen der Schnitttiefe an der Tauchbasis - (Fig. 13 – 13c)

- Platzieren Sie die Maschine auf dem Werkstück.
- Nehmen Sie die erforderliche Voreinstellung des 3-Wege Revolveranschlags vor.
- Lösen Sie die Rändelschraube, die den Revolveranschlag sichert.
- Lösen Sie den Eintauchhebel.
- Senken Sie die Maschine langsam bis der Fräser das Werkstück gerade so berührt und sichern Sie sie mit dem Eintauchhebel.
- Der Schnitttiefenanschlag hat eine Anzeige, die zur Ausrichtung an die Skala verwendet werden kann.
- Erhöhen Sie den Schnitttiefenanschlag in Übereinstimmung mit der Skala für die Schnitttiefe wie erforderlich und ziehen Sie die Rändelschraube an. **Der Abstand zwischen dem Schnitttiefenanschlag und der Schraube des Revolveranschlags bestimmt die Schnitttiefe.**

Der Schnitttiefenanschlag beinhaltet eine Möglichkeit zur MikroEinstellung.

- Für die Feineinstellung der Schnitttiefe drehen Sie den Knauf für die MikroEinstellung auf der Oberseite des Schnitttiefenanschlags.

- Um die Schnitttiefe zu erhöhen, drehen Sie den Kopf entgegen dem Uhrzeigersinn. Um die Schnitttiefe zu verringern, drehen Sie den Kopf im Uhrzeigersinn - 1 Drehung = 1mm.

Der rotierende Revolveranschlag kann für die Voreinstellung von drei verschiedenen Schnitttiefen genutzt werden. Die Höhe kann mit einem Schraubenzieher und einem 8mm A/F Schlüssel eingestellt werden.

**! WARNUNG:** Ändern Sie den Revolveranschlag nicht, solange der Fräser in Betrieb ist. Ihre Hände würden dabei dem Fräskopf zu nahe kommen.

**! VORSICHT:** Schalten Sie den Fräser ein, bevor Sie den Schneidekopf in das Werkstück einführen.

### Einstellen der Schnitttiefe an der Schneidebasis - (Fig. 14)

- Um die Schnitttiefe einzustellen, öffnen Sie den Arretierhebel und bewegen dann die Basis durch das Drehen der Verriegelungsknopf. nach oben oder nach unten.
- Schließen Sie den Arretierhebel nach der Einstellung vollständig.

**HINWEIS:** Wenn das Gerät nach dem Schließen des Arretierhebels nicht gesichert ist, ziehen Sie die Sechskantmutter fest an und schließen dann den Arretierhebel.

### Befestigungspunkte für Zubehörteile - (Fig. 15)

Der Fräser hat zwei Gewindebohrungen M6 in seiner Basis, die das Anbringen von Zubehörteilen und die Anbringung auf einem Frästisch erlauben.

### BETRIEB





**! WARNUNG:** Beachten Sie immer die Sicherheitsrichtlinien und gültigen Vorschriften.

**! WARNING:** Um Verletzungen zu vermeiden, schalten Sie das Werkzeug aus und entfernen Sie die Batterie, bevor Sie irgendwelche Einstellungen vornehmen oder

**Zubehörteile entfernen oder anbringen.** Das Starten des Werkzeugs aus Versehen kann Verletzungen verursachen.

**Richtige Handstellung - (Fig. 16 – 17)**

 **WARNUNG:** Um das Risiko schwerer Verletzungen zu vermeiden, achten Sie **IMMER** auf die richtige Handstellung wie gezeigt.

 **WARNUNG:** Um das Risiko schwerer Verletzungen zu vermeiden, halten Sie das Gerät **IMMER** sicher fest, um auf eine unerwartete Reaktion vorbereitet zu sein.


- Beim Betrieb der Tauchbasis halten Sie die Seitengriffe fest wie in Abb. 16 gezeigt
- Beim Betrieb der feststehenden Basis sollte eine Hand auf der Oberseite der Batterie und die andere Hand um die feststehende Basis liegen, wie gezeigt in Abb. 17.


**EIN/AUS- und Sperrschalter**  **- (Fig. 18)**

- Drücken Sie den Sperren/Entsperren Schalter, um das Gerät einzuschalten. Das Werkzeug wechselt in den Bereitschaftsmodus.
- Zum Starten des Geräts drücken Sie den on/off Schalter im Bereitschaftsmodus.
- Zum Anhalten des Geräts drücken Sie den on/off Schalter noch einmal. Das Werkzeug wechselt in den Bereitschaftsmodus.
- Zum Ausschalten des Geräts drücken Sie den Sperren/Entsperren Schalter im Bereitschaftsmodus.

**HINWEIS:** Befindet sich das Gerät für 10 Sekunden ohne Tätigkeit im Bereitschaftsmodus, schaltet sich das Gerät automatisch aus und die Lampe erlischt.

**HINWEIS:** Sie können das Gerät auch während des Betriebs anhalten und ausschalten, indem Sie den Sperren/Entsperren Schalter drücken.

 **VORSICHT:** Entfernen Sie alle Fremdkörper vom Arbeitsbereich, bevor Sie das Gerät starten. Halten Sie das Gerät gut fest, um dem Drehmoment beim Start zu widerstehen.

 **VORSICHT:** Um Verletzungen und/oder Beschädigungen an einer fertigen Arbeit zu vermeiden, warten Sie immer, bis der Motor **VOLLSTÄNDIG STOPPT**, bevor Sie das Gerät hinlegen.

**Einstellrad für verschiedene Geschwindigkeiten - (Fig. 19)** 

Der Fräser darf nicht zu schnell in das Holz eingeführt werden, weil dann der Motor langsamer wird. Er darf auch nicht zu langsam eingeführt werden, damit der Fräser keine Brandmale auf der Holzoberfläche hinterlässt. Orientieren Sie sich am Geräusch des Motors, um die richtige Geschwindigkeit herauszufinden.

- Die Rotationsgeschwindigkeit des Geräts kann durch Drehen am Einstellrad für variable Geschwindigkeiten verändert werden. Die untenstehende Tabelle zeigt die Nummer auf dem Einstellrad und die entsprechende Rotationsgeschwindigkeit.



**HINWEIS:** Wenn das Gerät für längere Zeit mit geringer Geschwindigkeit arbeitet, wird der Motor überlastet und ein Ausfall des Geräts ist die Folge.

**HINWEIS:** Zum Wechseln der Geschwindigkeit von „6“ auf „1“ drehen Sie das Einstellrad entgegen dem im Uhrzeigersinn. Drehen Sie das Einstellrad nicht gewaltsam im Uhrzeigersinn.

**HINWEIS:** Machen Sie mehrere leichte Züge anstelle eines starken Zuges für eine bessere Qualität der Arbeit

**Tabelle zur Auswahl der Geschwindigkeit**

Nr.	Geschwindigkeit
1	10,000 Min-1
2	14,000 Min-1
3	18,000 Min-1
4	22,000 Min-1
5	26,000 Min-1
6	30,000 Min-1

	1-24	30,000 (6)	
	24-30	22,000 (4)	
	30-38	18,000 (3)	

Generell sollten Sie eine niedrigere Einstellung für größere Diamantfräser und eine höhere Einstellung für kleine Diamantfräser verwenden. Die richtige Einstellung hängt zudem von der Dichte des Materials, der Schnitttiefe und der Vorschubgeschwindigkeit der Oberfräse ab. Ein starker Drehzahlabfall weist auf die Überlastung des Motors hin. In den meisten Fällen beträgt die niedrigste Drehzahl, die für größere Fräser (>=35mm) mit dünner Schaftgröße erforderlich ist, 12,500 Min-1.

## Elektronische Funktion

Das Gerät ist für eine einfache Bedienung mit diesen elektronischen Funktionen ausgestattet.

- Konstante Geschwindigkeitssteuerung – Die Geschwindigkeitssteuerungsfunktion sorgt für eine konstante Rotationsgeschwindigkeit unabhängig von den Lastbedingungen.
- Sanftanlaufsfunktion – Die Sanftanlaufsfunktion minimiert die Starterschütterung und startet das Gerät sanft.

## Vorschubrichtung - (Fig. 20)

**! WARNUNG: Die Fräsrichtung muss immer entgegengesetzt zur Drehrichtung des Fräasers sein. Sonst besteht das Risiko eines Rückschlags.**

Beim Fräsen entlang einer Kante sollte die Bewegungsrichtung des Fräasers entgegen der Rotation des Fräasers sein. Das gewährleistet ein genaues Fräsen und bewahrt den Fräser vor dem „Verreißen“. Es zieht den Fräser außerdem zum Werkstück hin und die Seitenbegrenzung oder Lagerführung bleibt am Werkstück.

## Installieren und Entfernen des Staubstutzens an der Tauchbasis - (Fig. 21)

- Halten Sie das Gerät, während Sie den Staubansaugstutzen an der Tauchbasis anbringen.
- Ziehen Sie die Verriegelungsknopf an.
- Schließen Sie über den Staubansaugschlauch und ein Elektrowerkzeugadapter eine geeignete Staubansaugvorrichtung an.
- Um den Staubstutzen von der Tauchbasis zu entfernen, lösen Sie die Feststellschrauben und entfernen sie den Staubstutzen.

## Installieren und Entfernen des Staubstutzens an der Schneidebasis - (Fig. 22)

- Halten Sie das Gerät, während Sie den Staubansaugstutzen an der Schneidebasis anbringen und stellen Sie sicher, dass der Stift in das Loch eingeführt wird.
- Drehen Sie den Knauf des Staubstutzens der Schneidebasis fest im Uhrzeigersinn, um den Staubstutzen zu sichern.

- Schließen Sie über den Staubansaugschlauch und ein Elektrowerkzeugadapter eine geeignete Staubansaugvorrichtung an.
- Um den Staubstutzen von der Schneidebasis zu entfernen, drehen Sie den Knauf des Staubstutzens der Schneidebasis entgegen dem Uhrzeigersinn und entfernen sie den Staubstutzen.

## Arbeitsbeleuchtung

**! VORSICHT: Schauen Sie nicht direkt in das Licht oder in die Lichtquelle.**

- Drücken Sie den Sperren/Entsperren Schalter, um die Lampe einzuschalten. Drücken Sie wieder den Sperren/Entsperren Schalter, um das Gerät auszuschalten.

**HINWEIS: Die Lampe flackert, wenn das Gerät überhitzt ist. Lassen Sie das Gerät ganz abkühlen, bis Sie es wieder in Betrieb nehmen.**

**HINWEIS:** Verwenden Sie einen trockenen Lappen, um den Schmutz von der Linse der Lampe zu entfernen. Achten Sie darauf, die Linse der Lampe nicht zu zerkratzen. Das kann die Leuchtkraft reduzieren.

## Fräsen mit der Tauchbasis bestückt mit einem selbstgeführten Fräser - (Fig. 23)

- Drücken Sie den Eintauchhebel und versenken Sie den Fräser bis die eingestellte Schnitttiefe erreicht ist.
- Die Kugellagerführung des Geräts wirkt wie eine Führung entgegen der Materialkante.
- Führen Sie den Schnitt aus.
- Am Ende des Schnitts geben Sie den Eintauchhebel frei.
- Schalten Sie den Fräser aus.

## Fräsen bestückt mit der Schneidebasis

- Stellen Sie die Gerätebasis auf das Werkstück, ohne das der Trimmer-Fräser das Werkstück berührt. Schalten Sie das Gerät ein und warten, bis der Aufsatz die volle Geschwindigkeit erreicht hat. Bewegen Sie das Gerät vorwärts über die Oberfläche des Werkstücks. Lassen Sie die Gerätebasis vollflächig aufliegen, während Sie das Gerät bewegen.
- Beim Fräsen einer Kante achten Sie darauf, die Oberfläche des Werkstücks auf der linken Seite des Trimmer-Fräasers in Vorschubrichtung zu halten.

**HINWEIS:** Vor dem Fräsen eines echten Werkstücks wird ein Probefräsen empfohlen. Die richtige



Vorschubgeschwindigkeit hängt von der Größe des Trimmer-Fräasers, der Art des Werkstücks und der Schnitttiefe ab. Wird das Gerät zu schnell vorwärts bewegt, kann das eine schlechte Qualität der Fräsung oder eine Beschädigung des Aufsatzes oder des Motors zur Folge haben. Wird das Gerät zu langsam vorwärts bewegt, kann das Brandmale auf der zu fräsenden Oberfläche hinterlassen.

**HINWEIS: Da übermäßiges Fräsen den Motor überlasten kann oder Schwierigkeiten bei der Kontrolle über das Gerät bereiten kann, sollte die Schnitttiefe beim Fräsen von Rillen 3 mm nicht überschreiten.** Wenn Sie Rillen tiefer als 3 mm fräsen möchten, machen Sie das in mehreren Durchgängen und steigern Sie die Schnitttiefe von Durchgang zu Durchgang.

**HINWEIS:** Führen Sie den Fräser immer entgegengesetzt zur Richtung, in die der Fräser rotiert.

### Verwenden der parallelen Seitenbegrenzung mit der Tauchbasis - (Fig. 24)

- Mit der Seitenbegrenzung angebracht an der Tauchbasis.
- Lösen Sie die Begrenzungsstangenknöpfe an der Basis und stellen Sie die Entfernung zwischen dem Fräser und der parallelen Seitenbegrenzung ein. Bei gewünschter Entfernung ziehen Sie die Begrenzungsstangenknöpfe wieder an.
- Bewegen Sie das Gerät so, dass die parallele Seitenbegrenzung an dem Werkstück angelegt bleibt.

**HINWEIS:** Führen Sie den Fräser immer entgegengesetzt zur Richtung, in die der Fräser rotiert.

### Verwenden der parallelen Seitenbegrenzung mit der Schneidebasis - (Fig. 25)

- Mit der Seitenbegrenzung angebracht an der Schneidebasis.
- Lösen Sie die Verriegelungsknopf an der geraden Führungsschiene und stellen Sie die Entfernung zwischen dem Fräser und der parallelen Seitenbegrenzung der geraden Führungsschiene ein. Bei gewünschter Entfernung ziehen Sie die Verriegelungsknopf wieder an.
- Bewegen Sie das Gerät so, dass die parallele Seitenbegrenzung an dem Werkstück angelegt bleibt.

**HINWEIS:** Führen Sie den Fräser immer entgegengesetzt zur Richtung, in die der Fräser rotiert.

### Verwendung der Führungsbuchse in der Tauchbasis - (Fig. 26 - 26b)

- Verwenden Sie einen Fräser mit einem Durchmesser, der durch die Mitte der Führungsbuchse mit genügend Seitenabstand passt.
- Stellen Sie die Tauchtiefe des Fräasers ein.
- Platzieren Sie die Führungsbuchse gegen die Schablone, schalten Sie ein und führen Sie einen Eintauchschnitt bis zur richtigen Schnitttiefe aus.
- Schieben Sie in die angezeigte Richtung vor.
- Beenden Sie den Eintauchvorgang am Ende des Fräsdurchgangs und schalten Sie die Maschine aus.

**HINWEIS:** Führen Sie den Fräser immer entgegengesetzt zur Richtung, in die der Fräser rotiert.

 **VORSICHT:** Schalten Sie den Fräser ein, bevor Sie den Schneidekopf in das Werkstück einführen.

### Verwendung der Führungsbuchs in der Schneidebasis - (Fig. 27)


- Verwenden Sie einen Fräser mit einem Durchmesser, der durch die Mitte der Führungsbuchse mit genügend Seitenabstand passt.
- Stellen Sie die Tauchtiefe des Fräasers ein.
- Platzieren Sie die Führungsbuchse gegen die Schablone und schalten Sie ein.
- Schieben Sie in die angezeigte Richtung vor.
- Am Ende des Fräsdurchgangs schalten Sie die Maschine aus.

**HINWEIS:** Führen Sie den Fräser immer entgegengesetzt zur Richtung, in die der Fräser rotiert.

### INSTANDHALTUNG

Bitte verwenden Sie nur Original-Ersatzteile und Zubehör von Trend.

Das Elektrowerkzeug ist so konzipiert, dass er über einen langen Zeitraum mit minimalem Wartungsaufwand verwendet werden kann. Ein dauerhaft zufriedenstellender Betrieb hängt von der richtigen Pflege und der regelmäßigen Reinigung ab.

 **WARNUNG:** Um Verletzungen zu vermeiden, schalten Sie das Werkzeug aus und entfernen Sie die Batterie, bevor Sie irgendwelche Einstellungen vornehmen oder Zubehörteile entfernen oder anbringen. Das Starten des Werkzeugs aus Versehen kann

Verletzungen verursachen.

Das Ladegerät und die Batterie sind nicht zu warten.

Vermeiden Sie die Reinigung von Kunststoffteilen mit Lösungsmitteln. Die meisten Kunststoffe sind empfindlich gegen viele Arten von Lösungsmitteln und können durch ihren Einsatz beschädigt werden. Benutzen Sie saubere Lappen um Dreck, Staub, Öl, Fett etc. zu entfernen.



**WARNUNG:** Vermeiden sie jederzeit den Kontakt von Bremsflüssigkeiten, Benzin, Produkten auf Petroleumbasis, Kriechölen etc. mit Kunststoffteilen. Chemikalien können Kunststoffe beschädigen, aufweichen oder zerstören. Das kann schwere Verletzungen zur Folge haben.

Die Bearbeitung von Glasfaserstoffen, Wandtafeln, Spachtelmassen oder Putz kann Ursache für schnellere Abnutzung und vorzeitige Störungen sein, da Splitter von Glasfaserstoffen aggressiv auf Halterungen, Bürsten, Kommutatoren etc. einwirken. Deshalb raten wir konsequenterweise von dem längeren Einsatz dieses Werkzeugs auf diesen Stoffen ab. Wenn Sie mit diesen Stoffen arbeiten, ist es extrem wichtig, das Werkzeug mit Druckluft zu reinigen.

## Schmierung

- Ihr Elektrowerkzeug benötigt keine zusätzliche Schmierung.

## Reinigung



**WARNUNG:** Blasen Sie Schmutz und Staub mit Druckluft aus dem Hauptgehäuse, sobald Ansammlungen von Schmutz um die und in den Lüftungsöffnungen zu sehen ist. Tragen Sie eine geprüfte Schutzmaske für die Augen und eine geprüfte Staubschutzmaske, wenn Sie diese Prozedur durchführen.



**WARNUNG:** Verwenden Sie niemals Lösungsmittel oder andere scharfe Chemikalien für die Reinigung von nichtmetallischen Teilen des Werkzeugs. Diese Chemikalien können die Materialien, die in diesen Teilen verwendet werden, aufweichen. Benutzen Sie nur einen mit Wasser befeuchteten Lappen und milde Seife. Verhindern Sie das Eindringen von Flüssigkeiten in das Werkzeug und tauchen Sie es niemals in eine Flüssigkeit.

## Lagerung

- Nach der Nutzung verwahren Sie das Werkzeug wieder in der Verpackung.

## UMWELTSCHUTZ



Geben Sie Rohstoffe zur Wiederverwertung und entsorgen Sie sie nicht als Abfall..

Zubehörteile und Verpackung sollten zur umweltfreundlichen Wiederverwertung aussortiert werden.

Getrennte Sammlung. Dieses Produkt darf nicht im normalen Haushaltsabfall entsorgt werden.

## Batterien und die Umwelt



Dieses Gerät verwendet Lithium Ionen (Li-Ion) Batterien. Wenn Batterien ausgetauscht werden müssen, empfehlen wir folgendes: Entladen Sie die Batterien vollständig und entfernen Sie sie aus dem Werkzeug.



Li-Ion

Li-Ionen-Zellen sind wiederverwertbar und dürfen nicht im Haushaltsabfall entsorgt werden. Es muss vermieden werden, dass sie in einer Müllverbrennungsanlage oder auf einer Mülldeponie enden.

Übergeben Sie die Batterien stattdessen einem Trend-Serviceemitarbeiter, einem örtlichen Trend-Fachhändler oder einer örtlichen Wiederverwertungsanlage. Wenn nötig, kontaktieren Sie die örtliche Stadtverwaltung, um Informationen über die Entsorgung zu erhalten. Die gesammelten Batterien werden dann ordnungsgemäß entsorgt und/oder der Wiederverwertung zugeführt.

## Private Nutzer

Lokale Verordnungen geben Auskunft über getrennte Entsorgung von elektrischen Haushaltsprodukten auf örtlichen Mülldeponien oder bei Einzelhändlern bei Kauf eines neuen Produkts. Bitte rufen Sie den Trend Kundenservice an, um sich über die umweltfreundliche und sichere Entsorgung von nicht mehr benötigten elektrischen Produkten von Trend beraten zu lassen oder besuchen Sie die website [www.trend-uk.com](http://www.trend-uk.com)

## Gewerbliche Nutzer

Bitte setzen Sie sich wegen der Entsorgung von nicht mehr benötigten elektrischen Produkten von Trend telefonisch mit dem Kundendienst in Verbindung.

## GEWÄHRLEISTUNG

Das Gerät besitzt eine Herstellergarantie gemäß den Bedingungen auf der beiliegenden Garantiekarte.

Um den Standort Ihres nächsten Trend-Servicearbeiters zu erfahren, rufen Sie bitte den Trend-Kundenservice an oder kontaktieren Sie den nächsten Fachhändler unter [www.trend-uk.com](http://www.trend-uk.com)

## FR - T18S/R14

Merci d'avoir acheté ce produit Trend, nous espérons qu'il vous procurera de nombreuses années d'usage créatif et productif.

N'oubliez pas de renvoyer votre carte de garantie dans les 28 jours de votre achat.

### CARACTÉRISTIQUES TECHNIQUES

Tension	VCC	18
Type de batterie		Li-Ion
Course du chariot plon-geant	mm	60
Dimension de mandrin RU et Irlande	mm	6,35 (1/4 po)
Dimension de mandrin Europe	mm	8
Régime à vide	min-1	10 000 - 30 000
Socle plongeant Diamètre maxi de fraise	mm	38.1
Base de trim diamètre maxi de fraise	mm	37.2
Socle plongeant Poids	kg	2.25
Base de garniture Poids	kg	1.36
Batterie*		
Capacité de la batterie	Ah	2
	Ah	4
	Ah	5
Chargeur*		
Tension d'entrée	V	220 - 240
Fréquence secteur	Hz	50/60
Tension de sortie	V	21
Courant de sortie	A	6
Temps de charge T18S/BA2A**	min	32
Temps de charge T18S/BA4AM**	min	48
Temps de charge T18S/BA5A**	min	54
* seulement pour les mo-dèles équipés d'une batte-rie et d'un chargeur		
** le temps de charge ne s'applique qu'à la batterie dont la capacité est mentionnée dans le tableau		
Les valeurs de bruit et de vibration (somme vecto-rielle triaxiale) sont dé-terminées conformément à la norme EN 62841-2-17		

Niveau de pression acoustique d'émission $L_{pA}$ (incertitude sur la pression acoustique donnée) $K_{pA}$	dB(A)	92.7 3
Niveau de puissance acoustique $L_{WA}$ (incertitude sur la pression acoustique donnée) $K_{WA}$	dB(A)	103.7 3
Valeur d'émission vibratoire $a_h =$ Incertitude $K =$	m/s <sup>2</sup>	2.549 1.5

Le niveau d'émission vibratoire et/ou de bruit indiqué dans cette fiche d'information a été mesuré conformément à un essai normalisé de la norme EN 62841 et peut être utilisé pour comparer un outil à un autre. Il peut être utilisé comme évaluation préliminaire d'exposition.



**AVERTISSEMENT:** Le niveau d'émission vibratoire déclaré représente l'usage principal de l'outil. Toutefois, si l'outil est utilisé pour d'autres usages, avec d'autres accessoires ou est mal entretenu, les émissions vibratoires peuvent être différentes.

Ceci peut augmenter notablement le niveau d'exposition sur la durée totale du travail. Une estimation du niveau d'exposition aux vibrations doit aussi prendre en compte les moments où l'outil est arrêté ou lorsqu'il est en marche mais pas effectivement au travail. Ceci peut réduire notablement le niveau d'exposition sur la durée totale de travail. Identifiez les mesures de sécurité supplémentaires permettant de protéger l'opérateur des effets secondaires des vibrations, telles que : entretenir l'outil et les accessoires, garder les mains au chaud, organiser les séquences de travail.

### DÉCLARATION DE CONFORMITÉ CE À LA DIRECTIVE MACHINE



### DÉFONCEUSE SANS FIL T18S/R14

Trend déclare que le produit décrit sous la rubrique Caractéristiques techniques est conforme à la norme: 2006/42/CE, et a été conçu selon les normes EN 62841-1:2015, EN 62841-2-17:2017.

Ces produits sont aussi conformes aux directives 2014/30/UE et 2011/65/UE. Pour en savoir plus, contactez Trend à l'adresse suivante ou consultez la

couverture du manuel. Le soussigné effectue cette déclaration pour le compte de Trend Tool Tehnology Ltd.



Neil McMillan  
Technical Director

Trend Tool Technology Ltd  
Odhams Trading Estate,,  
Watford, WD24 7TR,  
England  
01/08/2021

**Ansprechpartner  
Technische Datei**  
Trend Tool Technology Ltd  
3rd Floor, Kilmore House,  
Park Lane, Spencer Dock,  
Dublin 1, Ireland



**AVERTISSEMENT:** Pour réduire le risque de blessure, lisez le manuel d'instructions

#### Définitions: Directives de sécurité

Les définitions ci-dessous décrivent le niveau de gravité de chaque terme d'avertissement. Veuillez lire le manuel et prêter attention à ces symboles.



**DANGER:** Signale une situation de danger imminent qui, si elle n'est pas évitée, **conduira** à des **blessures graves voire mortelles**.



**AVERTISSEMENT:** Signale une situation potentiellement dangereuse qui, si elle n'est pas évitée, **pourrait** conduire à des **blessures graves voire mortelles**



**ATTENTION:** Signale une situation potentiellement dangereuse qui, si elle n'est pas évitée, **peut** conduire à des **blessures mineures ou modérées**.



**AVIS:** Signale une pratique **non associée** à des **blessures** qui, si elle n'est pas évitée, **peut** conduire à des **dommages matériels**.



Signale un risque d'électrocution.



Signale un risque d'incendie.



## AVERTISSEMENTS GÉNÉRAUX DE SÉCURITÉ CONCERNANT LES OUTILS ÉLECTRIQUES



**AVERTISSEMENT:** Lisez tous les avertissements, ainsi que toutes les instructions, illustrations et spécifications fournis avec cet outil électrique. Le non-respect de toutes les instructions mentionnées ci-dessous peut conduire à un choc électrique, à un incendie et/ou à des blessures graves.

## CONSERVEZ TOUS LES AVERTISSEMENTS ET TOUTES LES INSTRUCTIONS POUR RÉFÉRENCE ULTÉRIEURE

Le terme "outil électrique" dans les avertissements désigne votre outil électrique sur secteur (filaire) ou sur batterie (sans fil).

### 1) Sécurité électrique

a) **Maintenez la zone de travail propre et bien éclairée.** Cluttered or dark areas invite accidents.

b) **N'actionnez pas les outils électriques dans des atmosphères explosives, par exemple en présence de liquides, gaz ou poussières inflammables.** Les outils électriques créent des étincelles qui pourraient enflammer les poussières ou les fumées.

c) **Maintenez les enfants et les spectateurs à l'écart pendant l'utilisation d'un outil électrique.** Les distractions peuvent vous faire perdre le contrôle.

### 2) Electrical Safety

a) **Les fiches des outils électriques doivent correspondre à la prise murale. Ne modifiez jamais la fiche de quelque façon que ce soit. N'utilisez pas d'adaptateur avec les outils électriques mis à la terre.** Les fiches non modifiées sur des prises correspondantes réduisent le risque d'électrocution.

b) **Évitez tout contact du corps avec des surfaces mises à la terre telles que canalisations, radiateurs, fourneaux et réfrigérateurs.** Le risque d'électrocution est augmenté quand votre corps est mis à la terre.

c) **N'exposez pas les outils électriques à la pluie ou à l'humidité.** La pénétration d'eau dans un outil électrique augmente le risque d'électrocution.

d) **Ne maltraitez pas le cordon. N'utilisez jamais le cordon pour transporter, tirer ou débrancher l'outil électrique. Maintenez le cordon à l'écart de la chaleur, de l'huile, des bords coupants ou des pièces mobiles.** Les cordons endommagés ou emmêlés augmentent le risque d'électrocution.

e) **Pour utiliser un outil électrique à l'extérieur, utilisez une rallonge conçue pour l'utilisation en extérieur.** L'utilisation d'une rallonge conçue pour l'extérieur réduit le risque d'électrocution.

f) **Si l'utilisation d'un outil électrique dans un lieu humide est inévitable, utilisez une alimentation**

protégée par un dispositif différentiel à courant résiduel (DDR). L'utilisation d'un DDR réduit le risque d'électrocution.

### 3) Sécurité des personnes

**a) Restez attentif, surveillez ce que vous faites et faites preuve de bon sens quand vous utilisez un outil électrique. N'utilisez pas d'outil électrique quand vous êtes fatigué ou sous l'influence de drogues, d'alcool ou de médicaments.** Un moment d'inattention pendant l'utilisation de l'outil électrique peut conduire à des blessures graves.

**b) Utilisez un équipement de protection individuelle. Portez toujours une protection oculaire.** Les équipements de protection tels que masque antipoussière, chaussures de sécurité antidérapantes, casque ou protections auditives utilisés dans les conditions appropriées réduisent les risques de blessure.

**c) Évitez un démarrage accidentel. Assurez-vous que l'interrupteur est en position arrêt avant de brancher l'outil à la source d'alimentation ou au bloc batterie, avant de le saisir ou avant de le transporter.** Le transport d'outils électriques avec le doigt sur l'interrupteur ou la mise sous tension d'outils électriques avec l'interrupteur activé favorise les accidents.

**d) Retirez les clés ou outils de réglage avant de démarrer l'outil électrique.** Une clé ou outil de réglage fixé à une pièce tournante de l'outil électrique peut causer des blessures.

**e) Ne travaillez pas en extension. Maintenez un appui et un équilibre correct à tout moment.** Ceci permet un meilleur contrôle de l'outil électrique dans des situations inattendues.

**f) Portez une tenue adéquate. Ne portez pas de vêtements amples ni de bijoux. Maintenez les cheveux et les vêtements à l'écart des pièces mobiles.** Les vêtements amples, bijoux ou cheveux longs peuvent se coincer dans les pièces mobiles.

**g) Si des dispositifs sont prévus pour le raccordement de systèmes d'extraction et de collecte de poussière, assurez-vous qu'ils sont raccordés et correctement utilisés.** L'utilisation d'un système de collecte de poussière peut réduire les dangers dus aux poussières.

**h) Ne laissez pas les habitudes dues à une utilisation fréquente des outils vous conduire à la négligence et à ignorer les principes de sécurité des outils.** Une activation sans précaution peut causer des blessures graves en une fraction de seconde.

### 4) Utilisation et entretien de l'outil électrique

**a) Ne forcez pas sur l'outil électrique. Utilisez l'outil électrique adapté à votre application.** L'outil électrique correct fera un meilleur travail et de manière plus sûre à la vitesse pour laquelle il a été conçu.

**b) N'utilisez pas l'outil électrique si l'interrupteur ne permet pas de le mettre en route et de l'arrêter.** Tout outil électrique qui ne peut pas être commandé par l'interrupteur est dangereux et doit être réparé.

**c) Débranchez la fiche de la source d'alimentation et/ou du bloc batterie, s'il est amovible, de l'outil électrique avant d'effectuer tout réglage, tout changement d'accessoire ou avant de ranger l'outil électrique.** Ces mesures de sécurité préventives réduisent le risque en cas de démarrage accidentel de l'outil électrique.

**d) Stockez les outils électriques hors de portée des enfants quand ils ne sont pas utilisés et ne laissez pas des personnes ne connaissant pas l'outil électrique ou ses instructions l'utiliser.** Les outils électriques sont dangereux entre les mains d'utilisateurs non formés.

**e) Entretenez les outils électriques et leurs accessoires. Recherchez les éventuels défauts d'alignement ou coincements de pièces mobiles, ruptures de pièces et toute autre condition pouvant gêner le fonctionnement des outils électriques. S'il est endommagé, faites réparer l'outil électrique avant de l'utiliser.** Beaucoup d'accidents ont pour cause un mauvais entretien des outils électriques.

**f) Maintenez les outils de coupe affûtés et propres.** Un entretien correct des outils de coupe à bords affûtés réduit la probabilité de coincement et facilite le contrôle.

**g) Utilisez l'outil électrique, ses accessoires et forêts, etc. conformément à ces instructions, en prenant en compte les conditions de travail et le travail à accomplir.** L'utilisation de l'outil électrique pour des opérations différentes de celles prévues pourrait conduire à une situation dangereuse.

**h) Maintenez les poignées et prises propres, sèches et sans huile ni graisse.** Des poignées et prises glissantes compromettent la sécurité de manipulation et de contrôle de l'outil en situation inattendue.

### 5) Utilisation et entretien de l'outil à batterie

**a) N'utilisez pour la recharge que le chargeur préconisé par le constructeur.** Un chargeur convenant pour un certain type de bloc batterie peut causer un risque d'incendie en cas d'utilisation avec un autre bloc batterie.

**b) N'utilisez les outils électriques qu'avec les blocs batterie spécifiquement conçus pour eux.** L'utilisation de tout autre type de bloc batterie peut causer un risque de blessure et d'incendie.

**c) Quand le bloc batterie n'est pas utilisé, maintenez-le à l'écart des autres objets métalliques, tels que trombones, pièces de**

**monnaie, clés, clous, vis ou autres petits objets métalliques qui pourraient créer un court-circuit entre les bornes.** Un court-circuit entre les bornes de la batterie peut causer des brûlures ou un incendie.

**d) En cas d'utilisation abusive, du liquide peut être éjecté de la batterie ; évitez tout contact avec ce liquide. En cas de contact accidentel, rincez à l'eau. En cas de contact du liquide avec les yeux, consultez immédiatement un médecin.** Le liquide éjecté de la batterie peut causer des irritations ou des brûlures.

**e) N'utilisez pas un bloc batterie ou un outil endommagé ou modifié.** Les batteries endommagées ou modifiées peuvent avoir un comportement imprévisible pouvant conduire à un incendie, à une explosion ou à un risque de blessure.

**f) N'exposez pas un bloc batterie ou un outil au feu ni à une température excessive.** L'exposition au feu ou à une température dépassant 130°C peut causer une explosion.

**g) Respectez toutes les instructions de charge et ne chargez pas le bloc batterie ni l'outil en dehors de la plage de température spécifiée dans les instructions.** Une charge incorrecte ou à des températures hors de la plage spécifiée peut endommager la batterie et augmenter le risque d'incendie.

## 6) Réparation

**a) Faites réparer votre outil électrique par un réparateur qualifié avec exclusivement des pièces de rechange identiques.** Ceci permettra d'assurer la continuité de la sécurité de l'outil électrique.

**b) Ne réparez jamais des blocs batterie endommagés.** La réparation des blocs batterie ne doit être effectuée que par le fabricant ou des prestataires de service agréés.

## Règles de sécurité supplémentaires spécifiques pour les défonceuses compactes

- **Utilisez des brides, serre-joints ou autres méthodes pratiques pour fixer la pièce à travailler sur une plate-forme stable.** Le maintien de la pièce à travailler à la main ou contre votre corps la rend instable et peut conduire à une perte de contrôle.
- **NE PAS travailler de métal.**
- **Maintenez les poignées et surfaces de prises propres, sèches et sans huile ni graisse.** Ceci permettra un meilleur contrôle de l'outil.
- **Maintenez une prise ferme des deux mains sur l'outil pour résister au couple de démarrage.** Maintenez une prise ferme sur l'outil en permanence pendant l'utilisation.

- **Respectez toujours les recommandations de régime du constructeur de la fraise, car certains modèles de fraise exigent des régimes particuliers pour des raisons de sécurité ou de performances.** En cas de doute sur le régime approprié ou en cas de problème quel qu'il soit, contactez le fabricant de la fraise.
- **Maintenez les mains à l'écart de la zone de coupe. Ne passez jamais la main sous la pièce à travailler pour quelque motif que ce soit.** Maintenez le socle de la défonceuse fermement en contact avec la pièce à travailler pendant le travail.
- **Ne faites jamais tourner le moteur sans qu'il soit inséré dans l'un des socles de la défonceuse.** Le moteur n'est pas conçu pour être tenu à la main.
- **Maintenez la pression de travail constante.** Ne surchargez pas le moteur.
- **Utilisez des fraises bien affûtées.** Les fraises émoussées peuvent causer des oscillations ou un calage de la défonceuse sous la pression.
- **Assurez-vous que le moteur a complètement cessé de tourner avant de reposer la défonceuse.** Si la fraise tourne toujours quand vous posez l'outil, cela risque d'entraîner des blessures ou des dégâts.
- **Assurez-vous que la fraise est dégagée de la pièce de travail avant de démarrer le moteur.** Si la fraise est en contact avec la pièce de travail au démarrage du moteur, la défonceuse risque de donner des à-coups susceptibles de causer des dommages ou des blessures.
- **Retirez TOUJOURS la batterie avant d'effectuer tout réglage ou de changer de fraise.**
- **Gardez les mains à l'écart des fraises tant que le moteur tourne pour éviter les blessures.**
- **Ne touchez jamais la fraise juste après l'utilisation. Elle peut être extrêmement chaude.**
- **Prévoyez un dégagement sous la pièce de travail pour le passage de la fraise en cas de coupe traversante.**
- **Serrez à fond l'écrou du mandrin pour éviter tout glissement de la fraise.**
- **Ne serrez jamais l'écrou du mandrin sans fraise.**
- **N'utilisez pas de fraise d'un diamètre supérieur à 35 mm avec cet outil.**
- **Évitez la coupe montante (coupe dans le sens opposé à celui indiqué sur la Figure 20a). La coupe montante augmente les risques de perte de contrôle pouvant causer des blessures.**
- Utilisez toujours des fraises droites, des fraises à feuilurer, des fraises de profil, des fraises à rainurer ou des fraises à gorge dont le diamètre de queue correspond à la di-mension du mandrin de votre outil.
- Utilisez toujours des fraises adaptées à un régime minimal de 30000 min<sup>-1</sup> et repérées en conséquence.

- **Ne tenez pas la défonceuse à la main en position retournée ou horizontale.** Le moteur pourrait se séparer du socle s'il n'est pas fixé correctement selon les instructions.
- Avant de démarrer le moteur, dégagez la zone de travail de tous les corps étrangers.
- **Maintenez toujours le protège-copeaux (le cas échéant) propre et en position.**
- **N'appuyez pas sur le bouton de verrouillage de broche tant que le moteur tourne. Ceci pourrait endommager le verrou de broche.**
- **Assurez-vous toujours que la surface de travail est exempte de clous et autres corps étrangers.** Le passage sur un clou peut causer un mouvement brutal de la fraise et de l'outil.

## RISQUES RÉSIDUELS

Malgré le respect des règlements de sécurité pertinents et la mise en œuvre de dispositifs de sécurité, certains risques résiduels ne peuvent pas être évités. Il s'agit notamment de:

- Perte auditive.
- Risque de blessure dû à la projection de particules.
- Risque de brûlures dû à l'échauffement des accessoires pendant l'utilisation.
- Risque de blessure dû à une utilisation prolongée

## CONSERVEZ CES INSTRUCTIONS



### Sécurité électrique

Le moteur électrique a été conçu pour une seule tension. Vérifiez toujours que la tension du bloc batterie correspond à celle de la plaque signalétique. Assurez-vous aussi que la tension de votre chargeur correspond à celle de votre prise secteur.



Votre chargeur Trend est à double isolation, conformément à la norme EN60335 ; donc aucun fil de terre n'est nécessaire.

Si le cordon d'alimentation est endommagé, il doit être remplacé par un cordon spécifiquement conçu, disponible auprès du service après-vente Trend.

### Remplacement de la fiche secteur (Royaume-Uni et Irlande uniquement)

S'il faut monter une nouvelle fiche secteur

- Éliminez correctement l'ancienne fiche..
- Branchez le fil marron à la borne de phase de la fiche.
- Branchez le fil bleu à la borne de neutre.



**AVERTISSEMENT:** La borne de terre ne doit pas être raccordée.

Suivez les instructions de pose fournies avec les fiches de bonne qualité. Fusible recommandé: 3A.

## Utilisation d'une rallonge

Les rallonges ne doivent être utilisées qu'en cas d'absolue nécessité. Utilisez une rallonge homologuée adaptée à la puissance d'entrée de votre chargeur (voir Caractéristiques techniques). La section minimale des conducteurs est de 1mm<sup>2</sup> ; la longueur maximale est de 30m.

En cas d'utilisation d'un dérouleur, déroulez toujours complètement le câble.



## Instructions de sécurité importantes pour tous les chargeurs de batterie

### CONSERVEZ CES INSTRUCTIONS:

Ce manuel contient des instructions de sécurité et d'utilisation importantes pour les chargeurs de batterie compatibles (consultez les Caractéristiques techniques).

- Avant d'utiliser le chargeur, lisez toutes les instructions et tous les marquages d'avertissement sur le chargeur, le bloc batterie et le produit qui utilise le bloc batterie.



**AVERTISSEMENT:** Danger d'électrocution. Ne laissez aucun liquide pénétrer à l'intérieur du chargeur. Cela pourrait causer une électrocution.



**AVERTISSEMENT:** Nous recommandons l'utilisation d'un dispositif différentiel à courant résiduel de calibre 30 mA ou moins.



**ATTENTION:** Risque de brûlure. Pour réduire le risque de blessure, ne chargez que les batteries rechargeables Trend. Les autres types de batterie peuvent exploser et causer des blessures et des dégâts.



**ATTENTION:** Les enfants doivent être surveillés pour s'assurer qu'ils ne jouent pas avec l'appareil.

**AVIS:** Dans certaines conditions, quand le chargeur est branché sur l'alimentation, les contacts de charge apparents à l'intérieur du chargeur pourraient être court-circuités par des corps étrangers. Les corps étrangers conducteurs tels que, mais sans limitation, laine d'acier, papier aluminium ou autre accumulation de particules métalliques, doivent être éloignés des logements du chargeur. Débranchez toujours le chargeur

de l'alimentation quand il n'y a pas de bloc batterie dans le logement. Débranchez le chargeur avant de tenter de le nettoyer.

- **Les jeunes enfants et les infirmes.** Cet appareil n'est pas destiné à être utilisé par de jeunes enfants ni par des personnes infirmes sans surveillance.
- Ce produit n'est pas destiné à être utilisé par des personnes (y compris les enfants) dont les capacités physiques, sensorielles ou mentales sont diminuées, ou manquant d'expérience, de connaissances ou de compétences, sauf sous la supervision d'une personne responsable de leur sécurité. Les enfants ne doivent jamais être laissés à jouer seuls avec ce produit.
- **NE tentez PAS de charger le bloc batterie avec tout autre chargeur que ceux mentionnés dans ce manuel.** Le chargeur et le bloc batterie sont conçus spécifiquement pour fonctionner ensemble.
- **Ces chargeurs ne sont pas destinés à tout autre usage que la recharge de batteries rechargeables Trend.** Toute autre utilisation peut conduire à un risque d'incendie, de choc électrique ou d'électrocution.
- **N'exposez pas le chargeur à la pluie ni à la neige.**
- **Tirez la fiche plutôt que le cordon pour débrancher le chargeur.** Ceci réduit le risque d'endommager la fiche et le cordon électrique.
- **Assurez-vous que le cordon est disposé de façon à éviter tout trébuchement, écrasement ou autre dommage ou contrainte.**
- **N'utilisez une rallonge qu'en cas d'absolue nécessité.** L'utilisation d'une rallonge incorrecte pourrait conduire à un risque d'incendie, de choc électrique ou d'électrocution.
- **Ne placez aucun objet par-dessus le chargeur et ne placez pas le chargeur sur une surface molle qui pourrait obstruer les fentes de ventilation et conduire à un dégagement de chaleur interne excessif.** Placez le chargeur à l'écart de toute source de chaleur. La ventilation du chargeur est assurée par des fentes en haut et en bas du boîtier.
- **N'utilisez pas le chargeur avec un cordon ou une fiche endommagé** — faites-les remplacer immédiatement
- **N'utilisez pas le chargeur s'il a reçu un choc violent, est tombé ou a été autrement endommagé de quelque façon que ce soit.** Confiez-le à un centre de service après-vente agréé.
- **Ne démontez pas le chargeur ; confiez-le à un centre de service après-vente agréé s'il a besoin d'intervention ou de réparation.** Un remontage incorrect pourrait conduire à un risque de choc électrique, d'électrocution ou d'incendie.
- Si le cordon d'alimentation est endommagé, il doit être remplacé immédiatement par le fabricant, son agent de service après-vente ou une personne de qualification comparable pour éviter tout danger.

- **Débranchez le chargeur de la prise avant de tenter tout nettoyage. Ceci limitera le risque de choc électrique.** Le retrait du bloc batterie ne réduit pas ce risque.
- **NE tentez JAMAIS** de relier 2 chargeurs ensemble.
- **Le chargeur est conçu pour une alimentation électrique domestique standard de 230 V. Ne tentez pas de l'utiliser sur toute autre tension.** Ceci ne s'applique pas au chargeur pour véhicule.
- **Assurez-vous de vérifier que le chargeur est en position stable et sûre.** Une chute de la batterie ou du chargeur peut présenter un risque de blessure pour vous-même ou pour d'autres.

## CONSERVEZ CES INSTRUCTIONS

### Chargeurs

Les chargeurs Trend n'exigent aucun réglage et sont conçus pour être aussi faciles à utiliser que possible.

Le chargeur T18S/CH6A accepte les blocs batterie Li-Ion 18 V Trend (T18S/BA2A, T18S/BA4AM et T18S/BA5A).



**AVERTISSEMENT:** Ne chargez qu'avec des chargeurs 18 V compatibles. L'utilisation d'autres chargeurs peut causer un incendie, des dommages ou des blessures graves.

### Charge et utilisation d'une batterie - (Fig. 4 - 4d)



- Le bloc batterie de cet outil a été livré en état de faible charge pour éviter les problèmes possibles. Vous devez donc le charger jusqu'à l'allumage du voyant LED vert à l'avant droit du chargeur.
- **REMARQUE:** Les batteries n'atteindront pas leur état de pleine charge à la première charge. Il faudra plusieurs cycles (utilisation et recharge) pour qu'elles atteignent leur pleine charge.
- Commencez par lire les instructions de sécurité et respectez les instructions de charge.
- Branchez le chargeur sur une prise secteur standard 230 V~50 Hz, le voyant LED vert à l'avant gauche du chargeur doit s'allumer.
- Évitez les nœuds et les pincements dans le câble.
- Placez le bloc batterie sur le socle du chargeur. (Remarquez que la forme du bloc batterie ne permet de l'engager sur le chargeur que d'une seule façon). Réglez le temps de charge sur 32, 48, 54 minutes seulement.
- Le voyant LED rouge à l'avant droit du chargeur s'allume pour signaler que la charge est en cours. Un voyant LED vert s'allumera quand la batterie sera pleinement chargée.
- Débranchez le chargeur quand il n'est pas utilisé et



ranger-le dans une armoire appropriée.

- Évitez de charger votre batterie par temps de gel car la puissance de charge ne serait pas suffisante.
- En cas de charge de plus d'un bloc batterie, laissez refroidir le chargeur au moins 30 minutes avant de charger une autre batterie.
- Retirez toujours le bloc batterie pour le ranger en sécurité quand l'outil n'est pas utilisé.



**ATTENTION:** Si à un moment quelconque pendant la charge aucun des voyants LED n'est allumé, retirez le bloc batterie du chargeur pour éviter d'endommager le produit. N'insérez JAMAIS une autre batterie.

### Système de refroidissement

Le chargeur est équipé d'un ventilateur interne conçu pour refroidir le chargeur. N'utilisez jamais le chargeur si le ventilateur ne fonctionne pas correctement ou si les fentes de ventilation sont obstruées. Ne laissez pas pénétrer de corps étranger à l'intérieur du chargeur.

### Temporisation pour bloc batterie chaud/froid

Quand le chargeur détecte que le bloc batterie est trop chaud ou trop froid, il lance automatiquement une temporisation de bloc chaud/froid, et suspend la charge jusqu'à ce que le bloc batterie atteigne une température appropriée. Le chargeur passe alors automatiquement en mode de charge du bloc batterie. Cette fonction assure une durée de vie optimale du bloc batterie.

### Système de protection électronique

Les outils Li-Ion de Trend sont conçus avec un système de protection électronique qui protège le bloc batterie contre toute surcharge, surchauffe ou décharge profonde.

L'outil s'éteint automatiquement en cas d'activation du système de protection électronique.

### Charge de batterie à l'intérieur

Ce chargeur est conçu pour être utilisé à l'intérieur. Nous ne recommandons pas son utilisation dans votre domicile. Dans l'idéal, les batteries devraient être chargées sur un établi dans un atelier, garage ou appentis. Si la charge doit être effectuée à domicile, la zone doit être bien ventilée et le chargeur placé sur une surface non combustible en s'assurant que les fentes de ventilation ne sont pas obstruées.

### Montage mural

Ces chargeurs sont conçus pour pouvoir être montés au mur ou posés verticalement sur une table ou un plan de travail. En cas de montage mural, positionnez le chargeur à proximité d'une prise électrique et à l'écart d'un angle rentrant ou autre obstacle qui pourrait gêner la circulation de l'air. Utilisez le dos du chargeur comme gabarit pour l'emplacement des vis de fixation au mur. Montez correctement le chargeur avec des fixations

adaptées au type de mur, d'un diamètre de 7 – 9 mm et d'une longueur recommandée de 25 mm. Laissez une longueur de vis apparente suffisante pour permettre la pose du chargeur. Alignez les fentes à l'arrière du chargeur sur les vis apparentes et engagez-les à fond dans les fentes.

### Instructions de nettoyage du chargeur



**AVERTISSEMENT:** Danger d'électrocution. Débranchez le chargeur de la prise secteur avant le nettoyage. Vous pouvez éliminer la saleté et la graisse de l'extérieur du chargeur à l'aide d'un chiffon ou d'une brosse douce non métallique. N'utilisez pas d'eau ni de produit de nettoyage liquide. Ne laissez jamais aucun liquide pénétrer à l'intérieur de l'outil ; n'immergez jamais une quelconque partie de l'outil dans un liquide.



### Blocs batterie

#### Instructions de sécurité importantes pour tous les blocs batterie

Quand vous commandez des blocs batterie de rechange, assurez-vous d'inclure la référence du produit et la tension.

Le bloc batterie n'est pas chargé à fond à la sortie de la boîte. Avant d'utiliser le bloc batterie et le chargeur, lisez les instructions de sécurité ci-dessous. Respectez ensuite les procédures de charge indiquées.

### LISEZ TOUTES LES INSTRUCTIONS

- **Ne chargez pas et n'utilisez pas la batterie en atmosphère explosive, par exemple en présence de liquides, de gaz ou de poussières inflammables.** L'insertion ou le retrait de la batterie du chargeur peut enflammer les poussières ou les fumées.
- **Ne forcez jamais pour engager le bloc batterie dans le chargeur. Ne modifiez pas le bloc batterie de quelque façon que ce soit pour l'adapter à un chargeur non compatible, car le bloc batterie risquerait de se rompre et de causer des blessures graves.**
- Ne chargez les blocs batterie que dans des chargeurs Trend.
- **NE PAS** éclabousser ni immerger dans l'eau ni dans d'autres liquides.
- **Ne pas stocker ni utiliser l'outil et le bloc batterie dans des lieux où la température pourrait tomber en dessous de 4°C (34°F) (par exemple dans des appentis extérieurs ou des bâtiments métalliques en hiver), ni qui pourraient atteindre ou dépasser 40°C (104°F) (par exemple dans des appentis extérieurs ou des bâtiments métalliques en été).**

- **Ne pas incinérer le bloc batterie même s'il est gravement endommagé ou complètement usé.** Le bloc batterie peut exploser au feu. Des fumées et matières toxiques se dégagent lors de la combustion des blocs batterie lithium-ion.
- **Si le contenu de la batterie entre en contact avec la peau, rincez immédiatement la zone touchée à l'eau savonneuse.** Si du liquide de batterie entre en contact avec l'œil, rincez à grande eau l'œil ouvert pendant 15 minutes ou jusqu'à la disparition de l'irritation. Si vous consultez un médecin, l'électrolyte de la batterie est composé d'un mélange de carbonates organiques liquides et de sels de lithium.
- **Le contenu des éléments de batterie ouverts peut causer un irritation respiratoire.** Amenez à l'air libre. Si les symptômes persistent, consultez un médecin.



**AVERTISSEMENT: Risque de brûlure.**  
Le liquide de la batterie peut être inflammable s'il est exposé à des étincelles ou à une flamme.



**AVERTISSEMENT:** Ne tentez jamais d'ouvrir le bloc batterie pour quelque raison que ce soit. Si le boîtier du bloc batterie est fissuré ou endommagé, ne l'insérez pas dans le chargeur. Ne pas écraser, faire tomber ni endommager le bloc batterie. N'utilisez pas un bloc batterie ni un chargeur qui a reçu un choc violent, est tombé, est passé sous un véhicule ou a été endommagé de quelque façon que ce soit (par exemple percé par un clou, frappé par un marteau, écrasé au pied). Il y a risque de choc électrique ou d'électrocution. Les blocs batterie endommagés doivent être renvoyés au centre de service après-vente pour recyclage.



**AVERTISSEMENT: Danger d'incendie.**  
Ne stockez pas et ne transportez pas le bloc batterie de façon qui permette à des objets métalliques d'entrer en contact avec les bornes apparentes de la batterie. Par exemple, ne placez pas le bloc batterie dans des tabliers, poches, boîtes à outils, cartons de produits, tiroirs, etc. contenant des clous, vis, clés, etc.



**ATTENTION:** Quand il n'est pas utilisé, placez l'outil de côté sur une surface stable où il ne risquera pas de causer un risque de trébuchement ou de chute. Certains outils avec gros blocs batterie se tiennent verticalement sur le bloc batterie mais peuvent basculer facilement s'ils sont heurtés.

## Utilisation de la batterie



### État de charge

Pour afficher la quantité de charge restante dans la batterie, appuyez sur le bouton de voyant d'état de charge (Fig.2a). La Fig. 2b présente la relation entre les indications des voyants LED et la charge restante.

**REMARQUE:** L'indicateur de niveau de charge de batterie ne fournit qu'une indication de la charge restante sur le bloc batterie. Il n'indique pas la fonctionnalité de l'outil et peut varier en fonction des composants du produit, de la température et de l'usage prévu par l'utilisateur final.

### Autodécharge

Une batterie au lithium peut s'autodécharger et perdre sa charge au cours du temps. En général, elle peut perdre environ 5 % de sa charge le premier mois après une charge complète (en cas de stockage à température ambiante), puis perdre 3 % supplémentaires par mois. L'autodécharge est accélérée en cas de stockage à haute température.

### Transport



**AVERTISSEMENT: Danger d'incendie.**  
Le transport de batteries peut créer un incendie si les bornes de la batterie entrent en contact intempestif avec des matériaux conducteurs. Pour le transport des batteries, assurez-vous que leurs bornes sont protégées et bien isolées des matériaux qui pourraient entrer en contact avec elles et causer un court-circuit.

**REMARQUE:** Les batteries lithium-ion ne doivent pas être transportées dans des bagages enregistrés.

Les batteries Trend sont conformes à tous les règlements d'expédition applicables prescrits par les normes industrielles et légales, notamment les Recommandations relatives au transport des marchandises dangereuses des Nations Unies ; le règlement sur les matières dangereuses de l'IATA (International Air Transport Association), les règlements IMDG (International Maritime Dangerous Goods) et l'Accord européen relatif au transport international des marchandises dangereuses par route (ADR). Les éléments et batteries lithium-ion ont été testés selon la section 38.3 Recommandations relatives au transport des marchandises dangereuses des Nations Unies, Manuel d'épreuves et de critères.

Dans la plupart des cas, l'expédition d'un bloc batterie Trend sera exemptée de classement comme matière dangereuse totalement réglementée de Classe 9. En général, seules les expéditions contenant une batterie lithium-ion d'énergie nominale supérieure à 100 Watts heure (Wh) exigera une expédition en tant que marchandise totalement réglementée de Classe 9.

Toutes les batteries lithium-ion ont leur capacité

nominale en Watts heure indiquée sur le bloc. De plus, du fait de la complexité de la réglementation, Trend ne recommande pas l'expédition aérienne des blocs batterie lithium-ion seuls, quelle que soit leur capacité nominale en Watts heure. L'expédition d'outils avec batteries (kits combinés) par voie aérienne est possible par exception si la capacité nominale du bloc batterie ne dépasse pas 100 Wh.

Qu'une expédition soit considérée ou non comme exceptée ou totalement réglementée, il est de la responsabilité de l'expéditeur de consulter les plus récents règlements concernant l'emballage, l'étiquetage/marquage et les exigences de documentation.

Les informations fournies dans la présente section du manuel sont fournies de bonne foi et considérées comme exactes lors de la rédaction du document. Toutefois, ceci ne constitue en aucun cas une garantie explicite ni implicite. Il est de la responsabilité de l'acheteur de s'assurer que ses activités sont conformes aux règlements applicables.

### Recommandations de stockage

Le stockage optimal se fait dans un lieu frais et sec, à l'écart de la lumière directe du soleil et de toute chaleur ou froid excessif. Pour obtenir de meilleures performances et la meilleure durée de vie de la batterie, stockez les blocs batterie à température ambiante quand vous ne les utilisez pas.

Pour un stockage prolongé, il est recommandé de stocker un bloc batterie chargé à fond dans un lieu frais et sec et en dehors du chargeur pour de meilleurs résultats.

**REMARQUE:** Les blocs batterie ne doivent pas être stockés complètement déchargés. Le bloc batterie devra être rechargé avant utilisation.

### Étiquettes sur le chargeur et le bloc batterie

En plus des pictogrammes utilisés dans ce manuel, les étiquettes sur le chargeur et le bloc batterie peuvent présenter les pictogrammes suivants : -



Lire le manuel d'instructions avant l'utilisation.



Voir les Caractéristiques techniques pour le temps de charge.



Batterie en cours de charge.



Batterie chargée.



Batterie défectueuse.



Charge différée (Batterie en cours de refroidissement ou batterie trop froide).



Ne pas sonder avec des objets conducteurs.



Ne pas charger de blocs batterie endommagés.



Ne pas exposer à l'eau.



Faire remplacer immédiatement les cordons défectueux.



Ne charger qu'entre 4C et 40C.



Pour usage intérieur uniquement.



Li-ion Éliminer le bloc batterie dans le respect des lois sur l'environnement.



Ne pas incinérer le bloc batterie.

### ARTICLES LIVRÉS

- 1 x Corps de défonceuse
- 1 x Socle plongeant de défonceuse
- 1 x Socle réglable de défonceuse
- 1 x Mandrin 1/4 pouce (6,35 mm) pour RU, 8 mm pour Europe
- 1 x Guide latéral de socle plongeant
- 1 x Guide latéral de socle réglable
- 1 x Cône et broche d'alignement
- 1 x Bague guide de 16 mm
- 1 x Clé plate
- 1 x Embout d'aspiration de poussière pour socle plongeant
- 1 x Embout d'aspiration de poussière pour socle réglable
- 1 x Batterie mince 4 Ah (sauf modèles Corps uniquement)
- 1 x Chargeur 6A (sauf modèles Corps uniquement)
- 1 x Mallette de protection robuste

**REMARQUE:** Les blocs batterie, chargeurs et cartons de kit ne sont pas inclus avec les modèles B.

- Vérifiez que l'outil, les pièces ou les accessoires n'ont pas été endommagés pendant le transport.
- Prenez le temps de lire attentivement et de parfaitement comprendre ce manuel avant l'utilisation.

### MARQUAGES SUR L'OUTIL

Les pictogrammes suivants sont présentés sur l'outil:



Lire le manuel d'instructions avant l'utilisation.



Porter une protection auditive.



Porter une protection oculaire.



Porter une protection pour les mains.

### Emplacement du code de date

L'année de fabrication est indiquée sur la plaque signalétique.

## DESCRIPTION DES PIÈCES - (Fig. 1)

- A.** Bouton On/Off
- B.** Bouton de verrouillage
- C.** Molette de réglage de vitesse
- D.** Corps du moteur
- E.** Crémaillère de corps de moteur
- F.** Mandrin
- G.** allette de protection robuste
- H.** Bouton de verrouillage de broche
- I.** Broche
- J.** Éclairage de travail
- K.** Logement de batterie
- L.** Levier de verrouillage de plongée du socle plongeant
- M.** Socle plongeant
- N.** Boutons de guide latéral de socle plongeant
- O.** Butée de tourelle de socle plongeant
- P.** Butée de profondeur de socle plongeant
- Q.** Bouton de réglage micrométrique de butée de profondeur
- R.** Indicateur de butée de profondeur
- S.** Bouton de verrouillage de butée de profondeur
- T.** Échelle de butée de profondeur
- U.** Pince de corps de socle plongeant
- V.** Poignées latérales de socle plongeant
- W.** Coulisse de socle plongeant
- X.** Vis de fixation de socle plongeant
- Y.** Guide latéral parallèle de socle plongeant
- Z.** Socle réglable
- AA.** Pince de corps de socle réglable
- BB.** Coulisse de socle réglable
- CC.** Pignon et bouton de socle réglable
- DD.** Vis de fixation de coulisse de socle réglable
- EE.** Guide latéral parallèle de socle réglable
- FF.** Bouton de verrouillage de guide latéral parallèle de socle réglable
- GG.** Broche de centrage de bague guide ¼ po / 8 mm
- HH.** Cône de centrage de bague guide
- II.** Clé pour écrou de mandrin
- JJ.** Bague guide de 16 mm
- KK.** Vis de fixation de bague guide
- LL.** Embout d'aspiration de poussière de socle plongeant
- MM.** Embout d'aspiration de poussière de socle réglable
- NN.** Bouton d'embout d'aspiration de poussière de socle réglable
- OO.** Batterie (sauf modèles Corps uniquement)
- PP.** Chargeur (sauf modèles Corps uniquement)

## USAGE PRÉVU

Cette défonceuse sans fil a été conçue pour des travaux courants de défonceage de bois, dérivés de bois et plastiques.

**NE PAS** utiliser en présence d'humidité, de liquides ou gaz inflammables.

**NE PAS** laisser les enfants entrer en contact avec cet outil. Une supervision est indispensable en cas d'utilisation de cet outil par des opérateurs inexpérimentés.

- **Les jeunes enfants et les infirmes.** Cet appareil n'est pas destiné à être utilisé par de jeunes enfants ni par des personnes infirmes sans surveillance.
- Ce produit n'est pas destiné à être utilisé par des personnes (y compris les enfants) dont les capacités physiques, sensorielles ou mentales sont diminuées, ou manquant d'expérience, de connaissances ou de compétences, sauf sous la supervision d'une personne responsable de leur sécurité. Les enfants ne doivent jamais être laissés seuls avec ce produit.

## MONTAGE ET RÉGLAGES



**AVERTISSEMENT:** Pour réduire le risque de blessure grave, arrêtez l'outil et débranchez le bloc batterie avant tout réglage ou dépose/pose d'accessoires ou fixations. Un démarrage intempestif peut causer des blessures.



**AVERTISSEMENT:** N'utilisez que des blocs batterie et chargeurs Trend.

## État de charge de la batterie - (Fig. 2 - 2a)

Pour afficher la quantité de charge restante dans la batterie, appuyez sur le bouton de voyant d'état de charge

**REMARQUE:** L'indicateur de niveau de charge de la batterie ne fournit qu'une indication de la charge restante sur le bloc batterie. Il n'indique pas la fonctionnalité de l'outil et peut varier en fonction des composants du produit, de la température et de l'usage prévu par l'utilisateur final.

## Insertion et retrait du bloc batterie de l'outil - (Fig. 3 - 3a)



**REMARQUE:** Assurez-vous que votre bloc batterie est chargé à fond.

**REMARQUE:** Pour éviter des blessures graves, retirez toujours le bloc batterie et dégagez les mains du bouton de verrouillage pour transporter ou porter l'outil.

Une mise en place incorrecte du bloc batterie peut endommager les composants internes.

### **Pour installer le bloc batterie** **dans la poignée de l'outil - (Fig. 3)**

- Alignez le bloc batterie sur les rails à l'intérieur du logement de batterie de l'appareil.
- Glissez le bloc batterie à fond dans son logement en vous assurant d'entendre l'encliquetage du verrou.

### **Retrait du bloc batterie de l'outil** **- (Fig. 3a)**


- Appuyez sur le bouton de libération et tirez fermement le bloc batterie pour le sortir de son logement.
- Insérez le bloc batterie dans le chargeur comme indiqué dans la section Chargeur de ce manuel.

### **Insertion du corps du moteur** **dans le socle plongeant - (Fig. 5 & 5b)**

- Ouvrez le levier de verrouillage du socle plongeant, en vous assurant de placer le bouton de verrouillage de broche vers l'avant, puis insérez l'outil à fond dans le socle plongeant en alignant la rainure de l'outil sur l'ergot du socle plongeant.
- Fermez le levier de verrouillage.
- Pour retirer le socle, inversez la procédure d'installation.

### **Insertion du corps du moteur** **dans le socle réglable - (Fig. 5a)**

- Ouvrez le levier de verrouillage du socle réglable, puis insérez l'outil dans le socle réglable en alignant la crémaillère du moteur sur le pignon du socle réglable.
- Le pignon de la base Trim s'engage avec la crémaillère du moteur. Tournez le bouton de la base de garniture dans le sens des aiguilles d'une montre pour abaisser la toupie dans la base et pour régler la hauteur de la toupie.
- Fixez la buse de sortie de poussière sur le socle réglable, et serrez la vis moletée.
- Pour retirer le socle, inversez la procédure d'installation.

 **ATTENTION:** Lors de l'utilisation de l'outil avec le socle réglable, assurez-vous de poser l'embout d'aspiration de poussière sur le socle réglable.

### **Pour régler la force de pincement du levier de serrage - (Fig. 5c)**

- Ouvrez la pince du corps.

- À l'aide d'une clé Allen, tournez la vis de réglage du levier de verrouillage, par petites quantités.
- La rotation de la vis en sens horaire resserre le levier, tandis qu'en sens antihoraire, elle le desserre.

### **Pose des fraises/forets** **de défonceuse - (Fig. 6 - 6b)**

- Insérez au moins 3/4 de la longueur de la queue de la fraise (1) dans le mandrin.
- Appuyez vers sur le verrou de broche jusqu'au blocage de la broche de la défonceuse (vous devrez peut-être tourner légèrement la broche pour l'engager).
- Serrez l'écrou de mandrin à l'aide de la clé. Ne serrez pas excessivement.


### **Dépose des fraises/forets de** **défonceuse - (Fig. 6 - 6b)**

- Appuyez vers sur le verrou de broche jusqu'au blocage de la broche de la défonceuse.
- Desserrez l'écrou de mandrin à l'aide de la clé.
- Poursuivez la rotation de la clé jusqu'à ce que l'écrou de mandrin soit serré, puis se desserre à nouveau. C'est un mécanisme de sécurité pour libérer le mandrin.
- La fraise devrait maintenant coulisser.
- Chaque fois que vous avez terminé d'utiliser une fraise, déposez-la pour la ranger en lieu sûr.

 **AVERTISSEMENT:** Ne serrez pas le mandrin sans fraise dedans.

 **AVERTISSEMENT:** Utilisez toujours des fraises dont la queue correspond au diamètre du mandrin.

 **AVERTISSEMENT:** Les coupes profondes devraient toujours être effectuées en plusieurs passes de la défonceuse.

 **ATTENTION:** Assurez-vous que l'outil est arrêté et que le bloc batterie est retiré avant d'effectuer tous travaux sur l'outil.

### **Levier de verrouillage de** **plongée sur le socle plongeant** **- (Fig. 7)**

- Ne pas forcer excessivement sur le levier de verrouillage. Une force excessive peut endommager le socle.

- Abaissez le levier pour le verrouiller.
- Quand le levier de verrouillage est serré, le moteur ne devrait pas se déplacer dans le socle.
- Un réglage est nécessaire si le levier de verrouillage ne serre pas le moteur sans force excessive ou si le moteur se déplace dans le socle après serrage.

### **Centrage de la coulisse sur le socle plongeant - (Fig. 8 – 8a)**

- Si vous devez régler, changer ou remplacer un socle secondaire, il est recommandé d'utiliser un outil de centrage. L'outil de centrage est constitué d'un cône et d'une broche.

Pour régler une coulisse, procédez comme suit.

- Posez la bague guide sur la plaque de coulisse.
- Desserrez mais sans les déposer les vis de coulisse pour permettre un déplacement libre de la coulisse.
- Insérez la broche dans le mandrin et serrez l'écrou de mandrin.
- Insérez le corps du moteur dans le socle et serrez le levier de verrouillage sur le socle.
- Placez le cône sur la broche et appuyez doucement vers le bas sur le cône jusqu'en butée. Ceci permet de centrer le socle secondaire.
- En maintenant le cône enfoncé, serrez les vis du socle secondaire.
- Voir Pose de la bague guide sur le socle plongeant et sur le socle réglable (Fig. 12).

### **Centrage de la coulisse sur le socle réglable - (Fig. 9)**

- Si vous devez régler, changer ou remplacer un socle secondaire, il est recommandé d'utiliser un outil de centrage. L'outil de centrage est constitué d'un cône et d'une broche.

Pour régler une coulisse, procédez comme suit. Avec ou sans la douille de guidage montée

- Desserrez mais sans les déposer les vis de coulisse pour permettre un déplacement libre de la coulisse.
- Insérez la broche dans le mandrin et serrez l'écrou de mandrin.
- Insérez le corps du moteur dans le socle et serrez le levier de verrouillage sur le socle.
- Placez le cône sur la broche et appuyez doucement vers le bas sur le cône jusqu'en butée. Ceci permet de centrer le socle secondaire.
- En maintenant enfoncé le cône, serrez les vis du socle secondaire.
- Voir Pose de la bague guide sur le socle plongeant et sur le socle réglable (Fig. 12).

### **Pose et dépôt du guide latéral parallèle sur le socle plongeant - (Fig. 10)**

Un guide latéral parallèle est fourni avec les tiges guides montées.

- Desserrez les boutons moletés du socle plongeant.
- Glissez le guide latéral parallèle avec ses tiges dans les trous du socle plongeant.
- Serrez temporairement les boutons moletés pour bloquer le guide en position.
- Pour déposer le guide latéral parallèle, desserrez les boutons moletés et tirez le guide vers l'extérieur pour le sortir du socle plongeant.

### **Pose et dépôt du guide latéral parallèle sur le socle réglable - (Fig. 11 – 11a)**

- Assemblez le guide droit avec le boulon et du bouton de verrouillage.
- Fixez le guide droit à le socle réglable à l'aide du bouton de verrouillage du guide latéral parallèle de la base de la garniture

### **Pose de la bague guide sur le socle plongeant et sur le socle réglable - (Fig. 12)**

La bague guide permet d'effectuer des découpes répétitives avec des gabarits.

- Placez la bague guide dans le creux sur le dessous du socle, puis fixez la bague guide à l'aide des deux vis.

### **Réglage de la profondeur de coupe sur le socle plongeant - (Fig. 13 – 13c)**


- Placez la machine sur la pièce à travailler.
- Préréglez la butée de tourelle à 3 voies selon les besoins.
- Desserrez le bouton moleté pour fixer la butée de profondeur.
- Desserrez le levier de verrouillage de plongée.
- Abaissez lentement la machine jusqu'à ce que la fraise entre juste en contact avec la pièce à travailler et fixez-la à l'aide du levier de verrouillage de plongée.
- La butée de profondeur comporte un indicateur qui peut servir pour l'alignement de l'échelle.
- Remontez la butée de profondeur en observant

l'échelle pour obtenir la profondeur de coupe voulue, puis verrouillez-la en position avec le bouton moleté.  
**L'intervalle entre la butée de profondeur et la vis de butée de la tourelle définit la profondeur de coupe.**

La butée de profondeur comporte un réglage micrométrique.

- Pour un réglage fin de la profondeur, tournez le bouton de réglage micrométrique en haut de la butée de profondeur.
- Pour augmenter la profondeur, tournez la tête en sens antihoraire. Pour diminuer la profondeur, tournez la tête en sens horaire - 1 rotation = 1 mm

Les vis tournantes de butée de tourelle peuvent servir à pré-régler jusqu'à trois profondeurs de coupe. La hauteur est réglable à l'aide d'un tournevis et d'une clé de 8 mm sur plats.

 **AVERTISSEMENT:** Ne modifiez pas la butée de tourelle pendant le fonctionnement de la défonceuse. Ceci rapprocherait trop vos mains de la tête de la fraise.

 **ATTENTION:** Mettez en route la défonceuse avant de plonger la tête de fraise dans la pièce de travail.

**Réglage de la profondeur de coupe sur le socle réglable - (Fig. 14)** 

- Pour régler la profondeur de coupe, ouvrez le levier de verrouillage, puis déplacez le socle de l'outil vers le haut ou vers le bas en tournant du bouton de verrouillage.
- Après le réglage, fermez à fond le levier de verrouillage.

**REMARQUE:** Si l'outil n'est pas fixé après fermeture du levier de verrouillage, serrez l'écrou hexagonal puis fermez à nouveau le levier de verrouillage.


**Points de fixation d'accessoires - (Fig. 15)** 

La défonceuse comporte deux trous taraudés M6 dans son socle qui permettent la pose d'accessoires ainsi que la fixation sur des tables pour défonceuse.

## UTILISATION



 **AVERTISSEMENT:** Respectez toujours les instructions de sécurité et règlements applicables.

 **AVERTISSEMENT:** Pour réduire le risque de blessure grave, arrêtez l'outil et débranchez le bloc batterie avant tout réglage ou dépose/pose d'accessoires ou fixations. Un démarrage intempestif peut causer des blessures.

**Position correcte de la main - (Fig. 16 - 17)**

 **AVERTISSEMENT:** Pour réduire le risque de blessure grave, utilisez **TOUJOURS** la position correcte de la main indiquée.

 **AVERTISSEMENT:** Pour réduire le risque de blessure grave, maintenez **TOUJOURS** fermement l'outil pour prévenir une réaction brutale.

- Pour utiliser le socle plongeant, saisissez fermement les poignées latérales comme indiqué sur la Fig. 16.
- Pour utiliser le socle fixe, une main devrait se trouver sur le dessus de la batterie et l'autre autour du socle fixe, comme indiqué sur la Fig. 17.

**Boutons marche/arrêt et de verrouillage - (Fig. 18)** 

- Pour activer l'outil, appuyez sur le bouton de verrouillage/déverrouillage. L'outil passe en mode veille.
- Pour démarrer l'outil, appuyez sur le bouton on/off mode veille.
- Pour arrêter l'outil, appuyez à nouveau sur le bouton on/off. L'outil passe en mode veille.
- Pour désactiver l'outil, appuyez sur le bouton de verrouillage/déverrouillage en mode veille.

**REMARQUE:** Si l'outil est laissé pendant 10 secondes sans action en mode veille, il se désactive automatiquement et le voyant s'éteint.

**REMARQUE:** Vous pouvez aussi arrêter et désactiver l'outil en appuyant sur le bouton de verrouillage/déverrouillage pendant le fonctionnement.

 **ATTENTION:** Avant de démarrer l'outil, dégagez la zone de travail de tous les corps étrangers. Maintenez aussi une prise ferme sur l'outil pour résister au couple de démarrage.

 **ATTENTION:** Pour éviter de vous blesser et/ou d'endommager les travaux finis, laissez toujours le moteur S'ARRÊTER COMPLÈTEMENT avant de poser l'outil

## Molette de réglage de vitesse variable - (Fig. 19)

La vitesse d'avancement de la fraise dans le bois ne doit pas être trop rapide au point de faire ralentir le moteur, ni trop lente au point que la fraise laisse des marques de brûlure sur la face du bois. Faites preuve de bon sens pour évaluer la vitesse d'avancement en écoutant le bruit du moteur pendant le travail.

- La vitesse de rotation de l'outil peut être modifiée en tournant la molette de réglage de vitesse. Le tableau ci-dessous indique la vitesse de rotation correspondant à chaque repère sur la molette.



**REMARQUE:** Si l'outil est utilisé en continu à bas régime pendant longtemps, le moteur peut subir une surcharge conduisant à un mauvais fonctionnement de l'outil.

**REMARQUE:** Pour passer la molette de réglage de "6" à "1", tournez-la dans le sens des aiguilles d'une montre. Ne forcez pas sur la molette en sens horaire.

**REMARQUE:** Pour un travail de meilleure qualité, faites plusieurs passes légères plutôt qu'une seule importante.

## Speed Selection Chart

No.	Régime
1	10,000 Min-1
2	14,000 Min-1
3	18,000 Min-1
4	22,000 Min-1
5	26,000 Min-1
6	30,000 Min-1

	1-24	30,000 (6)	
	24-30	22,000 (4)	
	30-38	18,000 (3)	

En général, utilisez les réglages inférieurs pour les fraises à grand diamètre et les réglages les plus élevés pour les fraises à petit diamètre. Le bon réglage dépend également de la densité du matériau, de la profondeur de coupe et de la vitesse d'avance de la défonceuse, car une perte importante de tours/minute indique une surcharge du moteur. Dans la plupart des cas, la vitesse la plus faible requise pour les grandes fraises (>=35mm) ayant des dimensions de tige plus petites est de 12,500 tr/mn.

## Fonction électronique

L'outil est équipé de fonctions électroniques pour faciliter son utilisation.

- Commande de régime constant – la fonction de commande de régime assure une vitesse de rotation constante quelles que soient les conditions de charge.
- Fonction de démarrage progressif – la fonction de démarrage progressif réduit le choc au démarrage et permet un démarrage en douceur de l'outil.

## Sens d'avancement - (Fig. 20)

**AVERTISSEMENT:** Le sens de défonçage doit toujours être opposé au sens de rotation de la fraise, sinon il y a risque de retour.

Pour le défonçage le long d'un chant, le sens d'avancement de la défonceuse doit être opposé au sens de rotation de la fraise. Ceci donne une action de défonçage correcte et évite les "accrochages" de la fraise. Cela rapproche aussi la défonceuse de la pièce de travail et limite donc les oscillations du guide latéral ou du roulement guide par rapport au bord de la pièce.

## Pose ou dépose de l'embout d'aspiration de poussière sur le socle plongeant - (Fig. 21)

- En maintenant l'outil, fixez l'embout d'extraction des poussières sur le socle plongeant.
- Serrez les du bouton de verrouillage.
- Raccordez à un extracteur de poussière approprié par son flexible et un adaptateur pour outil électrique.
- Pour déposer l'embout d'aspiration de poussière du socle plongeant, desserrez les Serrez les du bouton de verrouillage et déposez l'embout.

## Pose ou dépose de l'embout d'aspiration de poussière sur le socle réglable - (Fig. 22)

- En maintenant l'outil, posez l'embout d'extraction des poussières sur le socle réglable, en vous assurant d'engager l'ergot dans le trou.
- Utilisez le bouton d'embout d'aspiration de poussière du socle réglable pour le fixer en serrant le bouton en sens horaire.
- Raccordez à un extracteur de poussière approprié par son flexible et un adaptateur pour outil électrique.
- Pour déposer l'embout d'aspiration de poussière du socle réglable, dévissez en sens antihoraire le bouton de l'embout du socle réglable et déposez l'embout.



## Éclairage de travail



**ATTENTION: Ne regardez pas directement l'ampoule ou la source de lumière.**

- Pour activer la lampe, appuyez sur le bouton de verrouillage/déverrouillage. Pour l'éteindre, appuyez à nouveau sur le bouton de verrouillage/déverrouillage.

**AVIS: La lampe clignote en cas de surchauffe de l'outil. Laissez refroidir complètement l'outil avant de l'utiliser à nouveau.**

**REMARQUE:** Essuyez la saleté sur la lentille de la lampe à l'aide d'un chiffon sec. Prenez garde à ne pas rayer la lentille de la lampe, ce qui pourrait réduire l'éclairage.

## Découpe avec le socle plongant

**équipé d'une fraise autoguidée - (Fig. 23)**

- Appuyez sur le levier de verrouillage de plongée et faites plonger la défonceuse jusqu'à la profondeur réglée par la fraise.
- Le guide à roulement à billes sur l'outil sert de guide contre le bord du matériau.
- Effectuez la découpe.
- À la fin de la découpe, libérez le levier de verrouillage de plongée.
- Arrêtez la défonceuse.

## Découpe avec le socle réglable

- Posez le socle de l'outil sur la pièce à travailler, sans aucun contact de la fraise de coupe. Démarrez l'outil et attendez que le foret arrive à pleine vitesse. Déplacez l'outil vers l'avant sur la surface de la pièce de travail. Maintenez le socle de l'outil affleurant quand vous déplacez l'outil.
- Pour découper un chant, assurez-vous de conserver la surface de travail du côté gauche de la fraise dans le sens d'avancement.

**REMARQUE:** Avant de découper la pièce de travail elle-même, il est recommandé d'effectuer une coupe d'essai. La bonne vitesse d'avancement dépend de la dimension de la fraise, du type de pièce de travail et de la profondeur de coupe. Un avancement trop rapide de l'outil peut donner une mauvaise qualité de coupe, ou endommager la fraise ou le moteur. Une vitesse d'avancement trop faible peut brûler et marquer la surface de coupe.

**AVIS: Du fait qu'une profondeur de coupe excessive peut causer une surcharge du moteur ou des difficultés à contrôler l'outil, la profondeur**

**de coupe ne doit pas dépasser 3 mm par passe pour la découpe de rainures.** Si vous souhaitez découper des rainures de plus de 3 mm de profondeur, effectuez plusieurs passes avec des réglages de profondeur de plus en plus grands.

**REMARQUE:** Faites toujours avancer la défonceuse dans le sens inverse de la rotation de la fraise.

## Utilisation du guide latéral parallèle avec le socle plongant - (Fig. 24)

- Avec le guide latéral installé sur le socle plongant.
- Desserrez les boutons des tiges du guide sur le socle pour régler la distance entre la fraise et le guide latéral parallèle. Quand la distance voulue est atteinte, serrez les boutons des tiges du guide.
- Déplacez l'outil avec le guide latéral parallèle à ras du bord de la pièce de travail.

**REMARQUE:** Faites toujours avancer la défonceuse dans le sens inverse de la rotation de la fraise.

## Utilisation du guide latéral parallèle avec le socle réglable - (Fig. 25)

- Avec le guide latéral installé sur le socle réglable.
- Desserrez du bouton de verrouillage sur le guide droit et réglez la distance entre la fraise et le guide latéral droit. Quand la distance voulue est atteinte, serrez du bouton de verrouillage.
- Déplacez l'outil avec le guide latéral parallèle à ras du bord de la pièce de travail.

**REMARQUE:** Faites toujours avancer la défonceuse dans le sens inverse de la rotation de la fraise.

## Utilisation de la bague guide dans le socle plongant - (Fig. 26 - 26b)

- Choisissez une fraise d'un diamètre passant par le centre de la bague guide avec un jeu suffisant.
- Réglez la profondeur de plongée de la fraise.
- Positionnez la bague guide contre le gabarit, mettez la machine en route et effectuez une coupe plongeante à la profondeur correcte.
- Faites avancer dans le sens indiqué.
- À la fin de la coupe, libérez la plongée et arrêtez la machine.

**REMARQUE:** Faites toujours avancer la défonceuse dans le sens inverse de la rotation de la fraise.



**ATTENTION:** Mettez en route la défonceuse avant de plonger la tête de fraise dans la pièce de travail.

### Utilisation de la bague guide dans le socle réglable - (Fig. 27)

- Choisissez une fraise de diamètre passant par le centre de la bague guide avec un jeu suffisant.
- Réglez la profondeur de la fraise.
- Positionnez la bague guide contre le gabarit, mettez en route
- Faites avancer dans le sens indiqué.
- À la fin de la coupe, arrêtez la machine.

**REMARQUE:** Faites toujours avancer la défonceuse dans le sens inverse de la rotation de la fraise.



### ENTRETIEN

N'utilisez que des pièces de rechange et accessoires d'origine Trend.

L'outil électrique a été conçu pour fonctionner longtemps avec un minimum d'entretien. Le bon fonctionnement de l'outil dépend des soins et d'un nettoyage régulier de l'appareil.



**AVERTISSEMENT:** Pour réduire le risque de blessure grave, arrêtez l'outil et débranchez le bloc batterie avant tout réglage ou dépose/pose d'accessoires ou fixations. Un démarrage intempestif peut causer des blessures.

Le chargeur et le bloc batterie ne sont pas réparables.

Évitez l'utilisation de solvant pour le nettoyage des pièces en plastique. La plupart des plastiques peuvent être endommagés par différents types de solvants du commerce, et leur utilisation peut les dégrader. Utilisez des chiffons propres pour éliminer la saleté, la poussière, l'huile, la graisse, etc.



**AVERTISSEMENT:** Ne laissez en aucun cas du liquide de frein, de l'essence, des produits pétroliers, des huiles dégriffantes, etc. entrer en contact avec les pièces en plastique. Les produits chimiques peuvent endommager, affaiblir ou détruire le plastique, ce qui peut conduire à des blessures graves.

Les outils électriques utilisés sur des matériaux en fibre de verre, des panneaux muraux, des enduits de rebouchage ou du plâtre sont soumis à une usure accélérée et à une possible défaillance prématurée parce que les copeaux et débris de fibre de verre produits sont extrêmement abrasifs pour les roulements, brosses, collecteurs, etc. En conséquence, nous

ne recommandons pas d'utiliser cet outil pour des travaux prolongés sur ces types de matériaux. Néanmoins, si vous travaillez sur l'un de ces matériaux, il est extrêmement important de nettoyer l'outil à l'air comprimé.

### Lubrification

- Votre outil électrique n'exige aucune lubrification supplémentaire.

### Nettoyage



**AVERTISSEMENT:** Soufflez la saleté et la poussière à l'air sec pour les déloger du boîtier principal dès que l'accumulation de saleté est visible dans et autour des fentes de ventilation. Portez une protection oculaire et un masque antipoussière homologués pour accomplir cette procédure.



**AVERTISSEMENT:** N'utilisez jamais de solvant ni autre produit chimique agressif pour le nettoyage des pièces non métalliques de l'outil. Ces produits chimiques peuvent affaiblir les matériaux utilisés dans ces pièces. N'utilisez qu'un chiffon humidifié à l'eau savonneuse. Ne laissez jamais aucun liquide pénétrer à l'intérieur de l'outil ; n'immergez jamais une quelconque partie de l'outil dans un liquide.

### Stockage

- Remettez l'outil dans son carton de rangement après usage.



### PROTECTION DE L'ENVIRONNEMENT



Recyclez les matières premières plutôt que d'éliminer l'appareil comme déchet.

Les accessoires et l'emballage doivent être triés pour un recyclage respectueux de l'environnement.

Tri séparé. Ce produit ne doit pas être éliminé avec les ordures ménagères.

## Batteries et environnement



Li-Ion

Cet appareil utilise des batteries lithium-ion (Li-Ion). Quand le bloc batterie doit être remplacé, nous recommandons de procéder comme suit : Évacuer l'énergie des batteries en les vidant complètement avant de les retirer de l'outil.

Les éléments lithium-ion sont recyclables, ne les jetez donc pas dans les ordures ménagères. Ils pourraient arriver dans un incinérateur ou être enfouis, ce qui doit être évité.

Amenez plutôt les batteries à un agent de service après-vente Trend, à votre revendeur local Trend ou à une déchetterie locale. Si nécessaire, contactez votre municipalité locale pour plus d'informations sur l'élimination. Les batteries recueillies devront être éliminées correctement et/ou recyclées.

## Utilisateur particulier

Les règlements locaux peuvent proposer une collecte séparée des produits électriques domestiques, en déchetteries ou chez le revendeur lors de l'achat d'un produit neuf. Appelez le service clientèle Trend pour obtenir des conseils sur la manière d'éliminer les produits électriques Trend qui ne servent plus dans le respect de l'environnement, ou visitez [www.trend-uk.com](http://www.trend-uk.com)

## Utilisateurs professionnels

Appelez le service clientèle Trend pour l'élimination des produits électriques Trend qui ne servent plus.

## GARANTIE

L'appareil est garanti par le constructeur conformément aux conditions de la carte de garantie jointe.

Pour connaître l'adresse de votre agent de service après-vente Trend le plus proche, appelez le service clientèle Trend ou consultez notre outil de recherche de revendeur à l'adresse [www.trend-uk.com](http://www.trend-uk.com)

## NL - T18S/R14

Bedankt voor de aankoop van dit Trend product. Wij hopen dat u het vele jaren creatief en productief gaat gebruiken.

Gelieve de garantietaal binnen 28 dagen na aankoop in te sturen.

### TECHNISCHE GEGEVENS

Spanning	VDC	18
Type accu		Li-Ion
Invalsag	mm	60
Spantang (VK en Ierland)	mm	6,35 (1/4-inch)
Spantang (Europa)	mm	8
Snelheid, onbelast	min-1	10.000 - 30.000
de invalvoet Max. freesdoorsnede	mm	38.1
de vaste voet Max. freesdoorsnede	mm	37.2
de invalvoet Gewicht	kg	2.25
de vaste voet Gewicht	kg	1.36
Accu*		
Accucapaciteit	Ah	2
	Ah	4
	Ah	5
Acculader*		
Netspanning	V	220 - 240
Netfrequentie	Hz	50/60
Uitgangsspanning	V	21
Uitgangsstrom	A	6
Laadtijd T18S/BA2A**	min.	32
Laadtijd T18S/BA4AM**	min.	48
Laadtijd T18S/BA5A**	min.	54
* Alleen voor modellen met een accu en lader** De laadtijd geldt alleen voor een accu met een capaciteit genoemd in de tabel		
Geluid- en trillingswaarden (triaxiale vectorsom) in overeenstemming met EN62841-1:2015		
Noise values and vibration values (triax vector sum) according to EN 62841-2-17		

Geluidsdruk niveau $L_{pA}$ (onzekerheid van de geluidsdruk) $K_{pA}$	dB(A)	92.7 3
Geluidsvermogensniveau $L_{WA}$ (onzekerheid van de geluidsdruk) $K_{WA}$	dB(A)	103.7 3
Trillingsemissiewaarde $a_h =$ Onzekerheid $K =$	m/s <sup>2</sup>	2.549 1.5

De niveaus van de trillings- en/of geluidsemisiewaarde in dit informatieblad zijn gemeten in overeenstemming met een gestandaardiseerde meting beschreven in EN 62841, en kunnen worden gebruikt om gereedschappen onderling te vergelijken. Ze kunnen gebruikt worden voor een aanvankelijke beoordeling van de blootstelling.



**WAARSCHUWING:** De opgegeven trillingswaarde betreft de hoofdtoepassing van het gereedschap. Als het gereedschap echter wordt gebruikt voor andere toepassingen, met andere accessoires of als het slecht onderhouden is, kan de trillingswaarde echter verschillend zijn.

Hierdoor kan het blootstellingsniveau over de gehele werkperiode aanzienlijk hoger worden. Bij het schatten van het blootstellingsniveau aan trilling moet ook rekening gehouden worden met de tijd dat het gereedschap is uitgeschakeld, of dat het is ingeschakeld maar niet daadwerkelijk wordt gebruikt. Hierdoor kan het blootstellingsniveau over de gehele werkperiode aanzienlijk lager worden. Stel vast welke aanvullende veiligheidsmaatregelen de gebruiker kunnen beschermen tegen de effecten van trilling, zoals: onderhoud van het gereedschap en de accessoires, de handen warm houden, indeling van het werkpatroon.

### EC CONFORMITEITSVERKLARING MACHINERICHTLIJN



### ACCU FREES T18S/R14

Trend verklaart dat het product zoals beschreven onder Technische Gegevens, in overeenstemming is met: 2006/42/EC, en ontworpen is in overeenstemming met EN 62841-1:2015, EN 62841-2-17:2017.

Deze producten voldoen ook aan Richtlijnen 2014/30/EU en 2011/65/EU. Voor nadere informatie kunt u contact opnemen met Trend op het onderstaande adres, of zie

achter in deze handleiding. De ondergetekende maakt deze verklaring uit naam van Trend Tool Technology Ltd.



Neil McMillan  
Technical Director

Trend Tool Technology Ltd  
Odhams Trading Estate,  
Watford, WD24 7TR,  
England

01/08/2021

**Technical File Contact**  
Trend Tool Technology Ltd  
3rd Floor, Kilmore House,  
Park Lane, Spencer Dock,  
Dublin 1, Ireland



**WAARSCHUWING:** Lees de handleiding om het risico op letsel te verminderen.

#### Definities: Veiligheidsrichtlijnen

De onderstaande definities geven de ernst aan van elk signaalwoord. Lees de handleiding en let op deze symbolen.



**GEVAAR:** Wijst op een direct gevaarlijke situatie die, als deze niet wordt voorkomen, **zal** leiden tot **de dood of ernstig letsel**.



**WAARSCHUWING:** Wijst op een mogelijk gevaarlijke situatie die, als deze niet wordt voorkomen, **kan** leiden tot **de dood of ernstig letsel**.



**OPGELET:** Wijst op een mogelijk gevaarlijke situatie die, als deze niet wordt voorkomen, **kan** leiden tot **licht of beperkt letsel**.



**OPMERKING:** Geeft een werkwijze aan, **niet in verband met letsel** die, als deze niet wordt voorkomen, **kan** leiden tot **zaakbeschadiging**.



Geeft risico op elektrische schokken aan.



Geeft risico op brand aan.



## ALGEMENE VEILIGHEIDSWAARSCHUWINGEN VOOR ELEKTRISCH GEREEDSCHAP



**WAARSCHUWING:** Lees alle veiligheidswaarschuwingen, gebruiksaanwijzingen, illustraties en specificaties die met deze machine zijn meegeleverd. Het niet

opvolgen van onderstaande aanwijzingen kan leiden tot elektrische schokken, brand en/of ernstig letsel.

## BEWAAR ALLE WAARSCHUWINGEN EN INSTRUCTIES VOOR TOEKOMSTIG GEBRUIK.

In de waarschuwingen verwijst de term “elektrisch gereedschap” zowel naar netgevoed (met een netsnoer) als accugevoed (draadloos) gereedschap.

### 1) Veiligheid in de werkomgeving

**a) Hou de werkomgeving schoon en zorg voor goede verlichting.** Rommel en slecht licht leiden al snel tot ongevallen.

**b) Gebruik elektrisch gereedschap niet in een explosieve atmosfeer, b.v. door de aanwezigheid van brandbare vloeistoffen, gassen of stof.**

Elektrisch gereedschap leidt tot vonken die stof of dampen kunnen ontsteken.

**c) Hou kinderen en bezoekers uit de buurt tijdens het werken met elektrisch gereedschap.** Door afleidingen kunt u de controle over het werk verliezen.

### 2) Elektrische veiligheid

**a) De stekker van het elektrisch gereedschap moet overeenkomen met het stopcontact. Pas de stekker nooit aan. Gebruik nooit stekkeradapters met geaard elektrisch gereedschap.**

Ongemodificeerde stekkers en de juiste stopcontacten verminderen het risico op elektrische schokken.

**b) Zorg dat uw lichaam niet in aanraking komt met geaarde oppervlakken zoals buizen, radiators, fornuizen en koelkasten.** Er is een groter risico op elektrische schokken als uw lichaam geaard is.

**c) Stel elektrisch gereedschap niet bloot aan de regen of vochtige omstandigheden.** Water dat het elektrisch gereedschap binnendringt, verhoogt het risico op elektrische schokken.

**d) Behandel het netsnoer zorgvuldig. Gebruik het netsnoer nooit om het elektrische gereedschap te dragen, er aan te trekken, of de stekker uit het stopcontact te trekken. Hou het netsnoer weg van hitte, olie, scherpe randen en bewegende delen.** Beschadigde of verstrikte netsnoeren verhogen het risico op elektrische schokken.

**e) Indien elektrisch gereedschap buiten wordt gebruikt, moet het verlengsnoer geschikt zijn voor buitengebruik.** Het gebruik van een snoer geschikt voor buitengebruik vermindert het risico op elektrische schokken.

**f) Als het gebruik van elektrisch gereedschap op een vochtige plek onvermijdelijk is, zorg dan dat de stroomtoevoer voorzien is van een aardlekschakelaar (ALS). De toepassing van een aardlekschakelaar vermindert het risico op elektrische schokken.**

### 3) Persoonlijke veiligheid

**a) Let altijd goed op, kijk waar u mee bezig bent en denk goed na bij het gebruik van elektrisch gereedschap. Gebruik elektrisch gereedschap niet als u moe bent, of onder de invloed van alcohol, drugs of medicijnen.** Een moment van onoplettendheid tijdens het gebruik van elektrisch gereedschap kan leiden tot ernstig letsel.

**b) Gebruik persoonlijke beschermingsmiddelen (PBM).** Draag altijd oogbescherming. Persoonlijke beschermingsmiddelen zoals een stofmasker, antislipveiligheidsschoenen, veiligheidshelm en gehoorbescherming voor de betreffende omstandigheden verlagen het risico op letsel.

**c) Voorkom onbedoelde inschakeling. Verzekert dat de schakelaar op Uit staat voordat u het gereedschap op de stroomtoevoer en/of accu aansluit, het oppakt, of het draagt.** Het dragen van elektrisch gereedschap met uw vinger op de schakelaar, of het aansluiten van de stroomtoevoer op gereedschap waarvan de schakelaar op Aan staat, is vragen om ongelukken.

**d) Verwijder eventuele (instel)sleutels voordat u het elektrische gereedschap inschakelt.** Een sleutel die op een draaiend deel van het elektrische gereedschap zit, kan leiden tot letsel.

**e) Reik niet te ver. Zorg dat u altijd stabiel staat en uw evenwicht niet kunt verliezen.** Dit verzekert een betere beheersing van het elektrische gereedschap in onverwachte situaties.

**f) Draag geschikte kleding. Draag geen loshangende kleding of sieraden. Hou uw haar en kleding weg van bewegende delen.** Loshangende kleding, sieraden en lang haar kunnen worden aangegrepen door bewegende delen.

**g) Als er voorzieningen zijn voor de aansluiting van stofafzuiging- en opvang, zorg dan dat deze daadwerkelijk zijn aangesloten en juist gebruikt worden.** Het gebruik hiervan kan gevaar i.v.m. stof verminderen.

**h) Zorg dat gewoonte door regelmatig gebruik van gereedschappen niet leidt tot onachtzaamheid en het niet opvolgen van de veiligheidsmaatregelen.** Een onzorgvuldige handeling kan in een fractie van een seconde leiden tot ernstig letsel.

### 4) Gebruik van en zorg voor elektrisch gereedschap

**a) Overbelast elektrisch gereedschap nooit.** Gebruik het juiste elektrische gereedschap voor de toepassing. Het juiste elektrisch gereedschap doet het werk beter en veiliger op de snelheid waarvoor het ontworpen is.

**b) Gebruik het elektrische gereedschap niet als**

**de aan-uitschakelaar niet goed werkt.** Als de schakelaar van het gereedschap niet goed werkt, is dit gevaarlijk en moet deze gerepareerd worden.

**c) Neem de stekker uit het stopcontact en/of neem de accu (indien verwijderbaar) van het elektrische gereedschap voordat u het opbergt, instellingen wijzigt of accessoires verwisselt.** Dergelijke veiligheidsmaatregelen verminderen het risico van onbedoelde inschakeling van het gereedschap.

**d) Berg elektrisch gereedschap dat niet wordt gebruikt op buiten bereik van kinderen, en laat mensen die onbekend zijn met het gereedschap of deze instructies het elektrische gereedschap niet gebruiken.** Elektrisch gereedschap is gevaarlijk voor gebruikers die er niet mee bekend zijn.

**e) Onderhoud elektrisch gereedschap en accessoires zorgvuldig. Controleer dat bewegende delen goed zijn uitgelijnd en niet vastlopen, dat er geen beschadigde onderdelen zijn, of andere situaties die de werking van het gereedschap kunnen beïnvloeden. Bij beschadiging moet het elektrische gereedschap gerepareerd worden voordat het weer wordt gebruikt.** Slecht onderhoud van elektrisch gereedschap leidt tot veel ongevallen.

**f) Hou frezen, zagen, enz. scherp en schoon.** Goed onderhouden frezen met scherpe snijkanten zullen minder snel vastlopen, en zijn beter te beheersen.

**g) Gebruik het elektrische gereedschap, accessoires en toolbits, enz. in overeenstemming met deze instructies, rekening houdend met de werkomstandigheden en de uit te voeren werkzaamheden.** Het gebruik van elektrisch gereedschap voor andere dan de bedoelde werkzaamheden kan leiden tot gevaarlijke omstandigheden.

**h) Zorg dat handgrepen en grijpvlakken droog en schoon zijn, zonder olie of vet.** Bij gladde handgrepen en grijpvlakken is veilig gebruik en beheersing van het gereedschap in onverwachte situaties onmogelijk.

### 5) Gebruik van en zorg voor accu's

**a) Laad accu's alleen op met de lader aangegeven door de fabrikant.** Een lader die geschikt is voor een bepaald type accu kan leiden tot brandgevaar bij gebruik met een ander type accu.

**b) Gebruik elektrisch gereedschap alleen met de daarvoor bedoelde accu's.** Het gebruik van andere accu's kan leiden tot risico op letsel of brand.

**c) Als een accu niet in gebruik is, hou deze dan uit de buurt van metalen voorwerpen, zoals paperclips, munten, sleutels, spijkers, schroeven en andere kleine metalen voorwerpen die de accupolen met elkaar zouden kunnen verbinden.** Het kortsluiten van de accupolen kan leiden tot brandwonden of brand.

**d) Als een accu wordt misbruikt, kan er vloeistof uitstromen - voorkom contact met deze vloeistof.**

**Als u er onbedoeld mee in aanraking komt, spoel deze dan weg met water. Als de vloeistof in de ogen komt, zoek dan ook medische hulp.**

Vloeistof die uit een accu komt, kan leiden tot irritatie of verbranding.

**e) Gebruik geen accu of gereedschap dat is beschadigd of gewijzigd.** Beschadigde of gewijzigde accu's kunnen onvoorspelbaar reageren, en dit kan leiden tot brand, explosie of gevaar op letsel.

**f) Stel een accu of gereedschap nooit bloot aan vuur of een te hoge temperatuur.** Blootstelling aan brand of een temperatuur boven 130 °C kan leiden tot een explosie.

**g) Volg alle aanwijzingen m.b.t. het laden, en laad de accu of het gereedschap niet buiten het temperatuurbereik genoemd in de aanwijzingen.** Onjuist laden, of laden bij een temperatuur buiten het opgegeven bereik kan de accu beschadigen en het risico op brand vergroten.

## 6) Onderhoud

**a) Laat het onderhoud aan het elektrische gereedschap uitvoeren door een gekwalificeerde reparateur, en alleen met identieke vervangingsonderdelen.** Dat verzekert dat de veiligheid van het elektrische gereedschap bewaard blijft.

**b) Probeer nooit beschadigde accu's te repareren.** Reparatie van accu's mag alleen worden uitgevoerd door de fabrikant of geautoriseerde dienstverlener.

## Aanvullende specifieke veiligheidsregels voor kleine frezen

- **Gebruik klemmen of andere middelen om het werkstuk vast te zetten en te ondersteunen op een stabiele ondergrond.** Als u het werkstuk in de hand houdt of tegen uw lichaam drukt, is het niet stabiel, en dan kunt u de controle verliezen.
- **NIET gebruiken voor metaalbewerking.**
- **Zorg dat handgrepen en grijpvlakken droog en schoon zijn, zonder olie of vet.** Zo heeft u een betere controle over het gereedschap.
- **Hou het gereedschap goed vast, met beide handen, om het opstartmoment te kunnen weerstaan.** Hou het gereedschap altijd goed vast tijdens het werken.
- **Gebruik altijd de door de fabrikant van het freesje aanbevolen snelheid, sommige freesjes moeten op een bepaalde snelheid gebruikt worden voor de veiligheid of goede prestaties.** Als u niet zeker bent over de juiste snelheid of als u andere problemen heeft, neem dan contact op met de fabrikant van het freesje.
- **Hou handen uit de buurt van het freesgereedschap. Reik nooit onder het werkstuk.** Zorg dat de voet van de frees tijdens het werk volledig op het werkstuk rust.
- **Laat de motor nooit draaien als deze niet in een van de twee voeten is gemonteerd.** De motor is niet ontworpen voor gebruik in de hand.
- **Gebruik een constante freesdruk.** Overbelast de motor niet.
- **Gebruik altijd scherpe freesjes.** Bij een bot freesje kan de frees wegllopen of onder druk vastlopen.
- **Verzekert dat de motor geheel tot stilstand is gekomen voordat u de frees neerlegt.** Als het freesje nog draait als de machine wordt neergelegd, kan dat leiden tot schade en letsel.
- **Zorg, voordat u de motor start, dat het freesje niet in aanraking is met het werkstuk.** Als het freesje het werkstuk aanraakt als de machine wordt neergelegd, kan dat leiden tot schade en letsel.
- **Verwijder ALTIJD de accu voordat u instellingen doet of het freesje vervangt.**
- **Hou uw handen uit de buurt van het freesje als de motor draait om persoonlijk letsel te voorkomen.**
- **Raak het freesje nooit direct na gebruik aan. Het kan bijzonder heet zijn.**
- **Als het freesje door de dikte van het werkstuk gaat, zorg dan voor vrije ruimte onder het werkstuk.**
- **Draai de moer van de spantang goed aan zodat het freesje niet slipt.**
- **Draai de moer van de spantang nooit aan als er geen freesje in zit.**
- **Gebruik nooit freesjes met een doorsnede van meer dan 35 mm in deze machine.**
- **Beweeg de frees niet in de draairichting van het freesje (dus in de richting tegengesteld aan die in Figuur 20a). Hierbij is de kans groter dat u de controle over de machine verliest, wat kan leiden tot letsel.**
- Gebruik altijd rechte freesjes, profielfreesjes, enz. met een asdoorsnede die overeenkomt met de spantang in de machine.
- Gebruik altijd freesjes geschikt voor een snelheid van 30000 min.-1 of hoger, waarop die snelheid is aangegeven.
- **Werk niet uit de hand met de frees ondersteboven of horizontaal.** Als de motor niet goed op de voet is bevestigd, volgens de instructies, dan kan de motor van de voet los komen.
- Controleer voor het starten van de motor dat het werkgebied vrij is van ongewenste voorwerpen.
- **Als er een afscherming meegeleverd is, zorg dan dat deze altijd gemonteerd en schoon is.**
- **Druk de spindelblokkering niet in als de motor**

**draait. Dat zou kunnen leiden tot schade aan de spindelblokkering.**

- **Zorg altijd dat er geen spijkers en andere ongewenste voorwerpen in het werkvlak zitten.** Als een spijker geraakt wordt, kunnen het freesje en de machine springen.

## RESTRISICO'S


Ondanks het opvolgen van de relevante veiligheidsregels en toepassing van veiligheidsvoorzieningen, kunnen zekere restrisico's niet worden vermeden. Dit zijn:

- Gehoorschade.
- Risico op letsel door rondvliegende deeltjes.
- Risico op brandwonden door accessoires die heet worden tijdens gebruik.
- Risico op letsel door langdurig gebruik.

## BEWAAR DEZE GEBRUIKSAANWIJZING

### Elektrische veiligheid

De elektrische motor is ontworpen voor één bepaalde spanning. Controleer altijd dat de spanning op de accu overeenkomt met de spanning op het typeplaatje. Controleer ook dat de spanning van de lader overeenkomt met de netspanning.

 Uw Trend lader is dubbelgeïsoleerd in overeenstemming met EN60335 en heeft dan ook geen aarddraad.

Als het netsnoer beschadigd wordt, moet het worden vervangen door een speciaal uitgevoerd netsnoer, leverbaar via de Trend service organisatie.

### Vervanging van de netstekker (alleen voor VK en Ierland)

Als er een nieuwe netstekker gemonteerd moet worden:

- Gooi de oude netstekker veilig weg.
- Sluit de bruine ader aan op de fase-pen van de stekker.
- Sluit de blauwe ader aan op de nul-pen van de stekker.

 **WAARSCHUWING:** Er wordt niets aangesloten op de aard-pen.

Volg de instructies op die worden meegeleverd met stekkers van goede kwaliteit. Aanbevolen zekering: 3 A.

## Gebruik van een verlengsnoer

Een verlengsnoer mag alleen gebruikt worden als dat beslist nodig is. Gebruik een goedgekeurd verlengsnoer dat geschikt is voor de aansluiting van uw lader (zie **Technische gegevens**). De minimale aderdoorsnede is

1 mm<sup>2</sup>; De maximale lengte is 30m. Bij gebruik van een kabelhaspel moet deze altijd geheel worden afgewikkeld.

**Belangrijke**  **veiligheidsaanwijzingen voor alle acculaders**

## BEWAAR DEZE GEBRUIKSAANWIJZING:

Deze handleiding bevat belangrijke informatie over de veiligheid en het gebruik van geschikte acculaders (zie Technische gegevens).

- Voordat u de lader gebruikt, moet u alle aanwijzingen en waarschuwingen lezen, op de lader, accu en het product dat de accu gebruikt.



**WAARSCHUWING:** Gevaar op elektrische schok. Voorkom dat er vloeistof in de lader komt. Dat kan leiden tot elektrische schokken.



**WAARSCHUWING:** Wij raden het gebruik aan van een aardlekschakelaar, met een uitschakelstroom van 30 mA of minder.



**OPGELET:** Gevaar op brandwonden. Om het risico op letsel te verminderen, mogen alleen Trend accu's worden opgeladen. Andere soorten accu's kunnen barsten en dit kan leiden tot letsel en schade.



**OPGELET:** Kinderen moeten onder toezicht zijn, zodat zij niet met het apparaat spelen.

**OPMERKING:** Onder bepaalde omstandigheden, als de lader is aangesloten op de stroomtoevoer, kunnen de blootliggende laadcontacten in de lader door extern materiaal worden kortgesloten. Materiaal dat elektrisch geleidend is, zoals b.v. staalwol, aluminium folie en opgebouwde metalen deeltjes, moet weg worden gehouden van de openingen in de lader. Neem de stekker van de lader altijd uit het stopcontact als er geen accu in zit. Neem de stekker van de lader altijd uit het stopcontact voordat u de lader schoonmaakt.

- **Jonge kinderen en mensen met beperkingen.** Dit apparaat is niet bedoeld voor gebruik zonder toezicht door jonge kinderen of personen met beperkingen.
- Dit product is niet bedoeld voor gebruik door personen (waaronder kinderen) met beperkte fysieke, sensorische of mentale capaciteit, of gebrek aan ervaring en/of gebrek aan kennis of vaardigheden, tenzij onder toezicht van een persoon die verantwoordelijk is voor hun veiligheid. Laat kinderen nooit alleen met dit product.



- **Probeer NOOIT de accu te laden met een lader anders dan beschreven in deze handleiding.** De lader en accu zijn speciaal ontworpen om samen gebruikt te worden.
- **Deze laders zijn niet bedoeld voor gebruik anders dan het opladen van Trend accu's.** Andere toepassingen kunnen leiden tot risico op brand, elektrische schokken of elektrocutie.
- **Stel de lader niet bloot aan regen of sneeuw.**
- **Bij het loskoppelen moet u aan de stekker trekken, niet aan het snoer.** Dat vermindert het risico op beschadiging van het netsnoer en de stekker.
- **Verzekert dat het netsnoer zo ligt dat er niet op gestapt wordt, men er niet over kan struikelen, of dat het anderszins wordt beschadigd of belast.**
- **Gebruik geen verlengsnoer tenzij dat absoluut noodzakelijk is.** Gebruik van een onjuist verlengsnoer kan leiden tot risico op brand, elektrische schok of elektrocutie.
- **Plaats geen voorwerp op de lader en plaats de lader niet op een zacht oppervlak dat de ventilatie-openingen kan afsluiten en kan leiden tot interne oververhitting.** Plaats de lader niet in de buurt van warmtebronnen. De lader wordt geventileerd door sleuven in de bovenkant en onderkant van de behuizing.
- **Gebruik de lader niet als het netsnoer of de stekker beschadigd zijn:** laat die onmiddellijk vervangen.
- **Gebruik de lader niet indien deze is blootgesteld aan een stoot, gevallen is, of anderszins beschadigd is.** Neem de lader dan naar een geautoriseerd servicecentrum.
- **Demonteer de lader nooit, neem deze naar een geautoriseerd servicecentrum indien onderhoud of reparatie nodig is.** Onjuiste hermontage kan leiden tot risico op elektrische schokken, elektrocutie of brand.
- Als het netsnoer beschadigd is, moet dit direct worden vervangen door de fabrikant, een servicevertegenwoordiger of een vergelijkbaar gekwalificeerde persoon, om gevaar te voorkomen.
- **Neem de stekker uit het stopcontact voordat u de lader schoonmaakt. Dat vermindert het risico op elektrische schokken.** Het uitnemen van de accu vermindert dit risico niet.
- **NOOIT 2 laders met elkaar verbinden.**
- **Deze lader is ontworpen voor gebruik op een normale netspanning van 230V. Probeer deze niet op een andere spanning te gebruiken.** Dit is niet van toepassing op de lader voor gebruik in een voertuig.
- **Zorg dat de lader stabiel en veilig is opgesteld.** Een vallende accu of lader kan een risico op letsel bij uzelf of anderen inhouden.

## **BEWAAR DEZE GEBRUIKSAANWIJZING**

### **Laders**

Trend laders vereisen geen instellingen en zijn ontworpen om zo gemakkelijk mogelijk in gebruik te zijn.

De T18S/CH6A lader is geschikt voor 18V Li-Ion Trend accu's (T18S/BA2A, T18S/BA4AM en T18S/BA5A).



**WAARSCHUWING:** Alleen opladen met geschikte 18V laders. Het gebruik van andere laders kan leiden tot brand, schade of ernstig letsel.

### **Opladen en gebruik van accu's**

- (Fig. 4 – 4d)

- Om mogelijke problemen te voorkomen, wordt de accu voor dit gereedschap geleverd met weinig lading. U moet de accu dan ook opladen tot de groene led rechtsvoor op de lader oplicht.
- **OPMERKING:** De eerste keer dat een accu wordt opgeladen, zal deze niet de volledige lading bereiken. Na meerdere cyclussen (gebruik gevolgd door laden) zal de accu volledig geladen zijn.
- Lees eerst de veiligheidsinstructies en volg dan de laadinstructies.
- Sluit de lader aan op een normaal 230V~50Hz stopcontact, de groene led linksvoor op de lader zal oplichten.
- Zorg dat de kabel niet geknikt of geknoopt is.
- Plaats de accu in de lader. (NB: de accu heeft uitstekende ribbels zodat deze maar op één manier in de lader past). De laadtijd is 32, 48, of 54 minuten.
- De rode led rechtsvoor op de lader licht op om aan te geven dat de accu wordt geladen. Er licht een groene led op als de accu geheel geladen is.
- Als de lader niet gebruikt wordt, neem deze dat uit het stopcontact en berg deze op in een geschikte kast.
- Laad de accu niet op bij vrieskou omdat het laadvermogen dan onvoldoende is.
- Bij het laden van meerdere accu's na elkaar moet de lader steeds minstens 30 minuten afkoelen voordat de volgende accu wordt geladen.
- Als het gereedschap niet in gebruik is, moet de accu worden verwijderd en veilig worden opgeslagen.



**OPGELET:** Als tijdens het laden geen enkele led oplicht, neem de accu dan uit de lader om beschadiging te voorkomen. Plaats dan NOOIT een andere accu.

## Koelsysteem

De lader heeft een interne ventilator om de lader te lader. Gebruik de lader nooit als de ventilator niet goed werkt of de ventilatie-openingen verstopt zijn. Voorkom dat voorwerpen in de lader dringen.

## Vertraging bij een warme/koude accu

Als de lader merkt dat de accu te warm of te koud is, start deze automatisch een warm/koud wachttijd. Het laden wordt dan uitgesteld tot de accu de geschikte temperatuur heeft bereikt. De lader schakelt dan weer automatisch over naar opladen. Deze functie optimaliseert de levensduur van de accu.

## Elektronisch beveiligingssysteem

Trend Li-Ion gereedschap is voorzien van een elektronisch beveiligingssysteem om de accu te beschermen tegen overbelasting, oververhitting of te diepe ontlading.

Het gereedschap schakelt automatisch uit als het elektronisch beveiligingssysteem geactiveerd wordt.

## Accu's binnen opladen

Deze lader is ontworpen voor gebruik binnen. Wij raden gebruik in een woning niet aan. Bij voorkeur moeten accu's worden geladen op een werkbank in een werkplaats, garage of schuur. Als het laden in een woning moet worden gedaan, moet de omgeving goede ventilatie hebben en de lader moet op een onbrandbaar oppervlak staan en de ventilatie-openingen mogen niet geblokkeerd worden.

## Montage op de muur

De laders zijn ontworpen voor montage op de muur, of rechtstandig gebruik op een tafel of ander oppervlak. Bij montage op de muur moet de lader worden gemonteerd in de buurt van een stopcontact, en niet bij een hoek of ander obstakel dat de luchtstroom zou kunnen beperken. Gebruik de achterkant van de lader als een mal om de plaats van de schroeven op de muur te bepalen. Monteer de lader met geschikte schroeven, afhankelijk van het type muur; wij bevelen een kopdoorsnede van 7 tot 9 mm en lengte van 25 mm aan. Laat de schroeven voldoende uitsteken om de lader te bevestigen. Lijn de uitsparingen op de achterkant van de lader uit met de schroeven en schuif deze in de uitsparingen.

## Reinigen van de lader



**WAARSCHUWING:** Gevaar op elektrische schok. Neem de stekker van de lader uit het stopcontact voordat u de lader reinigt. U kunt vuil en vet van de buitenkant van de lader verwijderen met een doek of zachte, niet-metalen borstel. Gebruik nooit water of reinigingsoplossingen. Zorg dat er nooit vloeistof in het gereedschap komt, pompel nooit onderdelen van het gereedschap onder in vloeistof.



## Accu's

### Belangrijke veiligheidsaanwijzingen voor alle accu's

Bij het bestellen van vervangende accu's moet u altijd de referentie en de spanning opgeven. Als u een nieuwe accu uit de verpakking neemt, is deze niet geheel geladen. Lees onderstaande veiligheidsinstructies voordat u de accu en lader gebruikt. Volg dan de beschreven laadinstructies.

## LEES ALLE INSTRUCTIES

- **Laad of gebruik de accu niet in een explosieve atmosfeer, zoals in de aanwezigheid van brandbare vloeistoffen, gassen of stof.** Het plaatsen of verwijderen van de accu in/uit de lader kan het stof of de dampen ontsteken.
- **Forceer de accu nooit bij het plaatsen in de lader. Wijzig de accu nooit om deze in een ongeschikte lader te plaatsen; de accu zou dan kunnen barsten en dit kan leiden tot ernstig letsel.**
- Laad de accu's alleen op in Trend laders.
- Voorkom bespatten met of onderdompeling in water of een andere vloeistof.
- **Bewaar/gebruik het gereedschap en de accu niet op plekken waar de temperatuur lager kan worden dan 4°C (zoals in een schuur of metalen gebouw in de winter) of 40°C kan bereiken of overschrijden (zoals in een schuur of metalen gebouw in de zomer).**
- **Verbrand de accu nooit, ook niet als deze zwaar beschadigd is of geheel versleten is.** De accu kan in het vuur exploderen. Bij verbranding van lithium-ion accu's komen schadelijke dampen en stoffen vrij.
- **Als de inhoud van de accu in aanraking komt met uw huid, was deze dan direct af met zachte zeep en water.** Als de accuvloeistof in het oog komt, spoel dan water over het geopende oog, gedurende 15 minuten of tot de irritatie over is. Als er medische hulp nodig is, geef dan aan dat het elektrolyt in de accu bestaat uit een mengsel van vloeibare organische carbonaten en lithiumzouten.
- **De inhoud van geopende accucellen kan irriteren van de luchtwegen veroorzaken.** Zorg voor frisse lucht. Als de symptomen voortduren, raadpleeg dan een arts.



**WAARSCHUWING:** Gevaar op brandwonden. Accuvloeistof kan brandbaar zijn bij blootstelling aan vonken of open vuur.



**WAARSCHUWING:** Probeer de accu nooit open te maken, om welke reden dan ook. Als de

behuizing van de accu gebarsten of beschadigd is, zet de accu dan niet in de lader. Voorkom beknelling, vallen of beschadiging van de accu. Als de accu of lader is blootgesteld aan een stoot, gevallen is, overreden is, of anderszins beschadigd is, mag deze niet gebruikt worden. Voorbeelden: doorboord met een spijker, geraakt door een hamer, er is iemand op gaan staan. Dit kan leiden tot een elektrische schok of elektrocutie. Beschadigde accu's moeten naar het servicecentrum gestuurd worden voor recycling.



**WAARSCHUWING: Brandgevaar.**

**Berg of transporteer de accu zo dat metalen voorwerpen niet in aanraking kunnen komen met de blootliggende accucontacten.** Bijvoorbeeld: plaats de accu niet in een werkschort, kledingzak, gereedschapskist, productkist, lade, enz. met daarin losse spijkers, schroeven, sleutels, enz.



**WAARSCHUWING:** Als het gereedschap

niet in gebruik is, moet het op een stevige ondergrond gezet worden waar het niet kan leiden tot struikelen of vallen. Sommige gereedschappen met grote accu's kunnen rechtop staan op de accu, maar kunnen dan makkelijk worden omgestoten.

**Gebruik van accu's**



**Laadstatus**

Om de resterende lading van de accu weer te geven, drukt u op de ladingsindicatie knop (Fig.2a). Fig. 2b geeft het verband aan tussen de ledindicatie en de resterende lading.

**OPMERKING:** De acculadingsindicatie geeft niet meer dan een indicatie van de resterende lading van de accu. Het geeft geen informatie over de functionaliteit van het gereedschap, en kan variëren afhankelijk van de productonderdelen, temperatuur en toepassing door de eindgebruiker.

**Zelfontlading**

Een lithiumaccu kan zelfontlading ondergaan, waardoor de opgeslagen lading vermindert. Doorgaans verliest een accu ongeveer 5% van de lading in de eerste maand na het volledig opladen, bij opslag op kamertemperatuur, en vervolgens 3% per maand. Bij opslag op hogere temperatuur zal de zelfontlading sneller verlopen.

**Transport**



**WAARSCHUWING: Brandgevaar.**

Transport van accu's kan leiden tot brand indien de accucontacten onbedoeld in aanraking komen met geleidende materialen. Bij het transport van accu's moet u veiligstellen dat de accucontacten beschermd zijn en geïsoleerd van materialen die ermee in aanraking zouden kunnen komen en zouden kunnen leiden tot kortsluiting.

**OPMERKING:** Lithium-ion accu's mogen niet in ruimbagage worden meegenomen.

Trend accu's voldoen aan alle geldende transportregels zoals vastgelegd in industrie- en bindende normen, waaronder de UN Recommendations on the Transport of Dangerous Goods; International Air Transport Association (IATA) Dangerous Goods Regulations, International Maritime Dangerous Goods (IMDG) Regulations, en de Europese overeenkomst voor het internationale vervoer van gevaarlijke goederen over de weg (ADR). Lithium-ion cellen en accu's zijn beproefd volgens artikel 38.3 van de UN Recommendations on the Transport of Dangerous Goods Manual of Tests and Criteria.

In de meeste gevallen zal een Trend accu bij transport niet worden aangemerkt als een klasse 9 gevaarlijke stof die volledig onder de regels valt. In het algemeen vallen alleen transporten met een lithium-ion accu met een capaciteit van meer dan 100 watt-uur (Wh) onder klasse 9 en volledig onder de regels.

De capaciteit in watt-uur is op de behuizing van alle lithium-ion accu's aangegeven. Bovendien raadt Trend, wegens de complexe regelgeving, het af losse lithium-ion accu's per lucht te verzenden, ongeacht de capaciteit in watt-uur. Transporten van gereedschappen met accu's (gecombineerde sets) kunnen per lucht worden getransporteerd, zonder beperkingen, indien de capaciteit in watt-uur van de accu niet groter is dan 100 watt-uur.

Bij alle transporten, of die nu onder de beperkingen en regelgeving vallen of niet, is de verzender verantwoordelijk voor het raadplegen van de actuele regels voor verpakking, etikettering/merktekens en vereiste documentatie.

De informatie in dit deel van het handboek wordt te goeder trouw gegeven en wij menen dat deze juist is ten tijde van het schrijven. Wij kunnen dit echter absoluut niet garanderen. De koper is verantwoordelijk voor het gebruik in overeenstemming met de geldende regelgeving.

**Aanbevelingen voor het opbergen**

De beste plaats voor het opbergen is een koele en droge plek, uit de buurt van direct zonlicht en kou en hitte. Voor de optimale prestaties en levensduur moeten de accu's op kamertemperatuur worden opgeborgen als ze niet in gebruik zijn.

Bij lange opslag wordt aanbevolen de geheel geladen accu op een koele, droge plaats op te bergen - niet in de lader - voor een optimaal resultaat.

**OPMERKING:** Accu's moeten niet worden opgeborgen als ze geheel ontladen zijn. De accu moet voor gebruik worden geladen.

## Etiketten op de lader en accu

Naast de pictogrammen in deze handleiding kunnen de etiketten op de lader en de accu ook de onderstaande pictogrammen tonen: -



Lees de handleiding voor gebruik.



Zie Technische gegevens voor de laadtijd.



Accu wordt geladen.



Accu is geladen.



Accu is defect.



Vertraagd opladen (accu koelt af of te koude accu).



Niet aanraken met geleidende objecten.



Beschadigde accu's nooit opladen.



Niet blootstellen aan water.



Defecte snoeren onmiddellijk laten vervangen.



Alleen laden tussen 4 °C en 40 °C.



Alleen voor binnengebruik.



Li-Ion Voer de accu af in overeenstemming met milieuregelinggeving.



Verbrand de accu niet.

## LEVERINGSOMVANG

- 1 x freesmachine
- 1 x invalvoet (bovenfrees/invalwerk)
- 1 x vaste voet (kantenfrees)
- 1 x spantang, 8 mm voor Europa, ¼-inch (6,35 mm) VK en Ierland
- 1 x zijgeleider voor invalvoet
- 1 x zijgeleider voor vaste voet
- 1 x uitlijnkegel en pen
- 1 x kopieerring 16 mm
- 1 x sleutel
- 1 x stofafzuigaansluiting van de invalvoet
- 1 x stofafzuigaansluiting van de vaste voet
- 1 x 4 Ah Slimline accu (niet bij body only sets)
- 1 x lader 6A (niet bij body only sets)
- 1 x Stevige beschermkoffer

**OPMERKING:** De B modellen worden geleverd zonder accu's, lader en koffer.

- Controleer het gereedschap, onderdelen en accessoires op eventuele transportschade.
- Neem de tijd om deze handleiding goed te lezen en te begrijpen voordat u dit product gebruikt.

## PICTOGRAMMEN OP HET GEREEDSCHAP

Het product is voorzien van de onderstaande pictogrammen:



Lees de handleiding voor gebruik.



Draag gehoorbescherming.



Draag oogbescherming.



Draag handbescherming.

### Positie van de datumcode

Het productiejaar is op het typeplaatje aangegeven.

## BESCHRIJVING VAN DE ONDERDELEN - (Fig. 1)

- A.** Aan-uitschakelaar
- B.** Vergrendelknop
- C.** Snelheidsregeling
- D.** Motorhuis
- E.** Tandheugel van het motorhuis
- F.** Spantang
- G.** Stevige beschermkoffer
- H.** Spindel vergrendelknop
- I.** Spindel
- J.** Werkverlichting
- K.** Accuaansluiting
- L.** Vergrendelknop van de invalvoet
- M.** Invalvoet (bovenfrees)
- N.** Knoppen van de zijgeleider van de invalvoet
- O.** Revolveraanslag van de invalvoet
- P.** Diepteaanslag van de invalvoet
- Q.** Micro-instelling van de diepteaanslag
- R.** Indicator van de diepteaanslag
- S.** Vergrendelknop van de diepteaanslag
- T.** Schaalverdeling van de diepteaanslag
- U.** Klem van de invalvoet
- V.** Zijknoppen van de invalvoet
- W.** Glijplaat van de invalvoet
- X.** Bevestigingsschroeven van de invalvoet
- Y.** Parallele zijgeleider van de invalvoet
- Z.** Vaste voet (kantenfrees)
- AA.** Klem van de vaste voet
- BB.** Glijplaat van de vaste voet
- CC.** Tandwiel en knop van de vaste voet
- DD.** Schroeven van de glijplaat van de vaste voet
- EE.** Parallele zijgeleider van de vaste voet

- FF.** Vergrendelknop van de parallelle zijgeleider van de vaste voet
- GG.** Centreerpen van de kopieerring pen ¼ inch/8 mm
- HH.** Centreerkegel van de kopieerring
- II.** Sleutel voor de moer van de spantang
- JJ.** Kopieerring, 16 mm
- KK.** Bevestigingsschroeven van de kopieerring
- LL.** Stofafzuigaansluiting voor de invalvoet
- MM.** Stofafzuigaansluiting voor de vaste voet
- NN.** Knop van de stofafzuigaansluiting voor de vaste voet
- OO.** Accu (niet bij body only sets)
- PP.** Lader (niet bij body only sets)

## TOEPASSING

Deze accu freesmachine is bedoeld voor middelzwaar frezen van hout, houtproducten en kunststof.

**NIET GEBRUIKEN** onder natte omstandigheden of in de aanwezigheid van brandbare vloeistoffen of gassen.

**VOORKOM** dat kinderen aan dit product kunnen komen. Bij gebruik van dit product door onervaren gebruikers is toezicht vereist.

- **Jonge kinderen en mensen met beperkingen.** Dit apparaat is niet bedoeld voor gebruik zonder toezicht door jonge kinderen of personen met beperkingen.
- Dit product is niet bedoeld voor gebruik door personen (waaronder kinderen) met beperkte fysieke, sensorische of mentale capaciteit; of met gebrek aan ervaring, kennis of vaardigheden, tenzij onder toezicht van een persoon die verantwoordelijk is voor hun veiligheid. Laat nooit kinderen alleen met dit product.

## MONTEREN EN INSTELLEN



**WAARSCHUWING:** Om het risico op ernstig letsel te verminderen, moet u het gereedschap uitschakelen en de accu verwijderen voordat u instellingen doet, of hulpstukken of accessoires monteert of verwijdert. Onbedoelde inschakeling kan letsel veroorzaken.



**WAARSCHUWING:** Gebruik alleen Trend accu's en laders.

### Accu ladingsindicatie - (Fig. 2 - 2a)

Om de resterende lading van de accu weer te geven, drukt u op de ladingsindicatieknop.

**OPMERKING:** De acculadingsindicatie geeft niet meer dan een indicatie van de resterende lading van de accu. Het geeft geen informatie over de functionaliteit van het gereedschap, en kan variëren afhankelijk van de productonderdelen, temperatuur en toepassing door de eindgebruiker.

### Plaatsen en verwijderen van de accu op/van het gereedschap - (Fig. 3 - 3a)



**OPMERKING:** Verzekert dat de accu geheel geladen is.

**OPMERKING:** Om ernstig letsel te voorkomen, moet u de accu altijd verwijderen en uw handen uit de buurt van de vergrendelingsknop houden bij het dragen of transporteren van het gereedschap.

Onjuiste plaatsing van de accu kan interne onderdelen beschadigen.

### Plaatsen van de accu in het gereedschap - (Fig. 3)



- Lijn de accu uit met de richels in de opening in het gereedschap voor de accu.
- Schuif de accu naar binnen tot deze goed vast zit en u de vergrendeling hoort inklikken.

### Verwijderen van de accu van het gereedschap - (Fig. 3a)



- Druk op de ontgrendeling en trek de accu uit de opening.
- Plaats de accu in de lader, zoals beschreven in het hoofdstuk 'Lader' van deze handleiding.

### Plaatsen van het motorhuis in de invalvoet - (Fig. 5 & 5b)



- Open de vergrendeling van de invalvoet, verzeker dat de spindelblokkering naar voren wijst, steek de motor geheel in de invalvoet, lijn de greef op de motor uit met de nok op de invalvoet.
- Sluit de vergrendeling.
- Om de voetplaat te verwijderen, keert u de procedure om.

### Plaatsen van het motorhuis in de vaste voet - (Fig. 5a)



- Open de vergrendeling van de vaste voet, verzeker dat de spindelblokkering naar voren wijst, steek de motor geheel in de invalvoet, lijn de greef op de motor uit met de nok op de invalvoet.
- Het rondsel van de trimbasis grijpt in met de tandheugel op de motor. Draai de knop van de trimvoet met de klok mee om de bovenfrees in de basis te laten zakken en om de hoogte van de frees in te stellen..

- Plaats de stofafzuigaansluiting op de vaste voet, zet de duimschroef vast.
- Om de voetplaat te verwijderen keert u de procedure om.

 **OPGELET:** Als u de machine gebruikt met de vaste voet, voor kantenfrezes, moet u de stofafzuigaansluiting op de vaste voet monteren.

### Instellen van de klemkracht van de vergrendeling - (Fig. 5c)

- Open de klem.
- Verdraai de instelschroef steeds een klein stukje met een zeskantsleutel.
- Draai de schroef naar rechts om de klemkracht te vergroten, en naar links om deze te verkleinen.

### Monteren van freesjes - (Fig. 6 - 6b)

- Steek de schacht over minstens 3/4 van de lengte (1) in de spantang.
- Druk de spindelblokkering naar tot de spindel is geblokkeerd, mogelijk moet u de spindel hiervoor iets verdraaien.
- Draai de moer van de spantang aan met de sleutel. Gebruik niet teveel kracht.

### Verwijderen van freesjes - (Fig. 6 - 6b)

- Druk de spindelblokkering naar tot de spindel is geblokkeerd.
- Draai de moer van de spantang los met de sleutel.
- Draai met de sleutel tot de moer vaster gaat zitten en dan weer loskomt. Dit is een beveiliging voor het losmaken van de spantang.
- Het freesje moet er nu uitglijden.
- Berg gebruikte freesjes veilig op.

 **WAARSCHUWING:** Draai de spantang nooit aan als er geen freesje in zit.

 **WAARSCHUWING:** Gebruik altijd freesjes met een schachtdoorsnede die overeenkomt met de doorsnede van de spantang.

 **WAARSCHUWING:** Diepe groeven moeten altijd in meerdere freesgangen gemaakt worden.

 **OPGELET:** Voordat u werkzaamheden aan de machine uitvoert, moet u verzekeren dat deze uitgeschakeld is en de accu verwijderd is.

### Vergrendelknop van de invalvoet - (Fig. 7)

- Oefen niet teveel kracht uit op de vergrendelknop. Te veel kracht kan de voet beschadigen.
- Druk de hendel naar beneden om de invalbeweging te vergrendelen.
- Als de vergrendelknop is ingedrukt, moet de motor niet bewegen in de voet.
- Als gebruik van de vergrendelknop te veel kracht vereist, of als de motor in de voet beweegt, moet de vergrendeling worden ingesteld.

### Centreren van de glijplaat op de invalvoet - (Fig. 8 - 8a)

- Als u een glijplaat/hulpvoet moet instellen, verwisselen of vervangen, wordt het gebruik van centreermiddel aanbevolen. Dit bestaat uit een kegel en een pen.

Het instellen van de glijplaat wordt hieronder beschreven.

- Plaats de kopieerring in de glijplaat.
- Maak de schroef van de glijplaat los (maar verwijder deze niet) zodat de glijplaat vrij kan bewegen.
- Plaats de pen in de spantang en draai de moer van de spantang aan.
- Plaats het motorhuis in de voet, klem het motorhuis vast.
- Plaats de kegel op de pen, druk licht op de kegel tot deze stopt. Dat centreert de glijplaat/hulpvoet.
- Hou de kegel naar beneden gedrukt en draai de schroeven van de hulpvoet aan.
- Zie ook de informatie over het monteren van de kopieerring in de invalvoet en de vaste voet (Fig. 12).

### Centreren van de glijplaat op de vaste voet - (Fig. 9)

- Als u een glijplaat/hulpvoet moet instellen, verwisselen of vervangen wordt het gebruik van centreermiddel aanbevolen. Dit bestaat uit een kegel en een pen.
- Het instellen van de glijplaat wordt hieronder beschreven. Met of zonder gemonteerde Kopieerring.
- Maak de schroef van de glijplaat los (maar verwijder deze niet) zodat de glijplaat vrij kan bewegen.
- Plaats de pen in de spantang en draai de moer van de spantang aan.

- Plaats de motor in de voet, klem de motor vast.
- Plaats de kegel op de pen, druk licht op de kegel tot deze stopt. Dat centreert de glijplaat/hulpvoet.
- Hou de kegel naar beneden gedrukt en draai de schroeven van de hulpvoet aan.
- Zie ook de informatie over het monteren van de kopieerring in de invalvoet en de vaste voet (Fig. 12).

### **De(monteren) van de parallel zijgeleider op de invalvoet - (Fig. 10)**

De parallel zijgeleider is voorzien van stangen.

- Draai de duimschroeven op de invalvoet los.
- Schuif de stangen van de parallel zijgeleider in de gaten van de invalvoet.
- Draai de duimschroeven aan om de geleider vast te zetten.
- Om de parallel zijgeleider te verwijderen draait u de duimschroeven los en trekt u de zijgeleider uit de invalvoet.

### **De(monteren) van de parallel zijgeleider op de vaste voet - (Fig. 11 - 11a)**

- Monteer de geleider met de bout met de vergrendelingskn.
- Bevestig de rechte geleider aan de trimmerbasis met de vergrendelingsknop van de parallelle zijgeleider van de trimvoet.

### **Monteren van de kopieerring in de invalvoet en de vaste voet - (Fig. 12)**

Met de kopieerring en een freesmal kunt u dezelfde vorm meerdere malen frezen.

- Plaats de kopieerring in de uitsparing in de onderkant van de voetplaat, en zet de kopieerring vast met de twee bevestigingsschroeven.

### **Instellen van de freesdiepte met de invalvoet - (Fig. 13 - 13c)**

- Plaats de machine op het werkstuk.
- Kies de gewenste stand van de revolveraanslag met 3 standen.
- Draai de vergrendeling van de diepteaanslag los.
- Zet de vergrendelknop van de invalbeweging los.
- Laat de machine langzaam zakken tot het freesje het werkstuk net raakt, zet dan de vergrendelknop van de invalbeweging vast.

- De diepteaanslag heeft een aanwijzer die met de schaalverdeling kan worden uitgelijnd.
- Stel de diepteaanslag in op de schaalverdeling, afhankelijk van de gewenste freesdiepte, klem deze vast met de duimschroef. **De afstand tussen de diepteaanslag en de schroef in de revolveraanslag bepaalt de freesdiepte.**

De diepteaanslag heeft een microinstelling.

- Voor de fijninstelling van de freesdiepte kunt u de microinstelling aan de bovenkant van de diepteinstelling verdraaien.
- Om dieper te frezen, draait u de knop naar links. Om minder diep te frezen, draait u de knop naar rechts.  
-1 rotatie = 1 mm

De verdraaibare revolveraanslag kan worden gebruikt om drie freesdieptes in te stellen. De diepte wordt ingesteld met een schroevendraaier en een 8 mm steeksleutel.

 **WAARSCHUWING:** Verdraai de revolveraanslag niet als de motor draait. Dan zouden uw handen te dicht bij het freesje komen.

 **OPGELET:** Schakel de motor in voordat u het freesje tegen het werkstuk drukt.

### **Instellen van de freesdiepte met de vaste voet - (Fig. 14)**

- Om de freesdiepte in te stellen, zet u de vergrendeling los, en dan verstelt u de voet naar boven of beneden met de vergrendelingskn.
- Na het instellen sluit u de vergrendeling.

**OPMERKING:** Als de motor niet vast zit na het sluiten van de vergrendeling, verdraai de zeskantmoer dan, en sluit de vergrendeling weer.

### **Bevestigingspunten voor accessoires - (Fig. 15)**

De frees heeft twee gaten met M6 draad in de voet voor het monteren van accessoires en het plaatsen in een freestafel.

### **GEBRUIK**



 **WAARSCHUWING:** Volg altijd de veiligheidsvoorschriften en toepasselijke regelgeving op.



**WAARSCHUWING:** Om het risico op ernstig letsel te verminderen, moet u het gereedschap uitschakelen en de accu verwijderen voordat u instellingen doet, of hulpstukken of accessoires monteert of verwijdt. Onbedoelde inschakeling kan letsel veroorzaken.

### Juiste plaatsing van de handen

- (Fig. 16 - 17)



**WAARSCHUWING:** Om het risico op ernstig letsel te verminderen, moet u uw handen **ALTIJD** plaatsen zoals getoond.



**WAARSCHUWING:** Om het risico op ernstig letsel te verminderen, moet u het gereedschap **ALTIJD** goed vasthouden en plotselinge bewegingen anticiperen.

- Bij gebruik van de invalvoet moet u de handgrepen aan de zijkant gebruiken, zoals in Fig. 16
- Bij gebruik van de vaste voet plaatst u een hand op de accu en de andere hand rond de voet, zoals in Fig. 17.

### Aan/uit en vergrendelknoppen



- (Fig. 18)

- Om de machine in te schakelen, drukt u op de vergrendelknop. Het gereedschap schakelt dan naar standby.
- Om het gereedschap te starten, drukt u op de aan-en-uitknop tijdens standby.
- Om het gereedschap te stoppen, drukt u nogmaals op de aan-en-uitknop. Het gereedschap schakelt dan naar standby.
- Om het gereedschap uit te schakelen, drukt u, tijdens standby, op de vergrendelknop.

**OPMERKING:** Als het gereedschap meer dan 10 seconden ongebruikt in standby staat, schakelt het automatisch uit en dooft de lamp.

**OPMERKING:** U kunt het gereedschap ook stoppen en uitschakelen door tijdens het werk op de vergrendelknop te drukken.



**OPGELET:** Controleer voor het starten van het gereedschap dat het werkgebied vrij is van ongewenste voorwerpen. Hou het gereedschap goed vast om het opstartmoment te kunnen weerstaan.



**OPGELET:** Om letsel en beschadiging van het werkstuk te voorkomen, moet u verzekeren dat de motor GEHEEL STILSTAAT voordat u het gereedschap neerlegt.

### Snelheidsregeling - (Fig. 19)



Het freesje mag niet zo snel door het hout worden gevoerd dat de motor langzamer gaat lopen, en niet zo langzaam dat het freesje brandsporen op het hout maakt. Beoordeel de snelheid door te luisteren naar het geluid van de motor tijdens het frezen.

- De draaisnelheid kan ingesteld worden met de snelheidsregeling. Onderstaande tabel geeft het getal op de snelheidsregeling en de overeenkomende draaisnelheid weer.

**OPMERKING:** Als de machine continu wordt gebruikt bij een lage snelheid, dan zal de motor worden overbelast en zal dit leiden tot een defect.

**OPMERKING:** Om de snelheidsregeling te verstellen van "6" naar "1", draait u de knop met de klok mee. Forceer de knop niet naar rechts.

**OPMERKING:** Om de kwaliteit van het werk te verhogen, moet u meerdere lichte freesgangen maken, in plaats van één zware.

### Draaisnelheidstabel

No.	Draaisnelheid
1	10,000 Min-1
2	14,000 Min-1
3	18,000 Min-1
4	22,000 Min-1
5	26,000 Min-1
6	30,000 Min-1

	1-24	30,000 (6)	
	24-30	22,000 (4)	
	30-38	18,000 (3)	

Gebruik over het algemeen de lagere instellingen voor grote diameters en de hogere instellingen voor kleine diameters. De juiste instelling is ook afhankelijk van de dichtheid van het materiaal, de snijdiepte en de aanvoersnelheid van de frees, omdat ernstig toerentalverlies overbelasting van de motor betekent. In de meeste gevallen is de langzaamste snelheid die vereist is voor grote messen (>=35mm) met kleinere schachtgroottes 12,500 t/min.

### Elektronische functies



Deze machine heeft elektronische functies voor meer gebruiksgemak.

- Constante snelheidsregeling - Zorgt voor een



constante draaisnelheid, onafhankelijk van de belasting.

- Soft start - Vermindert de schok bij het opstarten, de machine komt vloeiend op snelheid.

### Doorvoerrichting - (Fig. 20)

 **WAARSCHUWING: De richting waarin u freest (doorvoerrichting) moet altijd tegengesteld zijn aan de draairichting van het freesje. Anders bestaat er kans op terugslag (kickback).**

Bij het frezen langs een rand moet de doorvoerrichting van de frees tegengesteld zijn aan draairichting van het freesje. Zo werkt de frees goed en zal het freesje niet inbijten in het werkstuk. Ook wordt de frees naar het werkstuk toe getrokken. Daardoor zal de zijgeleider of het geleidelager minder de neiging hebben van de rand van het werkstuk weg te bewegen.

### Monteren/demonteren van de stofafzuigaansluiting op de invalvoet - (Fig. 21)

- Hou de machine vast, plaats de stofafzuigaansluiting op de invalvoet.
- Zet de vergrendelingskn.
- Sluit het geheel aan op een geschikte stofafzuiger, met slang en adapter.
- Om de stofafzuigaansluiting van de invalvoet te demonteren, maakt u de vergrendelingskn los en neemt u de stofafzuigaansluiting er af.

### Monteren/demonteren van de stofafzuigaansluiting op de vaste voet - (Fig. 22)

- Hou de machine vast, plaats de stofafzuigaansluiting op de vaste voet, en verzeker dat de pen in het gat valt.
- Draai de knop van de stofafzuigaansluiting naar rechts om deze vast te zetten.
- Sluit het geheel aan op een geschikte stofafzuiger, met slang en adapter.
- Om de stofafzuigaansluiting van de vaste voet te demonteren, draait u de knop van de stofafzuigaansluiting naar links en neemt u de stofafzuigaansluiting er af.

### Werkverlichting

 **OPGELET: Kijk niet direct in het licht of de lichtbron.**

- Om de verlichting in te schakelen, drukt u op de vergrendelknop. Om de verlichting uit te schakelen, drukt u nogmaals op de vergrendelknop.

**OPMERKING: Als de machine oververhit is, knippert de verlichting. Laat de machine dan geheel afkoelen voordat deze weer wordt gebruikt.**

**OPMERKING:** Veeg vuil van de lens van de lamp met een droge doek. Voorkom krassen op de lens, die verminderen de lichtsterkte.

### Frezen met de invalvoet en een freesje met lager - (Fig. 23)

- Druk op de vergrendelknop van de invalbeweging, druk de machine naar beneden tot het freesje de ingestelde diepte bereikt.
- Het kogellager van het freesje beweegt langs de rand van het werkstuk voor de geleiding.
- Voer de freesbewerking uit.
- Zet de vergrendelknop van de invalbeweging dan los.
- Schakel de machine uit.

### Frezen met de vaste voet

- Zet de voet op het werkstuk, zodanig dat het freesje voor kantbewerking het werkstuk niet raakt. Schakel de machine in, wacht tot het freesje volledig op snelheid is. Beweeg de machine naar voren, over het oppervlak van het werkstuk. Hou de voet op het werkstuk bij het bewegen van de machine.
- Bij het bewerken van de rand moet u de oppervlak van het werkstuk aan de linkerkant van het freesje houden, gezien vanuit de doorvoerrichting.

**OPMERKING:** Voordat u daadwerkelijk een werkstuk bewerkt, is het verstandig een proef te doen. De juiste doorvoersnelheid hangt af van de maat van het freesje, het soort werkstuk en de freesdiepte. Als u de machine te snel beweegt, kan dit leiden tot een lage freeskwaliteit, of beschadiging van het freesje of de motor. Als u de machine te langzaam beweegt, kan dit leiden tot verbranding en beschadiging van het oppervlak.

**OPMERKING: Te zwaar frezen kan de motor overbelasten of de controle over de machine bemoeilijken. Bij het frezen van groeven moet u per freesgang hoogstens 3 mm verwijderen. Bij het**

frezen van groeven dieper dan 3 mm moet u meerdere freesgangen maken, met een toenemende diepte-instelling.

**OPMERKING:** Voer de machine altijd door in de richting tegengesteld aan de draairichting van het freesje.

### **Gebruik van de parallel zijgeleider met de invalvoet - (Fig. 24)**

- Parallel zijgeleider gemonteerd op de invalvoet
- Maak de knoppen van de stangen van de zijgeleider los, stel de gewenste afstand in tussen het freesje en de parallel zijgeleider. Zet dan de knoppen vast.
- Beweeg de machine met de parallel zijgeleider tegen de rand van het werkstuk gedrukt.

**OPMERKING:** Voer de machine altijd door in de richting tegengesteld aan de draairichting van het freesje.

### **Gebruik van de parallel zijgeleider met de vaste voet - (Fig. 25)**

- Parallel zijgeleider gemonteerd op de vaste voet.
- Maak de vergrendelingskn van de geleider los, stel de afstand in tussen het freesje en de geleider. Zet dan de vergrendelingskn vast op de gewenste afstand.
- Druk de parallel zijgeleider tegen de rand van het werkstuk als u de machine doorvoert (beweegt).

**OPMERKING:** Voer de machine altijd door in de richting tegengesteld aan de draairichting van het freesje.

### **Gebruik van een kopieerring in de invalvoet - (Fig. 26 - 26b)**

- Kies een frees met een diameter die door het gat in de kopieerring past en voldoende tussenruimte openlaat.
- Stel de freesdiepte in.
- Druk de kopieerring tegen de freesmal, schakel de machine in, duw het freesje tot de ingestelde diepte.
- Frees in de aangegeven richting.
- Als u het einde bereikt heeft, laat u de motor naar boven bewegen en schakelt u de machine uit.

**OPMERKING:** Voer de machine altijd door in de richting tegengesteld aan de draairichting van het freesje.

 **OPGELET:** Schakel de motor in voordat u het freesje tegen het werkstuk drukt.

### **Gebruik van een kopieerring in de vaste voet - (Fig. 27)**


- Kies een frees met een diameter die door het gat in de kopieerring past en voldoende tussenruimte openlaat.
- Stel de freesdiepte in.
- Druk de kopieerring tegen de freesmal, schakel de machine in.
- Frees in de aangegeven richting.
- Als u het einde bereikt heeft, schakelt u de machine uit.

**OPMERKING:** Voer de machine altijd door in de richting tegengesteld aan de draairichting van het freesje.

### **ONDERHOUD**


Gebruik alleen originele Trend reserve onderdelen.

Deze machine is ontworpen voor een lange levensduur met minimaal onderhoud. De goede werking vereist goede zorg voor de machine en een regelmatige reiniging.

 **WAARSCHUWING:** Om het risico op ernstig letsel te verminderen, moet u het gereedschap uitschakelen en de accu verwijderen voordat u instellingen doet, of hulpstukken of accessoires monteert of verwijderd. Onbedoelde inschakeling kan letsel veroorzaken.

De lader en accu zijn onderhoudsvrij.

Gebruik geen oplosmiddel bij het reinigen van kunststof onderdelen. De meeste kunststoffen zijn gevoelig voor allerlei oplosmiddelen en kunnen door gebruik daarvan worden beschadigd. Verwijder vuil, stof olie, smeervet, enz. met een schone doek.

 **WAARSCHUWING:** Zorg dat remvloeistof, benzine, producten op oliebasis, kruipolie, enz. nooit in aanraking komen met kunststof onderdelen. Chemicaliën kunnen kunststof beschadigen, verzwakken of vernietigen en kunnen leiden tot ernstig letsel.

Elektrisch gereedschap dat wordt gebruikt op fiberglas, muurplaten, vulmiddel of pleister zal sneller slijten en mogelijk voortijdig falen omdat het fiberglas en de slijpstof bijzonder schadelijk zijn voor lagers, koolborstels, commutators, enz. Wij raden dit gereedschap dan ook niet aan voor het langdurig bewerken van dergelijke materialen. Als u met dergelijke materialen werkt, is het bijzonder belangrijk het gereedschap met perslucht te reinigen.

## Smering

- Dit elektrische gereedschap heeft geen aanvullende smering nodig.

## Reinigen



**WAARSCHUWING:** Blaas verontreiniging en stof uit de behuizing met droge lucht zodra u ziet dat verontreiniging zich opbouwt in en rond de ventilatie-openingen. Draag hierbij altijd goedgekeurde oogbescherming en een goedgekeurd stofmasker.



**WAARSCHUWING:** Maak de niet-metalen onderdelen van het gereedschap nooit schoon met oplosmiddelen of andere bijtende chemicaliën. Deze chemicaliën kunnen de materialen van deze onderdelen verzwakken. Gebruik alleen een doek bevochtigd met water en zachte zeep. Zorg dat er nooit vloeistof in het gereedschap komt, dompel nooit onderdelen van het gereedschap onder in vloeistof.

## Opbergen

- Plaats het gereedschap na gebruik in de doos.

## MILIEUBESCHERMING



Gooi grondstoffen niet weg maar zorg voor recycling.

Accessoires en verpakking moeten worden gesorteerd voor milieuvriendelijke recycling.

Gescheiden afvoer. Dit product mag niet worden afgevoerd met huishoudelijk afval.

## Accu's en het milieu



Deze machine gebruikt lithium-ion (Li-Ion) accu's. Als een accu vervangen moet worden, raden wij het volgende aan: Ontlaad de accu geheel door deze te gebruiken tot hij leeg is, neem de accu dan van het gereedschap.

Li-Ion cellen kunnen gerecycled worden, gooi ze dus niet weg met huishoudelijk afval. Anders zouden ze in de afvalverbranding of stortplaats terecht kunnen komen - dat moet worden vermeden.

Neem de accu's naar een Trend servicevertegenwoordiger, uw Trend dealer, of een recyclingvoorziening. Neem indien nodig contact op met de gemeente voor informatie over de afvoer. De ingezamelde accu's worden op de juiste wijze afgevoerd en/of gerecycled.

## Huishoudelijke gebruikers

Plaatselijke regelgeving voorziet mogelijk in de aparte inzameling van elektrische producten, bij een gemeentelijk milieupunt, of bij de leverancier waar u een nieuw product koopt. Neem contact op met de klantenservice van Trend over advies over de milieuverantwoorde afvoer van overtollige elektrische Trend producten, of bezoek [www.trend-uk.com](http://www.trend-uk.com)

## Bedrijfsmatige gebruikers

Neem contact op met de klantenservice van Trend over de afvoer van overtollige elektrische Trend producten.

## GARANTIE

Dit product heeft fabrieksgarantie in overeenstemming met voorwaarden op de bijgesloten garantiekaart.

Voor het adres van de dichtstbijzijnde Trend servicevertegenwoordiger kunt u de klantenservice van Trend bellen, of zie [www.trend-uk.com](http://www.trend-uk.com)

## SE - T18S/R14

Grattis till din nya Trend-produkt. Vi hoppas att du kommer att få många års kreativ och produktiv användning.

Glöm inte att skicka in garantikortet inom 28 dagar efter inköpet.

### TEKNISKA DATA

Spänning	VDC	18
Batterityp		Li-jon
Slaglängd för sänkenhet	mm	60
Hylsstorlek (Storbritannien och Irland)	mm	6,35 (1/4 tum)
Hylsstorlek Europa	mm	8
Varvtal obelastad	varv per minut	10 000 – 30 000
Bottenplatta Fräsdiameter (max.)	mm	38.1
Glidplatta Fräsdiameter (max.)	mm	37.2
Bottenplatta Vikt	kg	2.25
Glidplatta Vikt	kg	1.36
Batteri*		
Batteriets kapacitet	Ah	2
	Ah	4
	Ah	5
Laddare*		
Matningsspänning	V	220–240
Nätfrekvens	Hz	50/60
Utspänning	V	21
Utström	A	6
Laddningstid T18S/BA2**	min	32
Laddningstid T18S/BA4AM**	min	48
Laddningstid T18S/BA5A**	min	54
*Endast för modeller utrustade med batteri och laddare		
**Laddningstid gäller endast för batteri med kapacitet som anges i tabellen		
Bullervärden och vibrationsvärden (triaxial vektorsumma) enligt, EN 62841-2-17		

Ljudtrycksnivå $L_{pA}$ (osäkerhet för angivet ljudtryck) $K_{pA}$	dB(A)	92.7 3
Ljudeffektnivå $L_{WA}$ (osäkerhet för angivet ljudtryck) $K_{WA}$	dB(A)	103.7 3
Vibrationsemissionsvärde $a_h =$ Osäkerhet $K =$	m/s <sup>2</sup>	2.549 1.5

Vibrations- och/eller bullernivå som anges i detta informationsblad har uppmätts i enlighet med ett standardiserat test i EN 62841 och kan användas för att jämföra verktyg med varandra. Den kan användas för en preliminär uppskattning av exponering.



### VARNING!

Angiven vibrationsnivå gäller vid verktygets huvudsakliga avsedda användning. Om verktyget används för olika tillämpningar, med andra tillbehör eller underhålls dåligt kan vibrationsemissionen avvika. Detta kan öka exponeringsnivån avsevärt under den totala arbetsperioden. Vid en uppskattning av exponering för vibrationer ska det också tas hänsyn till de tidpunkter då verktyget är avstängt eller när det används för annat än att utföra arbetet. Detta kan reducera exponeringsnivån avsevärt under den totala arbetsperioden. Identifiera ytterligare säkerhetsåtgärder som behöver vidtas för att skydda operatören från biverkningar från vibrationer, som till exempel underhåll av verktyget och dess tillbehör, att hålla händerna varma och upprätta arbetsmönster.

### EG-FÖRSÄKRAN OM ÖVERENSSTÄMMELSE

#### MASKINDIREKTIVET



#### SLADDLÖS ÖVERFRÄS

#### T18S/R14

Trend intygar att den produkt som beskrivs under tekniska data överensstämmer med 2006/42/EG, och har utformats i enlighet med EN 62841-1:2015, EN 62841-2-17:2017

Dessa produkter uppfyller även direktiv 2014/30/EU och 2011/65/EU. Om du vill ha mer information kan du kontakta Trend på följande adress eller se baksidan av handboken. Undertecknad gör denna försäkring på uppdrag av Trend Tool Technology Ltd.

Neil McMillan  
Technical Director

Trend Tool Technology Ltd,  
Odhams Trading Estate,  
Watford, WD24 7TR,  
England  
01/08/2021

**Technical File Contact**  
Trend Tool Technology Ltd  
3rd Floor, Kilmore House,  
Park Lane, Spencer Dock,  
Dublin 1, Ireland



**WARNING:** Läs bruksanvisningen! Det är viktigt för att du ska kunna minska risken för personskada.

#### Definitioner: Säkerhetsanvisningar

Definitionerna nedan beskriver allvarlighetsgraden för varje signalord. Läs handboken och var uppmärksam på dessa symboler.



**FARA:** Indikerar en överhängande farlig situation som, om den inte undviks, kommer att leda till dödsfall eller allvarlig personskada.



**WARNING:** Indikerar en potentiellt farlig situation som, om den inte undviks, kan leda till dödsfall eller allvarlig personskada.



**VAR FÖRSIKTIG:** Indikerar en potentiellt farlig situation som, om den inte undviks, kan leda till lättare eller lindrig personskada.



**OBSERVERA:** Anger en praxis, inte kopplad till personskada, som, om den inte undviks, kan leda till egendomsskador.



Indikerar risk för elstöt.



Indikerar brandrisk.



## ALLMÄNNA SÄKERHETSVARNINGAR FÖR ELVERKTYG



**WARNING!** Läs alla säkerhetsvarningar, anvisningar, illustrationer och specifikationer som medföljer detta elverktyg. Underlåtenhet att följa samtliga anvisningar som anges nedan kan leda till elstöt, brand och/eller allvarlig personskada.

## SPARA ALLA VARNINGAR OCH ANVISNINGAR FÖR FRAMTIDA REFERENS.

Termen "elverktyg" i varningarna avser ditt eldrivna (sladdanslutna) elverktyg eller batteridrivet (sladdlöst) elverktyg.

### 1) Arbetsplats säkerhet

a) Försäkra dig om att arbetsområdet är rent och

väl upplyst. Belamrade eller mörka områden ökar risken för olycka.

b) Använd inte elverktyg i explosiva miljöer, till exempel i närheten av brandfarliga vätskor, gaser eller damm. Vid användning av elverktyg genereras gnistor som kan antända damm eller ångor.

c) Håll barn och obehöriga på avstånd när elverktyg används. Distractioner kan leda till att du förlorar kontrollen.

### 2) Elsäkerhet

a) Elverktygets kontakt måste passa korrekt i vägguttaget. Modifiera aldrig kontakten på något sätt. Använd inte kontaktadapter när du använder jordade elverktyg. Omodifierade kontakter och matchande vägguttag minskar risken för elstöt.

b) Undvik kroppskontakt med jordade ytor som rör, kylare, spisar och kylskåp. Risken för elstöt ökar om din kropp är jordad.

c) Utsätt inte elverktyg för regn eller våta förhållanden. Om det kommer in vatten i elverktyget ökar risken för elstöt.

d) Använd inte sladden på fel sätt. Använd aldrig sladden för att bära, dra eller koppla ur elverktyget. Se till att sladden inte kommer i kontakt med värme, olja, vassa kanter eller rörliga delar. Skadade eller intrasslade sladdar ökar risken för elstöt.

e) Vid användning av elverktyg utomhus måste du använda en förlängningssladd som är lämplig för utomhusbruk. Vid användning av sladd avsedd för utomhusbruk minskar risken för elstöt.

f) Om det inte går att undvika att elverktyget används på en fuktig plats måste strömförsörjningen skyddas med jordfelsbrytare (RCD). Användning av jordfelsbrytare minskar risken för elstöt.

### 3) Personlig säkerhet

a) Var uppmärksam, tänk på vad du gör och använd sunt förnuft när du använder elverktyg. Använd inte elverktyg när du är trött eller påverkad av droger, alkohol eller läkemedel. Ett ögonblicks ouppmärksamhet vid användning av elverktyg kan leda till allvarlig personskada.

b) Använd personlig skyddsutrustning. Använd alltid ögonskydd. Skyddsutrustning som dammask, halkfria skyddsskor, skyddshjälm eller hörselskydd minskar risken för personskada.

c) Förhindra oavsiktlig start. Försäkra dig om att brytaren är i avstängt läge innan du ansluter verktyget till strömkälla och/eller batteripaket och innan du lyfter upp eller bär det. Det föreligger mycket stor risk för olycka om du bär elverktyg med fingret på strömbrytaren eller om du ansluter elverktyg till strömförsörjning när brytaren är intryckt.

**d) Ta bort eventuell justeringsnyckel eller fast nyckel innan du startar elverktyget.** Om det sitter nyckel eller justeringsnyckel på någon av elverktygets roterande delar finns det risk för personskada.

**e) Sträck dig inte för långt. Se till att du alltid står stadigt och har balans.** På så sätt har du lättare att kontrollera elverktyget i oväntade situationer.

**f) Klä dig på rätt sätt. Bär inte kläder som sitter löst eller smycken. Håll hår och kläder på säkert avstånd från rörliga delar.** Löst sittande kläder, smycken eller långt hår kan fastna i rörliga delar.

**g) Om det finns enheter för anslutning av dammsugs- och uppsamlingsanläggningar ska du se till att dessa är anslutna och används på rätt sätt.** Vid användning av dammuppsamling kan dammrelaterade risker minska.

**h) Även om du har mycket erfarenhet av verktyg är det viktigt att du inte blir för självsäker och slutar följa säkerhetsrutiner för verktyget.** En enda vårdslös handling kan orsaka allvarlig personskada inom bråkdelar av en sekund.

#### **4) Användning och skötsel av elverktyg**

**a) Forcera inte elverktyget. Använd korrekt elverktyg för tillämpningen.** Med korrekt elverktyg utförs det arbete som verktyget är avsett för både bättre och säkrare.

**b) Använd endast elverktyg som kan startas och stängas av med brytaren.** Alla elverktyg som inte kan regleras med brytaren är farliga och måste repareras.

**c) Koppla loss kontakten från strömkällan och/eller batteripaketet (om det är borttagbart) från elverktyget innan du gör några justeringar, byter tillbehör eller förvarar elverktyg.** Sådana förebyggande säkerhetsåtgärder minskar risken att elverktyget startas oavsiktligt.

**d) Förvara elverktyg utom räckhåll för barn. Låt endast personer som är vana vid användning av elverktyget eller som har läst dessa anvisningar använda elverktyget.** Elverktyg är farliga om de används av utbildade användare.

**e) Underhåll elverktyg och tillbehör. Kontrollera om rörliga delar är felaktigt inriktade eller om de kärvar, om det finns trasiga delar eller annat som kan påverka elverktygets funktion. Försäkra dig om att eventuellt skadat elverktyg repareras före användning.** Många olyckor orsakas av dåligt underhållna elverktyg.

**f) Håll skärverktygen slipade och rena.** Korrekt underhållna skärverktyg med slipade skärreggar är mindre benägna att kärva och är lättare att kontrollera.

**g) Använd elverktyg, tillbehör och fräsverktyg etc. enligt dessa anvisningar och ta hänsyn till arbetsförhållanden och det arbete som ska utföras.** Användning av elverktyg för annat än avsedd användning kan leda till farlig situation.

**h) Håll handtag och greppytor torra, rena och fria från olja och fett.** Håll handtag och greppytor äventyrligt säkra hantering och kontroll av verktyget i oväntade situationer.

#### **5) Användning och skötsel av batteridrivna verktyg**

**a) Ladda endast med den laddare som specificerats av tillverkaren.** En laddare som är lämplig för en typ av batteripaket kan utgöra en brandrisk när den används tillsammans med ett annat batteripaket.

**b) Använd endast elverktyg tillsammans med avsett batteripaket.** Användning av andra batteripaket kan utgöra en risk för personskada och brand.

**c) Batteripaket som inte används ska förvaras på säkert avstånd från andra metallföremål, som till exempel gem, mynt, nycklar, spikar, skruvar eller andra små metallföremål som kan kortsluta polerna.** Kortslutning av batteripolerna kan orsaka brännskada eller brand.

**d) Vid felaktiga förhållanden kan vätska spruta ut ur batteriet. Försäkra dig om att du inte kommer i kontakt med denna vätska. Spola med rikligt med vatten om du kommer i kontakt med denna vätska. Sök läkarhjälp om du får vätska i ögonen.** Vätska som sprutar ut ur batteriet kan orsaka irritation eller brännskada.

**e) Använd inte batteripaket eller verktyg som har skadats eller modifierats.** Skadade eller modifierade batterier kan fungera på ett oförutsägbart sätt och orsaka brand, explosion eller risk för personskada.

**f) Utsätt inte ett batteripaket eller verktyg för brand eller för hög temperatur.** Exponering för brand eller temperatur högre än 130 °C kan orsaka explosion.

**g) Följ alla laddningsanvisningar och ladda inte batteripaket eller verktyg utanför det temperaturintervall som anges i anvisningarna.** Felaktig laddning eller laddning vid temperaturer utanför angivet intervall kan skada batteriet och öka risken för brand.

#### **6) Service**

**a) Försäkra dig om att elverktyget servas av behörig reparatör som använder sig uteslutande av originalreservdelar.** På så sätt säkerställs att elverktyget är säkert.

**b) Reparera inte skadat batteripaket.** Service av batteripaket får utföras endast av tillverkaren eller auktoriserad serviceverkstad.

#### **Ytterligare specifika säkerhetsregler för kompakta överfräsar**



- Använd tvingar eller annat lämpligt sätt för att sätta fast och stötta upp arbetsstycket på en stabil plattform. Om du håller arbetsstycket i handen

eller mot kroppen blir det ostadigt och du kan förlora kontrollen under fräsning.

- **Bearbeta INTE arbetsstycke av metall.**
- **Håll handtag och greppytor torra, rena och fria från olja och fett.** På så sätt får du bättre kontroll över verktyget.
- **Håll verktyget i ett stadigt grepp med båda händerna så att du klarar av att hålla emot startmomentet.** Håll alltid verktyget i ett stadigt grepp när du använder det.
- **Följ alltid varvtalsrekommendationer från tillverkaren av fräsverktyget (vissa fräsverktyg har specifika begränsningar för varvtal av säkerhets- eller prestandaskäl).** Kontakta tillverkaren av fräsverktyget om du är osäker på korrekt varvtal eller om något annat problem uppstår.
- **Håll händerna borta från bearbetningsområdet.** Ha aldrig någon del av kroppen under arbetsstycket. Håll alltid överfräsens fotplatta i kontakt med arbetsstycket vid bearbetning.
- **Kör aldrig motorenheten när den inte är insatt i någon av överfräsens fotplattor.** Motorn är inte avsedd att hållas i handen.
- **Försäkra dig om att skärtrycket är konstant.** Överbelasta inte motorn.
- **Använd endast skarpa fräsar.** Slöa fräsar kan göra att överfräsen rör sig ur sin bana eller stannar under bearbetning.
- **Försäkra dig om att motorn har stannat innan du lägger ned överfräsen.** Om fräsverktyget fortfarande roterar när verktyget läggs ned kan följden bli personskada eller skada på egendom.
- **Försäkra dig om att överfräsens fräs inte är i kontakt med arbetsstycket innan du startar motorn.** Om fräsverktyget kommer i kontakt med arbetsstycket när motorn startar kan följden bli att överfräsen hoppar till, vilket kan leda till personskada eller skada på egendom.
- **Ta ALLTID ut batteriet innan du utför justeringar eller byter fräsverktyg.**
- **Risk för personskada!** Håll händerna på säker avstånd från fräsverktyg när motorn är startad.
- **Vidrör aldrig fräsverktyg omedelbart efter bearbetning. De kan vara extremt varma.**
- **Försäkra dig om att det finns utrymme under arbetsstycket så att överfräsens fräsverktyg kan passera fritt utan att ta i någonting.**
- **Dra åt hylsmuttern ordentligt så att fräsverktyget inte rör sig i hylsan.**
- **Dra aldrig åt hylsmuttern när det inte sitter ett fräsverktyg i hylsan.**
- **Använd inte fräsverktyg med diameter som överstiger 35 mm i denna överfräs.**

- **Undvik medfräsning (överkorsad fräsriktning i Fig. 20a). Vid medfräsning ökar risken för att du tappar kontrollen över överfräsen, vilket kan leda till personskada.**
- Använd endast fräs med samma skaftdiameter som diametern på verktygets hylsa.
- Använd endast fräsverktyg lämpliga för (och märkta med) varvtal 30 000 varv/min.
- **Håll inte överfräsen upp och ned eller i horisontellt läge med handen.** Motorn kan lossna från fotplattan om den inte är korrekt monterad enligt anvisningarna.
- Städa arbetsområdet så att det inte finns några främmande föremål där innan du påbörjar arbetet.
- **Försäkra dig om att spänskyddet (om sådant ingår) är rent och korrekt monterat.**
- **Tryck inte på spindellåsknappen när motorn är startad. Om du gör det kan spindellåset skadas.**
- **Försäkra dig alltid om att arbetsytan är fri från spikar och andra främmande föremål.** Om du fräser i en spik kan följden bli att fräsverktyget och överfräsen hoppar till.

## KVARSTÅENDE RISKER

Trots tillämpning av relevanta säkerhetsbestämmelser och implementering av säkerhetsanordningar kan vissa kvarstående risker inte undvikas. Dessa är:

- Hörselnedsättning.
- Risk för personskada på grund av flygande partiklar.
- Risk för brännskada på grund av att tillbehören blir heta under drift.
- Risk för personskada på grund av långvarig användning.

## SPARA DESSA INSTRUKTIONER



### Elsäkerhet

Elmotorn har konstruerats för endast en spänning. Kontrollera alltid att batteripaketets spänning överensstämmer med den spänning som anges på märkplåten. Försäkra dig också om att laddarens spänning överensstämmer med nätspänningen.



Trend-laddaren är dubbelisolerad i enlighet med EN 60335, och därför behövs ingen jordledning.

Om nätsladden är skadad måste den bytas ut (den får endast ersättas med sladd som anges av serviceorganisation tillhandahåller).

### Byte av nätkontakt (endast Storbritannien och Irland)

Om en ny nätkontakt behöver installeras:

- Avfallshanterar den gamla kontakten på korrekt sätt.

- Anslut den bruna ledaren till den strömförande plinten i kontakten.
- Anslut den blå ledaren till neutral plint.



**VARNING:** Ingen anslutning får utföras till jordplinten.

Följ monteringsanvisningar för kontakten (monteringsanvisningar medföljer kvalitetskontakter).  
Rekommenderad säkring: 3A.

### Använda en förlängningskabel

Använd förlängningssladd endast om detta är absolut nödvändigt. Använd en godkänd förlängningssladd med dimension som är lämplig för laddarens ineffekt (**se tekniska data**). Min. tvärsnittsarea för ledare är 1mm<sup>2</sup>. Max. längd är 30 meter.

När du använder en kabeltrumma ska du alltid rulla ut kabeln helt.

### Viktiga säkerhetsanvisningar för alla batteriladdare

- Innan du använder laddaren är det viktigt att du läser alla anvisningar och varningsmarkeringar på laddare, batteripaket och produkt som använder batteripaket.



**VARNING:** Risk för elstöt. Försäkra dig om att det inte kan komma in vätska i laddaren (om det gör det kan följden bli elstöt).



**VARNING:** Vi rekommenderar att du använder jordfelsbrytare med avsedd för restström 30 mA eller lägre.



**VAR FÖRSIKTIG:** Risk för brännskada. Ladda endast laddningsbara Trend-batterier (på så sätt minimerar du risken för personskada). Andra typer av batterier kan spricka och orsaka personskada och skada på egendom.



### **VAR FÖRSIKTIG:**

Försäkra dig om att barn övervakas så att de inte kan leka med apparaten.

**OBSERVERA:** Under vissa förhållanden, när laddaren är ansluten till strömförsörjning, kan laddaren kortslutas av främmande material. Främmande material som är elektriskt ledande som till exempel (men inte begränsat till) slipdamm, metallspånor, stålull, aluminiumfolie eller ansamling av metallpartiklar måste hållas på säkert avstånd från laddarens håligheter. Koppla alltid bort laddaren från strömförsörjning när det inte finns något

batteri i den. Koppla bort laddaren från strömförsörjning innan du rengör den.

- **Små barn och svaga personer.** Denna apparat är inte avsedd att användas av små barn eller svaga personer som inte övervakas.
- Denna produkt är inte avsedd att användas av personer (inklusive barn) som lider av nedsatt fysisk, sensorisk eller mental förmåga eller med bristande erfarenhet och/eller kunskap eller färdighet, såvida de inte övervakas av en person som ansvarar för deras säkerhet. Barn får aldrig lämnas ensamma så att de kan leka med den här produkten.
- **Försök INTE ladda batteripaketet med andra laddare än de som beskrivs i denna handbok.** Laddare och batteripaket är särskilt avsedda att användas tillsammans.
- **Dessa laddare är inte avsedda för andra användningsområden än laddning av laddningsbara Trend-batterier.** Andra användningsområden kan leda till risk för brand, elstöt eller livsfarlig elektrisk stöt.
- **Utsätt inte laddaren för regn eller snö.**
- **Dra i kontakten (inte i sladden) när du kopplar bort laddaren från strömförsörjning** (på så sätt minskar du risken för skada på kontakt och sladd).
- **Försäkra dig om att sladden är placerad på ett sätt så att det inte finns risk att någon trampar eller snubblar på den eller att den på annat sätt kan utsättas för skada eller påfrestningar.**
- **Använd förlängningssladd endast om det är absolut nödvändigt.** Fel typ av förlängningssladd kan orsaka brand, elstöt eller livsfarlig elektrisk stöt
- **Placera inga föremål ovanpå laddaren. Placera inte heller laddaren på en mjuk yta som kan blockera ventilationsöppningar och leda till mycket hög intern värme.** Placera laddaren på säkert avstånd från annan värmekälla. Laddaren ventileras genom öppningar längst upp och längst ned på höjdet.
- **Använd inte laddaren om dess sladd eller kontakt är skadad** – lämna omedelbart in laddaren för reparation.
- **Använd inte laddaren om den har fått ett hårt slag, om den har tappats eller på annat sätt skadats.** Lämna in den till auktoriserat servicecenter.
- **Demontera inte laddaren. Ta med den till ett auktoriserat servicecenter vid behov av service eller reparation.** Felaktig montering kan leda till risk för elstöt, livsfarlig elektrisk stöt eller brand.
- Skadad nätsladd måste omedelbart bytas ut av tillverkaren, tillverkarens serviceagent eller liknande behörig person, för att undvika eventuell fara.
- **Koppla bort laddaren från vägguttaget innan du rengör den. Detta minskar risken för elstöt.** Det räcker inte att ta bort batteripaketet för att minska risken för elstöt.




- **KOPPLA INTE** ihop två laddare.
- **Laddaren är avsedd för strömförsörjning med hushållsel (230 V). Strömförsörj den inte med någon annan spänning.** Detta gäller inte för billaddaren.
- **Försäkra dig om att laddaren står stabilt och säkert.** Batteri eller laddare som faller kan utgöra en risk för personskada – både för dig och/eller andra personer.

## SPARA DESSA INSTRUKTIONER

### Laddare

Trend-laddare behöver inte justeras. De är utformade för att vara så enkla som möjligt att använda.

Laddaren T18S/CH6A är avsedd för Trend-batteripaket (Li-jon, 18 V) (T18S/BA2A, T18S/BA4AM och T18S/BA5A).

 **VARNING!** Ladda endast i kompatibla laddare (18 V). Användning av andra laddare kan leda till brand, skada eller allvarig personskada.

### Laddning av batteri och drift (Fig. 4 – 4d)



- Batteripaketet för detta verktyg har fraktats i ett tillstånd med låg laddningsnivå, för att förhindra eventuella problem. Därför ska du ladda det tills den gröna lysdioden på den främre högra sidan av laddaren lyser.
- **OBS!** Batterierna kan inte fulladdas den första gången de laddas. Det krävs flera cykler (användning följt av laddning) för de ska bli fulladdade.
- Läs säkerhetsanvisningarna och ladda därefter enligt laddningsanvisningar.
- Anslut laddaren till ett standardvägguttag (230 VAC, 50 Hz) (den gröna lysdioden på laddarens vänstra framsida tänds).
- Försäkra dig om att sladden inte har knutar eller är böjd.
- Placera batteripaketet i laddaren (batteriet har ribbor som gör att det kan placeras endast på ett sätt i laddaren). Det finns tre laddningstider: 32, 48 och 54 minuter.
- Den röda lysdioden på laddarens främre högra sida tänds för att indikera att laddning pågår. En grön lysdiod tänds när batteriet är fulladdat.
- Koppla bort laddaren från strömförsörjning när den inte används och förvara den i ett lämpligt förvaringsskåp.
- Ladda inte batteriet i minusgrader (eftersom laddningseffekten då inte är tillräcklig).
- Om du laddar mer än ett batteripaket i följd måste laddaren få svalna i minst 30 minuter innan du laddar ett nytt batteri.
- Ta alltid ut batteripaketet och förvara det på ett säkert sätt när verktyget inte används.



**VAR FÖRSIKTIG:** Om ingen lysdiod lyser någon gång under laddning tar du ut batteripaketet ur laddaren (det finns risk att produkten skadas annars). Sätt INTE i ett annat batteri.

### Kylsystem

Laddaren har en inbyggd fläkt som har till uppgift att kyla ned Laddaren. Använd laddaren endast om fläkten fungerar korrekt och ventilationsöppningarna är fria från hinder. Försäkra dig om att främmande föremål inte kan komma in i laddaren.

### Avbrott i laddning vid varmt/kallt batteripaket

När laddaren detekterar att batteripaketet är för varmt eller för kallt avbryter den automatiskt laddningen tills batteripaketet har uppnått korrekt temperatur. Laddaren växlar därefter automatiskt till laddningsläge för batteripaketet. Tack vare den här funktionen kan maximal livslängd för batteripaketet säkerställas.

### Elektroniskt skyddssystem

Trend-verktyg med Li-jon-batteri har ett elektroniskt skyddssystem som skyddar batteripaketet mot överbelastning, överhettning eller djupurladdning. Verktyget stängs av automatiskt när det elektroniska skyddssystemet aktiveras.

### Batteriladdning inomhus

Laddaren är avsedd att användas inomhus. Vi rekommenderar emellertid att den inte används inomhus i hem. Bäst är det om batterier laddas placerade på en bänk i verkstad, garage eller bod. Om laddningen ska utföras inomhus i hemmamiljö måste området vara väl ventilerat. Försäkra dig om att laddaren placeras på en icke brännbar yta och att ventilationsöppningarna inte är igensatta

### Väggmontering

Dessa laddare är avsedda att monteras på vägg eller placeras upprätt på bord eller arbetsyta. Vid väggmontering ska laddaren placeras inom räckhåll för ett vägguttag och på säkert avstånd från hörn eller andra hinder som kan hindra luftflödet. Använd laddarens baksida som mall när du märker upp var fästskruvarna ska placeras på väggen. Montera laddaren säkert med lämpliga fästen för vägg (vi rekommenderar skruvar med huvuddiameter 7–9 mm och längd 25 mm). Skruva i skruvarna så att de sticker ut lagom mycket för att montera laddaren på dem. Rikta in öppningarna på baksidan av laddaren mot skruvarna och haka på öppningarna på skruvarna.

### Anvisningar för rengöring av laddare



**VARNING:** Risk för elstöt. Koppla bort laddaren från vägguttaget före rengöring. Smuts och fett kan avlägsnas från laddarens utsida med en trasa eller en mjuk borste (ej metallborste). Använd inte vatten eller

rengöringsmedel. Försäkra dig om att det inte kommer in vätska i verktyget och doppa inte någon del av verktyget i vätska.

## Batteripaket


### Viktiga säkerhetsanvisningar för alla batteripaket


När du beställer ersättningsbatteripaket är det viktigt att du anger produktpreferens och spänning.

Batteripaketet levereras inte fulladdat. Läs säkerhetsanvisningarna nedan innan du använder batteripaketet och laddare. Följ därefter angivet laddningsförfarande.

### LÄS ALLA ANVISNINGAR

- **Ladda/ använd inte batteri i explosionsfarlig miljö, till exempel i närheten av brandfarliga vätskor, gaser eller damm.** Damm eller ångor kan antändas när batteriet sätts i eller tas ut ur laddaren.
- **Tvinga inte i batteripaketet i laddaren. Modifiera inte batteripaketet på något sätt för att det ska passa i en ej kompatibel laddare (batteripaketet kan gå sönder och orsaka allvarlig personskada).**
- Ladda batteripaketet endast i Trend-laddare.
- **UNDBIK** att stänka ned med eller sänka ned i vatten eller annan vätska.
- **Förvara eller använd inte verktyg och batteripaket på platser där temperaturen kan sjunka under 4 °C (till exempel i utomhusskjul eller metallbyggnader på vintern) eller som kommer upp i eller överstiger 40 °C (till exempel utomhusskjul eller metallbyggnader på sommaren).**
- **Elda inte upp batteripaketet – även om det är allvarligt skadat eller helt utslitet.** Batteripaketet kan explodera om det utsätts för eld. Giftiga ångor och material genereras när litiumjonbatteripaketet brinner.
- **Tvätta omedelbart hud som har kommit i kontakt med batterivätska med mild tvål och vatten.** Om du får batterivätska i ögon sköljer du i rikligt med vatten i 15 minuter eller tills irritationen upphör. Om du behöver läkarvård är det viktigt att du kan informera läkaren om vad batterielektrolyten består av: Den består av en blandning av flytande organiska karbonater och litiumsalter.
- **Innehållet i öppnade battericeller kan orsaka irritation i andningsvägar.** Uppsök frisk luft. Om symtomen kvarstår uppsöker du läkare.

 **WARNING: Risk för brännskada.** Batterivätska kan vara brandfarlig om den utsätts för gnista eller låga.

 **WARNING:** Försök inte öppna batteripaketet. Om batteripaketets hölje är sprucket eller skadat får du inte sätta i det i laddaren. Var försiktig så att du inte krossar, tappar eller skadar batteripaketet. Använd inte batteripaketet eller laddare som har utsatts för hårt slag, tappats, körts över eller skadats på något sätt (till exempel punkterats med en spik, utsatts för hammarslag eller trampats på). Om du gör det kan följden bli elstöt eller livsfarlig elektrisk stöt. Lämna in eventuellt skadat batteripaket till servicecenter för återvinning.

 **WARNING! Brandrisk. Förvara eller bär inte batteripaketet så att metallföremål kan komma i kontakt med exponerade batteripoler.** Placera till exempel inte batteripaketet i förkläde, fickor, verktygslåda, produktlåda, lådor eller liknande där det förvaras lösa spikar, skruvar, nycklar etc.

 **VAR FÖRSIKTIG:** När verktyget inte används placerar du det på sidan på en stabil yta där det inte kan utgöra en snubbel- eller fallrisk. Vissa verktyg med stora batteripaket står upprätt på batteripaketet, men kan lätt vältras om de stöts till.

## Batteridrift

### Laddningsstatus


Tryck på indikatorknapp för laddningsnivå (Fig. 2) för att visa batteriets återstående laddning. I Fig. 2a visas förhållandet mellan lysdiodindikering och återstående laddning.

**OBS:** Indikator för batteriets laddningsnivå visar endast en indikation om batteripaketets återstående laddning. Den indikerar inte verktygets funktion och kan variera beroende på produktkomponenter, temperatur och användarens tillämpning av det.

### Självladdning

Ett litiumbatteri kan självladdas och förlora sin laddning. Vanligtvis kan det förlora cirka 5 % av sin laddning under den första månaden efter fulladdning (när det förvaras i rumstemperatur) och sedan ytterligare 3 % per månad. Vid förvaring vid högre temperaturer ökar takten för självladdningen.

### Transport

 **WARNING: Brandrisk.** Vid transport av batterier kan brand uppkomma om batteripolerna råkar komma i kontakt med elektriskt ledande material. Försäkra dig vid transport av batterier om att batteripolerna är skyddade och säkert isolerade från material som kan komma i kontakt med dem och orsaka kortslutning.

**OBS!** Litiumjonbatterier får inte placeras i lastrumsbagage.

Trend-batterier uppfyller alla tillämpliga fraktbestämmelser enligt branschstandarder och rättspraxis inklusive FN:s rekommendationer om transport av farligt gods, IATA:s bestämmelser för transport av farligt gods, IMDG-bestämmelser (International Maritime Dangerous Goods) och den europeiska överenskommelsen om internationell transport av farligt gods på väg (ADR). Litiumjunceller och -batterier har testats enligt avsnitt 38.3 i FN:s testhandbok (Transport of Dangerous Goods Manual of Tests and Criteria). I de flesta fall förväntas frakt av Trend-batteripaket att undantas från klassificering fullt reglerad transport enligt klass 9. I allmänhet behöver endast leveranser som innehåller litiumjonbatterier med energiklassificering högre än 100 Wh (wattimmar) fraktas som fullt reglerad transport enligt klass 9.

Alla förpackningar med litiumjonbatterier märks med antal wattimmar (Wh). På grund av komplexa bestämmelser rekommenderar Trend att litiumjonbatteripaket inte flygfraktas ensamt, oberoende av dess wattimmar. Frakt av verktyg med batterier (kombinerade satser) kan flygfraktas som undantag om batteripaketets wattimmar inte överstiger 100 Wh.

Oavsett om en frakt betraktas som undantagen eller fullt reglerad är det avsändarens ansvar att kontrollera giltiga bestämmelser gällande förpackning, märkning och dokumentation.

Vi tillhandahåller informationen i detta avsnitt i handboken i god tro med övertygelsen att den är korrekt vid tidpunkten då dokumentet upprättades. Vi lämnar ingen garanti, varken uttrycklig eller underförstådd. Det är köparens ansvar att säkerställa att hans/hennes verksamhet följer gällande bestämmelser.

### Förvaringsrekommendationer

Rekommenderad förvaringsplats ska vara sval och torr, där det inte förekommer direkt solljus eller extrema temperaturer (mycket varmt eller kallt). Förvara batteripaket i rumstemperatur när de inte används (på så sätt säkerställs optimal prestanda och livslängd).

Vid långvarig förvaring rekommenderar vi att du förvarar fulladdat batteripaket på en sval och torr plats utanför laddaren (detta är optimala förhållanden för batteripaketet).

**OBS!** Batteripaket får inte förvaras helt urladdade. Batteripaketet måste laddas innan det används.

### Etiketter på laddare och batteripaket

Förutom de piktogram som används i denna handbok kan etiketter på laddare och batteripaket visa följande piktogram: -



Läs handboken före användning.



Se tekniska data för laddningstid.



Batteriladdning.



Batteri laddat.



Batteri defekt.



Fördröjd uppladdning (Batterikylning eller för kallt batteri)



Undersök inte med ledande föremål.



Ladda inte skadade batteripaket.



Exponera inte för vatten.



Byt ut defekta sladdar omedelbart.



Ladda endast i temperatur mellan 4 och 40 °C.



Avsett endast för inomhusbruk.



Li-Ion Kassera batteripaketet på ett miljövänligt sätt.



Elda inte upp batteripaketet.

### FÖRPACKNINGENS INNEHÅLL

- 1 x Överfräs
- 1 x Bottenplatta För Sänkenhet För Överfräs
- 1 x Glidplatta För Överfräs
- 1 x 1/4-Tumshylsa (6,35 Mm) Storbritannien, Europa (8 Mm)
- 1 x Sidoanslag För Sänkenhetens Bottenplatta
- 1 x Sidoanslag För Glidplatta
- 1 x Kona Och Stift För Inriktning
- 1 x Styrbuskning (16 mm)
- 1 x Skruvnyckel
- 1 x Damppip För Sänkenhetens Bottenplatta
- 1 x Dammpip För Glidplatta
- 1 x Slimline-Batteri (4 Ah) (Inte Modeller Endast Med Stomme)
- 1 x Laddare (6 A) (Inte Modeller Endast Med Stomme)
- 1 x Tåligt skydds fodral

**OBS!** Batteripaket, laddare och satsslådor ingår inte för modeller av typ B.

- Kontrollera om det finns skador på verktyget, delar eller tillbehör som kan ha inträffat under transport.

- Ta dig tid att noggrant läsa igenom och få koll på anvisningarna i den här handboken före användning.

## MÄRKEN PÅ VERKTYGET

Följande piktogram visas på verktyget:



Läs handboken före användning.



Använd hörselskydd.



Använd ögonskydd.



Använd handskydd.

## Datumkod position

Tillverkningsåret indikeras på märkplåten.

## BESKRIVNING AV DELAR - (Fig. 1)

- A. Start/stopp-knapp
- B. Låsknapp
- C. Hastighetsreglage
- D. Motorenhet
- E. Kuggstång på motorenhet
- F. Hylsa
- G. Tåligt skyddsfodral
- H. Spindellåsknapp
- I. Spindel
- J. Arbetsbelysning
- K. Batteriport
- L. Kolvlåsspak för sänkenhetens bottenplatta
- M. Sänkenhetens bottenplatta
- N. Vred för sidoanslag på sänkenhetens bottenplatta
- O. Revolverstopp på sänkenhetens bottenplatta
- P. Djupanslag på sänkenhetens bottenplatta
- Q. Mikrojusteringsratt för djupanslag
- R. Indikator för djupanslag
- S. Låsratt för djupanslag
- T. Skala för djupanslag
- U. Stomklämma på sänkenhetens bottenplatta
- V. Sidohandtag på sänkenhetens bottenplatta
- W. Sidoanslag för sänkenhetens bottenplatta
- X. Fästskruvar för sänkenhetens bottenplatta
- Y. Parallellanslag för sänkenhetens bottenplatta
- Z. Glidplatta
- AA. Klämma för glidplatta
- BB. Sidoanslag för glidplatta
- CC. Drev och vred för glidplatta
- DD. Fästskruvar för sidoanslag på glidplatta
- EE. Parallellanslag på glidplatta
- FF. Låsratt för parallellanslag på glidplatta
- GG. Centreringsstift (1/4 tum/8 mm) för styrbussning
- HH. Centreringskona för styrbussning
- II. Skruvnyckel för hylsmutter
- JJ. Styrbussning (16 mm)
- KK. Fästskruvar för styrbussning
- LL. Dampmpip i sänkenhetens bottenplatta

- MM. Dampmpip i glidplatta
- NN. Vred för dampmpip i glidplatta
- OO. Batteri (inte modeller med endast stomme)
- PP. Laddare (inte modeller med endast stomme)

## AVSEDD ANVÄNDNING

Denna sladdlösa överfräs är avsedd för medelhård överfräsning i trä, träprodukter och plast.

**ANVÄND INTE** under våta förhållanden eller i närheten av brandfarliga vätskor eller gaser.

**LÅT INTE** barn röra verktyget. Övervakning krävs när oerfarna användare använder det här verktyget.

- Små barn och svaga personer. Denna apparat är inte avsedd att användas av små barn eller svaga personer som inte övervakas.
- Denna produkt är inte avsedd att användas av personer (inklusive barn) som lider av nedsatt fysisk, sensorisk eller mental förmåga, bristande erfarenhet, kunskap eller färdigheter, såvida de inte övervakas av en person som ansvarar för deras säkerhet. Barn får aldrig lämnas ensamma med den här produkten.

## MONTERING OCH JUSTERING



**VARNING:** Risk för allvarlig personskada! Stäng av verktyget och koppla bort batteripaketet innan du utför någon justering eller borttagning/installation av tillbehör. Oavsiktlig start kan leda till personskada.



**VARNING:** Använd endast Trend-batteripaket och -laddare.

## Batteriets laddningsnivå (Fig. 2 – 2a)

Tryck på indikatorknapp för laddningsnivå för att visa batteriets återstående laddning

**OBS:** Indikator för batteriets laddningsnivå visar endast en indikation på batteripaketets återstående laddning. Den indikerar inte verktygets funktion och kan variera beroende på produktkomponenter, temperatur och användarens tillämpning av det.

## Sätta i och ta ut batteripaket från verktyg - (Fig. 3 – 3a)

**OBS:** Försäkra dig om att batteripaketet är fulladdat.

**OBS:** För att undvika allvarig personskada måste du alltid ta ut batteripaketet och hålla händerna borta från låsknappen när du bär eller transporterar verktyget.

Felaktig installation av batteripaket kan orsaka skador på interna komponenter.

### Sätta i batteripaket i verktyg

#### - (Fig. 3)

- Rikta in batteripaketet med skenorna på insidan av slipmaskinens batteriport.
- Sätt i batteripaketet i batteriporten tills det sitter ordentligt (försäkra dig om att du kan höra låset snäppa fast).

### Ta bort batteripaket från verktyg

#### - (Fig. 3a)

- Tryck på frigöringsknappen och dra ut batteripaketet ur batteriporten.
- Sätt i batteripaketet i laddaren enligt beskrivning i avsnitt om laddare i denna handbok.

### Sätt i motorenheten i sänkenhetens bottenplatta

#### - (Fig. 5 & 5b)

- Öppna låsreglage för sänkenhetens glidplatta (försäkra dig om att spindellåsknappen är vänd framåt). Sätt därefter i verktyget helt i sänkenhetens glidplatta samtidigt som du försäkras dig om att verktygets spår är inriktat med klacken på fotplattan.
- Stäng låsreglaget.
- Utför detta förfarande i omvänd ordning för att avlägsna fotplattan.

### Sätta i motorenhet i glidplatta

#### - (Fig. 5a)

- Öppna glidplattans låsreglage och sätt i verktyget i glidplattan så att motorns kuggstång riktas in med glidplattans drev.
- Trimbasdrevet går i ingrepp med kuggstången på motorn. Vrid trimknappen medurs för att sänka routern i basen och för att ställa in routerns höjd
- Fäst dammunstycket på glidplattan och dra åt med tumskraven.
- Utför detta förfarande i omvänd ordning för att avlägsna fotplattan.

 **VAR FÖRSIKTIG:** När du använder verktyget med glidplatta måste denna ha damppig installerad.

### Justera låsregelgets spännkraft

#### - (Fig. 5c):

- Öppna stommens klämma.

- Skruva på låsregelgets justerskruv lite åt gången (använd insexnyckel).
- När du skruvar skruven medurs dras reglaget åt, när du skruvar den moturs lossas reglaget.

### Montera överfräsens fräsverktyg

#### - (Fig. 6 – 6b)


- För in minst 3/4 av fräsens skaft (1) i hylsan.
- Tryck spindellåset tills överfräsens spindel är låst (du kan behöva vrida något på spindeln för att låset ska aktiveras).
- Dra åt hylsmuttern med skruvnyckeln. Använd inte överdriven kraft.

### Avlägsna fräsverktyg från överfräs - (Fig. 6 – 6b)

- Tryck spindellåset tills överfräsens spindel är låst.
- Lossa hylsmuttern med skruvnyckeln.
- Skruva på hylsmuttern med skruvnyckeln. Efter ett tag går hylsmuttern trögare att skruva, men fortsätt bara att skruva så lossnar den igen (detta är en felsäker mekanism för frigöring av hylsan).
- Nu ska fräsen glida ut ur hylsan.
- Varje gång du slutar använda en fräs ska du ta bort denna och förvara den på en säker plats.

 **WARNING:** Dra åt hylsan endast om det finns en fräs i den (den går sönder annars).

 **WARNING:** Använd endast fräsar med skaft som har samma diameter som hylsan.

 **WARNING:** Kör flera skär om mycket material ska avverkas.

 **VAR FÖRSIKTIG:** Försäkra dig alltid om att verktyget är avstängt och att batteriet är uttaget innan du utför något arbete på verktyget.

### Kolvlåsspak på sänkenhetens bottenplatta - (Fig. 7)

- Använd inte överdriven kraft för att dra åt låsreglaget. Om du använder för mycket kraft kan fotplattan skadas.
- Tryck reglaget nedåt för att låsa.
- När låsreglaget är fastspänt ska motorn inte röra sig i fotplattan.

- Om låsreglaget inte spänner fast utan att dras åt med överdriven kraft eller om motorn rör sig i fotplattan efter fastspänning måste låsreglaget justeras.

### **Justering av sidoanslag på sänkenhetens bottenplatta - (Fig. 8 – 8a)**



- Om du behöver justera, ändra eller byta ut en bottenplatta rekommenderar vi att du använder ett centreringsverktyg. Centreringsverktyget består av en kona och ett stift.

Följ stegen nedan för att justera sidoanslag.

- Montera styrbussningen på sidoanslaget.
- Lossa (ta inte bort) sidoanslagets skruvar så att sidoanslaget rör sig fritt.
- För in stiftet i hylsan och dra åt hylsmuttern.
- Sätt i motorenheten i fotplattan och spänn fast låsreglaget på fotplattan.
- Placera konan på stiftet och tryck försiktigt ned den tills den stoppar. Nu är bottenplattan centrerad.
- Dra åt bottenplattans skruvar samtidigt som du håller konan nedtryckt.
- Se Montera styrbussning på sänkenhetens bottenplatta och glidplattan (Fig. 12).

### **Centrera sidoanslag på glidplatta - (Fig. 9)**



- Om du behöver justera, ändra eller byta ut en bottenplatta rekommenderar vi att du använder ett centreringsverktyg. Centreringsverktyget består av en kona och ett stift.

Följ stegen nedan för att justera sidoanslag. Med eller utan styrbussning monterad.

- Lossa (ta inte bort) sidoanslagets skruvar så att sidoanslaget rör sig fritt.
- För in stiftet i hylsan och dra åt hylsmuttern.
- Sätt i motorenheten i fotplattan och spänn fast låsreglaget på fotplattan.
- Placera konan på stiftet och tryck försiktigt ned den tills den stoppar. Nu är bottenplattan centrerad.
- Dra åt bottenplattans skruvar samtidigt som du håller konan nedtryckt.
- Se Montera styrbussning på sänkenhetens bottenplatta och glidplattan (Fig. 12).

### **Installera och ta bort parallellanslag på sänkenhetens bottenplatta - (Fig. 10)**



Ett parallellanslag levereras tillsammans med monterade styrstag.

- Lossa tumvreden på sänkenhetens bottenplatta.
- För in parallellanslaget med stagen monterade i hålen i sänkenhetens bottenplatta.
- Dra åt tumvreden tillfälligt så att anslaget sitter i läge.
- För att ta bort parallellanslaget lossar du tumvreden och drar ut parallellanslaget från sänkenhetens bottenplatta.

### **Installera och ta bort parallellanslag på/från glidplatta - (Fig. 11 – 11a)**



- Montera den raka styrningen med skruven och sidostängslås.
- Fäst den raka styrningen på trimmerbasen med trimbasens parallella sidostängslås.

### **Montera styrbussningen på sänkenhetens bottenplatta och glidplattan - (Fig. 12)**



Styrbussningen möjliggör upprepad fräsning med mall.

- Placera styrbussningen i fördjupningen på undersidan av fotplattan och fäst den sedan med de två fästskruvarna.

### **Ställa in skärdjup på sänkenhetens bottenplatta - (Fig. 13 – 13c)**



- Positionera maskinen på arbetsstycket.
- Ställ in treläges revolverstopp enligt önskemål.
- Lossa tumvredet för att sätta fast djupanslaget.
- Lossa kolvflåsspaken.
- Sänk maskinen långsamt tills fräsen vidrör arbetsstycket och lås fast den med kolvflåsspaken.
- Djupanslaget har en indikator som kan användas för att ställa in skalan.
- Höj djupanslaget så att det motsvarar korrekt skärdjup på skalan och lås fast det med tumvredet. **Spalten mellan djupanslaget och revolverns stoppskruv är densamma som skärdjupet.**

Djupanslaget har mikrojustering.

- För finjustering av djup vrider du mikrojusteringsratten längst upp på djupanslaget.

- Vrid huvudet moturs för att öka djupet. Vrid huvudet medurs för att minska djupet. - 1 rotation = 1 mm

Skruvur för roterande revolverstopp kan användas för förinställning av upp till tre skärdjup. Höjden justeras med skruvmejsel och skruvnyckel (8 mm).

 **WARNING:** Byt inte revolverstoppet när överfräsen är igång. Dina händer kommer för nära fråshuvudet.

 **VAR FÖRSIKTIG:** Starta överfräsen innan du för in fråshuvudet i arbetsstycket.

**Justera skärdjup på glidplatta**   
- (Fig. 14)

- Justera skärdjupet genom att öppna låsreglaget och sedan flytta verktygets fotplatta upp eller ned genom att skruva på sidostängslås.
- Stäng låsreglaget ordentligt när justeringen är färdig.


**OBS:** Om verktyget inte sitter fast efter att låsreglaget har låsts drar du åt sexkantsmuttern och stänger låsreglaget igen.


**Fästpunkter för tillbehör**   
- (Fig. 15)

Överfräsen har två gängade hål (M6) i fotplattan för montering av tillbehör. De kan även användas för anslutning till överfräsbord.

## DRIFT



 **WARNING:** Följ alla säkerhetsanvisningar och tillämpliga bestämmelser.

 **WARNING:** Risk för allvarig personskada! Stäng av verktyget och koppla bort batteripaketet innan du utför någon justering eller borttagning/installation av tillbehör. Oavsiktlig start kan leda till personskada.

**Korrekt positionering av hand**   
- (Fig. 16 - 17)

 **WARNING:** Risk för allvarig personskada! Försäkra dig om att du **ALLTID** håller handen i korrekt position (se bild).

 **WARNING:** För att minska risken för allvarig personskada är det mycket viktigt att du **ALLTID** är beredd på att verktyget kan rycka till plötsligt.

- När du använder sänkenhetens bottenplatta ska du fatta ett stadigt grepp om sidohandtagen (se Fig. 16).
- När du använder den fasta fotplattan ska den ena handen vara placerad på batteriet och den andra handen runt den fasta fotplattan (se Fig. 17).


**Startknapp och låsknappar**   
- (Fig. 18)

- Tryck på låsknappen när du ska starta verktyget. Verktyget intar standby-läge.
- Starta verktyget genom att trycka på startknappen i standby-läge.
- Tryck på startknappen igen för att stoppa verktyget. Verktyget intar standby-läge.
- Om du vill stänga av verktyget trycker du på låsknappen i standby-läge.

**OBS:** Om verktyget lämnas 10 sekunder utan att användas i standby-läge stängs det av automatiskt och lampan släcks.

**OBS:** Du kan även stoppa och stänga av verktyget genom att trycka på låsknappen när verktyget används.

 **VAR FÖRSIKTIG:** Städa arbetsområdet så att det inte finns några främmande föremål där innan du startar verktyget. Håll verktyget med ett stadigt grepp så att du klarar av att hålla emot startmomentet.

 **VAR FÖRSIKTIG:** För att undvika personskada och/eller skada på arbetsstycke måste du vänta tills maskinen stannar helt innan du sätter ned verktyget

**Ratt för varvtalsreglering**   
- (Fig. 19)

Den hastighet med vilken fräsen matas in i träet får inte vara så snabb att motorns varvtal sjunker eller så långsam att fräsen lämnar brännmärken på träet. Öva på att bedöma hastigheten genom att lyssna på motorljudet vid fräsning

- Du ändrar verktygets varvtal genom att vrida på hastighetsreglaget. I tabellen nedan visas siffran på ratten och motsvarande varvtal.



**OBS:** Om verktyget används kontinuerligt på lågt varvtal under lång tid kommer motorn att bli överbelastad, vilket i sin tur leder till att verktyget inte fungerar korrekt.

**OBS:** För att ändra från '6' till '1' måste du vrida ratten medurs. Försök inte förcera ratten medurs.

**OBS:** Kör flera skär med litet skärdjup istället för ett skär med stort skärdjup.

### Tabell för val av varvtal

1	10,000 Min-1
2	14,000 Min-1
3	18,000 Min-1
4	22,000 Min-1
5	26,000 Min-1
6	30,000 Min-1


	1-24	30,000 (6)	
	24-30	22,000 (4)	
	30-38	18,000 (3)	

### Elektronisk funktion

Verktyget har elektroniska funktioner som underlättar användning.

- Konstant varvtalsreglering – funktionen för varvtalsreglering ger konstant varvtal oavsett den belastning verktyget utsätts för.
- Mjukstartsfunktion – mjukstartsfunktionen minimerar startmomentet och gör att verktyget startar smidigt.

### Matningsriktning - (Fig. 20)

 **WARNING:** Överfräsning ska alltid utföras i motsatt riktning till fräsens rotationsriktning (annars finns det risk för kast).

När du fräser längs en kant ska överfräsens rörelseriktning vara mot fräsens rotationsriktning. Detta genererar korrekt bearbetning och förhindrar att fräsen rycker till. Fräsen drar även överfräsen mot arbetsstycket och därmed är det mindre sannolikt att sidoanslaget eller styrlagret kommer att följa arbetsstyckets kant.

### Installera eller ta bort damppip på/från sänkenhetens bottenplatta - (Fig. 21)

- Håll i verktyget och sätt fast damppipen på sänkenhetens bottenplatta.
- Dra åt sidostängslås.
- Anslut till ett lämpligt dammsug genom att ansluta dammsugets dammslang med adapter på elverktyget.

- Ta bort damppipen från sänkenhetens bottenplatta genom att skruva loss sidostängslås och ta bort damppipen.

### Installera eller ta bort damppip på/från glidplatta - (Fig. 22)



- Håll i verktyget och fäst damppipen på glidplattan (försäkra dig om att stiftet positioneras i hålet).
- Dra åt ratt för glidplattans damppip (medurs).
- Anslut till ett lämpligt dammsug genom att ansluta dammsugets dammslang med adapter på elverktyget.
- För att avlägsna damppipen från glidplattan skruvar du ur ratten till glidplattans damppip (moturs) och avlägsnar därefter damppipen.

### Arbetsbelysning



 **VAR FÖRSIKTIG:** Titta inte direkt in i lampan.

- Tryck på låsknappen för att tända lampan. Tryck på låsknappen igen för att släcka lampan.

**OBSERVERA:** När verktyget är överhettat flimrar lampan. Kyl ned verktyget innan du använder det igen.

**OBS!** Använd en torr trasa för att torka bort smuts från lampans lens. Var försiktig så att du inte repar lampans lens (belysningen försämras om du gör det).

### Bearbetning med sänkenhetens bottenplatta försedd med självstyrande fräs - (Fig. 23)



- Tryck ned kolvens låsreglage och sänk överfräsen tills fräsen når inställt djup.
- Verktygets kullagerstyrning styr längs materialkanten.
- Kör skäret.
- Släpp kolvens låsreglage i slutet av skäret.
- Stäng av överfräsen.

### Fräsning med glidplatta installerad



- Placera verktygets fotplatta på arbetsstycket utan att fräsen kommer i kontakt med arbetsstycket. Starta verktyget och vänta tills fräsverktyget kommer upp i fullt varvtal. För verktyget framåt över arbetsstyckets yta. Håll verktygets fotplatta kant i kant när du flyttar verktyget.



- Försäkra dig om att arbetsstyckets yta är på vänster sida av fräsen i matningsriktningen när du fräser kanten

**OBS!** Innan du fräser i arbetsstycket rekommenderar vi att du utför ett test i annat arbetsstycke. Korrekt matningshastighet varierar beroende på fräsens storlek, typ av arbetsstycke och skärddjup. Om du flyttar verktyget framåt för snabbt kan följden bli dålig kvalitet för bearbetningen eller skada på fräs eller motor. Om du flyttar verktyget framåt för långsamt kan det bränna arbetsstycket och skada den yta som bearbetas.

**OBSERVERA:** Eftersom för stora skärddjup kan orsaka överbelastning av motorn eller svårigheter att kontrollera verktyget, bör skärddjupet inte vara mer än 3 mm vid spårfräsning. Om du vill fräsa spår som är djupare än 3 mm gör du detta i flera skär där du ökar skärddjupet efter hand.

**OBS!** För alltid överfräsen i motsatt riktning till fräsens rotationsriktning.

### Använda parallellanslag på sänkenhetens bottenplatta - (Fig. 24)

- Med sidoanslag installerat på sänkenhetens bottenplatta.
- Lossa rattarna för anslag på fotplatta och justera avståndet mellan fräsen och parallellanslaget. Dra åt anslagsrattar när du har ställt in önskat avstånd.
- Flytta verktyget med parallellanslaget kant i kant med arbetsstyckets sida.

**OBS!** För alltid överfräsen i motsatt riktning till fräsens rotationsriktning.

### Använda parallellanslag med glidplatta - (Fig. 25)

- Med sidoanslag installerat på glidplattan.
- Lossa sidostängslås på den raka styrningen och justera avståndet mellan fräsen och anslagsstyrningens raka sida. Dra åt sidostängslås när du har ställt in önskat avstånd.
- Flytta verktyget med parallellanslaget kant i kant med arbetsstyckets sida.

**OBS:** För alltid överfräsen i motsatt riktning till fräsens rotationsriktning.

### Använda styrbussning i sänkenhetens bottenplatta - (Fig. 26 - 26b)

- Välj en fräs med en diameter som kan passera genom mitten av styrbussningen med tillräckligt med utrymme kvar på alla sidor.
- Ställ in fräsens djup.

- Positionera styrbussningen mot mallen, starta maskinen och kör instickssågning till korrekt djup.
- Mata i den riktning som visas.
- Släpp upp kolven och stäng av maskinen när skäret är färdigt.

**OBS:** För alltid överfräsen i motsatt riktning till fräsens rotationsriktning.

 **VAR FÖRSIKTIG:** Starta överfräsen innan du för in fråshuvudet i arbetsstycket.

### Använda styrbussning i glidplatta - (Fig. 27)


- Välj en fräs med en diameter som kan passera genom mitten av styrbussningen med tillräckligt med utrymme kvar på alla sidor.
- Ställ in fräsens djup.
- Positionera styrbussningen mot mallen och starta maskinen.
- Mata i den riktning som visas.
- Stäng av maskinen när skäret är färdigt.

**OBS!** För alltid överfräsen i motsatt riktning till fräsens rotationsriktning.

### UNDERHÅLL

Använd endast originalreservdelar och -tillbehör från Trend.

Elverktyget har utformats så att det ska kunna användas under en lång tidsperiod med minimalt underhåll. Verktyget måste hanteras korrekt och rengöras regelbundet för att fungera felfritt.

 **WARNING:** Risk för allvarlig personskada! Stäng av verktyget och koppla bort batteripaketet innan du utför någon justering eller borttagning/installation av tillbehör. Oavsiktligt start kan leda till personskada.

Laddaren och batteripaketet går inte att serva.

Undvik att använda lösningsmedel vid rengöring av plastdelar. De flesta plaster skadas lätt av olika typer av kommersiella lösningsmedel. Använd rena trasor för att ta bort smuts, damm, olja, fett etc.

 **WARNING:** Försäkra dig om att bromsvätska, bensin, petroleumbaserade produkter, penetrerande olja etc. inte kan komma i kontakt med plastdelar. Kemikalier kan skada, försvaga eller förstöra plast och orsaka allvarlig personskada.

Elverktyg som används på glasfibermaterial, träfiberskiva, spackel eller gips slits snabbare och kan

utsätts för förtida fel på grund av spån och damm från glasfiber som är mycket skadliga för lager, borstar, kommutatorer etc. Därför rekommenderar vi att detta verktyg inte används för långvarigt arbete på dessa typer av material. Om du arbetar med något av dessa material är det hur som helst mycket viktigt att du rengör verktyget med tryckluft.

## Smörjning

- Elverktyget behöver ingen ytterligare smörjning.

## Rengöring



**WARNING:** Blås bort smuts och damm från maskinkroppen med torr tryckluft, så fort du ser att smuts ansamlas i och runt ventilationsöppningarna. Använd godkänt ögonskydd och godkänd dammask under detta förfarande.



**WARNING:** Använd inte lösningsmedel eller andra starka kemikalier vid rengöring av verktygets icke-metalliska delar. Dessa kemikalier kan försvaga materialen i dessa delar. Använd endast trasa fuktad med vatten och mild såpa. Försäkra dig om att det inte kommer in vätska i verktyget och doppa inte någon del av verktyget i vätska.

## Förvaring

- Lägg tillbaka verktyget i dess förpackning efter varje användning.

## MILJÖSKYDD



Återvinn råmaterial istället för att kassera det som avfall. Sortera tillbehör och förpackningar för miljövänlig återvinning.

Separat insamling. Produkten får inte kasseras tillsammans med vanligt hushållsavfall.

## Batterier och miljö



I denna enhet används litiumjonbatterier (Li-jon). Vi rekommenderar att du följer nedanstående anvisningar vid byte av batteripaket: Töm

**Li-Ion** batterier på energi genom att köra maskinen tills batteriet är helt slut. Ta därefter ut det från verktyget.

Litiumjonceller kan återvinnas, så kasta inte litiumjonbatteri i hushållsavfall. Om du gör det kan de hamna i en soptippsanläggning eller på en soptipp, vilket måste undvikas.

Ta istället med batterier till Trends serviceagent, din lokala Trend-återförsäljare eller en lokal återvinningsstation. Kontakta vid behov kommunen och be om information om avfallshantering. Insamlade

batterier kasseras på korrekt sätt och/eller används för återvinning.

## Hushållsanvändare

Lokala bestämmelser kan föreskriva separat insamling av elektriska produkter från hushåll, vid kommunala avfallsanläggningar eller av återförsäljaren när du köper en ny produkt. Ring Trends kundtjänst om du vill ha råd om hur du kasserar Trend-produkter på ett miljövänligt sätt eller besök [www.trend-uk.com](http://www.trend-uk.com)

## Företagsanvändare

Ring Trends kundtjänst för kassering av elektriska Trend-produkter.

## GARANTI

Enheten har en tillverkargaranti i enlighet med villkor på bifogat garantikort.

För information om din närmaste Trend-serviceagent, kontakta Trends kundtjänst eller se vår lista över återförsäljare på [www.trend-uk.com](http://www.trend-uk.com)





**Trend Tool Technology Ltd.**

Watford, WD24 7TR, England

**Tel: 0044(0)1923 249911**

**technical@trendm.co.uk**

**www.trend-uk.com**

**EU Importer:**

**Trend Tool Technology Ltd.**

3rd Floor, Kilmore House, Park Lane, Spencer Dock,

Dublin 1, Ireland



RECYCLABLE

© Trend Tool Technology Ltd. 2021.

© All trademarks acknowledged E&OE

No part of this publication may be reproduced, stored or transmitted in any form without prior permission. Our policy of continuous improvement means that specifications may change without notice. Trend Tool Technology Ltd. cannot be held liable for any material rendered unusable, or for any for of consequential loss. E&OE.

