



T18S/CH6A/E, T18S/CH6A, T18S/BA2A, T18S/BA4AM, T18S/BA5A

EN Original Instructions	P.5
DE Übersetzung Der Originalanleitung	P.13
FR Traduction Des Instructions Originales	P.21
NL Vertaling Van De Originele Instructies	P.29
SE Översättning Av De Ursprungliga Instruktionerna	P.37



Fig. 1

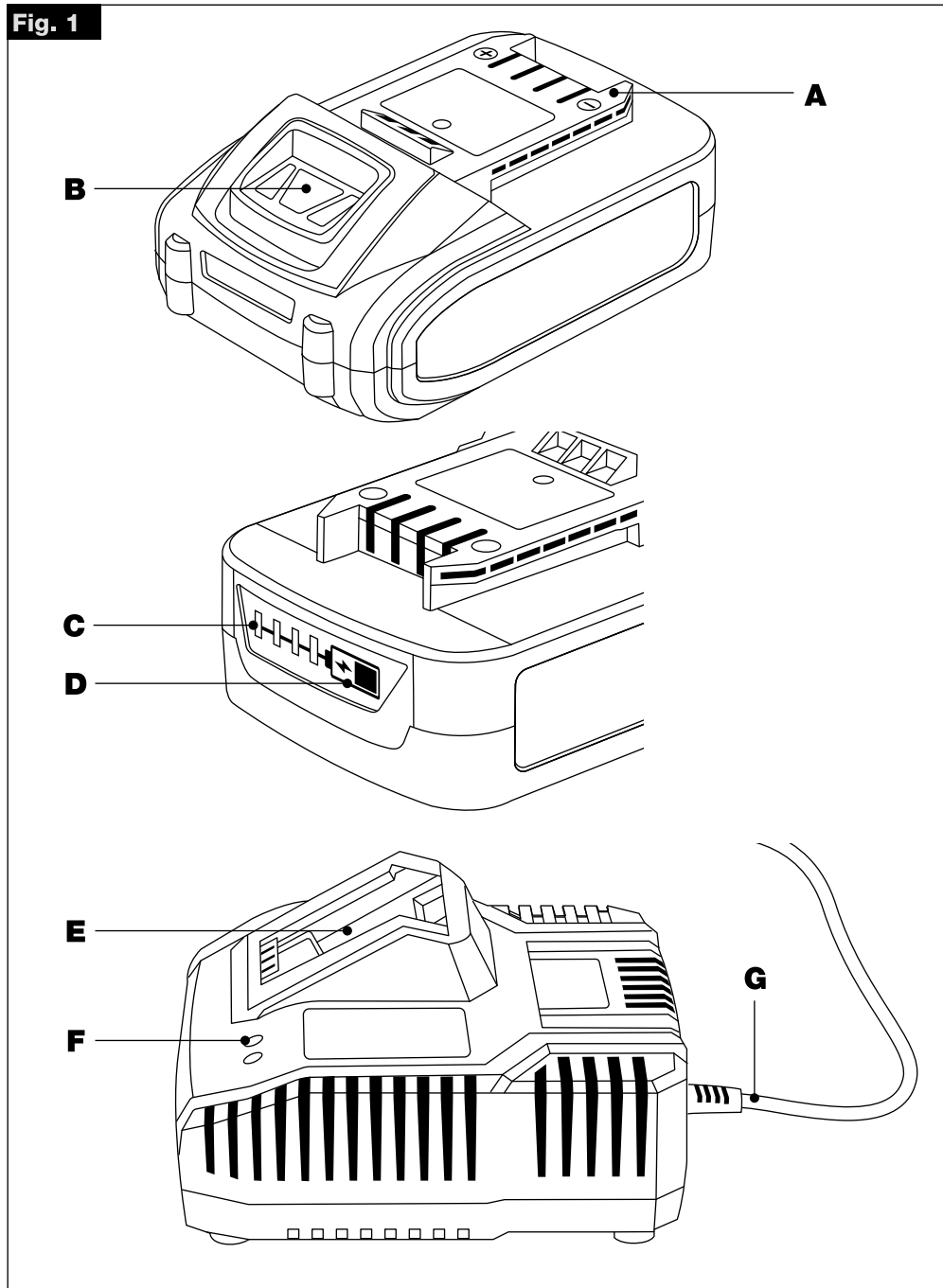


Fig. 2

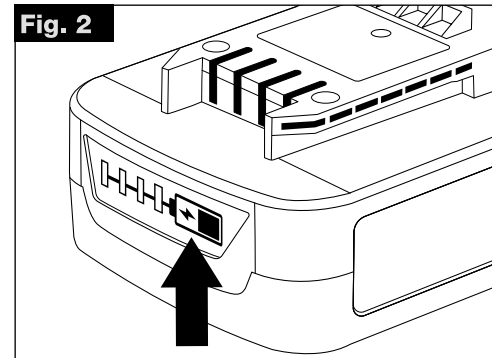


Fig. 2a

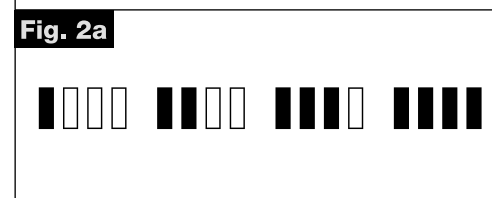


Fig. 3

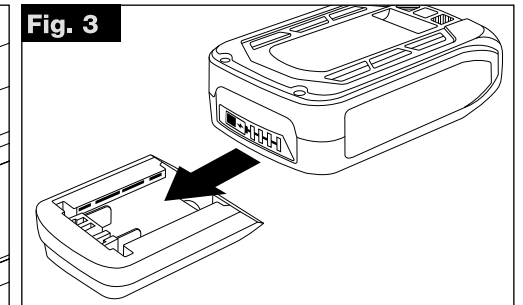


Fig. 3a

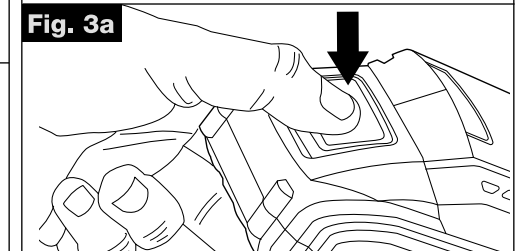


Fig. 4

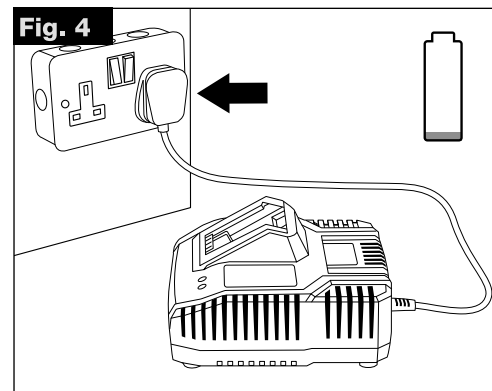


Fig. 4a

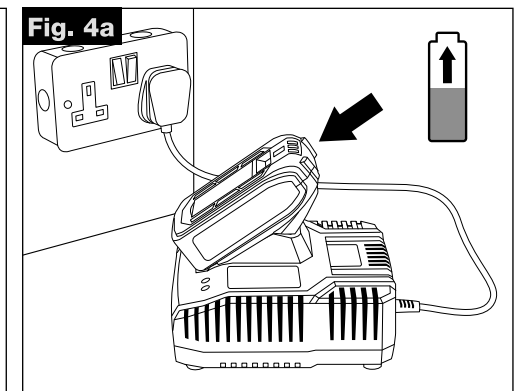


Fig. 4b

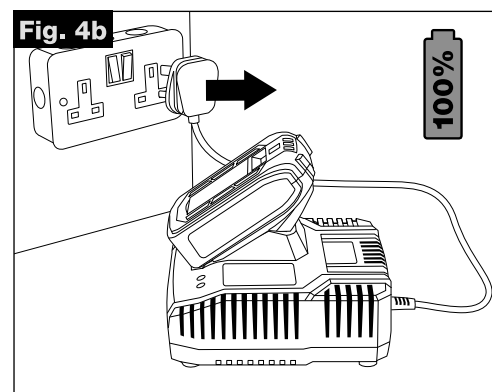


Fig. 4c

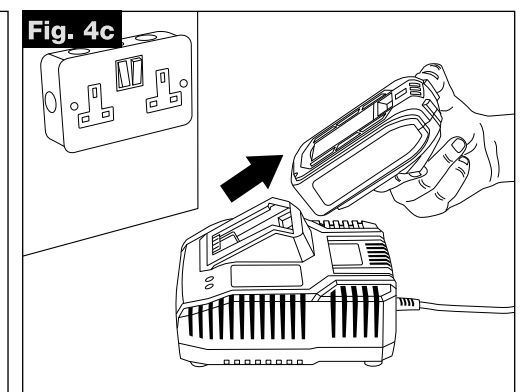
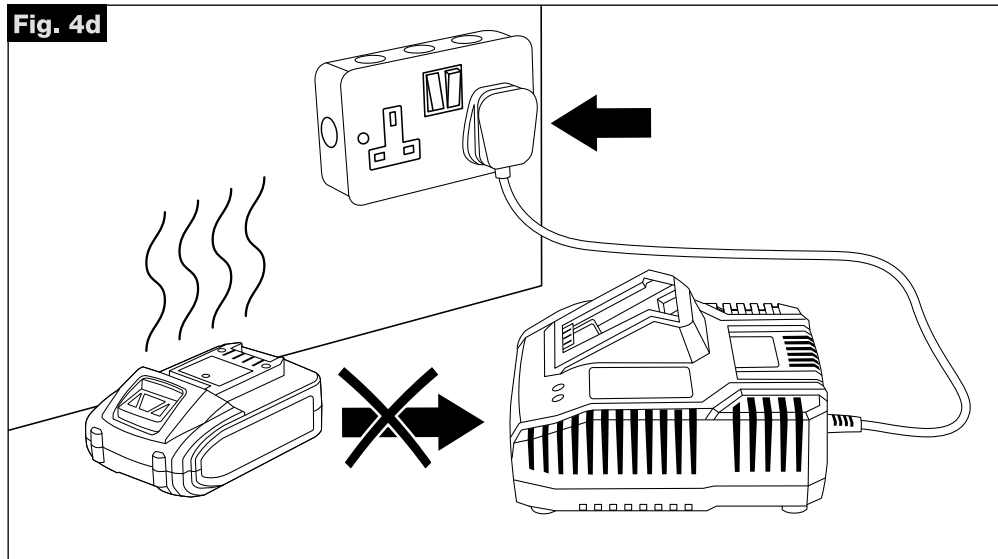


Fig. 4d



**EN - T18S/CH6A,
T18S/CH6A/E, T18S/
BA2A, T18S/BA4AM,
T18S/BA5A**

Thank you for purchasing this Trend product, we hope you enjoy many years of creative and productive use.

Please remember to return your guarantee card within 28 days of purchase.

TECHNICAL DATA

Battery		
Battery type		Li-Ion
Battery voltage	VDC	18
Battery capacity T18S/BA2A	Ah	2
Battery capacity T18S/BA4AM	Ah	4
Battery capacity T18S/BA5A	Ah	5
Weight T18S/BA2A	kg	0.39
Weight T18S/BA4AM	kg	0.54
Weight T18S/BA5A	kg	0.67
Charger T18S/CH6A	kg	0.91
Charger T18S/CH6A/E	kg	0.86
Charger input voltage	V	220 - 240
Charger mains frequency	Hz	50/60
Charger mains wattage	W	150
Charger output voltage	VDC	21
Charger output current	A	6
Charge time T18S/BA2A*	min	32
Charge time T18S/BA4AM*	min	48
Charge time T18S/BA5A*	min	54
* charging time applies only to the battery with a capacity listed in table		

Fuses		
UK & Eire	240 V tools	3 Amperes, in plugs
Europe	230 V tools	10 Amperes, mains

**EC DECLARATION OF CONFORMITY
ELECTROMAGNETIC COMPATIBILITY
DIRECTIVE**



18V CHARGER 6A

**T18S/CH6A
T18S/CH6A/E**

18V BATTERY

**T18S/BA2A - 2Ah
T18S/BA4AM - 4Ah
T18S/BA5A - 5Ah**

Trend hereby declares that these batteries are in compliance with the essential requirements and other relevant provisions of EU Battery Directive 2006/66/EC, and has been designed in accordance with EN 62133-2:2017, EN 62841-1:2015.

Trend declares that the product described under Technical Data are in compliance with: 2014/35/EU, EN 60335-1:2012+A11+A13+A14+A2, EN 60335-2-29:2004+A2+A11, EN 62233:2008.

This product also complies with Directives 2014/30/EU and 2011/65/EU.

For more information please contact Trend at the following address or refer to back of manual. The undersigned make this declaration on behalf of Trend Tool Technology Ltd.

Neil McMillan
Technical Director

Trend Tool Technology Ltd,
Odhams Trading Estate,
Watford, WD24 7TR,
England
01/08/2021

Technical File Contact
Trend Tool Technology Ltd,
3rd Floor, Kilmore House,
Park Lane, Spencer Dock,
Dublin 1, Ireland

**UK UK DECLARATION OF
CA CONFORMITY**

The undersigned, representing the following manufacturer

Manufacturer:

Trend Tool Technology Ltd, Watford, England WD24 7TR declares that the product(s):

Product Identification:

Product: 18V Charger 6A
Brand: Trend
Model: T18S/CH6A
Model: T18S/CH6A/E

Product: 18V Battery
Brand: Trend
Model: T18S/BA2A – 2Ah
Model: T18S/BA4AM – 4Ah
Model: T18S/BA5A – 5Ah

Conforms to the following UK Regulations

- Batteries and Accumulators (Placing on the Market) (Amendment) Regulations 2015, S.I. 2008/2164
- Electrical Equipment (Safety) Regulation 2016, S.I. 2016/1101 (as amended).
- Electromagnetic Compatibility Regulations, 2016, S.I. 2016/1901 (as amended).
- The Restriction of the Use of Certain Hazardous Substances in Electrical and Electronic Equipment Regulations 2012, S.I. 2012/3032 (as amended),

and the following Designated Standards:

S.I. 2008/2164: EN 62133-2:2017
EN 62841/1:2015

UK S.I. 2016 No. 1101
BS EN 60335-1:2012+A11+A13+A14+A2,
BS EN 60335-2-29:2004+A2+A11,
BS EN 62233:2008

The undersigned is responsible for compilation of the technical file and makes this declaration on behalf of Trend Tool Technology Ltd.



Neil McMillan
Technical Director

Trend Tool Technology Ltd,
Odhams Trading Estate,
Watford, WD24 7TR,
England

01/08/2021



WARNING: To reduce the risk of injury, read the instruction manual.

Definitions: Safety Guidelines

The definitions below describe the level of severity for each signal word. Please read the manual and pay attention to these symbols.



DANGER: Indicates an imminently hazardous situation which, if not avoided, **will** result in **death or serious injury**.



WARNING: Indicates a potentially hazardous situation which, if not avoided, **could** result in **death or serious injury**.



CAUTION: Indicates a potentially hazardous situation which, if not avoided, **may** result in **minor or moderate injury**.



NOTICE: Indicates a practice **not related to personal injury** which, if not avoided, **may** result in **property damage**.



Denotes risk of electric shock.



Denotes risk of fire.



SAFETY WARNINGS



WARNING: Read all safety warnings, instructions, illustrations and specifications provided with this power tool. Failure to follow all instructions listed below may result in electric shock, fire and/or serious injury.

SAVE ALL WARNINGS AND INSTRUCTIONS FOR FUTURE REFERENCE



Important Safety Instructions for All Battery Chargers

- Before using charger, read all instructions and cautionary markings on charger, battery pack, and product using battery pack.



WARNING: Shock hazard. Do not allow any liquid to get inside charger. Electric shock may result.



WARNING: We recommend the use of a residual current device with a residual current rating of 30mA or less.



CAUTION: Burn hazard. To reduce the risk of injury, charge only Trend rechargeable batteries. Other types of batteries may burst causing personal injury and damage.



CAUTION: Children should be supervised to ensure that they do not play with the appliance.

NOTICE: Under certain conditions, with the charger plugged in to the power supply, the charger can be shorted by foreign material. Foreign materials of a conductive nature such as, but not limited to, grinding dust, metal chips, steel wool, aluminum foil, or any buildup of metallic particles should be kept away from charger cavities. Always unplug the charger from the power supply when there is no battery pack in the cavity. Unplug charger before attempting to clean.

- **Young children and the infirm.** This appliance is not intended for use by young children or infirm persons without supervision.

- This product is not intended for use by persons (including children) suffering from diminished physical, sensory or mental abilities, or for lack of experience and/or for want of knowledge or skills unless they are supervised by a person responsible for their safety. Children should never be left alone to play with this product.

- **DO NOT attempt to charge the battery pack with any chargers other than the ones in this manual.** The charger and battery pack are specifically designed to work together.

- **These chargers are not intended for any uses other than charging Trend rechargeable batteries.** Any other uses may result in risk of fire, electric shock or electrocution.

- **Do not expose charger to rain or snow.**

- **Pull by plug rather than cord when disconnecting charger.** This will reduce risk of damage to electric plug and cord.

- **Make sure that cord is located so that it will not be stepped on, tripped over, or otherwise subjected to damage or stress.**

- **Do not use an extension cord unless it is absolutely necessary.** Use of improper extension cord could result in risk of fire, electric shock, or electrocution

- **Do not place any object on top of charger or place the charger on a soft surface that might block the ventilation slots and result in excessive internal heat.** Place the charger in a position away from any heat source. The charger is ventilated through slots in the top and the bottom of the housing.
- **Do not operate charger with damaged cord or plug** — have them replaced immediately.
- **Do not operate charger if it has received a sharp blow, been dropped, or otherwise damaged in any way.** Take it to an authorised service centre.
- **Do not disassemble charger; take it to an authorised service centre when service or repair is required.** Incorrect reassembly may result in a risk of electric shock, electrocution or fire.
- In case of damaged power supply cord the supply cord must be replaced immediately by the manufacturer, its service agent or similar qualified person to prevent any hazard.
- **Disconnect the charger from the outlet before attempting any cleaning. This will reduce the risk of electric shock.** Removing the battery pack will not reduce this risk.
- **NEVER** attempt to connect 2 chargers together.
- **The charger is designed to operate on standard 230V household electrical power. Do not attempt to use it on any other voltage.** This does not apply to the vehicular charger.
- **Take care to ensure that the charger is standing in a steady, secure position.** A falling battery or charger may present a risk of injury to yourself and/or others.



WARNING:

To reduce the risk of electric shock. Do not expose to rain. Store indoors.

If the supply cord is damaged, it must be replaced by the manufacturer, its service agent or similarly qualified persons in order to avoid a hazard.

This appliance can be used by children aged from 8 years and above and persons with reduced physical, sensory or mental capabilities or lack of experience and knowledge if they have been given supervision or instruction concerning use of the appliance in a safe way and understand the hazards involved. Children shall not play with the appliance. Cleaning and user maintenance shall not be made by children without supervision.

The plug must be removed from the socket-outlet before cleaning or maintaining the appliance.

RESIDUAL RISKS

In spite of the application of the relevant safety regulations and the implementation of safety devices, certain residual risks cannot be avoided. These are:

- Impairment of hearing.
- Risk of personal injury due to flying particles.
- Risk of burns due to accessories becoming hot during operation.
- Risk of personal injury due to prolonged use.

SAVE THESE INSTRUCTIONS



Electrical Safety

The electric motor has been designed for one voltage only. Always check that the battery pack voltage corresponds to the voltage on the rating plate. Also make sure that the voltage of your charger corresponds to that of your mains.



Your Trend charger is double insulated in accordance with EN60335; therefore no earth wire is required.

If the supply cord is damaged, it must be replaced by a specially prepared cord available through the Trend service organisation.

Mains Plug Replacement (U.K. & Ireland Only)

If a new mains plug needs to be fitted:

- Safely dispose of the old plug.
- Connect the brown lead to the live terminal in the plug.
- Connect the blue lead to the neutral terminal.



WARNING: No connection is to be made to the earth terminal. Follow the fitting instructions supplied with good quality plugs. Recommended fuse: 3 A.

Using an Extension Cable

An extension cord should not be used unless absolutely necessary. Use an approved extension cable suitable for the power input of your charger (see **Technical Data**). The minimum conductor size is 1 mm²; the maximum length is 30 m. When using a cable reel, always unwind the cable completely.

Chargers

Trend chargers require no adjustment and are designed to be as easy as possible to operate.

The T18S/CH6A charger accepts 18V Li-Ion Trend battery packs (T18S/BA2A, T18S/BA4AM and T18S/BA5A).



WARNING: Only charge in compatible 18V chargers. Use of other chargers may result in fire, damage or serious personal injury.

Cooling System

The charger is equipped with an internal fan designed to cool the charger. Never operate the charger if the fan does not operate properly or if ventilation slots are blocked. Do not permit foreign objects to enter the interior of the charger.

Hot/cold Pack Delay

When the charger detects a battery pack that is too hot or too cold, it automatically starts a Hot/Cold Pack Delay, suspending charging until the battery pack has reached an appropriate temperature. The charger then automatically switches to the pack charging mode. This feature ensures maximum battery pack life.

Electronic Protection system

Trend Li-Ion tools are designed with an Electronic Protection System that will protect the battery pack against overloading, overheating or deep discharge.

The tool will automatically turn off if the Electronic Protection System engages.

Battery Charging Indoors

This charger is designed to be used indoors. We do not recommend that it is used inside your home. Ideally batteries should be charged on a bench in a workshop, garage or shed. If the charging operation is to be carried out in your home the area must be well ventilated and the charger must be placed on a non combustible surface ensuring that the ventilation slots are not blocked

Wall Mounting

These chargers are designed to be wall mountable or to sit upright on a table or work surface. If wall mounting, locate the charger within reach of an electrical outlet, and away from a corner or other obstructions which may impede air flow. Use the back of the charger as a template for the location of the mounting screws on the wall. Mount the charger securely using suitable fixings depending on wall type, a head diameter of 7 – 9mm and length of 25mm is recommended. Leave a suitable length of the screw exposed to allow the charger to be fitted. Align the slots on the back of the charger with the exposed screws and fully engage them in the slots.

Battery Packs 

Important Safety Instructions for All Battery Packs

When ordering replacement battery packs, be sure to include product reference and voltage.

The battery pack is not fully charged out of the carton. Before using the battery pack and charger, read the safety instructions below. Then follow charging procedures outlined.

READ ALL INSTRUCTIONS

- **Do not charge or use battery in explosive atmospheres, such as in the presence of flammable liquids, gases or dust.** Inserting or removing the battery from the charger may ignite the dust or fumes.
- **Never force battery pack into charger. Do not modify battery pack in any way to fit into a non-compatible charger as battery pack may rupture causing serious personal injury.**
- Charge the battery packs only in Trend chargers.
- **DO NOT** splash or immerse in water or other liquids.
- **Do not store or use the tool and battery pack in locations where the temperature may fall below 4°C (34°F) (such as outside sheds or metal buildings in winter), or reach or exceed 40°C (104°F) (such as outside sheds or metal buildings in summer).**
- **Do not incinerate the battery pack even if it is severely damaged or is completely worn out.** The battery pack can explode in a fire. Toxic fumes and materials are created when lithium-ion battery packs are burned.
- **If battery contents come into contact with the skin, immediately wash area with mild soap and water.** If battery liquid gets into the eye, rinse water over the open eye for 15 minutes or until irritation ceases. If medical attention is needed, the battery electrolyte is composed of a mixture of liquid organic carbonates and lithium salts.
- **Contents of opened battery cells may cause respiratory irritation.** Provide fresh air. If symptoms persists, seek medical attention.



WARNING: Burn hazard. Battery liquid may be flammable if exposed to spark or flame.



WARNING: Never attempt to open the battery pack for any reason. If battery pack case is cracked or damaged, do not insert into charger. Do not crush, drop or damage battery pack. Do not use a battery pack or charger that has received a sharp blow, been dropped, run over or damaged in any way (i.e., pierced with a nail, hit with a hammer, stepped on). Electric shock or electrocution may result. Damaged battery packs should be returned to service centre for recycling.



WARNING: Fire hazard. Do not store or carry the battery pack so that metal objects can contact exposed battery terminals. For example, do not place the battery pack in aprons, pockets, tool boxes, product kit boxes, drawers, etc., with loose nails, screws, keys, etc.



CAUTION: When not in use, place tool on its side on a stable surface where it will not cause a tripping or falling hazard. Some tools with large battery packs will stand upright on the battery pack but may be easily knocked over.

Transportation



WARNING: Fire hazard. Transporting batteries can possibly cause fire if the battery terminals inadvertently come in contact with conductive materials. When transporting batteries, make sure that the battery terminals are protected and well insulated from materials that could contact them and cause a short circuit.

NOTE: Lithium-ion batteries should not be put in checked baggage.

Trend batteries comply with all applicable shipping regulations as prescribed by industry and legal standards which include UN Recommendations on the Transport of Dangerous Goods; International Air Transport Association (IATA) Dangerous Goods Regulations, International Maritime Dangerous Goods (IMDG) Regulations, and the European Agreement Concerning The International Carriage of Dangerous Goods by Road (ADR). Lithium-ion cells and batteries have been tested to section 38.3 of the UN Recommendations on the Transport of Dangerous Goods Manual of Tests and Criteria.

In most instances, shipping a Trend battery pack will be excepted from being classified as a fully regulated Class 9 Hazardous Material. In general, only shipments containing a lithium-ion battery with an energy rating greater than 100 Watt Hours (Wh) will require being shipped as fully regulated Class 9.

All lithium-ion batteries have the Watt Hour rating marked on the pack. Furthermore, due to regulation complexities, Trend does not recommend air shipping lithium-ion battery packs alone regardless of Watt Hour rating. Shipments of tools with batteries (combo kits) can be air shipped as excepted if the Watt Hour rating of the battery pack is no greater than 100 Whr.

Regardless of whether a shipment is considered excepted or fully regulated, it is the shipper's responsibility to consult the latest regulations for packaging, labelling/marketing and documentation requirements.

The information provided in this section of the manual is provided in good faith and believed to be accurate

at the time the document was created. However, no warranty, expressed or implied, is given. It is the buyer's responsibility to ensure that its activities comply with the applicable regulations.

Storage Recommendations

The best storage place is one that is cool and dry away from direct sunlight and excess heat or cold. For optimum battery performance and life, store battery packs at room temperature when not in use.

For long storage, it is recommended to store a fully charged battery pack in a cool, dry place out of the charger for optimal results.

NOTE: Battery packs should not be stored completely depleted of charge. The battery pack will need to be recharged before use.

Labels on Charger and Battery Pack

In addition to the pictographs used in this manual, the labels on the charger and the battery pack may show the following pictographs: -



Read instruction manual before use.



See Technical Data for charging time.



Battery charging.



Battery charged.



Battery defective.



Delay charge (Battery cooling or too cold battery).



Do not probe with conductive objects.



Do not charge damaged battery packs.



Do not expose to water.



Have defective cords replaced immediately.



Charge only between 4°C and 40°C.



Only for indoor use.



Li-Ion Discard the battery pack with due care for the environment.



Do not incinerate the battery pack.

ITEMS ENCLOSED

- 1 x Battery charger
- 1 x Instruction manual

NOTE: Battery packs, chargers and kit boxes are not included with B models.

- Check for damage to the tool, parts or accessories which may have occurred during transport.
- Take the time to thoroughly read and understand this manual prior to operation.

Date Code Position

The year of manufacture is on the rating plate.

DESCRIPTION OF PARTS - (Fig. 1)

- A. Battery rails
- B. Battery release button
- C. Battery charge level indicator
- D. Battery charge level indicator button
- E. Charger battery port
- F. Charger indication lights
- G. Mains plug

INTENDED USE

The Trend T18S/CH6A charger is designed for charging 18V Li-Ion Trend Battery Packs, T18S/BA2A, T18S/BA4AM and T18S/BA5A.

DO NOT use under wet conditions or in the presence of flammable liquids or gases.

DO NOT let children come into contact with the tool. Supervision is required when inexperienced operators use this tool.

- **Young children and the infirm.** This appliance is not intended for use by young children or infirm persons without supervision.
- This product is not intended for use by persons (including children) suffering from diminished physical, sensory or mental abilities; lack of experience, knowledge or skills unless they are supervised by a person responsible for their safety. Children should never be left alone with this product.
- Only use rechargeable batteries with this charger.

Battery Type	Voltage	Cell	Capacity
T18S/BA2A	18	5 x Li-Ion	2.0 Ah
T18S/BA4AM	18	5 x Li-Ion	4.0 Ah
T18S/BA5A	18	10 x Li-Ion	5.0 Ah

OPERATION



Battery Charge Status - (Fig. 2 - 2a)

To display the amount of charge left in the battery, press the charge level indicator button, (Fig.2). Fig. 2a shows the relation between the LED indication and charge left.

NOTE: The battery charge level indicator is only an indication of the charge left on the battery pack. It does not indicate tool functionality and is subject to variation based on product components, temperature and end-user application.

Self-Discharge

A lithium battery can self-discharge and lose its stored charge. Typically it can lose approximately 5% of its charge in the first month after fully charging (when stored at room temperature), and then loses it by a further 3% per month. When stored at higher temperatures the self-discharge rate will be accelerated.

Charging a Battery and Operation - (Fig. 4 - 4d)

- The battery pack for this tool has been shipped in a low charge condition to prevent possible problems. Therefore, you should charge it until the green LED on the front right hand side of the charger comes on.
- **NOTE:** Batteries will not reach full charge the first time they are charged. Allow several cycles (operation followed by recharging) for them to become fully charged.
- First read the safety instructions then follow the charging instructions.
- Plug the charger into a standard 230V~50Hz mains socket outlet, the green LED on the front left hand side of the charger will illuminate.
- Do not allow the cable to become knotted or kinked.
- Place the battery pack into the charger base. (Note the battery has raised ribs which allows it to fit into the charger only one way). Time the charge 32, 48, 54 minutes only.
- The red LED on the front right hand side of the charger will illuminate to indicate charging is in progress. A green LED will illuminate when the battery is fully charged.
- Unplug the charger when not in use and store it in a suitable storage cabinet.
- Avoid charging your battery in freezing conditions as charging power will not be sufficient.
- When charging more than one battery pack in succession allow at least 30 minutes for the charger to cool down before charging an additional battery.
- Always remove the battery pack and store it safely when the tool is not in use.



CAUTION: If at any point during the charging process none of the LEDs are lit, remove the battery pack from the charger to avoid damaging the product. DO NOT insert another battery.

Inserting and Removing the Battery Pack from the Tool - (Fig. 3 & 3a)

NOTE: Make sure your battery pack is fully charged.

NOTE: To avoid serious personal injury, always remove the battery pack and keep hands clear of the lock button when carrying or transporting the tool.

Improper installation of the battery pack can cause damage to internal components.

Inserting the Battery Pack into the Tool - (Fig. 3)

- Align the battery pack with the rails inside the sander's battery port.
- Slide it into the battery port until the battery pack is firmly seated and ensure that you hear the lock snap into place.

Removing the Battery Pack from the Tool - (Fig. 3a)

- Press the release button and firmly pull the battery pack out of the battery port.
- Insert battery pack into the charger as described in the charger section of this manual.

MAINTENANCE

Please use only Trend original spare parts and accessories.

The power tool has been designed to operate over a long period of time with a minimum of maintenance. Continuous satisfactory operation depends upon proper tool care and regular cleaning.



WARNING: To reduce the risk of serious personal injury, turn tool off and disconnect battery pack before making any adjustments or removing/ installing attachments or accessories. An accidental start-up can cause injury.

The charger and battery pack are not serviceable. Do not attempt to repair the charger.

Lubrication

- Your power tool requires no additional lubrication.

Charger & Battery Cleaning Instructions

WARNING: Shock hazard. Disconnect the charger from the AC outlet before cleaning. Dirt and grease may be removed from the exterior of the charger using a cloth or soft non-metallic brush. Do not use water or any cleaning solutions. Never let any liquid get inside the tool; never immerse any part of the tool into a liquid.

Storage

- After use return the tool to its packaging.

ENVIRONMENTAL PROTECTION

Recycle raw materials instead of disposing as waste.
Accessories and packaging should be sorted for environmental-friendly recycling.

Separate collection. This product must not be disposed of with normal household waste.

Batteries and the Environment

This unit uses Lithium Ion (Li-Ion) batteries. When battery pack needs replacing, we recommend the following: Discharge the energy from the batteries by running them down completely and then remove from the tool.

Li-Ion cells are recyclable so do not throw them away with household waste. They may end up in an incinerator or landfill, which must be avoided.

Instead, take the batteries to a Trend Service Agent, your local Trend Stockist or a local recycling station. If necessary contact your local municipality for disposal information. The collected batteries will be disposed of properly and/or used for recycling purposes.

Household User

Local regulations may provide for separate collection of electrical products from the household, at municipal waste sites or by retailer when you purchase a new product. Please call Trend Customer Services for advice as to how to dispose of unwanted Trend electrical products in an environmentally safe way or visit www.trend-uk.com

Business Users

Please call Trend Customer Services for disposal of unwanted Trend electrical products.

GUARANTEE

The unit carries a manufacturers guarantee in accordance with the conditions on the enclosed guarantee card.

For the location of your nearest Trend Service Agent, please call Trend Customer Services or see our stockist locator at www.trend-uk.com

DE – T18S/CH6A, T18S/CH6A/E, T18S/BA2A, T18S/BA4AM, T18S/BA5A

Vielen Dank für den Kauf dieses Trend-Produkts. Wir hoffen, Sie werden das Produkt viele Jahre kreativ und produktiv nutzen.

Bitte schicken Sie die Garantiekarte innerhalb von 28 Tagen nach Kauf des Produkts zurück.

TECHNISCHE DATEN

Batterie		
Batterietyp		Li-Ion
Batteriespannung	VDC	18
Batteriekapazität T18S/BA2A	Ah	2
Batteriekapazität T18S/BA4AM	Ah	4
Batteriekapazität T18S/BA5A	Ah	5
Gewicht T18S/BA2A	kg	0.39
Gewicht T18S/BA4AM	kg	0.54
Gewicht:T18S/BA5A	kg	0.67
Ladegerät T18S/CH6A	kg	0.91
Ladegerät T18S/CH6A/E	kg	0.86
Ladegerät Eingangsspannung	V	220 - 240
Ladegerät Netzfrequenz	Hz	50/60
Netzleistung des Ladegeräts	W	150
Ladegerät Ausgangsspannung	VDC	21
Ladegerät Ausgangsstrom	A	6
Ladezeit T18S/BA2A*	Min	32
Ladezeit T18S/BA4AM	Min	48
Ladezeit T18S/BA5A	Min	54
* Ladezeit bezieht sich nur auf eine Batterie, deren Kapazität in der Tabelle aufgelistet ist		

Fuses		
UK & Eire	240 V tools	3 Amperes, in plugs
Europe	230 V tools	10 Amperes, mains

CE-KONFORMITÄTSERKLÄRUNG ELEKTROMAGNETISCH KOMPATIBILITÄTSRICHTLINIE



18V LADEGERÄT 6A

**T18S/CH6A
T18S/CH6A/E**

18V BATTERIE

**T18S/BA2A – 2Ah
T18S/ BA4AM und 4Ah
T18S/ BA5A und 5Ah**

Trend erklärt hiermit, dass diese Batterien allen wesentlichen Anforderungen und anderen relevanten Bestimmungen der EU Richtlinie für Batterien 2006/66/EC entsprechen und in Übereinstimmung mit EN 62133-2:2017 entwickelt wurden EN 62841-1:2015.

Trend erklärt, dass das unter Technische Daten beschriebene Produkt den folgenden Bestimmungen entspricht: 2014/35/EU, EN 60335-1:2012+A11+A13+A14+A15+A2, EN 60335-2-29:2004+A2+A11, EN 62233:2008.

Dieses Produkt entspricht auch den Richtlinien 2014/30/EU und 2011/65/EU.

Weitere Informationen erhalten Sie bei Trend unter der folgenden Adresse oder auf der Rückseite der Betriebsanleitung. Die Unterzeichner geben diese Erklärung im Namen von Trend Tool Technology Ltd ab.

Neil McMillan

Neil McMillan
Technical Director

Trend Tool Technology Ltd,
Odhams Trading Estate,
Watford, WD24 7TR,
England
01/08/2021

**Ansprechpartner
Technische Datei**
Trend Tool Technology Ltd,
3rd Floor, Kilmore House,
Park Lane, Spencer Dock,
Dublin 1, Ireland



WARNUNG: Um Verletzungen zu vermeiden, lesen Sie die Betriebsanleitung.

Definitionen: Sicherheitsrichtlinien

Die folgenden Definitionen beschreiben den Schweregrad für jedes Signalwort. Bitte lesen Sie die Betriebsanleitung und achten Sie auf diese Symbole.



GEFAHR: Weist auf eine potenziell gefährliche Situation hin, die, wenn sie nicht vermieden wird, **zum Tod oder zu schweren Verletzungen führt**.



WARNUNG: Weist auf eine potenziell gefährliche Situation hin, die, wenn sie nicht vermieden wird, **zum Tod oder zu schweren Verletzungen führen kann**.



VORSICHT: Weist auf eine potenziell gefährliche Situation hin, die, wenn sie nicht vermieden wird, zu **leichten oder mittelschweren Verletzungen führen kann**.



ANMERKUNG: Weist auf eine Praxis hin, die sich nicht auf **Personenschäden** bezieht und die, wenn sie nicht vermieden wird, zu **Sachschäden** führen kann.



Weist auf das Risiko eines Stromschlags hin.



Weist auf eine Brandgefahr hin.



SICHERHEITSWARNUNGEN



WARNUNG: Lesen Sie alle mit diesem Elektrowerkzeug mitgelieferten Sicherheitshinweise, Anweisungen, technischen Daten und schauen Sie sich die Abbildungen an. Die Nichtbeachtung aller unten aufgeführten Anweisungen kann zu Stromschlag, Feuer und/oder schweren Verletzungen führen.

BEWAHREN SIE ALLE WARNHINWEISE UND ANWEISUNGEN ZUM SPÄTEREN NACHSCHLAGEN AUF



Wichtige Safety Sicherheitsanweisungen für alle Batterieladegeräte

- Lesen Sie alle Anweisungen und Warnzeichen am Ladegerät, der Batterie und dem Produkt, in dem die Batterie verwendet wird.



WARNUNG: Gefahr durch Stromschlag. Vermeiden Sie das Eindringen von Flüssigkeit in das Ladegerät. Ein Stromschlag kann die Folge sein.



WARNUNG: Wir empfehlen die Verwendung eines Fehlerstromschutzschalters mit einer Reststromrate von 30 mA oder weniger.



VORSICHT: Gefahr durch Verbrennung. Um die Verletzungsgefahr zu verringern, laden Sie nur wiederaufladbare Batterien von Trend. Andere Batterietypen können platzen, was Verletzungen und Beschädigung zur Folge hat.



VORSICHT: Es sollte sichergestellt werden, dass Kinder nicht mit dem Gerät spielen.

HINWEIS: Das Ladegerät kann unter bestimmten Umständen durch Fremdkörper kurzgeschlossen werden, während es an die Stromquelle angeschlossen ist. Leitende Fremdkörper wie Schleifstaub, Metallsplitter, Stahlwolle, Aluminiumfolie und jede Ansammlung von Metallpartikeln sowie andere leitende Fremdkörper sollten vom Ladegerät ferngehalten werden. Trennen Sie immer das Ladegerät von der Stromquelle, wenn sich keine Batterie im Batteriefach befindet. Stecken Sie das Ladegerät aus, bevor Sie es reinigen.

- **Kleine Kinder und Gebrechliche.** Diese Vorrichtung ist nicht zur Verwendung durch Kinder und gebrechliche Personen ohne Aufsicht bestimmt.
- Dieses Produkt ist nicht zur Verwendung durch Personen (einschließlich Kinder) bestimmt, die unter verminderten körperlichen, sensorischen oder geistigen Fähigkeiten leiden oder denen es an Erfahrung, Wissen oder Fähigkeiten fehlt, es sei denn, sie werden von einer für ihre Sicherheit verantwortlichen Person beaufsichtigt. Kinder sollten mit diesem Produkt niemals allein gelassen werden.
- **Versuchen Sie NICHT, die Batterie mit einem anderen Ladegerät als dem in dieser Gebrauchsanweisung genannten zu laden.** Die Batterie und das Ladegerät sind speziell aufeinander abgestimmt.
- **Diese Ladegeräte sind nur zum Laden von Trend wiederaufladbaren Batterien vorgesehen.** Jede andere Verwendung beinhaltet das Risiko einer

Brandgefahr, eines Stromschlags oder Tod durch Stromschlag.

- **Setzen Sie das Ladegerät niemals Regen oder Schnee aus.**
- **Ziehen Sie am Stecker und nicht am Kabel, wenn Sie das Ladegerät von der Stromquelle trennen.** Dadurch vermeiden Sie eine Beschädigung des Steckers und des Kabels.
- **Stellen Sie sicher, dass niemand auf das Kabel treten oder darüber stolpern kann und dass das Kabel nicht beschädigt oder belastet wird.**
- **Verwenden Sie nur dann ein Verlängerungskabel, wenn es unbedingt nötig ist.** Die Verwendung eines ungeeigneten Kabels kann das Risiko einer Brandgefahr, eines Stromschlags oder Tod durch Stromschlag zur Folge haben.
- **Stellen oder legen Sie keine Gegenstände auf die Oberfläche des Ladegeräts und stellen Sie das Ladegerät nicht auf einem nachgiebigen Untergrund auf, wodurch die Lüftungsschlitze verdeckt werden können und was übermäßige Hitze im Innern des Ladegeräts auslösen kann.** Stellen Sie das Ladegerät nicht in der Nähe einer Wärmequelle auf. Das Ladegerät wird durch Schlitze an der Ober- und der Unterseite belüftet.
- **Betreiben Sie das Ladegerät nicht mit beschädigtem Kabel oder Stecker** — Lassen Sie beschädigte Teile sofort ersetzen.
- **Benutzen Sie das Ladegerät nicht, wenn es fallen gelassen wurde, einen Stoß erhalten hat oder sonst wie beschädigt wurde.** Bringen Sie es zu einem autorisierten Reparaturdienst.
- **Demontieren Sie das Ladegerät nicht selbst; bringen Sie es zur Reparatur oder zur Wartung zu einem autorisierten Reparaturdienst.** Falscher Zusammenbau kann das Risiko einer Brandgefahr, eines Stromschlags oder Tod durch Stromschlag zur Folge haben.
- Ein defektes Netzkabel muss sofort durch den Hersteller, seinen Servicedienst oder eine ähnlich qualifizierte Person ersetzt werden, um eine Gefährdung zu vermeiden.
- **Trennen Sie das Ladegerät vom Stromnetz, bevor Sie es reinigen. Das reduziert das Risiko eines Stromschlags.** Das Entfernen der Batterie reduziert das Risiko nicht.
- **Versuchen Sie NIEMALS 2 Ladegeräte miteinander zu verbinden.**
- **Das Ladegerät ist für den Betrieb an einem üblichen Stromnetz mit 230 V vorgesehen.** Versuchen Sie nicht, es mit einer anderen Spannung zu betreiben. Dies bezieht sich nicht auf das Fahrzeugladegerät.
- **Stellen Sie sicher, dass das Ladegerät an einem sicheren und stabilen Platz steht.** Eine herunterfallende Batterie kann Sie selbst und/oder andere verletzen.



WARNUNG:

Um das Risiko eines Stromschlags zu verhindern: Nicht Regen aussetzen. In geschlossenen Räumen aufbewahren.

Wenn das Netzkabel beschädigt ist, muss es vom Hersteller, seinem Servicetechniker oder ähnlich qualifizierten Personen ausgetauscht werden, um eine Gefahr zu vermeiden.

Dieses Gerät kann von Kindern ab 8 Jahren und Personen mit eingeschränkter körperlicher, sensorischer oder geistiger Leistungsfähigkeit oder mangelnder Erfahrung bzw. fehlendem Wissen benutzt werden, wenn sie das Gerät unter Aufsicht oder eine Anweisung zur sicheren Verwendung des Geräts erhalten haben und die damit verbundenen Gefahren verstehen. Kinder dürfen nicht mit dem Gerät spielen. Reinigung und Wartung durch den Benutzer dürfen nicht von Kindern ohne Aufsicht durchgeführt werden.

Bevor das Gerät gereinigt oder gewartet wird, muss der Netzstecker des Gerätes aus der Steckdose entfernt werden.

RESTRISIKEN

Ungeachtet vom Befolgen der relevanten Sicherheitsrichtlinien und der Anwendung von Sicherheitsvorrichtungen können bestimmte Risiken nicht vermieden werden. Diese sind:

- Beeinträchtigung des Hörvermögens.
- Verletzungsrisiko durch fliegende Partikel.
- Verbrennungsrisiko durch erhitzte Teile während des Betriebs.
- Verletzungsgefahr durch dauerhaften Gebrauch..

BEWAHREN SIE DIESE ANWEISUNGEN AUF



Elektrische Sicherheit

Der Elektromotor ist nur für eine Spannung konzipiert. Stellen Sie sicher, dass die Batteriespannung immer der angegebenen Spannung auf dem Typenschild entspricht. Stellen Sie außerdem sicher, dass die Spannung des Ladegeräts der Spannung der Stromquelle entspricht.



Ihr Trend-Ladegerät ist gemäß EN60335 doppelt isoliert: deshalb ist kein Schutzleiter erforderlich.

Wenn das Versorgungskabel beschädigt ist, muss es durch ein speziell hergestelltes Kabel, erhältlich über die Trend-Serviceorganisation, ersetzt werden.

Ersatz des Hauptsteckers (nur Vereinigtes Königreich u. Irland)

Wenn ein neuer Hauptstecker eingebaut werden muss:

- Entfernen Sie vorsichtig den alten Stecker.
- Schließen Sie den braunen Draht an die stromführende Klemme im Stecker an.
- Schließen Sie den blauen Draht an die Nullleiterklemme an.

! WARNUNG: Anschluss der Erdungsklemme nicht erforderlich. Befolgen Sie die Montageanleitung, die bei qualitativ guten Steckern mitgeliefert wird. Empfohlene Sicherung: 3 A.

Verwendung eines Verlängerungskabels

Ein Verlängerungskabel sollte nur verwendet werden, wenn es unbedingt nötig ist. Verwenden Sie ein für die Eingangsleistung des Ladegeräts zugelassenes Verlängerungskabel (siehe Technische Daten). Minimaler Leiterquerschnitt ist 1 mm²: maximale Länge ist 30 m. Wenn Sie eine Kabeltrommel verwenden, wickeln Sie das Kabel immer vollständig ab.

Ladegeräte

Trend Ladegeräte benötigen keine Einstellung und sind so konzipiert, dass sie so einfach wie möglich zu bedienen sind.

Das T18S/CH6A Ladegerät arbeitet mit 18 V Li-Ion Trend-Batterien (T18S/BA2A, T18S/BA4AM and T18S/BA5A).

! VORSICHT: Wenn während eines Ladevorgangs keine LED leuchtet, entfernen Sie Batterie aus dem Ladegerät, um eine Beschädigung des Produkts zu vermeiden. Setzen Sie KEINE andere Batterie in das Ladegerät ein.

Kühlsystem

Das Ladegerät ist mit einem internen Ventilator zur Kühlung des Ladegerät ausgestattet. Betreiben Sie das Ladegerät niemals, wenn der Ventilator nicht einwandfrei arbeitet oder die Lüftungsschlitze verstopft sind. Verhindern Sie das Eindringen von Fremdkörpern in das Ladegerät.

Heiß/Kalt Batterie-Verzögerung

Stellt das Ladegerät fest, dass eine Batterie zu heiß oder zu kalt ist, wird automatisch die Heiß/Kalt Batterie-Verzögerung gestartet, die den Ladevorgang unterbricht, bis die Batterie wieder eine normale Temperatur erreicht. Das Ladegerät setzt dann den Ladevorgang automatisch fort. Diese Funktion stellt eine maximale Lebensdauer der Batterie sicher.

Elektronisches Schutzsystem

Trend Li-Ion Werkzeuge sind mit einem elektronischen Schutzsystem ausgestattet, das die Batterie vor Überladung, Überhitzung oder vollständiger Entladung schützt.

Das Werkzeug wird automatisch abgeschaltet, wenn sich das elektronische Schutzsystem einschaltet.

Laden von Batterien im Innenbereich

Dieses Ladegerät ist für den Betrieb im Innenbereich bestimmt. Wir empfehlen jedoch keinen Betrieb in Ihrer Wohnung. Idealerweise sollten Batterien auf einer Werkbank in einer Werkstatt, Garage oder Bauhütte geladen werden. Wenn Sie einen Ladevorgang in Ihrer Wohnung durchführen, dann sollte der Bereich gut belüftet sein, das Ladegerät auf einem nicht brennbaren Untergrund stehen und die Lüftungsschlitze sollten frei sein.

Wandmontage

Diese Ladegeräte sind dafür konstruiert, an einer Wand montiert zu werden oder aufrecht auf einem Tisch oder einer Arbeitsfläche zu stehen. Bei einer Wandmontage platzieren Sie das Ladegerät in Reichweite einer Steckdose und nicht in der Nähe einer Ecke oder anderen Behinderungen, die den Luftstrom erschweren. Benutzen Sie die Rückseite des Ladegeräts als Schablone, um die richtige Position der Montageschrauben an der Wand zu bestimmen. Montieren Sie das Ladegerät fest mit geeigneten Schrauben. Je nach Wandbeschaffenheit wird ein Durchmesser des Schraubenkopfes von 7 – 9mm und einer Schraubenlänge von 25mm empfohlen. Lassen Sie eine geeignete Länge der Schrauben sichtbar, um das Ladegerät einhängen zu können. Richten Sie die Schlitze auf der Rückseite des Ladegeräts an den Schrauben in der Wand aus und lassen sie das Gerät vollständig einrasten.

! Batterien

Wichtige Sicherheitsrichtlinien für alle Batterien

Bei der Bestellung von Ersatzbatterien geben Sie die Produktbezeichnung und Spannung an.

Die neue Batterie ist nicht vollständig geladen. Lesen Sie vor der Nutzung von Batterie und Ladegerät die unten stehenden Sicherheitsrichtlinien durch. Befolgen Sie dann die Beschreibungen des Ladevorgangs.

Lesen Sie alle Anweisungen sorgfältig durch

- **Laden oder betreiben Sie die Batterie nicht in explosionsgefährdeten Bereichen wie z. B. in Gegenwart von brennbaren Flüssigkeiten, Gasen oder Staub.** Bei Entnahme der Batterie aus dem Ladegerät oder Einsetzen der Batterie in das Ladegerät können Staub oder Gase entzündet werden.
- **Wenden Sie niemals Gewalt beim Einsetzen der Batterie in das Ladegerät an. Die Batterie darf in keiner Weise verändert werden, damit sie in ein**

nicht kompatibles Ladegerät passt. Die Batterie kann dabei reißen und Verletzungen zur Folge haben.

- Laden Sie die Batterien nur in Trend-Ladegeräten.
- Bespritzen Sie die Batterien **NIEMALS** oder tauchen sie in Wasser oder andere Flüssigkeiten.
- **Lagern Sie das Werkzeug und die Batterie nicht an Orten, an denen die Temperatur unter 4°C (34°F) (wie außen liegende Verschläge oder ein Metallbau im Winter) fallen kann oder wo die Temperatur 40°C (104°F) oder mehr erreichen kann (wie außen liegende Verschläge oder ein Metallbau im Sommer).**
- **Verbrennen Sie die Batterie niemals, auch wenn sie stark beschädigt oder total zerstört ist.** Die Batterie kann in Feuer explodieren. Es entstehen giftige Dämpfe und Stoffe, wenn Lithium-Ionen Batterien verbrannt werden.
- **Bei Hautkontakt mit Batterieflüssigkeit waschen Sie den betroffenen Bereich sofort mit milder Seife und Wasser ab.** Bei Augenkontakt mit Batterieflüssigkeit halten Sie das geöffnete Auge für 15 Minuten oder bis die Reizung nachlässt unter fließendem Wasser. Wird ärztliche Behandlung benötigt: die Elektrolytlösung besteht aus einer Mischung aus flüssigen organischen Karbonaten und Lithiumsalzen.
- **Inhalte einer offenen Batterie können Atemreizungen verursachen. Sorgen Sie für Frischluftzufuhr.** Wenn die Symptome andauern, begeben Sie sich in ärztliche Behandlung.

! WARNUNG: Gefahr durch Verbrennung. Batterieflüssigkeit kann brennbar sein, wenn sie Funken oder Flammen ausgesetzt wird.

! WARNUNG: Versuchen Sie auf gar keinen Fall, die Batterie aus irgendeinem Grund zu öffnen. Wenn die Batterie gerissen oder beschädigt ist, setzen Sie sie nicht in das Ladegerät ein. Sie sollten die Batterie nicht fallen lassen, quetschen oder beschädigen. Benutzen Sie die Batterie oder das Ladegerät nicht, wenn es einem starken Schlag ausgesetzt war, fallen gelassen wurde, überfahren wurde oder in einer anderen Art und Weise beschädigt wurde (z. B. mit einem Nagel durchstoßen, mit einem Hammer geschlagen oder wenn jemand auf die Gerätschaften getreten ist). Ein Stromschlag oder Tod durch Stromschlag können die Folge sein. Beschädigte Batterien sollten einem Servicecenter zur Wiederverwertung zurückgegeben werden.

! WARNUNG: Brandgefahr. Lagern oder tragen Sie die Batterie nur so, dass keine Metallteile mit den Batteriepolen in Kontakt kommen. Bringen Sie die Batterie z. B. nicht in Schürzen, Taschen, Werkzeugkästen, Boxen für

Werkzeugsätze, Schubladen etc., zusammen mit losen Nägeln, Schrauben, Schlüsseln etc. unter.

! VORSICHT: Platzieren Sie das Werkzeug auf seiner Seite auf einer stabilen Oberfläche so, dass niemand darüber stolpern oder das Werkzeug herunterfallen kann, wenn es nicht benutzt wird. Einige Werkzeuge mit großen Batterien können senkrecht auf der Batterie stehen, aber leicht umgestoßen werden.

Transport

! WARNUNG: Brandgefahr. Beim Transport von Batterien kann versehentlich Feuer entstehen, wenn die Batteriepole in Berührung mit leitenden Materialien kommen. Stellen Sie beim Transport von Batterien sicher, dass die Batteriepole geschützt und gut isoliert von Materialien sind, die mit ihnen in Berührung kommen und einen Kurzschluss verursachen können.

HINWEIS: Lithium-Ionen-Batterien sollten nicht in aufgegebenem Gepäck untergebracht werden.

Trend-Batterien entsprechen allen industriellen und gesetzlichen Transportvorschriften inklusive UN-Empfehlungen zum Transport von gefährlichen Gütern; Internationaler Luftverkehrsverband (IATA) Bestimmungen für gefährliche Güter, Internationale maritime Bestimmungen für gefährliche Güter (IMDG), und die Europäische Vereinbarung für die internationale Beförderung von gefährlichen Gütern auf dem Landweg (ADR). Lithium-Ionen-Zellen und Batterien sind gemäß Paragraph 38.3 des Handbuchs für Test und Maßstäbe der UN Empfehlungen zum Transport von gefährlichen Gütern getestet.

In den meisten Fällen wird der Transport einer Trend-Batterie von der Klassifizierung als vollständig geregeltes Klasse 9 gefährliches Gut ausgenommen. Allgemein ist nur beim Versand von Lithium-Ionen-Batterien mit einer Energiekennzahl größer 100 Wattstunden (Wh) eine Klassifizierung als vollständig geregeltes Klasse 9 gefährliches Gut erforderlich.

Die Wattstunden sind bei allen Lithium-Ionen-Batterien auf der Batterie gekennzeichnet. Außerdem empfiehlt Trend wegen komplexer Vorschriften nicht den Versand per Luftfracht von einzelnen Lithium-Ionen-Batterien unabhängig von der Energiekennzahl. Die Lieferung von Werkzeugen mit Batterien (Kombipaket) kann als Ausnahme per Luftfracht durchgeführt werden, wenn die Energiekennzahl der Batterie nicht größer 100 Wh ist.

Ungeachtet, ob eine Sendung als ausgenommen oder vollständig geregelt betrachtet wird, ist es die Verantwortung des Spediteurs, die gültigen Bestimmungen für Verpackung, Kennzeichnung und Dokumentation zu berücksichtigen.

Die Informationen in diesem Abschnitt der Gebrauchsanweisung werden in gutem Glauben über die Richtigkeit der Angaben zum Zeitpunkt der Erstellung des Dokuments zur Verfügung gestellt. Jedoch wird keinerlei Gewährleistung übernommen. Es liegt in der Verantwortung des Käufers, die entsprechenden Richtlinien zu befolgen.

Empfehlungen für die Lagerung

Der beste Platz für die Lagerung ist kühl und trocken, ohne direktem Sonnenlicht und keiner extremen Hitze oder Kälte ausgesetzt zu sein. Für optimale Leistung und Lebensdauer lagern Sie Batterien bei Raumtemperatur, wenn sie nicht in Betrieb sind.

Bei einer längeren Lagerzeit wird empfohlen, die Batterie vorher vollständig zu laden und an einem kühlen, trockenen Platz außerhalb des Ladegeräts zu lagern.

HINWEIS: Batterien sollten nicht komplett entladen gelagert werden. Vor dem Betrieb muss die Batterie wieder aufgeladen werden.

Aufkleber auf Ladegerät und Batterie

Zusätzlich zu den in dieser Gebrauchsanweisung verwendeten Abbildungen können auf Ladegerät und Batterie die folgenden Abbildungen vorkommen: -



Betriebsanleitung vor Gebrauch lesen.



Siehe Technische Daten bzgl. Wechselintervalle.



Batterie wird geladen.



Batterie ist geladen.



Batterie ist defekt.



Ladungsverzögerung (Akku ist abgekühlt oder zu kalt).



Keine Prüfung mit leitfähigen Objekten.



Beschädigte Batterien nicht laden.



Nicht Wasser aussetzen.



Defekte Kabel sofort austauschen lassen.



Laden nur bei Temperaturen zwischen 4°C und 40°C.



Nur für den Betrieb im Außenbereich.



Li-Ion Batterie umweltfreundlich entsorgen.



Batterie nicht verbrennen.

IM LIEFERUMFANG ENTHALTENE ARTIKEL

1 x Batterieladegerät
1 x Bedienungsanleitung

HINWEIS: B Modelle beinhalten keine Batterien und Ladegeräte.

- Prüfen Sie, ob das Werkzeug, die Teile oder das Zubehör während des Transports beschädigt wurden.
- Nehmen Sie sich die Zeit, diese Bedienungsanleitung vor der Inbetriebnahme gründlich zu lesen und zu verstehen.

Position Datumcode

Das Herstellungsjahr ist auf dem Typenschild angegeben.

BESCHREIBUNG DER TEILE - (Fig. 1)

- Batterie Schienen
- Batterie Freigabetaste
- Batterie Ladezustandsanzeige
- Batterie Schalter für die Ladezustandsanzeige
- Ladegerät Batteriefach
- Ladegerät Kontrollleuchten
- Netzstecker

VERWENDUNGSZWECK

Das Trend T18S/CH6A Ladegerät ist konzipiert für das Laden von 18V Li-Ion Trend Batterien, T18S/BA2A, T18S/BA4AM und T18S/BA5A.

NICHT unter nassen Bedingungen oder in der Nähe von brennbaren Flüssigkeiten oder Gasen verwenden.

Lassen Sie **NIE** Kinder mit diesem Werkzeug in Kontakt kommen. Beaufsichtigen Sie unerfahrene Bediener, wenn diese das Werkzeug verwenden.

- **Kleine Kinder und Gebrechliche.** Diese Vorrichtung ist nicht zur Verwendung durch Kinder und gebrechliche Personen ohne Aufsicht bestimmt.
- Dieses Produkt ist nicht zur Verwendung durch Personen (einschließlich Kinder) bestimmt, die unter verminderten körperlichen, sensorischen oder geistigen Fähigkeiten leiden oder denen es an Erfahrung, Wissen oder Fähigkeiten fehlt, es sei denn, sie werden von einer für ihre Sicherheit verantwortlichen Person beaufsichtigt. Kinder sollten mit diesem Produkt niemals allein gelassen werden.
- Verwenden Sie nur wiederaufladbare Batterien in diesem Ladegerät.

Batterietyp	Stromspannung	Zelle	Kapazität
T18S/BA2A	18	5 x Li-Ion	2.0 Ah
T18S/BA4AM	18	5 x Li-Ion	4.0 Ah
T18S/BA5A	18	10 x Li-Ion	5.0 Ah

OPERATION



Ladezustand der Batterie - (Fig. 2 - 2a)

Um die verbliebene Lademenge in der Batterie anzuzeigen, drücken Sie den Schalter für die Ladezustandsanzeige, (Abb. 2). Abb. 2a zeigt den Zusammenhang zwischen der LED Anzeige und der verbliebenen Lademenge.

HINWEIS: Die Ladezustandsanzeige ist nur ein Anhaltspunkt über die verbliebene Lademenge der Batterie. Sie gibt keinen Hinweis auf die Funktionalität des Werkzeugs und kann aufgrund von Bestandteilen des Produkts, Temperatur und der Nutzung des Endverbrauchers schwanken.

Selbstentladung

Eine Lithium Batterie kann sich selbst entladen und seine gespeicherte Ladung verlieren. Bei Lagerung unter Raumtemperatur kann sie normalerweise ungefähr 5 % ihrer Ladung im ersten Monat nach vollständiger Ladung und dann weitere 3 % pro Monat verlieren. Bei Lagerung unter höheren Temperaturen kann sich die Entladung beschleunigen.

Laden und Betrieb der Batterie (Fig. 4 - 4d)



- Die Batterie hat beim Versand nur eine niedrige Ladung, um mögliche Probleme zu vermeiden. Laden Sie deshalb die Batterie bis die grüne LED-Anzeige rechts auf der Vorderseite aufleuchtet.
- **HINWEIS:** Batterien werden beim ersten Mal nicht voll aufgeladen. Für eine vollständige Aufladung werden mehrere Zyklen (Betrieb mit anschließendem Aufladen) benötigt.
- Lesen Sie zuerst die Sicherheitsrichtlinien und dann die Ladeanleitung.
- Schließen Sie das Ladegerät an eine übliche 230 V~50Hz Netzsteckdose an, leuchtet die grüne LED links auf der Vorderseite auf.
- Stellen Sie sicher, dass das Kabel nicht verknotet oder geknickt wird.
- Setzen Sie die Batterie in die Ladestation ein. (Beachten Sie die ausgestellten Rippen an der Batterie, die ein Einsetzen auf nur ein mögliche Weise zulassen). Stellen Sie die Ladezeit nur auf 32, 48 oder 54 Minuten ein.

- Die rote LED rechts auf der Vorderseite zeigt an, dass der Ladevorgang läuft. Eine grüne LED leuchtet auf, wenn der Ladevorgang abgeschlossen ist.
- Trennen Sie das Ladegerät nach dem Betrieb vom Stromnetz und verwahren Sie es in einem geeigneten Lagerschrank auf.
- Vermeiden Sie es, Ihre Batterie bei Frost zu laden, weil die Ladeleistung dann nicht ausreicht.
- Wenn Sie mehrere Batterien nacheinander laden wollen, lassen Sie das Ladegerät nach einem Ladevorgang mindestens 30 Minuten abkühlen, bevor Sie die nächste Batterie laden.
- Entfernen Sie immer die Batterie aus dem Werkzeug und bewahren sie sicher auf, wenn es nicht in Betrieb ist.



VORSICHT: Wenn während eines Ladevorgangs keine LED leuchtet, entfernen Sie Batterie aus dem Ladegerät, um eine Beschädigung des Produkts zu vermeiden. Setzen Sie KEINE andere Batterie in das Ladegerät ein.

Einsetzen in das und Entfernen der Batterie aus dem Werkzeug - (Fig. 3 & 3a)



HINWEIS: Stellen Sie sicher, dass Ihre Batterie vollständig geladen ist.

HINWEIS: Um ernsthafte Verletzungen zu vermeiden, entfernen Sie die Batterie und berühren Sie nicht die Sperre, wenn Sie das Werkzeug tragen oder transportieren.

Falsches Einsetzen der Batterie kann innere Bauteile beschädigen.

Inserting the Battery Pack into the Tool - (Fig. 3)



- Align the battery pack with the rails inside the sander's battery port.
- Slide it into the battery port until the battery pack is firmly seated and ensure that you hear the lock snap into place.

Removing the Battery Pack from the Tool - (Fig. 3a)



- Press the release button and firmly pull the battery pack out of the battery port.
- Insert battery pack into the charger as described in the charger section of this manual.

INSTANDHALTUNG 

Bitte verwenden Sie nur Original-Ersatzteile und Zubehör von Trend.

Das Elektrowerkzeug ist so konzipiert, dass er über einen langen Zeitraum mit minimalem Wartungsaufwand verwendet werden kann. Ein dauerhaft zufriedenstellender Betrieb hängt von der richtigen Pflege und der regelmäßigen Reinigung ab.

! WARNUNG: Um Verletzungen zu vermeiden, schalten Sie das Werkzeug aus und entfernen Sie die Batterie, bevor Sie irgendwelche Einstellungen vornehmen oder Zubehörteile entfernen oder anbringen. Das Starten des Werkzeugs aus Versehen kann Verletzungen verursachen.

Das Ladegerät und die Batterie sind nicht zu warten. Versuchen Sie nicht, das Ladegerät zu reparieren.

Schmierung

- Ihr Elektrowerkzeug benötigt keine zusätzliche Schmierung.


Hinweise zur Reinigung von Ladegerät und Batterie

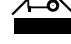
! WARNUNG: Gefahr durch Stromschlag. Trennen Sie das Ladegerät vom Stromnetz, bevor Sie es reinigen. Schmutz und Fett auf der Außenseite des Ladegeräts sollten mit einem Lappen oder einer weichen nichtmetallischen Bürste entfernt werden. Verwenden Sie kein Wasser oder Reinigungsflüssigkeit. Verhindern Sie das Eindringen von Flüssigkeiten in das Werkzeug und tauchen Sie es niemals in eine Flüssigkeit.

Lagerung

- Nach der Nutzung verwahren Sie das Werkzeug wieder in der Verpackung.


UMWELTSCHUTZ 

 Geben Sie Rohstoffe zur Wiederverwertung und entsorgen Sie sie nicht als Abfall.

 Zubehörteile und Verpackung sollten zur umweltfreundlichen Wiederverwertung aussortiert werden.

Getrennte Sammlung. Dieses Produkt darf nicht im normalen Haushaltsabfall entsorgt werden.

Batterien und die Umwelt 

 Dieses Gerät verwendet Lithium Ionen (Li-Ion) Batterien. Wenn Batterien ausgetauscht werden müssen, empfehlen wir folgendes: Entladen Sie die Batterien vollständig und entfernen Sie sie aus dem Werkzeug.

Li-Ionen-Zellen sind wiederverwertbar und dürfen nicht im Haushaltsabfall entsorgt werden. Es muss vermieden werden, dass sie in einer Müllverbrennungsanlage oder auf einer Mülldeponie enden.

Übergeben Sie die Batterien stattdessen einem Trend-Service Mitarbeiter, einem örtlichen Trend-Fachhändler oder einer örtlichen Wiederverwertungsanlage. Wenn nötig, kontaktieren Sie die örtliche Stadtverwaltung, um Informationen über die Entsorgung zu erhalten. Die gesammelten Batterien werden dann ordnungsgemäß entsorgt und/oder der Wiederverwertung zugeführt.

Private Nutzer

Lokale Verordnungen geben Auskunft über getrennte Entsorgung von elektrischen Haushaltsprodukten auf örtlichen Mülldeponien oder bei Einzelhändlern bei Kauf eines neuen Produkts. Bitte rufen Sie den Trend Kundenservice an, um sich über die umweltfreundliche und sichere Entsorgung von nicht mehr benötigten elektrischen Produkten von Trend beraten zu lassen oder besuchen Sie die Website www.trend-uk.com

Gewerbliche Nutzer

Bitte setzen Sie sich wegen der Entsorgung von nicht mehr benötigten elektrischen Produkten von Trend telefonisch mit dem Kundendienst in Verbindung.

GEWÄHRLEISTUNG

Das Gerät besitzt eine Herstellergarantie gemäß den Bedingungen auf der beiliegenden Garantiekarte.

Um den Standort Ihres nächsten Trend-Service Mitarbeiters zu erfahren, rufen Sie bitte den Trend-Kundenservice an oder kontaktieren Sie den nächsten Fachhändler unter www.trend-uk.com

FR – T18S/CH6A, T18S/CH6A/E, T18S/BA2A, T18S/BA4AM, T18S/BA5A

Merci d'avoir acheté ce produit Trend, nous espérons qu'il vous procurera de nombreuses années d'usage créatif et productif.

N'oubliez pas de renvoyer votre carte de garantie dans les 28 jours de votre achat.

CARACTÉRISTIQUES TECHNIQUES

Batterie		
Type de batterie		Li-Ion
Tension de batterie	VCC	18
Capacité de batterie T18S/BA2A	Ah	2
Capacité de batterie T18S/BA4AM	Ah	4
Capacité de batterie T18S/BA5A	Ah	5
Poids T18S/BA2A	kg	0.39
Poids T18S/BA4AM	kg	0.54
Poids T18S/BA5A	kg	0.67
Chargeur T18S/CH6A	kg	0.91
Chargeur T18S/CH6A/E	kg	0.86
Tension d'entrée du chargeur	V	220 - 240
Fréquence secteur du chargeur	Hz	50/60
Puissance secteur du chargeur	W	150
Tension de sortie du chargeur	VCC	21
Intensité de sortie du chargeur	A	6
Temps de charge T18S/BA2A*	min	32
Temps de charge T18S/BA4AM*	min	48
Temps de charge T18S/BA5A*	min	54
* le temps de charge ne s'applique qu'à la batterie dont la capacité est mentionnée dans le tableau		

Fusibles		
RU et Irlande	Outils 240 V	3 Ampères, dans les fiches
Europe	Outils 230 V	10 Ampères, sec-teur

DÉCLARATION DE CONFORMITÉ CE ÉLECTROMAGNÉTIQUE DIRECTIVE DE COMPATIBILITÉ



CHARGEUR 18V 6A T18S/CH6A T18S/CH6A/E

BATTERIE 18 V

T18S/BA2A – 2Ah T18S/BA4AM – 4Ah T18S/BA5A – 5Ah

Trend déclare par la présente que ces batteries sont conformes aux exigences essentielles et autres dispositions pertinentes de la Directive de l'EU 2006/66/CE relative aux piles et aux accumulateurs, et qu'elles ont été conçues conformément aux normes EN 62133-2:2017, EN 62841-1:2015.

Trend déclare que le produit décrit dans les données techniques est conforme à : 2014/35/EU, EN 60335-1:2012+A11+A13+A14+A2, EN 60335-2-29:2004+A2+A11, EN 62233:2008.

Ce produit est aussi conforme aux directives 2014/30/UE et 2011/65/UE.

Pour en savoir plus, contactez Trend à l'adresse suivante ou consultez la couverture du manuel. Le soussigné effectue cette déclaration pour le compte de Trend Tool Technology Ltd.



Neil McMillan
Technical Director

Trend Tool Technology Ltd,
Odhams Trading Estate,
Watford, WD24 7TR,
England
01/08/2021

Technical File Contact
Trend Tool Technology Ltd,
3rd Floor, Kilmore House,
Park Lane, Spencer Dock,
Dublin 1, Irlande



AVERTISSEMENT: Pour réduire le risque de blessure, lisez le manuel d'instructions

Définitions: Directives de sécurité

Les définitions ci-dessous décrivent le niveau de gravité de chaque terme d'avertissement. Veuillez lire le manuel et prêter attention à ces symboles.



DANGER: Signale une situation de danger imminent qui, si elle n'est pas évitée, conduira à des blessures graves voire mortelles.



AVERTISSEMENT: Signale une situation potentiellement dangereuse qui, si elle n'est pas évitée, pourrait conduire à des blessures graves voire mortelles



ATTENTION: Signale une situation potentiellement dangereuse qui, si elle n'est pas évitée, peut conduire à des blessures mineures ou modérées.



AVIS: Signale une pratique non associée à des blessures qui, si elle n'est pas évitée, peut conduire à des dommages matériels.



Signale un risque d'électrocution.



Signale un risque d'incendie.



AVERTISSEMENTS DE SÉCURITÉ



AVERTISSEMENT: Lisez tous les avertissements, ainsi que toutes les instructions, illustrations et spécifications fournis avec cet outil électrique. Le non-respect de toutes les instructions mentionnées ci-dessous peut conduire à un choc électrique, à un incendie et/ou à des blessures graves.

CONSERVEZ TOUS LES AVERTISSEMENTS ET TOUTES LES INSTRUCTIONS POUR RÉFÉRENCE ULTÉRIEURE

Instructions de sécurité

importantes pour tous les chargeurs de batterie

- Avant d'utiliser le chargeur, lisez toutes les instructions et tous les marquages d'avertissement sur le chargeur, le bloc batterie et le produit qui utilise le bloc batterie.



AVERTISSEMENT: Danger d'électrocution. Ne laissez aucun liquide pénétrer à l'intérieur du chargeur. Cela pourrait causer une électrocution.



AVERTISSEMENT: Nous recommandons l'utilisation d'un dispositif différentiel à courant résiduel de calibre 30 mA ou moins.



ATTENTION: Risque de brûlure. Pour réduire le risque de blessure, ne chargez que les batteries rechargeables Trend. Les autres types de batterie peuvent exploser et causer des blessures et des dégâts.



ATTENTION: Les enfants doivent être surveillés pour s'assurer qu'ils ne jouent pas avec l'appareil.

AVIS: Dans certaines conditions où le chargeur est branché sur l'alimentation, il peut être court-circuité par des corps étrangers. Les corps étrangers conducteurs tels que, mais sans limitation, poussière de meulage, copeaux métalliques, laine d'acier, papier aluminium ou toute accumulation de particules métalliques, doivent être éloignés des logements du chargeur. Débranchez toujours le chargeur de l'alimentation quand il n'y a pas de bloc batterie dans le logement. Débranchez le chargeur avant de tenter de le nettoyer.

- **Les jeunes enfants et les infirmes.** Cet appareil n'est pas destiné à être utilisé par de jeunes enfants ni par des personnes infirmes sans surveillance.
- Ce produit n'est pas destiné à être utilisé par des personnes (y compris les enfants) dont les capacités physiques, sensorielles ou mentales sont diminuées, ou manquant d'expérience, de connaissances ou de compétences, sauf sous la supervision d'une personne responsable de leur sécurité. Les enfants ne doivent jamais être laissés à jouer seuls avec ce produit.
- **NE tentez PAS de charger le bloc batterie avec tout autre chargeur que ceux mentionnés dans ce manuel.** Le chargeur et le bloc batterie sont conçus spécifiquement pour fonctionner ensemble.
- **Ces chargeurs ne sont pas destinés à tout autre usage que la recharge de batteries rechargeables Trend.** Toute autre utilisation peut conduire à un risque d'incendie, de choc électrique ou d'électrocution.
- **N'exposez pas le chargeur à la pluie ni à la neige.**
- **Tirez la fiche plutôt que le cordon pour**

débrancher le chargeur. Ceci réduit le risque d'endommager la fiche et le cordon électrique.

- **Assurez-vous que le cordon est disposé de façon à éviter tout trébuchement, écrasement ou autre dommage ou contrainte.**
- **N'utilisez une rallonge qu'en cas d'absolue nécessité.** L'utilisation d'une rallonge incorrecte pourrait conduire à un risque d'incendie, de choc électrique ou d'électrocution
- **Ne placez aucun objet par-dessus le chargeur et ne placez pas le chargeur sur une surface molle qui pourrait obstruer les fentes de ventilation et conduire à un dégagement de chaleur interne excessif.** Placez le chargeur à l'écart de toute source de chaleur. La ventilation du chargeur est assurée par des fentes en haut et en bas du boîtier.
- **N'utilisez pas le chargeur avec un cordon ou une fiche endommagé** — faites-les remplacer immédiatement.
- **N'utilisez pas le chargeur s'il a reçu un choc violent, est tombé ou a été autrement endommagé de quelque façon que ce soit.** Confiez-le à un centre de service après-vente agréé.
- **Ne démontez pas le chargeur ; confiez-le à un centre de service après-vente agréé s'il a besoin d'intervention ou de réparation.** Un remontage incorrect pourrait conduire à un risque de choc électrique, d'électrocution ou d'incendie.
- Si le cordon d'alimentation est endommagé, il doit être remplacé immédiatement par le fabricant, son agent de service après-vente ou une personne de qualification comparable pour éviter tout danger.
- **Débranchez le chargeur de la prise avant de tenter tout nettoyage. Ceci limitera le risque de choc électrique.** Le retrait du bloc batterie ne réduit pas ce risque.
- **NE tentez JAMAIS** de relier 2 chargeurs ensemble.
- **Le chargeur est conçu pour une alimentation électrique domestique standard de 230 V. Ne tentez pas de l'utiliser sur toute autre tension.** Ceci ne s'applique pas au chargeur pour véhicule.
- **Assurez-vous de vérifier que le chargeur est en position stable et sûre.** Une chute de la batterie ou du chargeur peut présenter un risque de blessure pour vous-même ou pour d'autres.



AVERTISSEMENT:

Pour limiter le risque de choc électrique. Ne pas exposer à la pluie. Conserver à l'intérieur.

Si le cordon d'alimentation est endommagé, il doit être remplacé par le fabricant, son agent de service après-vente ou une personne de qualification comparable pour éviter un danger.

L'appareil peut être utilisé par des enfants âgés d'au moins 8 ans et des personnes aux capacités physiques,

sensorielles ou mentales réduites ou encore manquant d'expérience et de connaissances, ayant reçu des instructions ou sous supervision concernant l'utilisation de l'appareil de façon sûre et comprenant les dangers impliqués. Les enfants ne doivent pas jouer avec l'appareil. Le nettoyage et l'entretien par l'utilisateur ne doivent pas être effectués par des enfants sans supervision.

La fiche doit être retirée de la prise avant le nettoyage ou l'entretien de l'appareil.

RISQUES RÉSIDUELS

Malgré le respect des règlements de sécurité pertinents et la mise en œuvre de dispositifs de sécurité, certains risques résiduels ne peuvent pas être évités. Il s'agit notamment de :

- Perte auditive.
- Risque de blessure dû à la projection de particules.
- Risque de brûlures dû à l'échauffement des accessoires pendant l'utilisation.
- Risque de blessure dû à une utilisation prolongée.

CONSERVEZ CES INSTRUCTIONS



Sécurité électrique

Le moteur électrique a été conçu pour une seule tension. Vérifiez toujours que la tension du bloc batterie correspond à celle de la plaque signalétique. Assurez-vous aussi que la tension de votre chargeur correspond à celle de votre prise secteur.



Votre chargeur Trend est à double isolation, conformément à la norme EN60335 ; donc aucun fil de terre n'est nécessaire.

Si le cordon d'alimentation est endommagé, il doit être remplacé par un cordon spécifiquement conçu, disponible auprès du service après-vente Trend.

Remplacement de la fiche secteur (Royaume-Uni et Irlande uniquement)

S'il faut monter une nouvelle fiche secteur :

- Éliminez correctement l'ancienne fiche.
- Branchez le fil marron à la borne de phase de la fiche.
- Branchez le fil bleu à la borne de neutre.



AVERTISSEMENT: La borne de terre ne doit pas être raccordée.

Suivez les instructions de pose fournies avec les fiches de bonne qualité. Fusible recommandé : 3 A.

Utilisation d'une rallonge

Les rallonges ne doivent être utilisées qu'en cas d'absolue nécessité. Utilisez une rallonge homologuée adaptée à la puissance d'entrée de votre chargeur (**voir Caractéristiques techniques**). La section minimale des conducteurs est de 1mm²; la longueur maximale est de 30m.

En cas d'utilisation d'un dérouleur, déroulez toujours complètement le câble.

Chargeurs

Les chargeurs Trend n'exigent aucun réglage et sont conçus pour être aussi faciles à utiliser que possible.

Le chargeur T18S/CH6A accepte les blocs batterie Li-Ion 18 V Trend (T18S/BA2A, T18S/BA4AM et T18S/BA5A).



AVERTISSEMENT: Ne chargez qu'avec des chargeurs 18 V compatibles. L'utilisation d'autres chargeurs peut causer un incendie, des dommages ou des blessures graves.

Système de refroidissement

Le chargeur est équipé d'un ventilateur interne conçu pour refroidir le chargeur. N'utilisez jamais le chargeur si le ventilateur ne fonctionne pas correctement ou si les fentes de ventilation sont obstruées. Ne laissez pas pénétrer de corps étranger à l'intérieur du chargeur.

Temporisation pour bloc batterie chaud/froid

Quand le chargeur détecte que le bloc batterie est trop chaud ou trop froid, il lance automatiquement une temporisation de bloc chaud/froid, et suspend la charge jusqu'à ce que le bloc batterie atteigne une température appropriée. Le chargeur passe alors automatiquement en mode de charge du bloc batterie. Cette fonction assure une durée de vie optimale du bloc batterie.

Système de protection électronique

Les outils Li-Ion de Trend sont conçus avec un système de protection électronique qui protège le bloc batterie contre toute surcharge, surchauffe ou décharge profonde.

L'outil s'éteint automatiquement en cas d'activation du système de protection électronique.

Charge de batterie à l'intérieur

Ce chargeur est conçu pour être utilisé à l'intérieur. Nous ne recommandons pas son utilisation dans votre domicile. Dans l'idéal, les batteries devraient être chargées sur un établi dans un atelier, garage ou appentis. Si la charge doit être effectuée à domicile, la zone doit être bien ventilée et le chargeur placé sur une surface non combustible en s'assurant que les fentes de ventilation ne sont pas obstruées

Montage mural

Ces chargeurs sont conçus pour pouvoir être montés au mur ou posés verticalement sur une table ou un plan de travail. En cas de montage mural, positionnez le chargeur à proximité d'une prise électrique et à l'écart d'un angle rentrant ou autre obstacle qui pourrait gêner la circulation de l'air. Utilisez le dos du chargeur comme gabarit pour l'emplacement des vis de fixation au mur. Montez correctement le chargeur avec des fixations adaptées au type de mur, d'un diamètre de 7 – 9 mm et d'une longueur recommandée de 25 mm. Laissez une longueur de vis apparente suffisante pour permettre la pose du chargeur. Alignez les fentes à l'arrière du chargeur sur les vis apparentes et engagez-les à fond dans les fentes.

Blocs batterie

Instructions de sécurité importantes pour tous les blocs batterie

Quand vous commandez des blocs batterie de rechange, assurez-vous d'inclure la référence du produit et la tension.

Le bloc batterie n'est pas chargé à fond à la sortie de la boîte. Avant d'utiliser le bloc batterie et le chargeur, lisez les instructions de sécurité ci-dessous. Respectez ensuite les procédures de charge indiquées.

LISEZ TOUTES LES INSTRUCTIONS

- **Ne chargez pas et n'utilisez pas la batterie en atmosphère explosive, par exemple en présence de liquides, de gaz ou de poussières inflammables.** L'insertion ou le retrait de la batterie du chargeur peut enflammer les poussières ou les fumées.
- **Ne forcez jamais pour engager le bloc batterie dans le chargeur. Ne modifiez pas le bloc batterie de quelque façon que ce soit pour l'adapter à un chargeur non compatible, car le bloc batterie risquerait de se rompre et de causer des blessures graves.**

- Ne chargez les blocs batterie que dans des chargeurs Trend.
- **NE PAS** éclabousser ni immerger dans l'eau ni dans d'autres liquides.
- **Ne pas stocker ni utiliser l'outil et le bloc batterie dans des lieux où la température pourrait tomber en dessous de 4°C (34°F) (par exemple dans des appentis extérieurs ou des bâtiments métalliques en hiver), ni qui pourraient atteindre ou dépasser 40°C (104°F) (par exemple dans des appentis extérieurs ou des bâtiments métalliques en été).**

Ne pas incinérer le bloc batterie même s'il est gravement endommagé ou complètement usé. Le bloc batterie peut exploser au feu. Des fumées et

matières toxiques se dégagent lors de la combustion des blocs batterie lithium-ion.

- **Si le contenu de la batterie entre en contact avec la peau, rincez immédiatement la zone touchée à l'eau savonneuse.** Si du liquide de batterie entre en contact avec l'œil, rincez à grande eau l'œil ouvert pendant 15 minutes ou jusqu'à la disparition de l'irritation. Si vous consultez un médecin, l'électrolyte de la batterie est composé d'un mélange de carbonates organiques liquides et de sels de lithium.
- **Le contenu des éléments de batterie ouverts peut causer un irritation respiratoire.** Amenez à l'air libre. Si les symptômes persistent, consultez un médecin.



AVERTISSEMENT: Risque de brûlure. Le liquide de la batterie peut être inflammable s'il est exposé à des étincelles ou à une flamme.



AVERTISSEMENT: Ne tentez jamais d'ouvrir le bloc batterie pour quelque raison que ce soit. Si le boîtier du bloc batterie est fissuré ou endommagé, ne l'insérez pas dans le chargeur. Ne pas écraser, faire tomber ni endommager le bloc batterie. N'utilisez pas un bloc batterie ni un chargeur qui a reçu un choc violent, est tombé, est passé sous un véhicule ou a été endommagé de quelque façon que ce soit (par exemple percé par un clou, frappé par un marteau, écrasé au pied). Il y a risque de choc électrique ou d'électrocution. Les blocs batterie endommagés doivent être renvoyés au centre de service après-vente pour recyclage.



AVERTISSEMENT: Danger d'incendie. Ne stockez pas et ne transportez pas le bloc batterie de façon qui permette à des objets métalliques d'entrer en contact avec les bornes apparentes de la batterie. Par exemple, ne placez pas le bloc batterie dans des tabliers, poches, boîtes à outils, cartons de produits, tiroirs, etc. contenant des clous, vis, clés, etc.



ATTENTION: Quand il n'est pas utilisé, placez l'outil de côté sur une surface stable où il ne risquera pas de causer un risque de trébuchement ou de chute. Certains outils avec gros blocs batterie se tiennent verticalement sur le bloc batterie mais peuvent basculer facilement s'ils sont heurtés.

Transport



AVERTISSEMENT: Danger d'incendie. Le transport de batteries peut créer un incendie si les bornes de la batterie entrent en contact intempestif

avec des matériaux conducteurs. Pour le transport des batteries, assurez-vous que leurs bornes sont protégées et bien isolées des matériaux qui pourraient entrer en contact avec elles et causer un court-circuit.

REMARQUE: Les batteries lithium-ion ne doivent pas être transportées dans des bagages enregistrés.

Les batteries Trend sont conformes à tous les règlements d'expédition applicables prescrits par les normes industrielles et légales, notamment les Recommandations relatives au transport des marchandises dangereuses des Nations Unies ; le règlement sur les matières dangereuses de l'IATA (International Air Transport Association), les règlements IMDG (International Maritime Dangerous Goods) et l'Accord européen relatif au transport international des marchandises dangereuses par route (ADR). Les éléments et batteries lithium-ion ont été testés selon la section 38.3 Recommandations relatives au transport des marchandises dangereuses des Nations Unies, Manuel d'épreuves et de critères.

Dans la plupart des cas, l'expédition d'un bloc batterie Trend sera exemptée de classement comme matière dangereuse totalement réglementée de Classe 9. En général, seules les expéditions contenant une batterie lithium-ion d'énergie nominale supérieure à 100 Watts heure (Wh) exigera une expédition en tant que marchandise totalement réglementée de Classe 9.

Toutes les batteries lithium-ion ont leur capacité nominale en Watts heure indiquée sur le bloc. De plus, du fait de la complexité de la réglementation, Trend ne recommande pas l'expédition aérienne des blocs batterie lithium-ion seuls, quelle que soit leur capacité nominale en Watts heure. L'expédition d'outils avec batteries (kits combinés) par voie aérienne est possible par exception si la capacité nominale du bloc batterie ne dépasse pas 100 Wh.

Qu'une expédition soit considérée ou non comme exceptée ou totalement réglementée, il est de la responsabilité de l'expéditeur de consulter les plus récents règlements concernant l'emballage, l'étiquetage/marquage et les exigences de documentation.

Les informations fournies dans la présente section du manuel sont fournies de bonne foi et considérées comme exactes lors de la rédaction du document. Toutefois, ceci ne constitue en aucun cas une garantie explicite ni implicite. Il est de la responsabilité de l'acheteur de s'assurer que ses activités sont conformes aux règlements applicables.

Recommandations de stockage

Le stockage optimal se fait dans un lieu frais et sec, à l'écart de la lumière directe du soleil et de toute chaleur ou froid excessif. Pour obtenir de meilleures performances et la meilleure durée de vie de la batterie, stockez les blocs batterie à température ambiante quand vous ne les utilisez pas.

Pour un stockage prolongé, il est recommandé de stocker un bloc batterie chargé à fond dans un lieu frais et sec et en dehors du chargeur pour de meilleurs résultats.

REMARQUE: Les blocs batterie ne doivent pas être stockés complètement déchargés. Le bloc batterie devra être rechargé avant utilisation.

Étiquettes sur le chargeur et le bloc batterie

En plus des pictogrammes utilisés dans ce manuel, les étiquettes sur le chargeur et le bloc batterie peuvent présenter les pictogrammes suivants: -



Lire le manuel d'instructions avant l'utilisation.



Voir les Caractéristiques techniques pour le temps de charge.



Batterie en cours de charge.



Batterie chargée.



Batterie défectueuse.



Charge différée (Batterie en cours de refroidissement ou batterie trop froide).



Ne pas sonder avec des objets conducteurs.



Ne pas charger de blocs batterie endommagés



Ne pas exposer à l'eau.



Faire remplacer immédiatement les cordons défectueux.



Ne charger qu'entre 4°C et 40°C.



Pour usage intérieur uniquement.



Éliminer le bloc batterie dans le respect des lois sur Li-Ion l'environnement.



Ne pas incinérer le bloc batterie.

ARTICLES LIVRÉS

1 x Chargeur de batterie
1 x Manuel d'instructions

REMARQUE: Les blocs batterie et les chargeurs ne sont pas inclus avec les modèles B..

- Vérifiez que l'outil, les pièces ou les accessoires n'ont pas été endommagés pendant le transport.

- Prenez le temps de lire attentivement et de parfaitement comprendre ce manuel avant l'utilisation.

Emplacement du code de date

L'année de fabrication est indiquée sur la plaque signalétique.

DESCRIPTION DES PIÈCES - (Fig. 1)

- A. Rails de batterie
- B. Bouton de libération de la batterie
- C. Indicateur de niveau de charge de la batterie
- D. Bouton d'indicateur de niveau de charge de la batterie
- E. Logement de batterie du chargeur
- F. Voyants d'indication du chargeur
- G. Fiche secteur

USAGE PRÉVU

Le chargeur Trend T18S/CH6A est conçu pour la charge des blocs batterie Li-Ion 18 V Trend, T18S/BA2A, T18S/BA4AM et T18S/BA5A .

NE PAS utiliser en présence d'humidité, de liquides ou gaz inflammables.

NE PAS laisser les enfants entrer en contact avec le chargeur. Une supervision est indispensable en cas d'utilisation de ce chargeur par des opérateurs inexpérimentés.

- **Les jeunes enfants et les infirmes.** Cet appareil n'est pas destiné à être utilisé par de jeunes enfants ni par des personnes infirmes sans surveillance.
- Ce produit n'est pas destiné à être utilisé par des personnes (y compris les enfants) dont les capacités physiques, sensorielles ou mentales sont diminuées, ou manquant d'expérience, de connaissances ou de compétences, sauf sous la supervision d'une personne responsable de leur sécurité. Les enfants ne doivent jamais être laissés à jouer seuls avec ce produit.
- N'utilisez que des batteries rechargeables avec ce chargeur.

Type de batterie	Tension	Élément	Capacité
T18S/BA2A	18	5 x Li-Ion	2.0 Ah
T18S/BA4AM	18	5 x Li-Ion	4.0 Ah
T18S/BA5A	18	10 x Li-Ion	5.0 Ah

UTILISATION



État de charge de la batterie - (Fig. 2 - 2a)

Pour afficher la quantité de charge restante dans la batterie, appuyez sur le bouton de voyant d'état de charge (Fig.2). La Fig. 2a présente la relation entre les indications des voyants LED et la charge restante.

REMARQUE: L'indicateur de niveau de charge de batterie ne fournit qu'une indication de la charge restante sur le bloc batterie. Il n'indique pas la fonctionnalité de l'outil et peut varier en fonction des composants du produit, de la température et de l'usage prévu par l'utilisateur final.

Autodécharge

Une batterie au lithium peut s'autodécharger et perdre sa charge au cours du temps. En général, elle peut perdre environ 5 % de sa charge le premier mois après une charge complète (en cas de stockage à température ambiante), puis perdre 3 % supplémentaires par mois. L'autodécharge est accélérée en cas de stockage à haute température.

Charge et utilisation d'une batterie - (Fig. 4 - 4d)

- Le bloc batterie de cet outil a été livré en état de faible charge pour éviter les problèmes possibles. Vous devez donc le charger jusqu'à l'allumage du voyant LED vert à l'avant droit du chargeur.
- **REMARQUE:** Les batteries n'atteindront pas leur état de pleine charge à la première charge. Il faudra plusieurs cycles (utilisation et recharge) pour qu'elles atteignent leur pleine charge.
- Commencez par lire les instructions de sécurité et respectez les instructions de charge.
- Branchez le chargeur sur une prise secteur standard 230 V~50 Hz, le voyant LED vert à l'avant gauche du chargeur doit s'allumer.
- Évitez les nœuds et les pincements dans le câble.
- Placez le bloc batterie sur le socle du chargeur. (Remarque que la forme du bloc batterie ne permet de l'engager sur le chargeur que d'une seule façon). Réglez le temps de charge sur 32, 48, 54 minutes seulement.
- Le voyant LED rouge à l'avant droit du chargeur s'allume pour signaler que la charge est en cours. Un voyant LED vert s'allumera quand la batterie sera pleinement chargée.
- Débranchez le chargeur quand il n'est pas utilisé et rangez-le dans une armoire appropriée.
- Évitez de charger votre batterie par temps de gel car la puissance de charge ne serait pas suffisante.

- En cas de charge de plus d'un bloc batterie, laissez refroidir le chargeur au moins 30 minutes avant de charger une autre batterie.
- Retirez toujours le bloc batterie pour le ranger en sécurité quand l'outil n'est pas utilisé.



ATTENTION: Si à un moment quelconque pendant la charge aucun des voyants LED n'est allumé, retirez le bloc batterie du chargeur pour éviter d'endommager le produit. N'insérez JAMAIS une autre batterie.

Insertion et retrait du bloc batterie de l'outil - (Fig. 3 - 3a)

REMARQUE: Assurez-vous que votre bloc batterie est chargé à fond.

REMARQUE: Pour éviter des blessures graves, retirez toujours le bloc batterie et dégagez les mains du bouton de verrouillage pour transporter ou porter l'outil.

Une mise en place incorrecte du bloc batterie peut endommager les composants internes.

Pour installer le bloc batterie dans la poignée de l'outil - (Fig. 3)

- Alignez le bloc batterie sur les rails à l'intérieur du logement de batterie de l'appareil.
- Glissez le bloc batterie à fond dans son logement en vous assurant d'entendre l'encliquetage du verrou.

Retrait du bloc batterie de l'outil - (Fig. 3a)

- Appuyez sur le bouton de libération et tirez fermement le bloc batterie pour le sortir de son logement.
- Insérez le bloc batterie dans le chargeur comme indiqué dans la section Chargeur de ce manuel.

ENTRETIEN

N'utilisez que des pièces de rechange et accessoires d'origine Trend.

L'outil électrique a été conçu pour fonctionner longtemps avec un minimum d'entretien. Le bon fonctionnement de l'outil dépend des soins et d'un nettoyage régulier de l'appareil.



AVERTISSEMENT: Pour réduire le risque de blessure grave, arrêtez l'outil et débranchez le bloc batterie avant tout réglage ou dépose/pose d'accessoires ou fixations. Un démarrage intempestif peut causer des blessures.

Le chargeur et le bloc batterie ne sont pas réparables. Ne tentez pas de réparer le chargeur.

Lubrification

- Votre outil électrique n'exige aucune lubrification supplémentaire.

Instructions de nettoyage du chargeur et de la batterie



AVERTISSEMENT: Danger d'électrocution. Débranchez le chargeur de la prise secteur avant le nettoyage. Vous pouvez éliminer la saleté et la graisse de l'extérieur du chargeur à l'aide d'un chiffon ou d'une brosse douce non métallique. N'utilisez pas d'eau ni de produit de nettoyage liquide. Ne laissez jamais aucun liquide pénétrer à l'intérieur de l'outil ; n'immergez jamais une quelconque partie de l'outil dans un liquide.

Stockage

- Remettez toujours l'outil dans son emballage après utilisation.

PROTECTION DE L'ENVIRONNEMENT



Recyclez les matières premières plutôt que d'éliminer l'appareil comme déchet

Les accessoires et l'emballage doivent être triés pour un recyclage respectueux de l'environnement.

Tri séparé. Ce produit ne doit pas être éliminé avec les ordures ménagères.

Batteries et environnement



Cet appareil utilise des batteries lithium-ion (Li-Ion). Quand le bloc batterie doit être remplacé, nous recommandons de procéder comme suit : Évacuer l'énergie des batteries en les vidant complètement avant de les retirer de l'outil..



Les éléments lithium-ion sont recyclables, ne les jetez donc pas dans les ordures ménagères. Ils pourraient arriver dans un incinérateur ou être enfouis, ce qui doit être évité.

Amenez plutôt les batteries à un agent de service après-vente Trend, à votre revendeur local Trend ou à une déchetterie locale. Si nécessaire, contactez votre municipalité locale pour plus d'informations sur l'élimination. Les batteries recueillies devront être éliminées correctement et/ou recyclées.

Utilisateur particulier

Les règlements locaux peuvent proposer une collecte séparée des produits électriques domestiques, en déchetteries ou chez le revendeur lors de l'achat d'un produit neuf. Appelez le service clientèle Trend pour

obtenir des conseils sur la manière d'éliminer les produits électriques Trend qui ne servent plus dans le respect de l'environnement, ou visitez www.trend-uk.com

Utilisateurs professionnels

Appelez le service clientèle Trend pour l'élimination des produits électriques Trend qui ne servent plus.

GARANTIE

L'appareil est garanti par le constructeur conformément aux conditions de la carte de garantie jointe.

Pour connaître l'adresse de votre agent de service après-vente Trend le plus proche, appelez le service clientèle Trend ou consultez notre outil de recherche de revendeur à l'adresse www.trend-uk.com

NL - T18S/CH6A, T18S/CH6A/E, T18S/BA2A, T18S/BA4AM, T18S/BA5A

Bedankt voor de aankoop van dit Trend product. Wij hopen dat u het vele jaren creatief en productief gaat gebruiken.

Gelieve de garantietaal binnen 28 dagen na aankoop in te sturen.

TECHNISCHE GEGEVENS

Accu		
Type accu		Li-Ion
Accuspanning	VDC	18
Accucapaciteit T18S/BA2A	Ah	2
Accucapaciteit T18S/BA4AM	Ah	4
Accucapaciteit T18S/BA5A	Ah	5
Gewicht T18S/BA2A	kg	0.39
Gewicht T18S/BA4AM	kg	0.54
Gewicht T18S/BA5A	kg	0.67
Lader T18S/CH6A	kg	0.91
Lader T18S/CH6A/E	kg	0.86
Lader netspanning	V	220 - 240
Lader netfrequentie	Hz	50/60
Lader uitgangsspanning	VDC	150
Netspanning oplader	W	150
Uitgangsspanning van de lader	VDC	21
Lader uitgangsstroom	A	6
Laadtijd T18S/BA2A*	min.	32
Laadtijd T18S/BA4AM*	min.	48
Laadtijd T18S/BA5A*	min.	54
* de laadtijd geldt alleen voor accu's met een capaciteit vol-gens de tabel		

Zekeringen		3
VK en Ierland	240 V tools	3 A, in de netstek-ker
Europa	230 V tools	10 A, in de ver-deelkast

EC CONFORMITEITSVERKLARING ELEKTROMAGNETISCH COMPATIBILITEITSRICHTLIJN



18V LADER 6A

**T18S/CH6A
T18S/CH6A/E**

18V ACCU

**T18S/BA2A - 2Ah
T18S/BA4AM - 4Ah
T18S/BA5A - 5Ah**

Trend verklaart hierbij dat deze accu's in overeenstemming zijn met de essentiële vereisten en andere relevante bepalingen van EU-Richtlijn inzake batterijen en accu's 2006/66/EC, en ontworpen zijn in overeenstemming met EN 62133-2:2017, EN 62841-1:2015.

Trend verklaart dat het product beschreven onder Technische gegevens in overeenstemming is met: 2014/35/EU, EN 60335-1:2012+A11+A13+A14+A2, EN 60335-2-29:2004+A2+A11, EN 62233:2008.

Dit product is tevens in overeenstemming met Richtlijnen 2014/30/EU en 2011/65/EU

Voor nadere informatie kunt u contact opnemen met Trend op het onderstaande adres, of zie achter in deze handleiding. De ondergetekende maakt deze verklaring uit naam van Trend Tool Technology Ltd.

Neil McMillan
Technical Director

Trend Tool Technology Ltd,
Odhams Trading Estate,
Watford, WD24 7TR,
England

01/08/2021

Contactpersoon voor het technische dossier
Trend Tool Technology Ltd,
3rd Floor, Kilmore House,
Park Lane, Spencer Dock,
Dublin 1, Ireland



WAARSCHUWING: Lees de handleiding om het risico op letsel te verminderen.

Definities: Veiligheidsrichtlijnen

De onderstaande definities geven de ernst aan van elk signaalwoord. Lees de handleiding en let op deze symbolen.



GEVAAR: Wijst op een direct gevaarlijke situatie die, als deze niet wordt voorkomen, **zal** leiden tot de dood of ernstig letsel.



WAARSCHUWING: Wijst op een mogelijk gevaarlijke situatie die, als deze niet wordt voorkomen, **kan** leiden tot de dood of ernstig letsel.



OPGELET: Wijst op een mogelijk gevaarlijke situatie die, als deze niet wordt voorkomen, **kan** leiden tot licht of beperkt letsel.



OPMERKING: Geeft een werkwijze aan, **niet in verband met letsel** die, als deze niet wordt voorkomen, **kan** leiden tot **zaakbeschadiging**.



Geeft risico op elektrische schokken aan.



Geeft risico op brand aan.



VEILIGHEIDSWAARSCHUWINGEN



WAARSCHUWING: Lees alle veiligheidswaarschuwingen, gebruiksaanwijzingen, illustraties en specificaties die met deze machine zijn meegeleverd. Het niet opvolgen van onderstaande aanwijzingen kan leiden tot elektrische schokken, brand en/of ernstig letsel.

BEWAAR ALLE WAARSCHUWINGEN EN INSTRUCTIES VOOR TOEKOMSTIG GEBRUIK



Belangrijke veiligheidsaanwijzingen voor alle acculaders

- Voordat u de lader gebruikt, moet u alle aanwijzingen en waarschuwingen lezen op de lader, accu en het product dat de accu gebruikt.



WAARSCHUWING: Gevaar op elektrische schok. Voorkom dat er vloeistof in de lader komt. Dat kan leiden tot elektrische schokken.



WAARSCHUWING: Wij raden het gebruik aan van een aardlekschakelaar, met een uitschakelstroom van 30 mA of minder.



OPGELET: Gevaar op brandwonden. Om het risico op letsel te verminderen, mogen alleen Trend accu's worden opgeladen. Andere soorten accu's kunnen barsten en dit kan leiden tot letsel en schade.



OPGELET: Kinderen moeten onder toezicht zijn, zodat zij niet met het apparaat spelen.

OPMERKING: Onder bepaalde omstandigheden, als de lader op de stroomtoevoer is aangesloten, kan de lader worden kortgesloten door materiaal van buiten. Materiaal dat elektrisch geleidend is, zoals slijpstof, metalen spanen, staalwol, aluminium folie en de opbouw van metalen deeltjes moet weg worden gehouden van de openingen in de lader. Neem de stekker van de lader altijd uit het stopcontact als er geen accu in zit. Neem de stekker van de lader altijd uit het stopcontact voordat u de lader schoonmaakt.

- **Jonge kinderen en mensen met beperkingen.** Dit apparaat is niet bedoeld voor gebruik zonder toezicht door jonge kinderen of personen met beperkingen.
- Dit product is niet bedoeld voor gebruik door personen (waaronder kinderen) met beperkte fysieke, sensorische of mentale capaciteit, of gebrek aan ervaring en/of gebrek aan kennis of vaardigheden, tenzij onder toezicht van een persoon die verantwoordelijk is voor hun veiligheid. Laat kinderen nooit alleen met dit product.
- **Probeer NOOIT de accu te laden met een lader anders dan beschreven in deze handleiding.** De lader en accu zijn speciaal ontworpen om samen gebruikt te worden.
- **Deze laders zijn niet bedoeld voor gebruik anders dan het opladen van Trend accu's.** Andere toepassingen kunnen leiden tot risico op brand, elektrische schokken of elektrocutie.
- **Stel de lader niet bloot aan regen of sneeuw.**
- **Bij het loskoppelen moet u aan de stekker trekken, niet aan het snoer.** Dat vermindert het risico op beschadiging van het netsnoer en de stekker.
- **Verzekert dat het netsnoer zo ligt dat er niet op gestapt wordt, men er niet over kan struikelen, of dat het anderszins wordt beschadigd of belast.**
- **Gebruik geen verlengsnoer tenzij dat absoluut noodzakelijk is.** Gebruik van een onjuist verlengsnoer kan leiden tot risico op brand, elektrische schok of elektrocutie.

- **Plaats geen voorwerp op de lader en plaats de lader niet op een zacht oppervlak dat de ventilatie-openingen kan afsluiten en kan leiden tot interne oververhitting.** Plaats de lader niet in de buurt van warmtebronnen. De lader wordt geventileerd door sleuven in de bovenkant en onderkant van de behuizing.
- **Gebruik de lader niet als het netsnoer of de stekker beschadigd zijn** — laat die onmiddellijk vervangen.
- **Gebruik de lader niet indien deze is blootgesteld aan een stoot, gevallen is, of anderszins beschadigd is.** Neem de lader dan naar een geautoriseerd servicecentrum.
- **Demonteer de lader nooit, neem deze naar een geautoriseerd servicecentrum indien onderhoud of reparatie nodig is.** Onjuiste hermontage kan leiden tot risico op elektrische schokken, elektrocutie of brand.
- Als het netsnoer beschadigd is, moet dit direct worden vervangen door de fabrikant, een servicevertegenwoordiger of een vergelijkbaar gekwalificeerde persoon, om gevaar te voorkomen.
- **Neem de stekker uit het stopcontact voordat u de lader schoonmaakt. Dat vermindert het risico op elektrische schokken.** Het uitnemen van de accu vermindert dit risico niet.
- **NOOIT** 2 laders met elkaar verbinden.
- **Deze lader is ontworpen voor gebruik op een normale netspanning van 230V. Probeer deze niet op een andere spanning te gebruiken.** Dit is niet van toepassing op de lader voor gebruik in een voertuig.
- **Zorg dat de lader stabiel en veilig is opgesteld.** Een vallende accu of lader kan een risico op letsel bij uzelf of anderen inhouden.



WAARSCHUWING:

Om het risico op elektrische schok te verminderen. Niet blootstellen aan regen. Binnenshuis bewaren.

Indien het netsnoer beschadigd is moet dit worden vervangen door de fabrikant, de service-agent of iemand met een vergelijkbare kwalificatie, om gevaar te voorkomen.

Dit apparaat mag worden gebruikt door kinderen vanaf 8 jaar oud en door personen met beperkte fysieke, sensorische of mentale capaciteit, of gebrek aan ervaring en kennis, indien deze toezicht of instructie over het veilige gebruik van het apparaat hebben gekregen en de gevaren begrijpen. Kinderen mogen niet met het apparaat spelen. Reiniging en onderhoud door de gebruiker mogen niet worden uitgevoerd door kinderen, tenzij onder toezicht.

De stekker moet uit het stopcontact worden genomen voordat het apparaat wordt gereinigd of onderhouden.

RESTRISICO'S

Ondanks het opvolgen van de relevante veiligheidsregels en toepassing van veiligheidsvoorzieningen, kunnen zekere restrisico's niet worden vermeden. Dit zijn:

- Gehoorschade.
- Risico op letsel door rondvliegende deeltjes.
- Risico op brandwonden door accessoires die heet worden tijdens gebruik.
- Risico op letsel door langdurig gebruik.

BEWAAR DEZE GEBRUIKSAANWIJZING



Elektrische veiligheid

De elektrische motor is ontworpen voor één bepaalde spanning. Controleer altijd dat de spanning op de accu overeenkomt met de spanning op het typeplaatje. Controleer ook dat de spanning van de lader overeenkomt met de netspanning.



Uw Trend lader is dubbel geïsoleerd in overeenstemming met EN60335 en heeft dan ook geen aarddraad.

Als het netsnoer beschadigd wordt, moet het worden vervangen door een speciaal uitgevoerd netsnoer, leverbaar via de Trend service organisatie.

Vervanging van de netstekker (alleen voor VK en Ierland)

Als er een nieuwe netstekker gemonteerd moet worden:

- Gooi de oude netstekker veilig weg.
- Sluit de bruine ader aan op de fase-pen van de stekker.
- Sluit de blauwe ader aan op de nul-pen van de stekker.



WAARSCHUWING: Er wordt niets aangesloten op de aard-pen.

Volg de instructies op die worden meegeleverd met stekkers van goede kwaliteit. Aanbevolen zekering: 3 A.

Gebruik van een verlengsnoer

Een verlengsnoer mag alleen gebruikt worden als dat beslist nodig is. Gebruik een goedgekeurd verlengsnoer dat geschikt is voor de aansluiting van uw lader (zie **Technische gegevens**). De minimale aderdoorsnede is 1 mm²; De maximale lengte is 30 m.

Bij gebruik van een kabelhaspel moet deze altijd geheel worden afgewikkeld.

Laders

Trend laders vereisen geen instellingen en zijn ontworpen om zo gemakkelijk mogelijk in gebruik te zijn.

De T18S/CH6A lader is geschikt voor 18V Li-Ion Trend accu's (T18S/BA2A, T18S/BA4AM en T18S/BA5A).



WAARSCHUWING: Alleen opladen met geschikte 18V laders. Het gebruik van andere laders kan leiden tot brand, schade of ernstig letsel.

Koelsysteem

De lader heeft een interne ventilator om de lader te lader. Gebruik de lader nooit als de ventilator niet goed werkt of de ventilatie-openingen verstopt zijn. Voorkom dat voorwerpen in de lader dringen.

Vertraging bij een warme/koude accu

Als de lader merkt dat de accu te warm of te koud is, start deze automatisch een warm/koud wachttijd. Het laden wordt dan uitgesteld tot de accu de geschikte temperatuur heeft bereikt. De lader schakelt dan weer automatisch over naar opladen. Deze functie optimaliseert de levensduur van de accu.

Elektronisch beveiligingssysteem

Trend Li-Ion gereedschap is voorzien van een elektronisch beveiligingssysteem om de accu te beschermen tegen overbelasting, oververhitting of te diepe ontlading.

Het gereedschap schakelt automatisch uit als het elektronisch beveiligingssysteem geactiveerd wordt.

Accu's binnen opladen

Deze lader is ontworpen voor gebruik binnen. Wij raden gebruik in een woning niet aan. Bij voorkeur moeten accu's worden geladen op een werkbank in een werkplaats, garage of schuur. Als het laden in een woning moet worden gedaan, moet de omgeving goede ventilatie hebben en de lader moet op een onbrandbaar oppervlak staan en de ventilatie-openingen mogen niet geblokkeerd worden.

Montage op de muur

De laders zijn ontworpen voor montage op de muur, of rechtstandig gebruik op een tafel of ander oppervlak. Bij montage op de muur moet de lader worden gemonteerd in de buurt van een stopcontact, en niet bij een hoek of ander obstakel dat de luchtstroom zou kunnen beperken. Gebruik de achterkant van de lader als een mal om de plaats van de schroeven op de muur te bepalen. Monteer de lader met geschikte schroeven, afhankelijk van het type muur; wij bevelen een kopdoorsnede van 7 tot 9 mm en lengte van 25 mm aan. Laat de schroeven voldoende uitsteken om de lader te bevestigen. Lijn de uitsparingen op de achterkant van de lader uit met de schroeven en schuif deze in de uitsparingen.



Accu's

Belangrijke veiligheidsaanwijzingen voor alle accu's

Bij het bestellen van vervangende accu's moet u altijd de referentie en de spanning opgeven.

Als u een nieuwe accu uit de verpakking neemt, is deze niet geheel geladen. Lees onderstaande veiligheidsinstructies voordat u de accu en lader gebruikt. Volg dan de beschreven laadinstructies.

LEES ALLE INSTRUCTIES

- **Laad of gebruik de accu niet in een explosieve atmosfeer, zoals in de aanwezigheid van brandbare vloeistoffen, gassen of stof.** Het plaatsen of verwijderen van de accu in/uit de lader kan het stof of de dampen ontsteken.
- **Forceer de accu nooit bij het plaatsen in de lader. Wijzig de accu nooit om deze in een ongeschikte lader te plaatsen; de accu zou dan kunnen barsten en dit kan leiden tot ernstig letsel.**
- Laad de accu's alleen op in Trend laders.
- Voorkom bespatten met of onderdompeling in water of een andere vloeistof.
- **Bewaar/gebruik het gereedschap en de accu niet op plekken waar de temperatuur lager kan worden dan 4°C (zoals in een schuur of metalen gebouw in de winter) of 40°C kan bereiken of overschrijden (zoals in een schuur of metalen gebouw in de zomer).**
- **Verbrand de accu nooit, ook niet als deze zwaar beschadigd is of geheel versleten is.** De accu kan in het vuur exploderen. Bij verbranding van lithium-ion accu's komen schadelijke dampen en stoffen vrij.
- **Als de inhoud van de accu in aanraking komt met uw huid, was deze dan direct af met zachte zeep en water.** Als de accuvloeistof in het oog komt, spoel dan water over het geopende oog, gedurende 15 minuten of tot de irritatie over is. Als er medische hulp nodig is, geef dan aan dat het elektrolyt in de accu bestaat uit een mengsel van vloeibare organische carbonaten en lithiumzouten.
- **De inhoud van geopende accucellen kan irritatie van de luchtwegen veroorzaken.** Zorg voor frisse lucht. Als de symptomen voortduren, raadpleeg dan een arts.



WAARSCHUWING: Gevaar op brandwonden. Accuvloeistof kan brandbaar zijn bij blootstelling aan vonken of open vuur.



WAARSCHUWING: Probeer de accu nooit open te maken, om welke reden dan ook. Als de behuizing van de accu gebarsten of beschadigd is, zet de accu dan niet in de lader. Voorkom beknelling, vallen of beschadiging van de accu. Als de accu of lader is blootgesteld aan een stoot, gevallen is, overreden is, of anderszins beschadigd is, mag deze niet gebruikt worden. Voorbeelden: doorboord met een spijker, geraakt door een hamer, er is iemand op gaan staan. Dit kan leiden tot een elektrische schok of elektrocutie. Beschadigde accu's moeten naar het servicecentrum gestuurd worden voor recycling.



WAARSCHUWING: Brandgevaar. Berg of transporteer de accu zo dat metalen voorwerpen niet in aanraking kunnen komen met de blootliggende accucontacten. Bijvoorbeeld: plaats de accu niet in een werkschort, kledingzak, gereedschapskist, productkist, lade, enz. met daarin losse spijkers, schroeven, sleutels, enz.



WAARSCHUWING: Als het gereedschap niet in gebruik is, moet het op een stevige ondergrond gezet worden waar het niet kan leiden tot struikelen of vallen. Sommige gereedschappen met grote accu's kunnen rechtop staan op de accu, maar kunnen dan makkelijk worden omgestoten.

Transport



WAARSCHUWING: Brandgevaar. Transport van accu's kan leiden tot brand indien de accucontacten onbedoeld in aanraking komen met geleidende materialen. Bij het transport van accu's moet u veiligstellen dat de accucontacten beschermd zijn en geïsoleerd van materialen die ermee in aanraking zouden kunnen komen en zouden kunnen leiden tot kortsluiting.

OPMERKING: Lithium-ion accu's mogen niet in ruimbagage worden meegenomen.

Trend accu's voldoen aan alle geldende transportregels zoals vastgelegd in industrie- en bindende normen, waaronder de UN Recommendations on the Transport of Dangerous Goods; International Air Transport Association (IATA) Dangerous Goods Regulations, International Maritime Dangerous Goods (IMDG) Regulations, en de Europese overeenkomst voor het internationale vervoer van gevaarlijke goederen over de weg (ADR). Lithium-ion cellen en accu's zijn beproefd volgens artikel 38,3 van de UN Recommendations on the Transport of Dangerous Goods Manual of Tests and Criteria.

In de meeste gevallen zal een Trend accu bij transport niet worden aangemerkt als een klasse 9 gevaarlijke stof die volledig onder de regels valt. In het algemeen vallen

alleen transporten met een lithium-ion accu met een capaciteit van meer dan 100 watt-uur (Wh) onder klasse 9 en volledig onder de regels.

De capaciteit in watt-uur is op de behuizing van alle lithium-ion accu's aangegeven. Bovendien raadt Trend, wegens de complexe regelgeving, het af losse lithium-ion accu's per lucht te verzenden, ongeacht de capaciteit in watt-uur. Transporten van gereedschappen met accu's (gecombineerde sets) kunnen per lucht worden getransporteerd, zonder beperkingen, indien de capaciteit in watt-uur van de accu niet groter is dan 100 watt-uur.

Bij alle transporten, of die nu onder de beperkingen en regelgeving vallen of niet, is de verzender verantwoordelijk voor het raadplegen van de actuele regels voor verpakking, etikettering/merktekens en vereiste documentatie.

De informatie in dit deel van het handboek wordt te goeder trouw gegeven en wij menen dat deze juist is ten tijde van het schrijven. Wij kunnen dit echter absoluut niet garanderen. De koper is verantwoordelijk voor het gebruik in overeenstemming met de geldende regelgeving.

Aanbevelingen voor het opbergen

De beste plaats voor het opbergen is een koele en droge plek, uit de buurt van direct zonlicht en kou en hitte. Voor de optimale prestaties en levensduur moeten de accu's op kamertemperatuur worden opgeborgen als ze niet in gebruik zijn.

Bij lange opslag wordt aanbevolen de geheel geladen accu op een koele, droge plaats op te bergen - niet in de lader - voor een optimaal resultaat.

OPMERKING: Accu's moeten niet worden opgeborgen als ze geheel ontladen zijn. De accu moet voor gebruik worden geladen.

Etiketten op de lader en accu

Naast de pictogrammen in deze handleiding kunnen de etiketten op de lader en de accu ook de onderstaande pictogrammen tonen:



Lees de handleiding voor gebruik.



Zie Technische gegevens voor de laadtijd.



Accu wordt geladen.



Accu is geladen.




Accu is defect.




Vertraagd opladen (accu koelt af of te koude accu).

 Niet aanraken met geleidende objecten.


 Beschadigde accu's nooit opladen.

 Niet blootstellen aan water.

 Defecte snoeren onmiddellijk laten vervangen.

 Alleen laden tussen and 40°C.

 Alleen voor binnengebruik.

 Li-Ion Voer de accu af in overeenstemming met milieuregelgeving.

 Verbrand de accu niet.

LEVERINGSOMVANG

1 x acculader
1 x handleiding

OPMERKING: B modellen worden geleverd zonder accu's en laders.

- Controleer het gereedschap, onderdelen en accessoires op eventuele transportschade.
- Neem de tijd om deze handleiding goed te lezen en te begrijpen voordat u dit product gebruikt.

Positie van de datumcode

Het productiejaar is op het typeplaatje aangegeven.

BESCHRIJVING VAN DE ONDERDELEN - (Fig. 1)

- Accurichels
- Accuontgrendeling
- Acculadingsindicatie
- Acculadingsindicatieknop
- Accuaansluiting van de lader
- Indicatielampen van de lader
- Netstekker

TOEPASSING

De Trend T18S/CH6A lader is ontworpen voor het laden van 18V Li-Ion Trend accu's, T18S/BA2A, T18S/BA4AM en T18S/BA5A.

NIET GEBRUIKEN onder natte omstandigheden of in de aanwezigheid van brandbare vloeistoffen of gassen.

VOORKOM dat kinderen aan dit product kunnen komen. Bij gebruik van dit product door onervaren gebruikers is toezicht vereist.

• **Jonge kinderen en mensen met beperkingen.** Dit apparaat is niet bedoeld voor gebruik zonder toezicht door jonge kinderen of personen met beperkingen.

• Dit product is niet bedoeld voor gebruik door personen (waaronder kinderen) met beperkte fysieke, sensorische of mentale capaciteit, of gebrek aan ervaring en/of gebrek aan kennis of vaardigheden, tenzij onder toezicht van een persoon die verantwoordelijk is voor hun veiligheid. Laat kinderen nooit alleen met dit product spelen.

• Gebruik deze lader alleen met oplaadbare accu's.

Type accu	Spanning	Cel	Capaciteit
T18S/BA2A	18	5 x Li-Ion	2.0 Ah
T18S/BA4AM	18	5 x Li-Ion	4.0 Ah
T18S/BA5A	18	10 x Li-Ion	5.0 Ah

GEBRUIK



Battery Charge Status - (Fig. 2 - 2a)

Om de resterende lading van de accu weer te geven, drukt u op de ladingsindicatie knop (Fig.2). Fig. 2a geeft het verband aan tussen de ledindicatie en de resterende lading.

OPMERKING: De acculadingsindicatie geeft niet meer dan een indicatie van de resterende lading van de accu. Het geeft geen informatie over de functionaliteit van het gereedschap, en kan variëren afhankelijk van de productonderdelen, temperatuur en toepassing door de eindgebruiker.

Zelfontlading

Een lithiumaccu kan zelfontlading ondergaan, waardoor de opgeslagen lading vermindert. Doorgaans verliest een accu ongeveer 5% van de lading in de eerste maand na het volledig opladen, bij opslag op kamertemperatuur, en vervolgens 3% per maand. Bij opslag op hogere temperatuur zal de zelfontlading sneller verlopen.

Laden und Betrieb der Batterie - (Fig. 4 - 4d)

- Die Batterie hat beim Versand nur eine niedrige Ladung, um mögliche Probleme zu vermeiden. Laden Sie deshalb die Batterie bis die grüne LED-Anzeige rechts auf der Vorderseite aufleuchtet.
- **HINWEIS:** Batterien werden beim ersten Mal nicht voll aufgeladen. Für eine vollständige Aufladung werden mehrere Zyklen (Betrieb mit anschließendem Aufladen) benötigt.
- Lesen Sie zuerst die Sicherheitsrichtlinien und dann die Ladeanleitung.

• Schließen Sie das Ladegerät an eine übliche 230 V-50Hz Netzsteckdose an, leuchtet die grüne LED links auf der Vorderseite auf.

• Stellen Sie sicher, dass das Kabel nicht verknottet oder geknickt wird.

• Setzen Sie die Batterie in die Ladestation ein. (Beachten Sie die ausgestellten Rippen an der Batterie, die ein Einsetzen auf nur ein mögliche Weise zulassen). Stellen Sie die Ladezeit nur auf 32, 48 oder 54 Minuten ein.


• Die rote LED rechts auf der Vorderseite zeigt an, dass der Ladevorgang läuft. Eine grüne LED leuchtet auf, wenn der Ladevorgang abgeschlossen ist.

• Trennen Sie das Ladegerät nach dem Betrieb vom Stromnetz und verwahren Sie es in einem geeigneten Lagerschrank auf.

• Vermeiden Sie es, Ihre Batterie bei Frost zu laden, weil die Ladeleistung dann nicht ausreicht.

• Wenn Sie mehrere Batterien nacheinander laden wollen, lassen Sie das Ladegerät nach einem Ladevorgang mindestens 30 Minuten abkühlen, bevor Sie die nächste Batterie laden.

• Entfernen Sie immer die Batterie aus dem Werkzeug und bewahren sie sicher auf, wenn es nicht in Betrieb ist.

 **VORSICHT:** Wenn während eines Ladevorgangs keine LED leuchtet, entfernen Sie Batterie aus dem Ladegerät, um eine Beschädigung des Produkts zu vermeiden. Setzen Sie KEINE andere Batterie in das Ladegerät ein.

Plaatsen en verwijderen van de accu op/van het gereedschap - (Fig. 3 - 3a)

OPMERKING: Verzekert dat de accu geheel geladen is.

OPMERKING: Om ernstig letsel te voorkomen, moet u de accu altijd verwijderen en uw handen uit de buurt van de vergrendelingsknop houden bij het dragen of transporteren van het gereedschap.

Onjuiste plaatsing van de accu kan interne onderdelen beschadigen.

Plaats de accu in het gereedschap - (Fig. 3)

- Lijn de accu uit met de richels in de opening in het gereedschap voor de accu.
- Schuif de accu naar binnen tot deze goed vast zit en u de vergrendeling hoort klikken.

Verwijderen van de accu van het gereedschap - (Fig. 3a)

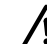


- Druk op de ontgrendeling en trek de accu uit de opening.
- Plaats de accu in de lader, zoals beschreven in het hoofdstuk 'Lader' van deze handleiding.

ONDERHOUD

Gebruik alleen originele Trend reserve onderdelen.

Deze machine is ontworpen voor een lange levensduur met minimaal onderhoud. De goede werking vereist goede zorg voor de machine en een regelmatige reiniging.

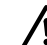
 **WAARSCHUWING:** Om het risico op ernstig letsel te verminderen, moet u het gereedschap uitschakelen en de accu verwijderen voordat u instellingen doet, of hulpstukken of accessoires monteert of verwijderd. Onbedoelde inschakeling kan letsel veroorzaken.

De lader en accu zijn onderhoudsvrij. Probeer nooit de lader te repareren.

Smering

- Dit elektrische gereedschap heeft geen aanvullende smering nodig.


Reinigen van de lader en accu


 **WAARSCHUWING:** Gevaar op elektrische schok. Neem de stekker van de lader uit het stopcontact voordat u de lader reinigt. U kunt vuil en vet van de buitenkant van de lader verwijderen met een doek of zachte, niet-metalen borstel. Gebruik nooit water of reinigungsoplossingen. Zorg dat er nooit vloeistof in het gereedschap komt, dompel nooit onderdelen van het gereedschap onder in vloeistof.

Opbergen

- Plaats het gereedschap na gebruik in de verpakking.

MILIEUBESCHERMING

 Gooi grondstoffen niet weg maar zorg voor recycling.

 Accessoires en verpakking moeten worden gesorteerd voor milieuvriendelijke recycling.

Gescheiden afvoer. Dit product mag niet worden afgevoerd met huishoudelijk afval.

Accu's en het milieu



Deze machine gebruikt lithium-ion (Li-Ion) accu's. Als een accu vervangen moet worden, raden wij het volgende aan: Ontlaad de accu geheel door deze te gebruiken tot hij leeg is, neem de accu dan van het gereedschap.



Li-Ion cellen kunnen gerecycled worden, gooi ze dus niet weg met huishoudelijk afval. Anders zouden ze in de afvalverbranding of stortplaats terecht kunnen komen - dat moet worden vermeden.

Neem de accu's naar een Trend servicevertegenwoordiger, uw Trend dealer, of een recyclingvoorziening. Neem indien nodig contact op met de gemeente voor informatie over de afvoer. De ingezamelde accu's worden op de juiste wijze afgevoerd en/of gerecycled.

Huishoudelijke gebruikers

Plaatselijke regelgeving voorziet mogelijk in de aparte inzameling van elektrische producten, bij een gemeentelijk milieupunt, of bij de leverancier waar u een nieuw product koopt. Neem contact op met de klantenservice van Trend over advies over de milieuverantwoorde afvoer van overtollige elektrische Trend producten, of bezoek www.trend-uk.com

Bedrijfsmatige gebruikers

Neem contact op met de klantenservice van Trend over de afvoer van overtollige elektrische Trend producten.

GARANTIE

Dit product heeft fabrieksgarantie in overeenstemming met voorwaarden op de bijgesloten garantietafel.

Voor het adres van de dichtstbijzijnde Trend servicevertegenwoordiger kunt u de klantenservice van Trend bellen, of zie www.trend-uk.com

**SE - T18S/CH6A,
T18S/CH6A/E, T18S/
BA2A, T18S/BA4AM,
T18S/BA5A**

Grattis till din nya Trend-produkt. Vi hoppas att du kommer att få många års kreativ och produktiv användning.

Glöm inte att skicka in garantikortet inom 28 dagar efter inköpet.

TEKNISKA DATA

Batteri		
Batterityp		Li-Ion
Batterispänning	VDC	18
Batterikapacitet T18S/BA2A	Ah	2
Batterikapacitet T18S/BA4AM	Ah	4
Batterikapacitet T18S/BA5A	Ah	5
Vikt T18S/BA2A	kg	0.39
Vikt T18S/BA4AM	kg	0.54
Vikt T18S/BA5A	kg	0.67
Laddare T18S/CH6A	kg	0.91
Laddare T18S/CH6A/E	kg	0.86
Laddarens matningsspänning	V	220 - 240
Laddarens nätfrekvens	Hz	50/60
Laddarens eleffekt	W	150
Laddarens utspänning	VDC	21
Laddarens utström	A	6
Laddningstid T18S/BA2A*	min	32
Laddningstid T18S/BA4AM*	min	48
Laddningstid T18S/BA5A*	min	54
*Laddningstiden gäller endast för batteri med kapacitet enligt tabellen		

Säkringar		
Storbritannien och Irland	240 V-verktyg	3A, i kontakter
Europa	230 V-verktyg	10A, nätström

**EG-FÖRSÄKRAN OM
ÖVERENSSTÄMMELSE
ELEKTROMAGNETISK
KOMPATIBILITETSDIREKTIV**



LADDARE (18V, 6A)

**T18S/CH6A
T18S/CH6A/E**

BATTERI (18 V)

**T18S/BA2A - 2Ah
T18S/BA4AM - 4Ah
T18S/BA5A - 5Ah**

Trend intygar härmed att dessa batterier uppfyller väsentliga krav och andra relevanta bestämmelser i Batteridirektivet 2006/66/EG och har utformats i enlighet med EN 62133-2:2017, EN 62841-1:2015.

Trend deklarerar att produkten som beskrivs under Tekniska data överensstämmer med: 2014/35/EU, EN 60335-1:2012+A11+A13+A14+A2, EN 60335-2-29:2004+A2+A11, EN 62233:2008.

Denna produkt uppfyller även direktiven 2014/30/EU och 2011/65/EU.

Om du vill ha mer information kan du kontakta Trend på följande adress eller se baksidan av handboken. Undertecknad gör denna försäkran på uppdrag av Trend Tool Technology Ltd.

Neil McMillan
Technical Director

Trend Tool Technology Ltd,
Odhams Trading Estate,
Watford, WD24 7TR,
England
01/08/2021

Technical File Contact
Trend Tool Technology Ltd,
3rd Floor, Kilmore House,
Park Lane, Spencer Dock,
Dublin 1, Irland



VARNING: Läs bruksanvisningen. Det är viktigt för att du ska kunna minska risken för personskada.

Definitioner: Säkerhetsanvisningar

Definitionerna nedan beskriver allvarlighetsgraden för varje signalord. Läs handboken och var uppmärksam på dessa symboler.



FARA: Indikerar en överhängande farlig situation som, om den inte undviks, **kommer att leda till dödsfall eller allvarlig personskada.**



VARNING: Indikerar en potentiellt farlig situation som, om den inte undviks, **kan leda till dödsfall eller allvarlig personskada.**



VAR FÖRSIKTIG: Indikerar en potentiellt farlig situation som, om den inte undviks, **kan leda till lättare eller lindrig personskada.**



OBSERVERA: Anger en praxis, **inte kopplad till personskada**, som, om den inte undviks, **kan leda till egendomsskador.**



Indikerar risk för elstöt.



Indikerar brandrisk.



SÄKERHETSVARNINGAR:



VARNING: Läs alla säkerhetsvarningar, anvisningar, illustrationer och specifikationer som medföljer detta elverktyg. Underlåtenhet att följa samtliga anvisningar som anges nedan kan leda till elstöt, brand och/eller allvarlig personskada.

SPARA ALLA VARNINGAR OCH ANVISNINGAR FÖR FRAMTIDA REFERENS

Viktiga säkerhetsanvisningar för alla batteriladdare

- Innan du använder laddaren är det viktigt att du läser alla anvisningar och varningsmarkeringar på laddare, batteripaket och produkt som använder batteripaket.



VARNING: Risk för elstöt. Försäkra dig om att det inte kan komma in vätska i laddaren (om det gör det kan följden bli elstöt).



VARNING: Vi rekommenderar att du använder jordfelsbrytare med avsedd för restström 30 mA eller lägre.



VAR FÖRSIKTIG: Risk för brännskada. Ladda endast laddningsbara Trend-batterier (på så sätt minimerar du risken för personskada). Andra typer av batterier kan spricka och orsaka personskada och skada på egendom.



VAR FÖRSIKTIG: Försäkra dig om att barn övervakas så att de inte kan leka med apparaten.

OBSERVERA: Under vissa förhållanden, när laddaren är ansluten till strömförsörjning, kan laddaren kortslutas av främmande material. Främmande material som är elektriskt ledande som till exempel (men inte begränsat till) slipdam, metallspånor, stålull, aluminiumfolie eller ansamling av metallpartiklar måste hållas på säkert avstånd från laddarens håligheter. Koppla alltid bort laddaren från strömförsörjning när det inte finns något batteri i den. Koppla bort laddaren från strömförsörjning innan du rengör den.

- Små barn och svaga personer.** Denna apparat är inte avsedd att användas av små barn eller svaga personer som inte övervakas.
- Denna produkt är inte avsedd att användas av personer (inklusive barn) som lider av nedsatt fysisk, sensorisk eller mental förmåga eller med bristande erfarenhet och/eller kunskap eller färdighet, såvida de inte övervakas av en person som ansvarar för deras säkerhet. Barn får aldrig lämnas ensamma så att de kan leka med den här produkten.
- Försök INTE ladda batteripaketet med andra laddare än de som beskrivs i denna handbok.** Laddare och batteripaket är särskilt avsedda att användas tillsammans.
- Dessa laddare är inte avsedda för andra användningsområden än laddning av laddningsbara Trend-batterier.** Andra användningsområden kan leda till risk för brand, elstöt eller livsfarlig elektrisk stöt.
- Utsätt inte laddaren för regn eller snö.**
- Dra i kontakten (inte i sladden) när du kopplar bort laddaren från strömförsörjning.** (på så sätt minskar du risken för skada på kontakt och sladd).
- Försäkra dig om att sladden är placerad på ett sätt så att det inte finns risk att någon trampar eller snubblar på den eller att den på annat sätt kan utsättas för skada eller påfrestningar.**

- Använd förlängningsladd endast om det är absolut nödvändigt.** Fel typ av förlängningsladd kan orsaka brand, elstöt eller livsfarlig elektrisk stöt.
- Placera inga föremål ovanpå laddaren. Placera inte heller laddaren på en mjuk yta som kan blockera ventilationsöppningar och leda till mycket hög intern värme.** Placera laddaren på säkert avstånd från annan värmekälla. Laddaren ventileras genom öppningar längst upp och längst ned på höljet.
- Använd inte laddaren om dess sladd eller kontakt är skadad** — lämna omedelbart in laddaren för reparation.
- Använd inte laddaren om den har fått ett hårt slag, om den har tappats eller på annat sätt skadats.** Lämna in den till auktoriserat servicecenter.
- Demontera inte laddaren. Ta med den till ett auktoriserat servicecenter vid behov av service eller reparation.** Felaktig montering kan leda till risk för elstöt, livsfarlig elektrisk stöt eller brand.
- Skadad nätsladd måste omedelbart bytas ut av tillverkaren, tillverkarens serviceagent eller liknande behörig person, för att undvika eventuell fara.
- Koppla bort laddaren från vägguttaget innan du rengör den. Detta minskar risken för elstöt.** Det räcker inte att ta bort batteripaketet för att minska risken för elstöt.
- KOPPLA INTE** ihop två laddare.
- Laddaren är avsedd för strömförsörjning med hushållsel (230 V). Strömförsörj den inte med någon annan spänning.** Detta gäller inte för billaddaren.

Försäkra dig om att laddaren står stabilt och säkert. Batteri eller laddare som faller kan utgöra en risk för personskada – både för dig och/eller andra personer.



VARNING: Minska risken för elstöt. Utsätt inte produkten för regn. Förvara den inomhus.

Om nätsladden är skadad måste den av säkerhetsskäl bytas ut av tillverkaren, dennes servicerepresentant eller annan person med liknande kvalifikationer.

Denna apparat får användas av barn från 8 år samt av personer med nedsatt fysisk, sensorisk eller mental förmåga eller brist på erfarenhet och kunskap, om det sker under uppsikt eller om de instrueras om säker användning av apparaten och förstår de faror som är inblandade. Barn får inte leka med apparaten. Rengöring och underhåll får inte utföras av barn utan tillsyn.

Dra ut stickkontakten ur vägguttaget innan du rengör eller underhåller apparaten.

KVARSTÅENDE RISKER

Trots tillämpning av relevanta säkerhetsbestämmelser och implementering av säkerhetsanordningar kan vissa kvarstående risker inte undvikas. Dessa är:

- Hörselnedsättning.
- Risk för personskada på grund av flygande partiklar.
- Risk för brännskada på grund av att tillbehören blir heta under drift.
- Risk för personskada på grund av långvarig användning.

SPARA DESSA INSTRUKTIONER



Elsäkerhet

Elmotorn har konstruerats för endast en spänning. Kontrollera alltid att batteripaketets spänning överensstämmer med den spänning som anges på märkplåten. Försäkra dig också om att laddarens spänning överensstämmer med nätspänningen.



Trend-laddaren är dubbelisolerad i enlighet med EN 60335, och därför behövs ingen jordledning.

Om nätsladden är skadad måste den bytas ut (den får endast ersättas med sladd som Trends serviceorganisation tillhandahåller).

Byte av nätkontakt (endast Storbritannien och Irland)

Om en ny nätkontakt behöver installeras:

- Avfallshandtera den gamla kontakten på korrekt sätt.
- Anslut den bruna ledaren till den strömförande plinten i kontakten.
- Anslut den blå ledaren till neutral plint.



VARNING: Ingen anslutning får utföras till jordplinten.

Följ monteringsanvisningar för kontakten (monteringsanvisningar medföljer kvalitetskontakter). Rekommenderad säkring: 3A.

Använda en förlängningskabel

Använd förlängningsladd endast om detta är absolut nödvändigt. Använd en godkänd förlängningsladd med dimension som är lämplig för laddarens ineffekt (se **tekniska data**). Min. tvärsnittsarea för ledare är 1mm². Max. längd är 30 meter. När du använder en kabeltrumma ska du alltid rulla ut kabeln helt.

Laddare

Trend-laddare behöver inte justeras. De är utformade för att vara så enkla som möjligt att använda.

Laddaren T18S/CH6A är avsedd för Trend-batteripaket (Li-jon, 18 V) (T18S/BA2A, T18S/BA4AM och T18S/BA5A).



WARNING: Ladda endast i kompatibla laddare (18 V). Användning av andra laddare kan leda till brand, skada eller allvarlig personskada.

Kylsystem

Laddaren har en inbyggd fläkt som har till uppgift att kyla ned Laddaren. Använd laddaren endast om fläkten fungerar korrekt och ventilationsöppningarna är fria från hinder. Försäkra dig om att främmande föremål inte kan komma in i laddaren.

Avbrott i laddning vid varmt/kallt batteripaket

När laddaren detekterar att batteripaketet är för varmt eller för kallt avbryter den automatiskt laddningen tills batteripaketet har uppnått korrekt temperatur. Laddaren växlar därefter automatiskt till laddningsläge för batteripaketet. Tack vare den här funktionen kan maximal livslängd för batteripaketet säkerställas.

Elektroniskt skyddssystem

Trend-verktyg med Li-jon-batteri har ett elektroniskt skyddssystem som skyddar batteripaketet mot överbelastning, överhettning eller djupurladdning. Verktyget stängs av automatiskt när det elektroniska skyddssystemet aktiveras.

Batteriladdning inomhus

Laddaren är avsedd att användas inomhus. Vi rekommenderar emellertid att den inte används inomhus i hem. Bäst är det om batterier laddas placerade på en bänk i verkstad, garage eller bod. Om laddningen ska utföras inomhus i hemmamiljö måste området vara väl ventilerat. Försäkra dig om att laddaren placeras på en icke brännbar yta och att ventilationsöppningarna inte är igensatta

Väggmontering

Dessa laddare är avsedda att monteras på vägg eller placeras upprätt på bord eller arbetsyta. Vid väggmontering ska laddaren placeras inom räckhåll för ett vägguttag och på säkert avstånd från hörn eller andra hinder som kan hindra luftflödet. Använd laddarens baksida som mall när du märker upp var fästskruvarna ska placeras på väggen. Montera laddaren säkert med lämpliga fästen för vägg (vi rekommenderar skruvar med huvuddiameter 7–9 mm och längd 25 mm). Skruva i skruvarna så att de sticker ut lagom mycket för att montera laddaren på dem. Rikta in öppningarna på baksidan av laddaren mot skruvarna och haka på öppningarna på skruvarna.



Batteripaket

Viktiga säkerhetsanvisningar för alla batteripaket

När du beställer ersättningsbatteripaket är det viktigt att du anger produktpreferens och spänning.

Batteripaketet levereras inte fulladdat. Läs säkerhetsanvisningarna nedan innan du använder batteripaketet och laddare. Följ därefter angivet laddningsförfarande.

LÄS ALLA ANVISNINGAR

- **Ladda/använd inte batteri i explosionsfarlig miljö, till exempel i närheten av brandfarliga vätskor, gaser eller damm.** Damm eller ångor kan antändas när batteriet sätts i eller tas ut ur laddaren.
- **Tvinga inte i batteripaketet i laddaren. Modifiera inte batteripaketet på något sätt för att det ska passa i en ej kompatibel laddare (batteripaketet kan gå sönder och orsaka allvarlig personskada).**
- Ladda batteripaketet endast i Trend-laddare.
- **UNDBIK** att stänka ned med eller sänka ned i vatten eller annan vätska.
- **Förvara eller använd inte verktyg och batteripaket på platser där temperaturen kan sjunka under 4°C (till exempel i utomhusskjul eller metallbyggnader på vintern) eller som kommer upp i eller överstiger 40°C (till exempel utomhusskjul eller metallbyggnader på sommaren).**
- **Elda inte upp batteripaketet – även om det är allvarligt skadat eller helt utslitet.** Batteripaketet kan explodera om det utsätts för eld. Giftiga ångor och material genereras när litiumjonbatteripaketet brinner.
- **Tvätta omedelbart hud som har kommit i kontakt med batterivätska med mild tvål och vatten.** Om du får batterivätska i ögon sköljer du i rikligt med vatten i 15 minuter eller tills irritationen upphör. Om du behöver läkarvård är det viktigt att du kan informera läkaren om vad batterielektrolyten består av: Den består av en blandning av flytande organiska karbonater och litiumsalter.
- **Innehållet i öppnade battericeller kan orsaka irritation i andningsvägar.** Uppsök frisk luft. Om symtomen kvarstår uppsöker du läkare.



WARNING: Risk för brännskada. Batterivätska kan vara brandfarlig om den utsätts för gnista eller låga.



WARNING: Försök inte öppna batteripaketet. Om batteripaketets hölje är sprucket eller skadat får du inte sätta i det i laddaren. Var försiktig så att du inte krossar, tappar eller skadar batteripaketet. Använd inte batteripaketet eller laddare som har utsatts för hårt slag, tappats, körts över eller skadats på något sätt (till

exempel punkterats med en spik, utsatts för hammarslag eller trampats på). Om du gör det kan följden bli elstöt eller livsfarlig elektrisk stöt. Lämna in eventuellt skadat batteripaket till servicecenter för återvinning.



WARNING: Brandris Förvara eller bär inte batteripaketet så att metallföremål kan komma i kontakt med exponerade batteripoler. Placera till exempel inte batteripaketet i förkläde, fickor, verktygslåda, produktlåda, lådor eller liknande där det förvaras lösa spikar, skruvar, nycklar etc.



VAR FÖRSIKTIG: När verktyget inte används placeras du det på sidan på en stabil yta där det inte kan utgöra en snubbel- eller fallrisk. Vissa verktyg med stora batteripaket står upprätt på batteripaketet, men kan lätt vältras om de stöts till.

Transport



WARNING: Brandrisk. Vid transport av batterier kan brand uppkomma om batteripolerna råkar komma i kontakt med elektriskt ledande material. Försäkra dig vid transport av batterier om att batteripolerna är skyddade och säkert isolerade från material som kan komma i kontakt med dem och orsaka kortslutning.

OBS! Litiumjonbatterier får inte placeras i lastrumsbagage.

Trend-batterier uppfyller alla tillämpliga fraktbestämmelser enligt branschstandarder och rättspraxis inklusive FN:s rekommendationer om transport av farligt gods, IATA:s bestämmelser för transport av farligt gods, IMDG-bestämmelser (International Maritime Dangerous Goods) och den europeiska överenskommelsen om internationell transport av farligt gods på väg (ADR). Litiumjunceller och -batterier har testats enligt avsnitt 38.3 i FN:s testhandbok (Transport of Dangerous Goods Manual of Tests and Criteria). I de flesta fall förväntas frakt av Trend-batteripaket att undantas från klassificering fullt reglerad transport enligt klass 9. I allmänhet behöver endast leveranser som innehåller litiumjonbatteri med energiklassificering högre än 100 Wh (wattimmar) fraktas som fullt reglerad transport enligt klass 9.

Alla förpackningar med litiumjonbatterier märks med antal wattimmar (Wh). På grund av komplexa bestämmelser rekommenderar Trend att litiumjonbatteripaket inte flygfraktas ensamt, oberoende av dess wattimmar. Frakt av verktyg med batterier (kombinerade satser) kan flygfraktas som undantag om batteripaketets wattimmar inte överstiger 100 Wh.

Oavsett om en frakt betraktas som undantagen eller fullt reglerad är det avsändarens ansvar att kontrollera giltiga bestämmelser gällande förpackning, märkning och dokumentation.

Vi tillhandahåller informationen i detta avsnitt i handboken i god tro med övertygelsen att den är korrekt vid tidpunkten då dokumentet upprättades. Vi lämnar ingen garanti, varken uttrycklig eller underförstådd. Det är köparens ansvar att säkerställa att hans/hennes verksamhet följer gällande bestämmelser.

Förvaringsrekommendationer

Rekommenderad förvaringsplats ska vara sval och torr, där det inte förekommer direkt solljus eller extrema temperaturer (mycket varmt eller kallt). Förvara batteripaketet i rumstemperatur när de inte används (på så sätt säkerställs optimal prestanda och livslängd).

Vid långvarig förvaring rekommenderar vi att du förvarar fulladdat batteripaket på en sval och torr plats utanför laddaren (detta är optimala förhållanden för batteripaketet).

OBS: Batteripaketet får inte förvaras helt urladdade. Batteripaketet måste laddas innan det används.

Etiketter på laddare och batteripaket

Förutom de piktogram som används i denna handbok kan etiketter på laddare och batteripaket visa följande piktogram:



Läs handboken före användning.



Se tekniska data för laddningstid.



Batteriladdning.



Batteri laddat.



Batteri defekt.



Fördröjd uppladdning (Batterikylning eller för kallt batteri).



Undersök inte med ledande föremål.



Ladda inte skadade batteripaket.



Exponera inte för vatten.



Byt ut defekta sladdar omedelbart.



Ladda endast i temperatur mellan 4°C and 40°C.



Avsett endast för inomhusbruk.



Li-Ion Kassera batteripaketet på ett miljövänligt sätt.



Elda inte upp batteripaketet.

OBJEKT SOM MEDFÖLJER

1 x batteriladdare
1 x handbok

OBS: Batteripaket och laddare medföljer inte B-modeller.

- Kontrollera om det finns skador på verktyget, delar eller tillbehör som kan ha inträffat under transport.
- Ta dig tid att noggrant läsa igenom och få koll på anvisningarna i den här handboken före användning.

Datumkod position

Tillverkningsåret indikeras på märkplåten.

BESKRIVNING AV DELAR - (Fig. 1)

- A. Batteriskenor
- B. Frigöringsknapp för batteri
- C. Indikator för batteriets laddningsnivå
- D. Indikatorknapp för batteriets laddningsnivå
- E. Batteriport för laddare
- F. Indikatorlampor för laddare
- G. Nätkontakt

AVSEDD ANVÄNDNING

Laddaren Trend T18S/CH6A är avsedd för laddning av Trend-batteripaket med litiumjonbatteri (18 V) av typen T18S/BA2A, T18S/BA4AM och T18S/BA5A.

ANVÄND INTE under våta förhållanden eller i närheten av brandfarliga vätskor eller gaser.

LÅT INTE barn röra laddaren. Övervakning krävs när oerfarna användare använder denna laddare.

- **Små barn och svaga personer.** Denna apparat är inte avsedd att användas av små barn eller svaga personer som inte övervakas.
- Denna produkt är inte avsedd att användas av personer (inklusive barn) som lider av nedsatt fysisk, sensorisk eller mental förmåga
- eller med bristande erfarenhet och/eller kunskap eller färdighet, såvida de inte övervakas av en person som ansvarar för deras säkerhet. Barn får aldrig lämnas ensamma så att de kan leka med den här produkten.
- Använd endast laddningsbara batterier i den här laddaren.

Batterityp	Spänning	Cell	Kapacitet
T18S/BA2A	18	5 x Li-Ion	2.0 Ah
T18S/BA4AM	18	5 x Li-Ion	4.0 Ah
T18S/BA5A	18	10 x Li-Ion	5.0 Ah

DRIFT



Batteriets laddningsnivå - (Fig. 2 - 2a)

Tryck på indikatorknapp för laddningsnivå för att visa batteriets återstående laddning.

OBS: Indikator för batteriets laddningsnivå visar endast en indikation på batteripaketets återstående laddning. Den indikerar inte verktygets funktion och kan variera beroende på produktkomponenter, temperatur och användarens tillämpning av det.

Självladdning

Ett litiumbatteri kan självladdas och förlora sin laddning. Vanligtvis kan det förlora cirka 5 % av sin laddning under den första månaden efter fulladdning (när det förvaras i rumstemperatur) och sedan ytterligare 3 % per månad. Vid förvaring vid högre temperaturer ökar takten för självladdningen.

Laddning av batteri och drift - (Fig. 4 & 4d)



- Batteripaketet för detta verktyg har fraktats i ett tillstånd med låg laddningsnivå, för att förhindra eventuella problem. Därför ska du ladda det tills den gröna lysdioden på den främre högra sidan av laddaren lyser.
- **OBS:** Batterierna kan inte fulladdas den första gången de laddas. Det krävs flera cykler (användning följd av laddning) för de ska bli fulladdade.
- Läs säkerhetsanvisningarna och ladda därefter enligt laddningsanvisningar.
- Anslut laddaren till ett standardvägguttag (230 VAC, 50 Hz) (den gröna lysdioden på laddarens vänstra framsida tänds).
- Försäkra dig om att sladden inte har knutar eller är böjd.
- Placera batteripaketet i laddaren (batteriet har ribbor som gör att det kan placeras endast på ett sätt i laddaren). Det finns tre laddningstider: 32, 48 och 54 minuter.
- Den röda lysdioden på laddarens främre högra sida tänds för att indikera att laddning pågår. En grön lysdiod tänds när batteriet är fulladdat.
- Koppla bort laddaren från strömförsörjning när den inte används och förvara den i ett lämpligt förvaringsskåp.
- Ladda inte batteriet i minusgrader (eftersom laddningseffekten då inte är tillräcklig).
- Om du laddar mer än ett batteripaket i följd måste laddaren få svalna i minst 30 minuter innan du laddar ett nytt batteri.
- Ta alltid ut batteripaketet och förvara det på ett säkert sätt när verktyget inte används.



VAR FÖRSIKTIG: Om ingen lysdiod lyser någon gång under laddning tar du ut batteripaketet ur laddaren (det finns risk att produkten skadas annars). Sätt **INTE** i ett annat batteri.

Sätta i batteripaketet i och ta ut det från verktyget - (Fig. 3 - 3a)



OBS: Försäkra dig om att batteripaketet är fulladdat.

OBS: För att undvika allvarlig personskada måste du alltid ta ut batteripaketet och hålla händerna borta från låsknappen när du bär eller transporterar verktyget.

Felaktig installation av batteripaket kan orsaka skador på interna komponenter.

Montera batteripaket i verktygshandtaget - (Fig. 3)

- Rikta in batteripaketet med skenorna på insidan av överfräsens batteriport.
- Sätt i batteripaketet i batteriporten tills det sitter ordentligt (försäkra dig om att du kan höra låset snäppa fast).

Ta bort batteripaket från verktyg - (Fig. 3a)

- Tryck på frigöringsknappen och dra ut batteripaketet ur batteriporten.
- Sätt i batteripaketet i laddaren enligt beskrivning i avsnitt om laddare i denna handbok.

UNDERHÅLL



Använd endast originalreservdelar och -tillbehör från Trend.

Elverktyget har utformats så att det ska kunna användas under en lång tidsperiod med minimalt underhåll. Verktyget måste hanteras korrekt och rengöras regelbundet för att fungera felfritt.



VARNING: Risk för allvarlig personskada! Stäng av verktyget och koppla bort batteripaketet innan du utför någon justering eller borttagning/installation av tillbehör. Oavsiktlig start kan leda till personskada.

Laddaren och batteripaketet går inte att serva. Försök inte reparera laddaren.

Smörjning

- Elverktyget behöver ingen ytterligare smörjning.

Anvisningar gällande rengöring av laddare och batteri



VARNING: Risk för elstöt. Koppla bort laddaren från vägguttaget före rengöring. Smuts och fett kan avlägsnas från laddarens utsida med en trasa eller en mjuk borste (ej metallborste). Använd inte vatten eller

rengöringsmedel. Försäkra dig om att det inte kommer in vätska i verktyget och doppa inte någon del av verktyget i vätska.

Förvaring

- Lägg tillbaka verktyget i dess förpackning efter varje användning.

MILJÖSKYDD



Återvinn råmaterial istället för att kassera det som avfall. Sortera tillbehör och förpackningar för miljövänlig återvinning.

Separat insamling. Produkten får inte kasseras tillsammans med vanligt hushållsavfall.

Batterier och miljö



I denna enhet används litiumjonbatterier (Li-jon). Vi rekommenderar att du följer nedanstående anvisningar vid byte av batteripaket: Töm batterier på energi genom att köra maskinen tills batteriet är helt slut. Ta därefter ut det från verktyget.

Litiumjonceller kan återvinnas, så kasta inte litiumjonbatteri i hushållsavfall. Om du gör det kan de hamna i en sopförbränningsanläggning eller på en soptipp, vilket måste undvikas.

Ta istället med batterier till Trends serviceagent, din lokala Trend-återförsäljare eller en lokal återvinningsstation. Kontakta vid behov kommunen och be om information om avfallshantering. Insamlade batterier kasseras på korrekt sätt och/eller används för återvinning.

Hushållsanvändare

Lokala bestämmelser kan föreskriva separat insamling av elektriska produkter från hushåll, vid kommunala avfallsanläggningar eller av återförsäljaren när du köper en ny produkt. Ring Trends kundtjänst om du vill ha råd om hur du kasserar Trend-produkter på ett miljövänligt sätt eller besök www.trend-uk.com

Företagsanvändare

Ring Trends kundtjänst för kassering av elektriska Trend-produkter.

GARANTI

Enheten har en tillverkargaranti i enlighet med villkor på bifogat garantikort.

För information om din närmaste Trend-serviceagent, kontakta Trends kundtjänst eller se vår lista över återförsäljare på www.trend-uk.com



Trend Tool Technology Ltd.
Watford, WD24 7TR, England
Tel: 0044(0)1923 249911
technical@trendm.co.uk
www.trend-uk.com

EU Importer:
Trend Tool Technology Ltd.
3rd Floor, Kilmore House, Park Lane, Spencer Dock,
Dublin 1, Ireland

© Trend Tool Technology Ltd. 2021.
® All trademarks acknowledged E&OE



RECYCLABLE

No part of this publication may be reproduced, stored or transmitted in any form without prior permission. Our policy of continuous improvement means that specifications may change without notice. Trend Tool Technology Ltd, cannot be held liable for any material rendered unusable, or for any for of consequential loss. E&OE.



MANU/T18S/CHBA v2.0