



INSTRUCTIONS FOR:  
**GANTRY CRANE ADJUSTABLE 1TONNE**  
 MODEL No: **SG1000**

Thank you for purchasing a Sealey product. Manufactured to a high standard this product will, if used according to these instructions and properly maintained, give you years of trouble free performance.

**IMPORTANT: PLEASE READ THESE INSTRUCTIONS CAREFULLY. NOTE THE SAFE OPERATIONAL REQUIREMENTS, WARNINGS AND CAUTIONS. USE THE PRODUCT CORRECTLY AND WITH CARE FOR THE PURPOSE FOR WHICH IT IS INTENDED. FAILURE TO DO SO MAY CAUSE DAMAGE AND/OR PERSONAL INJURY AND WILL INVALIDATE THE WARRANTY. PLEASE KEEP INSTRUCTIONS SAFE FOR FUTURE USE.**



Refer to  
 instruction  
 manual

## 1. CONTENTS

	Page No.
Section 2. General . . . . .	1.
Section 2.1 Identification . . . . .	1.
Section 2.2. Technical Data . . . . .	1.
Section 3. Safety Instructions . . . . .	1.
Section 4. Assembly . . . . .	2.
Section 5. Operating Instructions . . . . .	2.
Section 6. Maintenance/Inspection/Examination . . . . .	3.
Section 7. Owner's an Operator's Responsibilities . . . . .	3.
Section 8. Declaration of Conformity . . . . .	4.
Section 9. Parts List and Diagram . . . . .	5.

## 2. GENERAL

### 2.1. Identification

Supplier: Sealey Power Products,  
 Kempson Way,  
 Suffolk Business Park,  
 Bury St Edmunds,  
 Suffolk, IP32 7AR.

Model No: SG1000

### 2.2. Technical Data.

#### Rated Capacity

Working Load Limit (WLL) 1tonne (tested to 50% overload).  
 Maximum Lift Height: . . . . . 3600mm  
 Minimum Lift Height: . . . . . 2400mm  
 Gantry Width . . . . . 2400mm  
 Maximum Depth . . . . . 1200mm  
 Maximum Lifting Capacity . . . . . 1000kg  
 Weight: . . . . . 128kg



## 3. SAFETY INSTRUCTIONS

- ✓ **Keep** gantry crane, chain block, trolley, lifting slings, support and beams in good working order and condition. Follow the inspection requirements as described in Section 6, Maintenance. *Take immediate action to repair or replace damaged parts by contacting your supplier. Ensure that all accessory lifting devices are suitably certified. If gantry is damaged, remove from service immediately.*
- ✓ **Ensure the surface on which the gantry crane is to be used is level, firm and capable of supporting the weight of the gantry crane with maximum load - we recommend concrete. Never use the gantry on tarmacadam or other soft surfaces, as the gantry may sink in.**
- ✓ **Keep** children and unauthorised persons away from the working area.
- ✓ **Keep** working area clean and tidy, free from unrelated materials and ensure that there is adequate lighting.
- ✓ **Ensure** that load (including the weight of the chain block and trolley) does not exceed the maximum lifting capacity of the gantry crane. Overloading the gantry crane is dangerous.
- ✓ **To** avoid injury, be fully aware of your own and other persons locations in relation to the lifting, and lowering, of the load.
- ✓ **Keep** a sound footing and balance, and ensure the floor is not slippery, and wear non-slip footwear.
- ✓ **Ensure** that crossbeam is level.
- ✗ **DO NOT** attempt to alter crossbeam height whilst under load.
- ✗ **DO NOT** harness the load at an angle or use any attachments not verified as fit for purpose.
- ✗ **DO NOT** allow the load to swing during lifting.
- ✗ **DO NOT** allow the load to drop suddenly. Lower load with care, ensuring that you are fully aware of the condition of the surface onto which the load is to be placed.
- ✗ **DO NOT** position any part of your body beneath the load.
- ✗ **DO NOT** use the gantry crane to move or transport a load. The gantry crane is a lifting support device only.
- ✗ **DO NOT** use this product to perform a task for which it is not designed.
- ✗ **DO NOT** use whilst under the influence of drugs, alcohol or intoxicating medication.
- ✗ **DO NOT** climb on the gantry crane.
- ✓ **When** not in use store in a safe, dry, childproof area.
- ✓ **This gantry crane is designed for lifting within a garage or workshop environment.**
- ☐ **WARNING!** Failure to heed safety and warning instructions may result in damage and/or personal injury and will invalidate the warranty.

## 4. ASSEMBLY INSTRUCTIONS

**Note: Numbers in brackets refer to item numbers as shown in the parts diagram (Section 9, page 5).**

- **WARNING** Certain of the assembly procedures require two or more persons to carry out safely.
- × **DO NOT** tighten fastenings fully until the assembly process is complete. It may be more convenient to clear a large area and lay out the various parts on the ground before tightening and erecting.
- a) Attach a Plate (20) to either side of the Crossbeam (19) by bolts (1), washers (2), spring washers (3) and nuts (4). Repeat for the other end of the crossbeam.
- b) Attach each Inner Vertical Posts (21) to the crossbeam (19) by eight sets of bolts, washers, spring washers and nuts (1,2,3,4)
- c) Attach the four Swivel Castors (27) to the Bases (26) by means of bolts (15), spring washers (16) and nuts (17). Fill the swivel bearing housings with grease via the grease nipple.
- d) Attach the Outer Vertical Posts (23) to the bases making sure that the triangular brackets are on the same side as those on the bases. Fit the bolts (14) from above and secure with washer (2), spring washer (3) and nut (4).
- e) Affix the Support Tube (22) between the base and the outer vertical post by means of bolt (5), washer (6), spring washer (7) and nut (8). Repeat for remaining support tubes.
- f) Place inner vertical post into outer vertical post. Insert one of the pins through the slot and a hole in the inner support post. Leave the other pin free. Attach the Lifting Lever (24) to the bracket on the outside of the outer vertical post, affix by inserting bolt (10) from the inside of the bracket and securing with washer (14) spring washer (15) and nut (11). Repeat for other upright, using the corresponding hole on each post.
- g) Attach Lifting Hook (25) to lifting lever by 13mm nuts and bolts.
- h) Insert Locking Screws (9) into outer vertical posts.
- i) Tighten all nuts and bolts to secure structure.

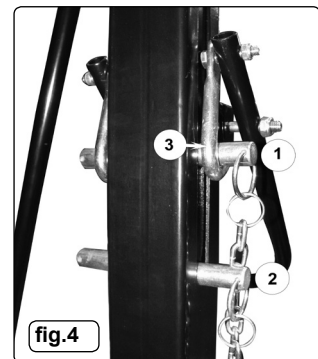
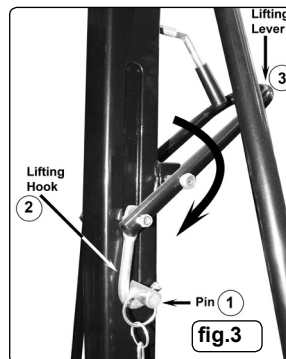
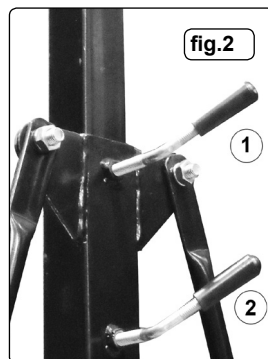
## 5. OPERATING INSTRUCTIONS



**NOTE: ENSURE YOU HAVE READ AND UNDERSTOOD THE SAFETY INSTRUCTIONS AT THE BEGINNING OF THIS SECTION BEFORE YOU OPERATE THE GANTRY.**

**OPERATION. (Refer to Section 6 regarding inspection before each and every use).**

- a) Mount the trolley on the crossbeam, following the assembly instructions supplied with the trolley. (see fig.1)
- b) Hang a suitable chain block from the trolley.
- c) **Lifting and Lowering Crossbeam.**  
**DO NOT ALTER CROSSBEAM HEIGHT WHILST UNDER LOAD.** This operation should be carried out using two people in order to synchronize the lifting/lowering operation.
- d) **To Lift (see fig.3):\***  
Ensure that the pin is in the lower location on each side.  
Loosen the two clamping screws on each side (fig.2.1 & 2)  
Engage the lifting hook (fig.3.2) with the pin in the lower location on each side. (fig.3.1)  
Lift the lower pin, by pressing down on the outer ends of the lifting levers (fig.3.3).  
When the next locating hole appears in the slot insert the other pin in it (thus becoming the lower pin) and lower gently until it is bearing weight (fig.4). Repeat until the required height is reached. (13 holes are provided).  
Clamp the uprights by tightening the clamping screws (fig.2.1 & 2).  
Loosen the clamping screws. (fig.2.1 & 2)  
Place pin in the upper hole location. (fig.4.1)  
Engage the lifting hook with the upper pin. (fig.4.3)  
Using lifting handles, lift top pin to release the weight on the lower pin. (fig.4.2)  
Remove lower pin (fig.4.2) and lower the upper pin (fig.4.1) gently to the lower location.  
Repeat until the required height is reached.  
Clamp the uprights by tightening the clamping screws. (fig.2.1 & 2).  
\*This operation should be performed in unison on both uprights to ensure that the crossbeam stays level.
- f) **Positioning Gantry Crane:**  
Release the wheel brakes and roll the gantry crane into the required position and re-apply the brakes. **NOTE: THIS GANTRY CRANE IS NOT DESIGNED TO BE MOVED WHILST UNDER LOAD.**
- g) Ensure that the lifting chain and chain tail from the chain block are not hanging in a hazardous or damaging position.
- h) Attach lifting hook from chain block to the load by means of a suitable **CERTIFIED** sling, spreader or load beam.
- i) Start lifting, again making sure that the lift is perpendicular with no side strains.
- j) When clear, the load may be rolled along the length of the crossbeam to a new location then lowered.



## 6. MAINTENANCE / INSPECTION/ EXAMINATION

**NOTE:** The gantry **MUST** be kept clean and dry and must be maintained in accordance with these instructions.

- a) The gantry crane should be maintained at regular intervals not exceeding every twelve months.
- b) Only trained and competent personnel should maintain this equipment.
- c) **Inspection:**  
The gantry crane should be inspected visually before each use for signs of damage or misuse. The gantry must not be used until any abnormality is rectified.
- d) **Examination:**  
At suitable intervals, dependent on the use to which the gantry is put, examine all parts for damage or wear and lubricate where necessary. Replace any suspect or missing parts. Check that all fastenings are tight before the gantry is put back into use.
- e) **STORAGE.**  
Store in a safe, dry location beyond the reach of children.

## 7. OWNER'S & OPERATOR'S RESPONSIBILITIES

*The owner and/or operator shall study these instructions and retain them for future use.*

- a) **Understanding instructions and warnings.**  
The owner and/or operator shall understand the operating instructions and warnings before operating the gantry. Warning information must be emphasised and understood.  
If the operator is not fluent in English, the product instructions and warnings must be read to, and discussed with, the operator in the operator's native language by the owner, making sure the operator understands the contents.
- b) **Damaged Gantry.**  
Any gantry which appears to be damaged, badly worn, or operates abnormally **MUST BE REMOVED FROM SERVICE!** It is recommended that necessary repairs be made by an authorised service agent.



### ENVIRONMENT PROTECTION

Recycle unwanted materials instead of disposing of them as waste. All tools, accessories and packaging should be sorted, taken to a recycling centre and disposed of in a manner which is compatible with the environment. When the product becomes completely unserviceable and requires disposal, drain any fluids (if applicable) into approved containers and dispose of the product and fluids according to local regulations.

**Note:** It is our policy to continually improve products and as such we reserve the right to alter data, specifications and component parts without prior notice.

**Important:** No Liability is accepted for incorrect use of this product.

**Warranty:** Guarantee is 12 months from purchase date, proof of which is required for any claim.

Sealey Group, Kempson Way, Suffolk Business Park, Bury St Edmunds, Suffolk. IP32 7AR



01284 757500



01284 703534



sales@sealey.co.uk



www.sealey.co.uk

**8. DECLARATION of CONFORMITY**



**EC DECLARATION OF CONFORMITY**

Description and Function: **Portable Gantry Crane Adjustable 1tonne**

Model/Type: **SG1000 v1**

Manufacturing Date/Serial Number (optional):

- 2006/42/EC Machinery Directive
- 2014/35/EU Low Voltage Directive
- 2014/30/EU EMC Directive
- 2009/125/EC Ecodesign Requirements
- 2009/142/EC Gas Appliance Directive
- 2014/29/EU Simple Pressure Vessels Directive
- 2000/14/EC Noise Emission in the Environment Directive
- 2012/19/EU WEEE Directive
- 2011/65/EU RoHS Directive
- 2014/68/EU Pressure Equipment Directive
- 89/686/EEC PPE Directive
- 2014/53/EU RTTE Directive

Manufacturer's authorised representative within the EC: **Jack Sealey Ltd, Kempson Way, Suffolk Business Park, Bury St Edmunds, Suffolk. IP32 7AR**

Conforms to the requirements of the Directives, as indicated.

And the following harmonised standard(s)

EN ISO 12100:2010

EN 15011:2011

.....  
.....  
.....  
.....  
.....  
.....  
.....

Technical file compiled by: **Jack Sealey Ltd**

**Being the responsible person appointed by the manufacturer.**

Signed:

Date: 05 January 2017

Name: Steve Buckle.

Position: Marketing Director.

Place: Bury St Edmunds

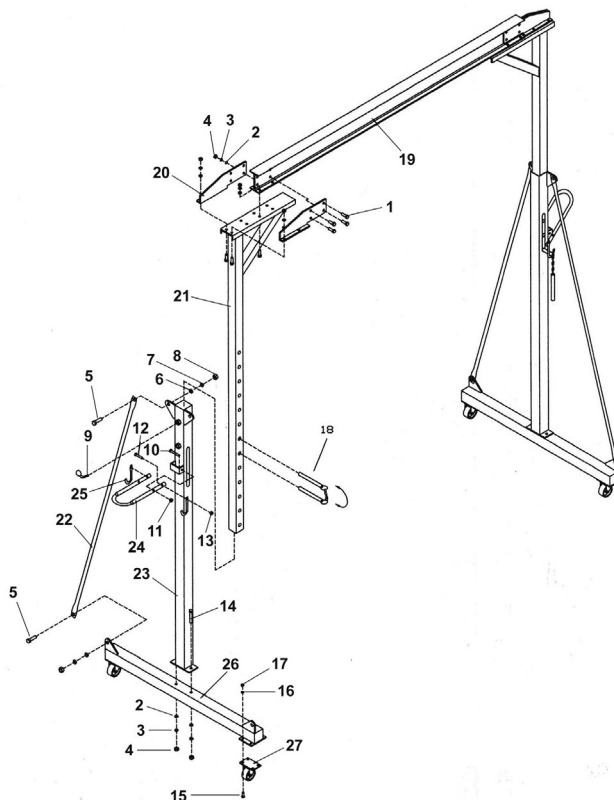
**Sealey Power Products** Kempson Way,  
Suffolk Business Park, Bury St Edmunds,  
Suffolk. IP32 7AR

01284 757500 01284 703534 sales@sealey.co.uk www.sealey.co.uk

## 9. PARTS LIST



Parts Information:  
**Portable Gantry Crane Adjustable 1tonne**  
**Model No: SG1000**



Item	Part No.	Description
1	SG1000.01	BOLT (M12x35)
2	FWM12.S	FLAT WASHER M12 SINGLE
3	SWM12.S	SPRING WASHER M12 ZINC (SINGLE)
4	SN12.S	STEEL NUT M12 ZINC DIN934(SINGLE)
5	SG1000.05	BOLT M14x40 C/W WASHER
6	FWM12.S	FLAT WASHER M12 SINGLE
7	SWM14.S	SPRING WASHER M14 ZINC (SINGLE)
8	SN14.S	STEEL NUT M14 ZINC DIN934(SINGLE)
9	SG1000.09	BOLT (M12)
10	HHB1060.S	HEX HEAD BOLT M10x60mm SINGLE
11	SN10.S	STEEL NUT M10 ZINC DIN934(SINGLE)
12	SG1000.12	SET SCREW M8x40(INC M8 NYLOC NUT)
13	SN8.S	STEEL NUT M8 ZINC DIN934 (SINGLE)
14	SG1000.14	HEX HEAD BOLT M12X100 (NLA)

Item	Part No.	Description
15	SS1030.S	HEX HEAD SET SCREW M10x30mm SINGLE
16	SWM10.S	SPRING WASHER M10 ZINC (SINGLE)
17	SG1000.17	NUT (M10) c/w WASHER
18	SG1000.18	PIN ASSY.
19	SG1000.19	CROSSBEAM
20	SG1000.20	PLATE (A)
--	SG1000.20B	PLATE (B) (NOT SHOWN)
21	SG1000.21	INNER VERTICAL POST
22	SG1000.22	SUPPORT TUBE
23	SG1000.23	OUTER VERTICAL POST
24	SG1000.24	HANDLE
25	SG1000.25	PIN
26	SG1000.26	BASE ASSEMBLY
27	SG1000.27	WHEEL,CASTOR (125x15x50x165)

**NOTE:** It is our policy to continually improve products and as such we reserve the right to alter data, specifications and component parts without prior notice.

**IMPORTANT:** No liability is accepted for incorrect use of product.

**WARRANTY:** Guarantee is 12 months from purchase date, proof of which will be required for any claim.

Sealey Group, Kempson Way, Suffolk Business Park, Bury St Edmunds, Suffolk. IP32 7AR



01284 757500



01284 703534



sales@sealey.co.uk



www.sealey.co.uk