



INSTRUCTIONS FOR:

## ELECTRONIC KEY CABINETS

MODEL NO's: **SEKC25, SEKC50, SEKC100**

Thank you for purchasing a Sealey product. Manufactured to a high standard, this product will, if used according to these instructions, and properly maintained, give you years of trouble free performance.



**IMPORTANT: PLEASE READ THESE INSTRUCTIONS CAREFULLY. NOTE THE SAFE OPERATIONAL REQUIREMENTS, WARNINGS & CAUTIONS. USE THE PRODUCT CORRECTLY AND WITH CARE FOR THE PURPOSE FOR WHICH IT IS INTENDED. FAILURE TO DO SO MAY CAUSE DAMAGE AND/OR PERSONAL INJURY AND WILL INVALIDATE THE WARRANTY. KEEP THESE INSTRUCTIONS SAFE FOR FUTURE USE.**

### 1. SAFETY

- WARNING!** These cabinets are heavy and care should be exercised in transit and handling to ensure that no one is injured.
- WARNING!** These key cabinets are a 2 person job for installation.
- ✓ For maximum security, these cabinets must be securely fixed to a wall.
- ✓ Ensure that any wall used is sufficiently strong to carry the weight of the cabinet and its contents.
- ✗ **DO NOT** install in areas where damp and condensation are present.
- WARNING!** The warnings, cautions and instructions referred to in this instruction manual cannot cover all possible conditions and situations that may occur. It must be understood that common sense and caution are factors which cannot be built into this product, but must be applied by the operator.

### 2. INTRODUCTION

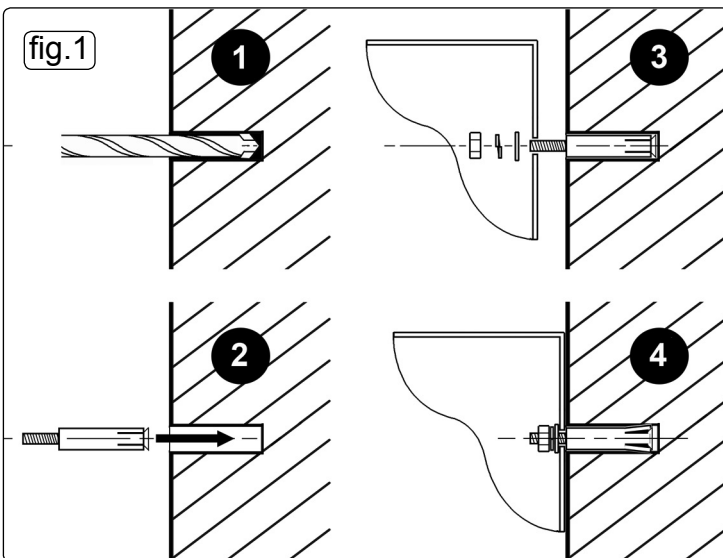
Heavy-duty construction with twin locking bolts. Simple to operate electronic keypad accepts numbers of between three and eight digits, giving millions of combinations. Three LEDs show security, power and operating status.

Also supplied with two keys for manual override should batteries fail. Numbered, colour coded hook bars are adjustable to suit varying key sizes. Includes anchor bolts.

- **CAUTION:** If you, or an intruder, uses an incorrect group of numbers, the cabinet will not open and a yellow light will illuminate. Entering an incorrect PIN 3 times will freeze the system for 20 seconds.
- Keep the cabinet key and any record of the combination separate from the cabinet and unidentified.

### 3. INSTALLATION

- 3.1. Consideration should be given to the placing of the cabinet to ensure that it is placed in a discreet location and will not be easily found by intruders.
- 3.2. Each cabinet is supplied with four anchor bolts suitable for fixing to brick and concrete.
- 3.3. Fixing to hollow partition walls is not recommended. If fixed to wood it must be to a solid wooden structure.
- 3.4. Open the door of the cabinet (**see 4.1 / 4.3 for opening instructions**) and with the help of a second person, position it where required and mark the mounting positions through the pre-drilled holes in the back of the cabinet.
- 3.5. When mounting to a wall, ensure that the cabinet is adequately supported during the marking process.
- 3.6. Drill 10mm holes to a depth of 38mm (fig.1.1) and insert the anchor bolts with nuts and washers removed (fig.1.2).
- 3.7. Position the cabinet over the four protruding mounting studs and support it there whilst placing a washer, split washer and nut onto each stud (fig.1.3).
- 3.8. Continue to support the cabinet whilst tightening the fixings (fig.1.4).



## 4. OPERATION

### 4.1. Key operation.

4.1.1. For the first opening or if you forget your combination, you can use the manual override key: **DO NOT** keep override key in cabinet. The override lock is situated under the logo panel in the centre of the main control panel. Prise out the panel using a small screwdriver. Insert key and turn knob and the cabinet will be unlocked. Snap panel back into place afterwards.

4.1.2. Please make a note of the key number which can be found on the key or on the barrel in the cabinet.

### 4.2. Entering a new combination.

**The combination must consist of between 3 and 8 numbers and should be safely recorded before being entered into the cabinet electronics.**

4.2.1. Open cabinet using the override key

4.2.2. Insert 4 x AA batteries, ensuring correct polarity.

4.2.3. Press the red button on the inside of the door near the hinges.

4.2.4. Now enter your personal combination (3-8 numbers), and then press the letter 'B' to confirm your combination. A beep will sound for each key pressed. After the letter "B" is pressed, the green light will show to indicate your success. Be sure to record this combination immediately, so you do not forget.

### 4.3. Opening.

4.3.1. To open the door of the cabinet enter your personal combination, then the letter 'B' to confirm.

4.3.2. Within 5 seconds of correct combination entry turn knob to open the cabinet door.

4.3.3. If the cabinet re-locks, enter combination again. Don't forget to press the letter 'B' after entering the combination.

**NOTE! After entering the correct combination, if you do not open the door within 5 seconds it will re-lock.**

**NOTE! If the incorrect combination is used 3 times the system will freeze for 20 seconds.**

### 4.4. Low battery warning and replacement.

4.4.1. If red light shows in the top right of the control panel this indicates low batteries. Change batteries by opening the cabinet and removing them from the back of the door. Then replace all batteries with new ones.

4.4.2. If the keypad does not work because the batteries in the cabinet are exhausted, use the override key to open the cabinet, and then replace all batteries.

### 4.5. Lost keys.

4.5.1. Should you lose your keys, we can supply replacements. To order these please contact our sales office on 01284 757500 and quote the unique number on the key cabinet lock. We will also require a copy of your purchase invoice for the key cabinet to confirm that you are the owner.

Please note that replacement keys are special order only (we do not carry these in stock for security reasons) and as such they can take 14 – 28 days to arrive.



#### Environmental Protection

Recycle unwanted materials instead of disposing of them as waste. All tools, accessories and packaging should be sorted, taken to a recycling centre and disposed of in a manner which is compatible with the environment.

When the product becomes completely unserviceable and requires disposal, drain off any fluids (if applicable) into approved containers and dispose of the product and the fluids according to local regulations.



#### WEEE Regulations

Dispose of this product at the end of its working life in compliance with the EU Directive on Waste Electrical and Electronic Equipment (WEEE). When the product is no longer required, it must be disposed of in an environmentally protective way. Contact your local solid waste authority for recycling information.



- WARNING! Dispose of batteries according to local authority guidelines**
- See 4.4 for battery removal.

#### Battery Removal.

Under the Waste Batteries and Accumulators Regulations 2009, Jack Sealey Ltd are required to inform potential purchasers of products containing batteries (as defined within these regulations), that they are registered with Valpak's registered compliance scheme. Jack Sealey Ltd's Batteries Producer Registration Number (BPRN) is BPRN00705

**NOTE:** It is our policy to continually improve products and as such we reserve the right to alter data, specifications and component parts without prior notice.

**IMPORTANT:** No liability is accepted for incorrect use of this product.

**WARRANTY:** Guarantee is 12 months from purchase date, proof of which will be required for any claim.

**INFORMATION:** For a copy of our latest catalogue and promotions call us on 01284 757525 and leave your full name and address, including postcode.



Sole UK Distributor, Sealey Group,  
Kempson Way, Suffolk Business Park,  
Bury St. Edmunds, Suffolk,  
IP32 7AR



01284 757500



01284 703534



www.sealey.co.uk



sales@sealey.co.uk