

RYOBI®

RPP750S
RPP755E

ORIGINAL INSTRUCTIONS

Electric Pole Pruner



Important!

It is essential that you read the instructions in this manual before assembling, operating and maintaining this machine.

Subject to technical modification.

WARNING

When using the product, the safety rules must be followed. For your own safety and that of bystanders, you must read and fully understand these instructions before operating the product. Please keep these instructions safe for later use.

GENERAL SAFETY WARNINGS

WARNING

Read all safety warnings and all instructions. Failure to follow the warnings and instructions may result in electric shock, fire and/or serious injury.

Save all warnings and instructions for future reference.

The term "power tool" in the warnings refers to your mains-operated (corded) power tool or battery-operated (cordless) power tool.

WORK AREA SAFETY

- **Keep work area clean and well lit.** Cluttered or dark areas invite accidents.
- **Do not operate power tools in explosive atmospheres, such as in the presence of flammable liquids, gases or dust.** Power tools create sparks which may ignite the dust or fumes.
- **Keep children and bystanders away while operating a power tool.** Distractions can cause you to lose control.

ELECTRICAL SAFETY

- **Power tool plugs must match the outlet. Never modify the plug in any way. Do not use any adapter plugs with earthed (grounded) power tools.** Unmodified plugs and matching outlets will reduce risk of electric shock.
- **Avoid body contact with earthed or grounded surfaces, such as pipes, radiators, ranges and refrigerators.** There is an increased risk of electric shock if your body is earthed or grounded.
- **Do not expose power tools to rain or wet conditions.** Water entering a power tool will increase the risk of electric shock.
- **Do not abuse the cord. Never use the cord for carrying, pulling or unplugging the power tool. Keep cord away from heat, oil, sharp edges or moving parts.** Damaged or entangled cords increase the risk of electric shock.
- **When operating a power tool outdoors, use an extension cord suitable for outdoor use.** Use of a cord suitable for outdoor use reduces the risk of electric shock.
- **If operating a power tool in a damp location is unavoidable, use a residual current device (RCD) protected supply.** Use of an RCD reduces the risk of electric shock.

PERSONAL SAFETY

- **Stay alert, watch what you are doing and use common sense when operating a power tool. Do not use a power tool while you are tired or under the influence of drugs, alcohol or medication.** A moment of inattention while operating power tools may result in serious personal injury.
- **Use personal protective equipment. Always wear eye protection.** Protective equipment such as dust mask, non-skid safety shoes, hard hat or hearing protection used for appropriate conditions will reduce personal injuries.
- **Prevent unintentional starting. Ensure the switch is in the off-position before connecting to power source and/or battery pack, picking up or carrying the tool.** Carrying power tools with your finger on the switch or energising power tools that have the switch on invites accidents.
- **Remove any adjusting key or wrench before turning the power tool on.** A wrench or a key left attached to a rotating part of the power tool may result in personal injury.
- **Do not overreach. Keep proper footing and balance at all times.** This enables better control of the power tool in unexpected situations.
- **Dress properly. Do not wear loose clothing or jewellery. Keep your hair, clothing and gloves away from moving parts.** Loose clothes, jewellery or long hair can be caught in moving parts.
- **If devices are provided for the connection of dust extraction and collection facilities, ensure these are connected and properly used.** Use of dust collection can reduce dust-related hazards.

POWER TOOL USE AND CARE

- **Do not force the power tool. Use the correct power tool for your application.** The correct power tool will do the job better and safer at the rate for which it was designed.
- **Do not use the power tool if the switch does not turn it on and off.** Any power tool that cannot be controlled with the switch is dangerous and must be repaired.
- **Disconnect the plug from the power source and/or the battery pack from the power tool before making any adjustments, changing accessories or storing power tools.** Such preventive safety measures reduce the risk of starting the power tool accidentally.
- **Store idle power tools out of the reach of children and do not allow persons unfamiliar with the power tool or these instructions to operate the power tool.** Power tools are dangerous in the hands of untrained users.
- **Maintain power tools. Check for misalignment or binding of moving parts, breakage of parts and any other condition that may affect the power tool's operation. If damaged, have the power tool repaired before use.** Many accidents are caused by poorly maintained power tools.
- **Keep cutting tools sharp and clean.** Properly maintained cutting tools with sharp cutting edges are

less likely to bind and are easier to control.

- **Use the power tool, accessories and tool bits etc, in accordance with these instructions, taking into account the working conditions and the work to be performed.** Use of the power tool for operations different from those intended could result in a hazardous situation.

SERVICE

- **Have your power tool serviced by a qualified repair person using only identical replacement parts.** This will ensure that the safety of the power tool is maintained.

ADDITIONAL GENERAL SAFETY WARNINGS

- Some regions have regulations that restrict the use of the product. Check with your local authority for advice.
- Never allow children or people unfamiliar with the instructions to use the product. Local regulations may restrict the age of the operator.
- Ensure before each use that all controls and safety devices function correctly. Do not use the product if the "off" switch does not stop the motor.
- Wear full eye and hearing protection, strong sturdy gloves as well as head protection while operating the product; use a face mask if operation is dusty.
- Do not wear loose fitting clothing, short trousers or jewellery of any kind.
- Secure long hair so it is above shoulder level to prevent entanglement in moving parts.
- Beware of thrown, flying or falling objects; keep all bystanders, children, and animals at least 15 m away from work area.
- Do not operate in poor lighting. The operator requires a clear view of the work area to identify potential hazards.
- Use of hearing protection reduces the ability to hear warnings (shouts or alarms). The operator must pay extra attention to what is going on in the working area.
- Operating similar tools nearby increases both the risk of hearing injury and the potential for other persons to enter your working area.
- Keep firm footing and balance. Do not overreach. Overreaching can result in loss of balance and can increase the risk of kickback.
- Keep all parts of your body away from any moving part.
- Inspect the machine before each use. Check for correct operation of all controls. Check for loose fasteners, make sure all guards, and handles are properly and securely attached. Replace any damaged parts before use.
- Do not modify the machine in any way or use parts and accessories which are not recommended by the manufacturer.
- Do not let familiarity gained from frequent use of machines allow you to become complacent and ignore tool safety principles. A careless action can cause severe injury within a fraction of a second.
- Keep handles and grasping surfaces dry, clean and free from oil and grease. Slippery handles and grasping surfaces do not allow for safe handling and control of

the tool in unexpected situations.

- If you need to use an extension cable ensure it is suitable for outdoor use and has a current capacity sufficient to supply your tool. Check it before every use for damage. Always uncoil it during use because coiled cables can overheat.

⚠ WARNING

If the machine is dropped, suffers heavy impact or begins to vibrate abnormally, immediately stop the machine and inspect for damage or identify the cause of the vibration. Any damage should be properly repaired or replaced by an authorised service centre.

PRUNER SAFETY WARNINGS

- Never use the pruner when there is a possibility of thunderstorm or lightning. Store the pruner and the power cables safely indoors.
- Ensure all guards, handles are properly fitted and are in good condition.
- Do not start using the product until you have a clear work area, secure footing, and a planned retreat path away from the falling branches or limbs.
- Beware of the emission of lubricant mist and saw dust. Wear mask or respirator if required.
- Electrical power should be supplied via a residual current device (RCD) with a tripping current of not more than 30 mA.
- If the power cable becomes damaged, you must return the machine to an authorised service centre for repair or replacement
- Always hold the pruner with both hands when operating it. Use one hand to firmly grasp the front hand grip. Use the other hand to grasp the rear handle and operate the trigger release and on/off trigger.
- Hold the power tool by insulated gripping surfaces only, because the saw chain may contact hidden wiring. Saw chains contacting a "live" wire may make exposed metal parts of the power tool "live" and could give the operator an electric shock.
- Do not modify your tool in any way or use it to power any attachments or devices not recommended by the manufacturer for your pruner.
- Your pruner comes with a harness. You must use it whilst operating the pruner. It will assist you to control the drop of the pruner after the cut is completed. It will also help support the weight of the machine during use and whilst moving between pruning positions.
- Identify the quick release mechanism and practice using it before you start using the machine. Its correct use may prevent serious injury in the case of an emergency. Never wear additional clothing over the harness or otherwise restrict access to the quick release mechanism.
- Before starting the tool, make sure the saw chain is not contacting any object.
- An incorrectly tensioned chain can jump off the guide bar and could result in serious injury. Check before

each use and frequently, especially a new chain.

- To reduce the risk of injury associated with contacting moving parts, always stop the machine, disconnect from the mains, make sure all moving parts have come to a stop before:
 - cleaning or clearing a blockage
 - leaving the product unattended
 - installing or removing attachments
 - checking, maintenance or working on the machine
- Kickback may occur when the nose or tip of the guide bar touches an object, or when the wood closes in and pinches the saw chain in cut. Tip contact in some cases may cause a sudden reverse reaction, kicking the guide bar up and back towards the operator. Pinching the saw chain along the top of the guide bar may push the guide bar rapidly back towards the operator. Either of these reactions may cause you to lose control of the machine which could result in serious personal injury. Do not rely exclusively upon the safety devices built into your machine. As a pruner user, you should take several steps to keep your cutting jobs free from accident or injury. Kickback is the result of tool misuse and/or incorrect operating procedures or conditions and can be avoided by taking proper precautions as given below:
 - With a basic understanding of kickback, you can reduce or eliminate the element of surprise. Sudden surprise contributes to accidents.
 - Make sure that the area in which you are cutting is free from obstructions. Do not let the nose of the guide bar contact branch, limb or any other obstruction while you are operating the unit.
 - Maintain a firm grip, with both hands on the machine and position your body and arm to allow you to resist kickback forces. Kickback forces can be controlled by the operator, if proper precautions are taken. Do not let go of the pruner.
 - Do not overreach. This helps prevent unintended tip contact and enables better control of the pruner in unexpected situations.
 - Only use replacement bars and chains specified by the manufacturer. Incorrect replacement bars and chains may cause chain breakage and/or kickback.
 - Sharpening the chain safely is a skilled task. Therefore the manufacturer strongly recommends that a worn or dull chain is replaced with a new one, available from your authorised Ryobi service centre. The part number is available in the product specification table in this manual.
- Do not use on a ladder or unstable support. Always cut with both feet on solid ground to prevent being pulled off balance.
- To protect yourself from electrocution, do not operate within 10 m of overhead electrical lines.
- Beware of falling branches or those which rebound after hitting the ground.
- Use extreme caution when cutting small-sized brush and saplings because slender material may catch the saw chain and be whipped toward you or pull you off balance.

- When cutting a limb that is under tension, be alert for spring back so that you will not be struck when tension in wood fibres are released.
- If the cutting performance deteriorates over time, check if the chain teeth are sharp and clean. Replace with original chain (and bar) as recommended by the manufacturer if necessary.
- If the chain and bar become pinched or trapped in branches too high to reach, seek advice from a professional tree service specialist about safe removal of the cutting means.

WARNING

Check that all the shaft couplings on the extension pole and tool are securely fastened before each use and at frequent intervals.

Personal protective equipment

Good quality, personal protective equipment as used by professionals will help to reduce the risk of injury to the operator. The following items should be used when operating your product:

Safety helmet

- should comply with EN 397 and be CE marked

Hearing protection

- should comply with EN 352-1 and be CE marked

Eye and face protection

- should be CE marked and comply with EN 166 (for safety glasses) or EN 1731 (for mesh visors)

Gloves

- should comply with EN 381-7 and be CE marked

Footwear

- should comply with EN 20345 and be CE marked

OPERATION – PRUNING

- Study the condition of the tree and branches before starting work. If there are signs of damage, rot or decay, do not attempt to prune yourself. Damaged or rotten branches are highly unstable. Seek the services of a professional tree surgeon.
- Never stand under the branch to be pruned.
- Pruned branches do not always fall cleanly to the ground. They are easily caught and deflected by other foliage. Ensure that a safety zone at least twice the length of the branch to be cut is available and maintained during your pruning. If this is not possible, seek the services of a professional tree surgeon.
- Ensure that the falling branch is not a danger to yourself, bystanders or property including utility cables.
- Never operate the tool with the pole at an angle of greater than 60° from the horizontal.
- Never operate the pruner with the cutting means closer than 10 m from overhead power lines.
- Do not force the tool, let the chain do the work at its own speed.
- Do not try to cut the branch too close to the tree trunk. Leave about 15 cm from the trunk to the cut.

- Rest the saw bar on the branch to be pruned and push the saw gently forwards so that the ribbed bumper also contacts the branch. This will aid stability, cutting and provide cleaner cuts.
- Small branches which are both thin in diameter and not heavy can be cut with one cut using the bottom of the saw bar.
- For larger diameter and heavier branches where the branch may break or split during the cut should be cut first from under the branch using the top of the saw bar. Make this cut approximately one third of the way through the branch. Then make a second cut from above the branch using the bottom of the saw bar to join the first cut.
- Consider pruning large branches in manageable sections rather than as a whole.
- Never try to restart a previous cut with the chain and bar in the earlier cut. Always start a new cut. This will reduce the risk of kickback and potential injury.

TRANSPORTATION AND STORAGE

- Stop the machine, disconnect from mains and allow it to cool before storing or transporting.
- Clean all foreign material from the product. Store it in a cool dry and well-ventilated place that is inaccessible to children. Keep away from corrosive agents such as garden chemicals and de-icing salts. Do not store outdoors.
- Cover the saw bar with the scabbard before storing the unit, or during transportation.
- When storing the unit for a long period of time (one month or longer), be sure the chain is lightly lubricated to prevent rust. The manufacturer recommends the use of Ryobi bar and chain lubricant which is available from your Ryobi authorised service centre.
- For transportation, secure the machine against movement or falling to prevent injury to persons or damage to the machine.

MAINTENANCE

⚠ WARNING

Use only original manufacturer's replacement parts, accessories and attachments. Failure to do so can cause possible injury, poor performance and may void your warranty.

⚠ WARNING

Servicing requires extreme care and knowledge and should be performed only by a qualified service technician. For service we suggest you return the product to your nearest authorised service centre for repair. When servicing, use only identical replacement parts.

⚠ WARNING

The saw chain is very sharp. To prevent personal injury, exercise extreme caution when cleaning, fitting or removing the chain scabbard, and always wear protective gloves when performing maintenance to the chain.

⚠ WARNING

Improper chain maintenance increases the potential of kickback. Failure to replace or repair damaged chain can cause serious injury.

- Switch off and disconnect from the mains before conducting any maintenance or cleaning work.
- You may only make adjustments or repairs described in this manual. For other repairs, contact the authorised service agent.
- Follow instructions for lubricating and chain tension checking and adjustment.
- After each use, clean the body and handles of the product with a soft dry cloth.
- Check all nuts, bolts and screws at frequent intervals for proper tightness to ensure the product is in safe working condition. Any part that is damaged should be properly repaired or replaced by an authorised service centre.

MAINTENANCE SCHEDULE

The bar may be reversed to distribute wear for maximum life. The bar should be cleaned every day of use and checked for wear and damage.

Daily check	
Power cable for damage	Before each use
Bar lubrication	Before each use
Chain tension	Before each use and frequently
Chain sharpness	Before each use, visual check
For damaged parts	Before each use
For loose fasteners	Before each use

INTENDED USE

The product is only intended for use outdoors. For safety reasons the product must be adequately controlled by using two handed operation.

The product is designed for cutting and pruning of small limbs and branches whose diameter is less than or equal to the bar length, which are high in the tree whilst the operator maintains a steady footing on the ground. The product is designed to be extended to a maximum length of 2.7 m. Do not exceed this working length.

It is not intended to be used whilst climbing or as a conventional chainsaw for close quarter limbing and pruning of material at ground level.

RESIDUAL RISKS

Even when the product is used as prescribed, it is still impossible to completely eliminate certain residual risk factors. The following hazards may arise in use and the operator should pay special attention to avoid the following:

- Injury caused by vibration. Always use the right tool for the job, use designated handles and restrict working time and exposure.
- Exposure to noise can cause hearing injury. Wear ear protection and limit exposure.
- Contact with exposed saw teeth of the chain (cutting hazards).
- Unforeseen, abrupt movement or kickback of the guide bar (cutting hazards).
- Parts ejected from the saw chain (cutting/injection hazards).
- Thrown out pieces of the work piece (wood chips, splinters)
- Inhalation of saw dust and particles.
- Skin contact with lubricant/oil.

RISK REDUCTION

It has been reported that vibrations from hand-held tools may contribute to a condition called Raynaud's Syndrome in certain individuals. Symptoms may include tingling, numbness and blanching of the fingers, usually apparent upon exposure to cold. Hereditary factors, exposure to cold and dampness, diet, smoking and work practices are all thought to contribute to the development of these symptoms. There are measures that can be taken by the operator to possibly reduce the effects of vibration:

- Keep your body warm in cold weather. When operating the unit wear gloves to keep the hands and wrists warm. It is reported that cold weather is a major factor contributing to Raynaud's Syndrome.
- After each period of operation, exercise to increase blood circulation.
- Take frequent work breaks. Limit the amount of exposure per day.

If you experience any of the symptoms of this condition, immediately discontinue use and see your doctor about these symptoms.

⚠ WARNING

Injuries may be caused, or aggravated, by prolonged use of a tool. When using any tool for prolonged periods, ensure you take regular breaks.

KNOW YOUR PRODUCT

See page 9.

1. Chain lubricant cap
2. Extension pole
3. Shaft coupling
4. Harness hanger
5. Front hand grip
6. Trigger release

7. On/Off trigger
8. Cord retainer
9. Chain
10. Guide bar
11. Sprocket cover
12. Bar nut
13. Ribbed bumper
14. Harness

SYMBOLS ON THE PRODUCT



Safety alert



Read and understand all instructions before operating the product, follow all warnings and safety instructions.



Wear eye, ear and head protection.



Wear non-slip safety footwear when using the product.



Wear non-slip, heavy duty gloves.



Do not expose to rain or damp condition.



Electrical hazard, at least 10 m away from the overhead electric-power lines



Remove plug from the mains immediately before maintenance or if cable is damaged or cut



Beware of thrown or flying objects. Keep all bystanders, especially children and pets, at least 15 m away from the operating area



Conforms to all regulatory standards in the country in the EU where the product is purchased.



GOST-R Conformity



Class II tool, double insulation



Waste electrical products should not be disposed of with household waste. Please recycle where facilities exist. Check with your local authority or retailer for recycling advice.



Moving direction of the chain (Marked under the sprocket cover)



Lock



Unlock

V_0 : 10m/s

No-load chain speed is 10 m/s

SYMBOLS IN THIS MANUAL



Connect to power outlet.



Disconnect from power outlet.



Parts or accessories sold separately



Waste electrical products should not be disposed of with household waste. Please recycle where facilities exist.



Note



Warning



Wear eye and face protection.

The following signal words and meanings are intended to explain the levels of risk associated with this product.

DANGER

Indicates an imminently hazardous situation, which, if not avoided, will result in death or serious injury.

WARNING

Indicates a potentially hazardous situation, which, if not avoided, could result in death or serious injury.

CAUTION

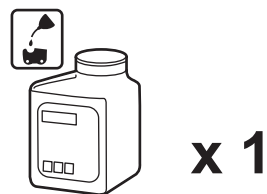
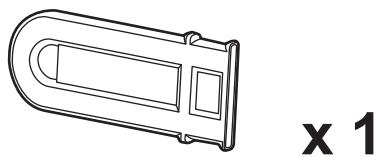
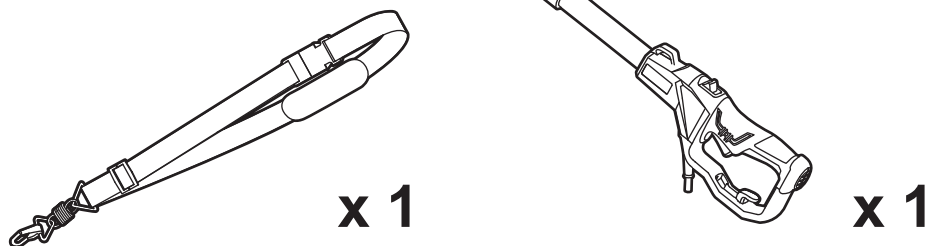
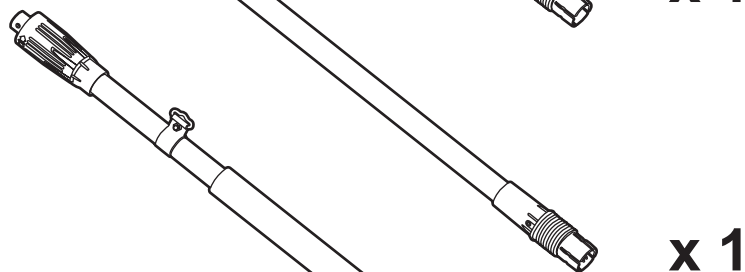
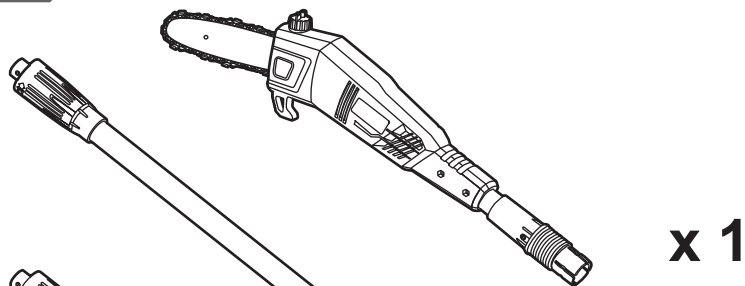
Indicates a potentially hazardous situation, which, if not avoided, may result in minor or moderate injury.

CAUTION

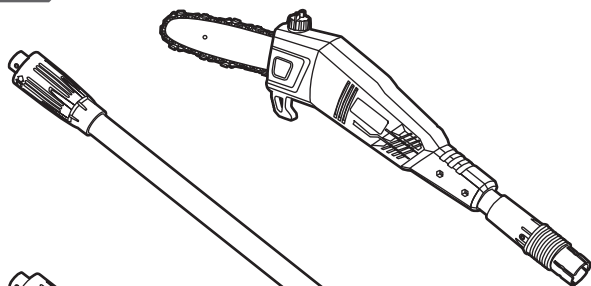
Without safety alert symbol

Indicates a situation that may result in property damage.

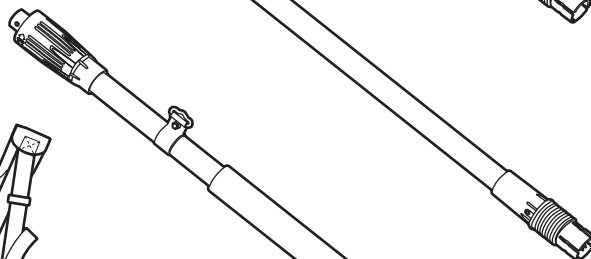
RPP750S



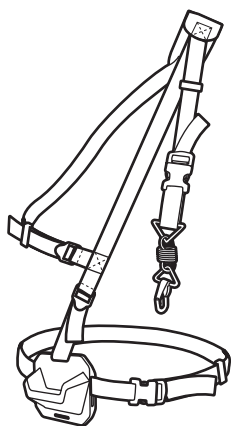
RPP755E



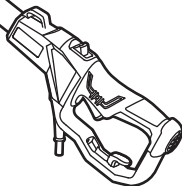
x 1



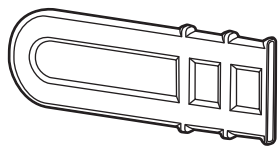
x 1



x 1



x 1



x 1



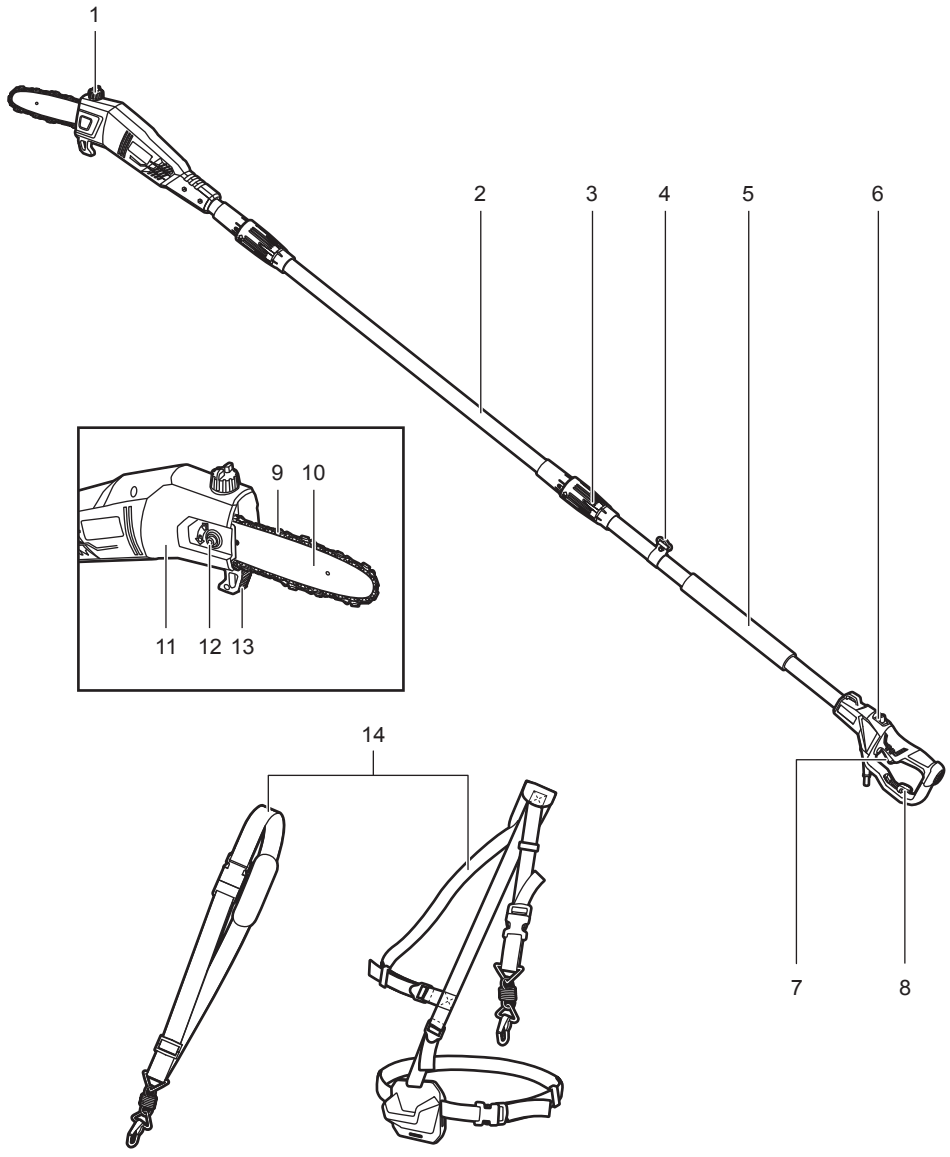
x 1



x 1

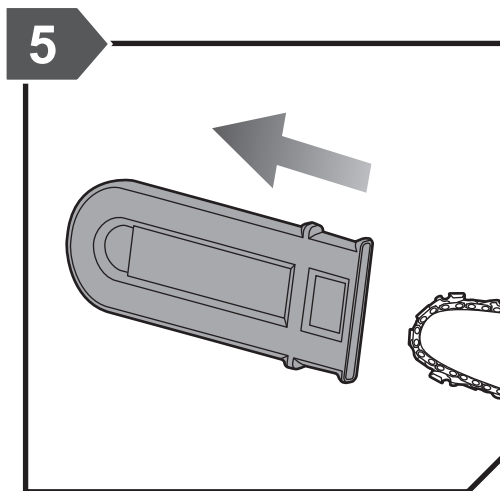
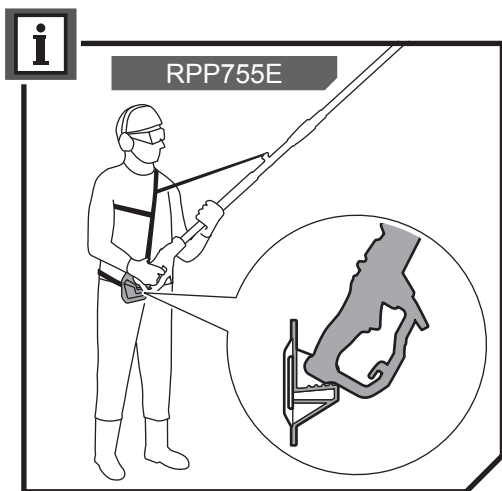
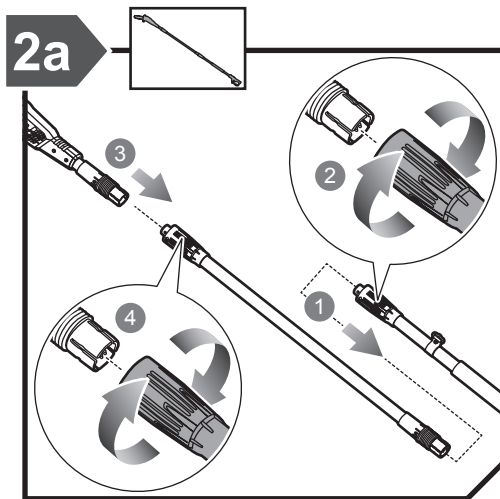
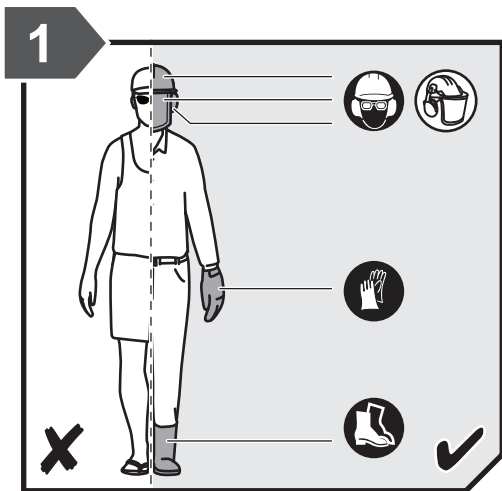


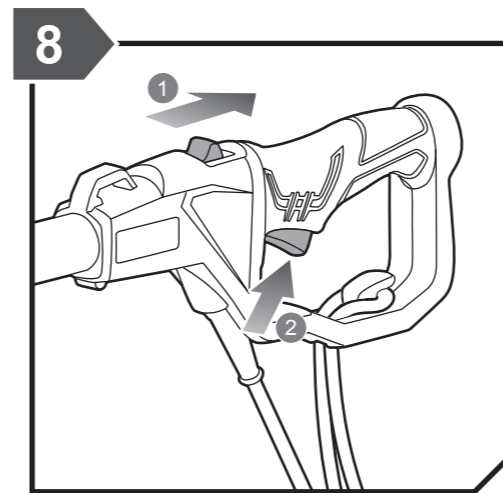
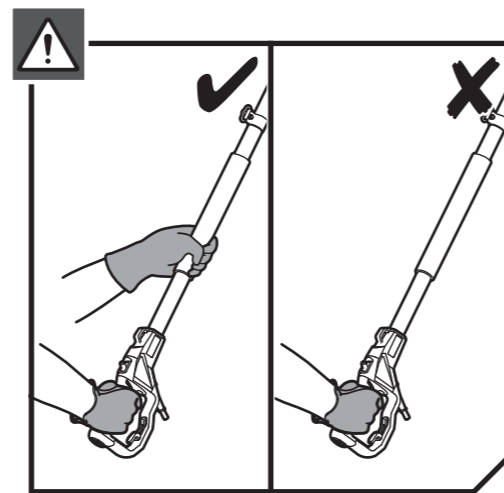
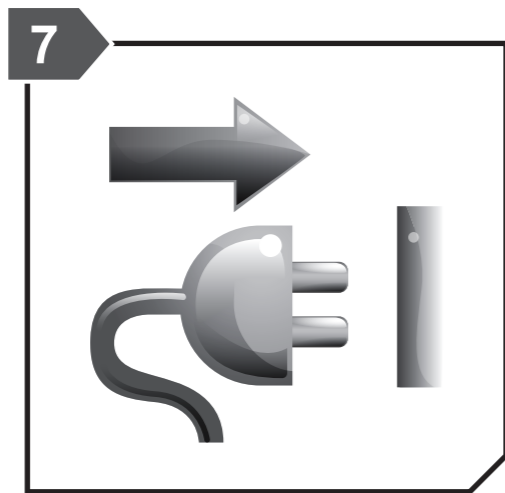
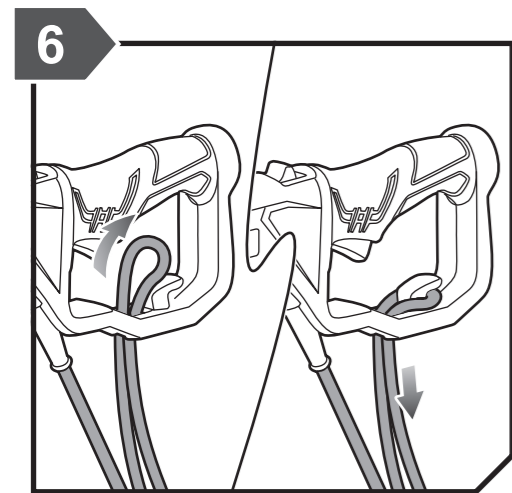
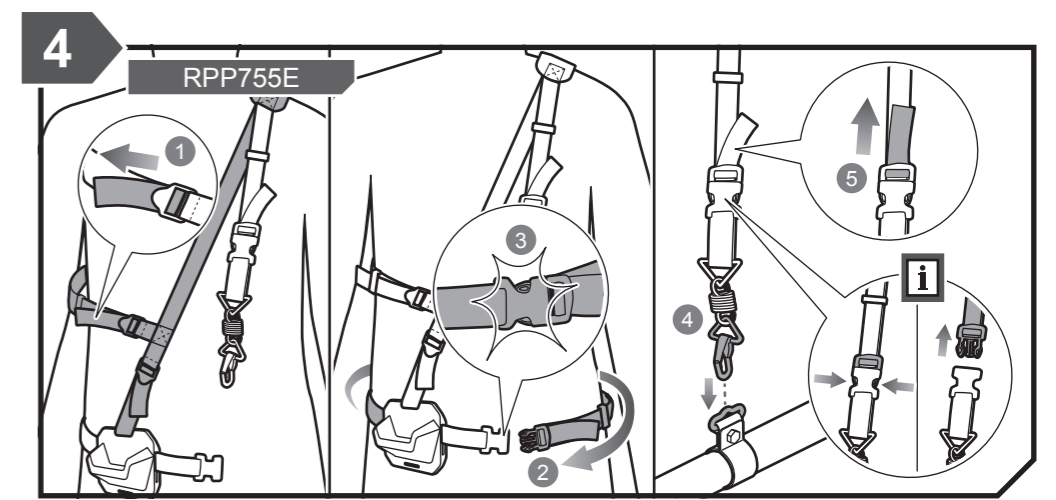
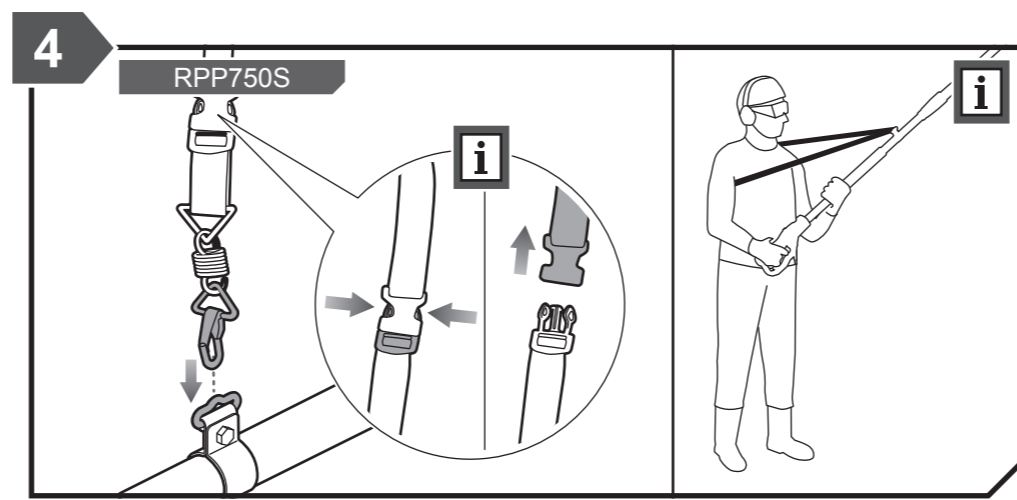
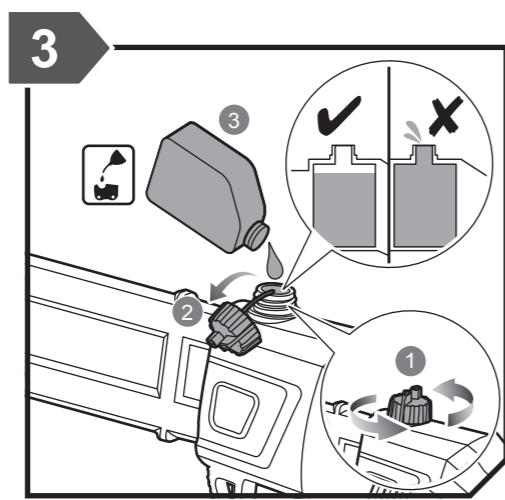
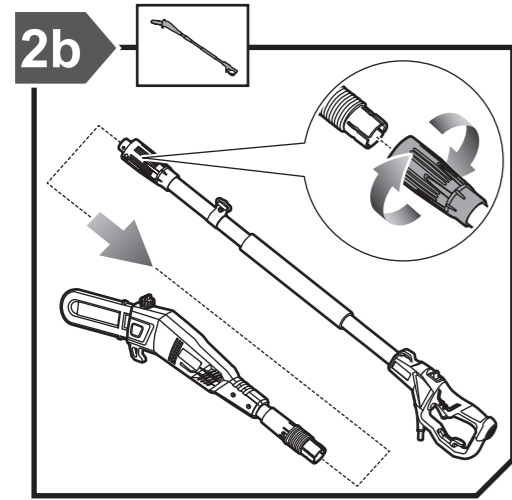
x 1

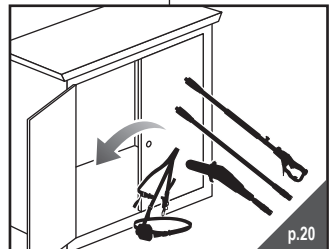
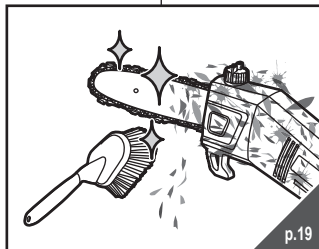
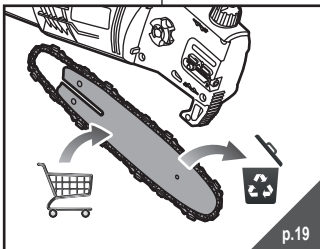
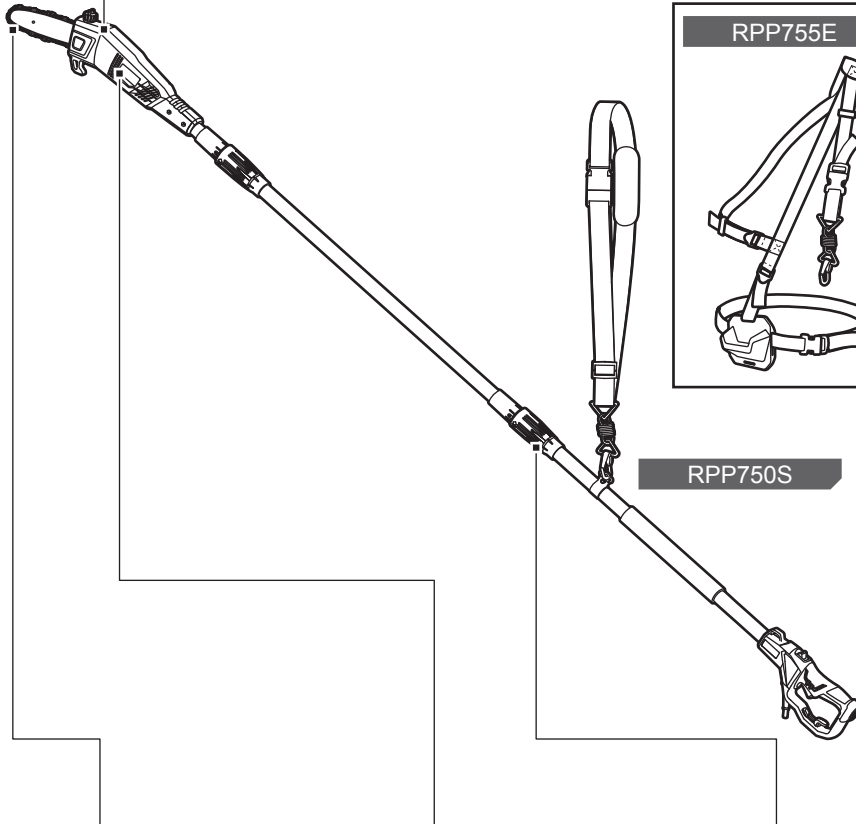
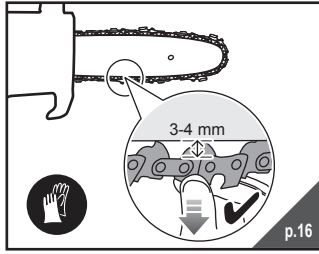
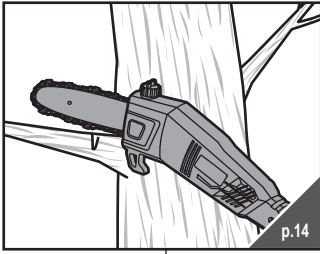


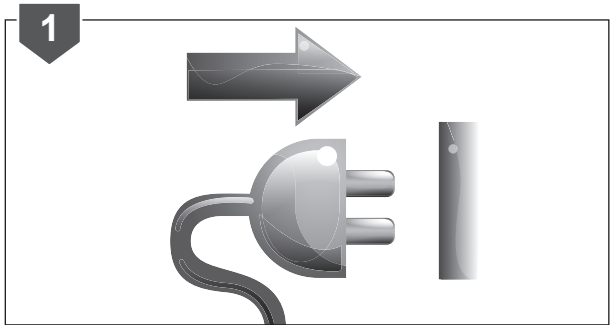
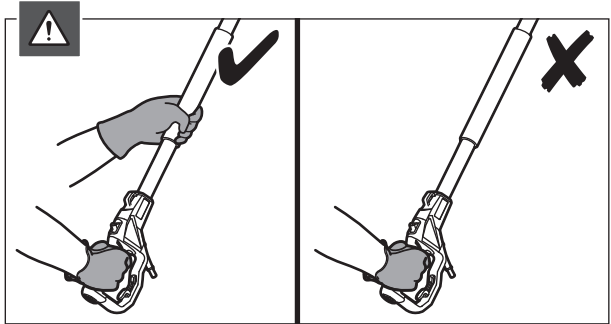
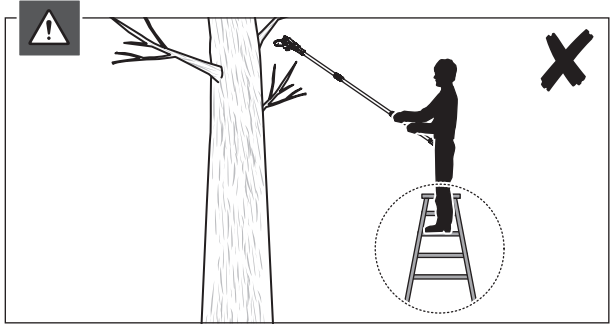
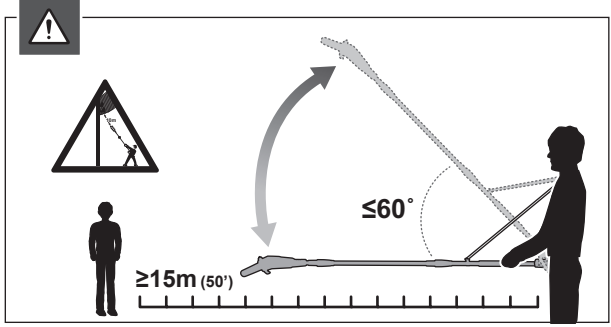
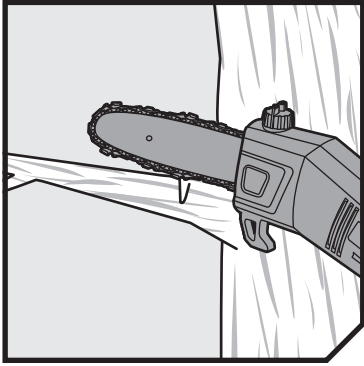
RPP750S

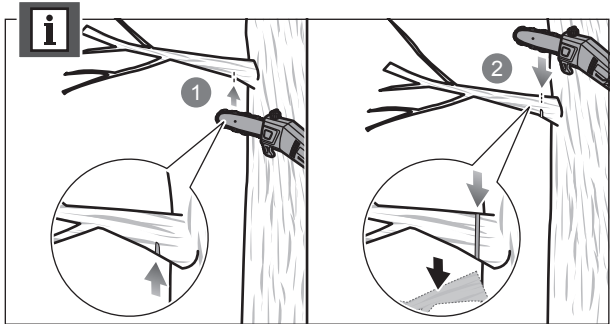
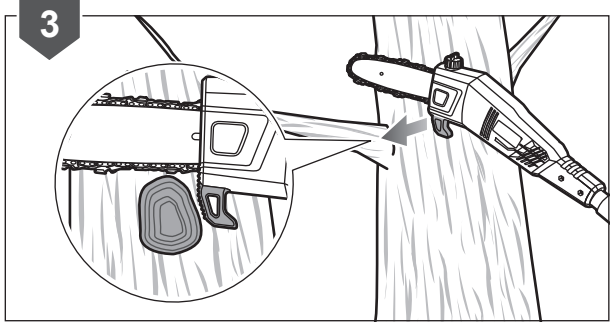
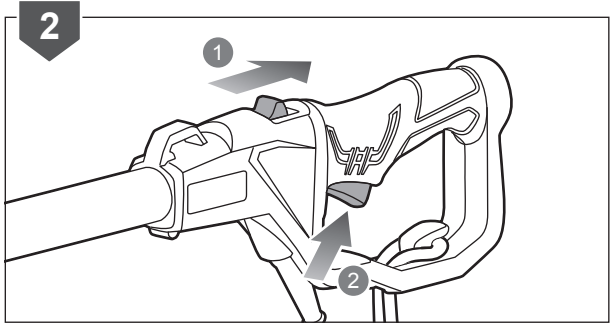
RPP755E

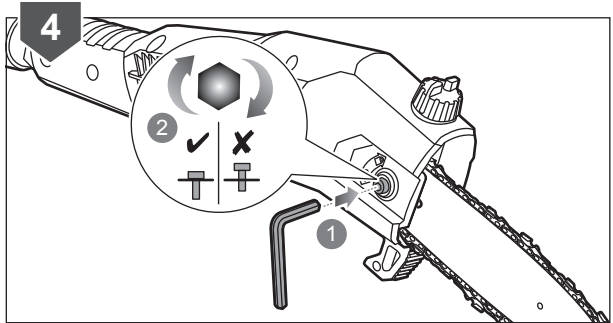
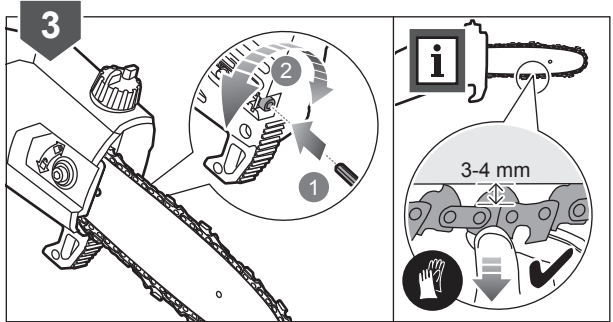
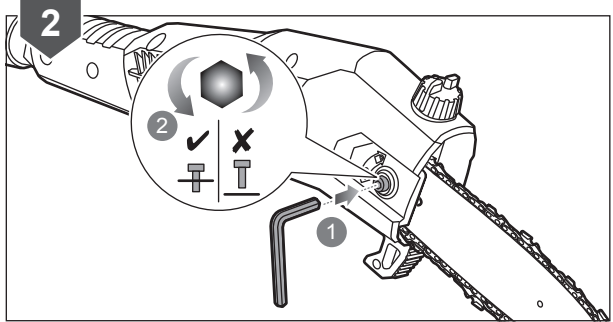
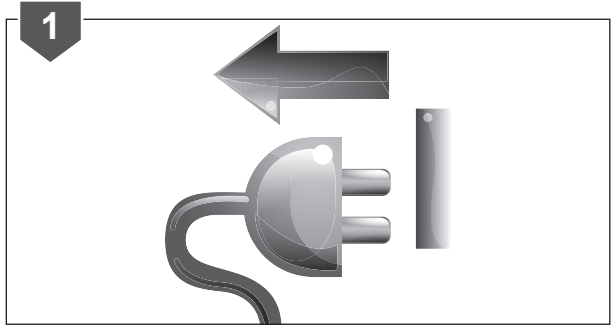
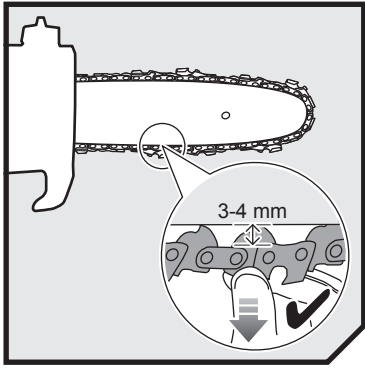


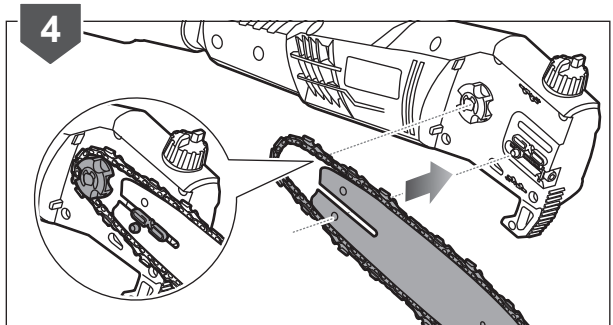
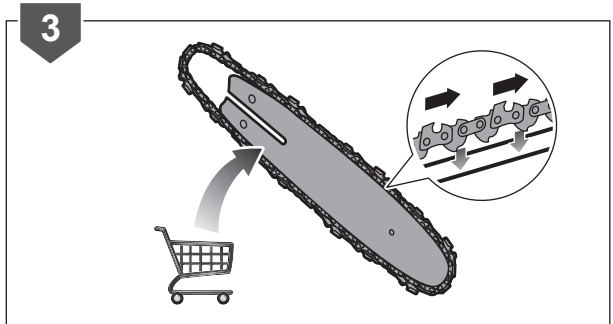
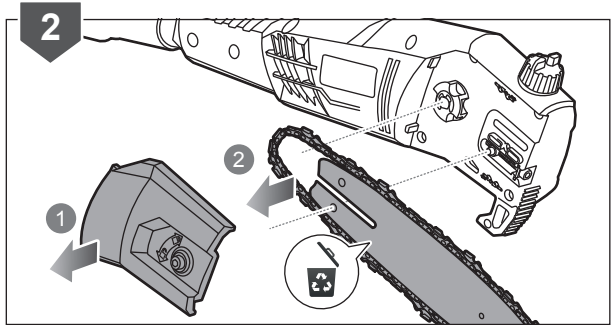
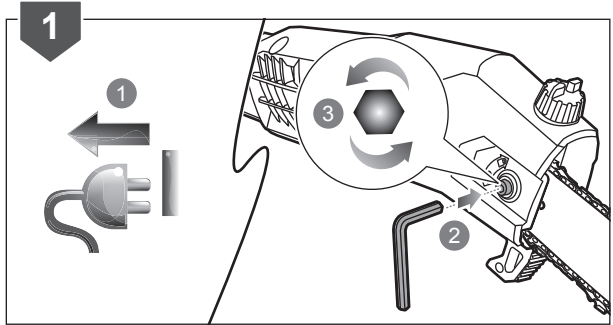
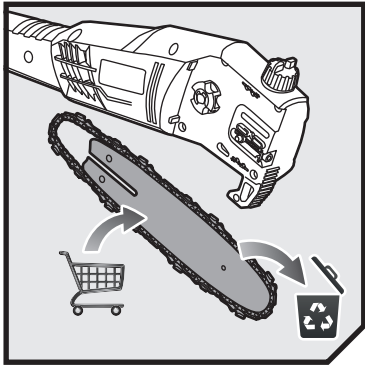


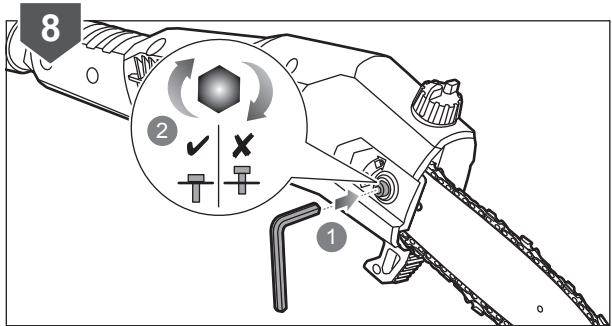
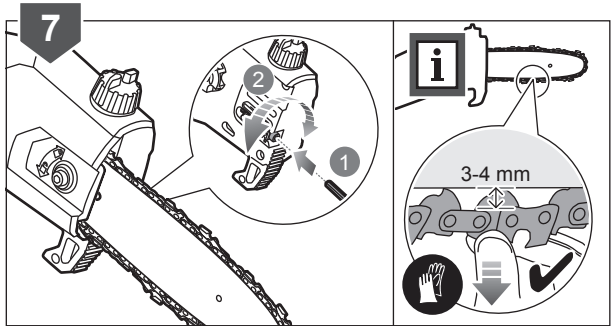
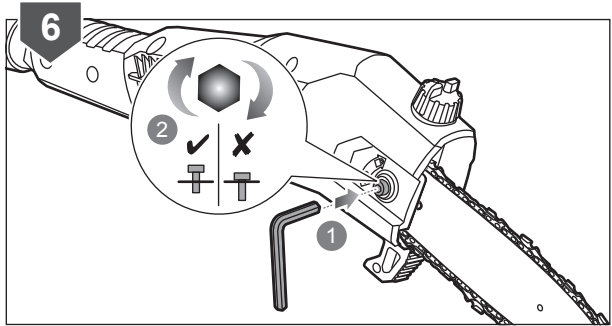
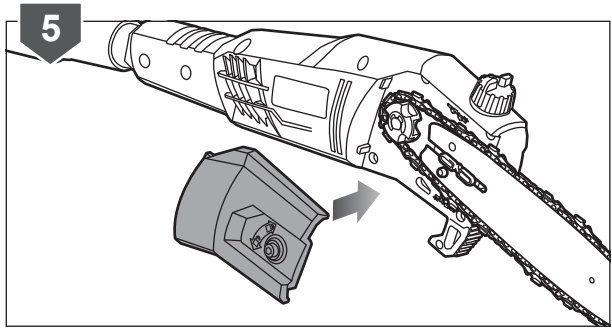


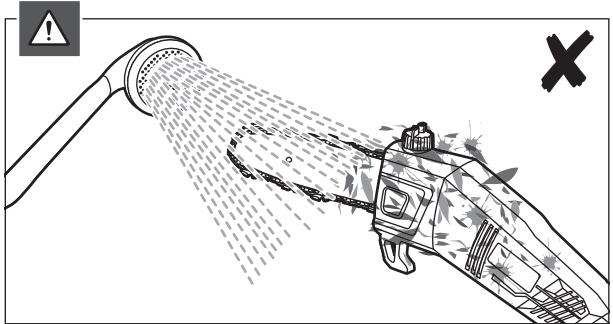
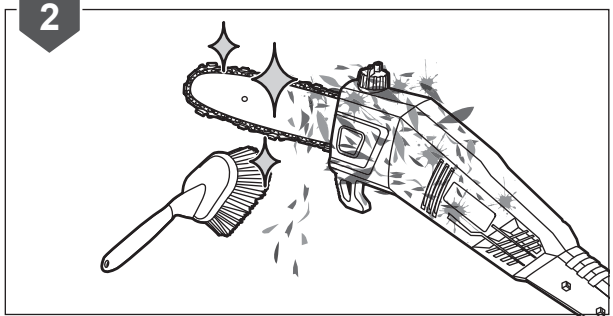
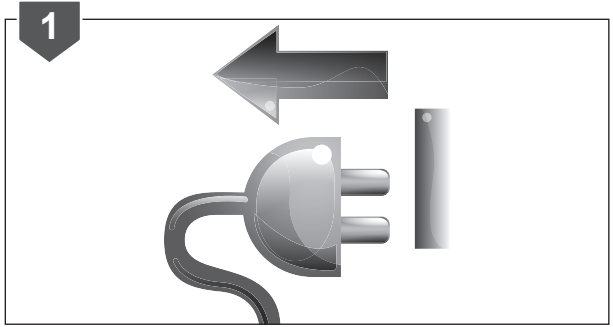
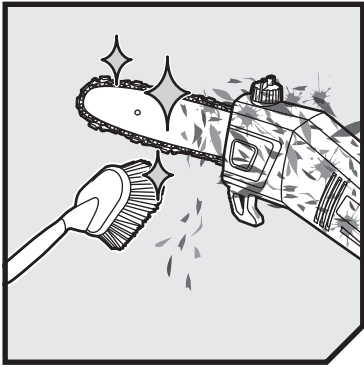


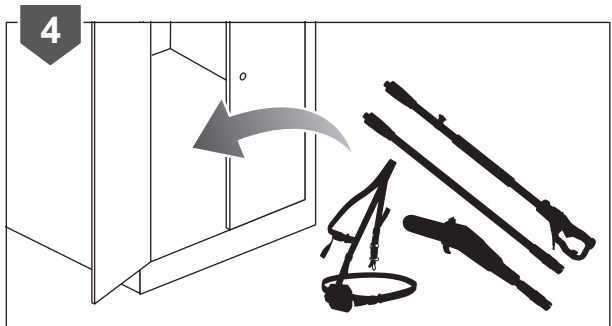
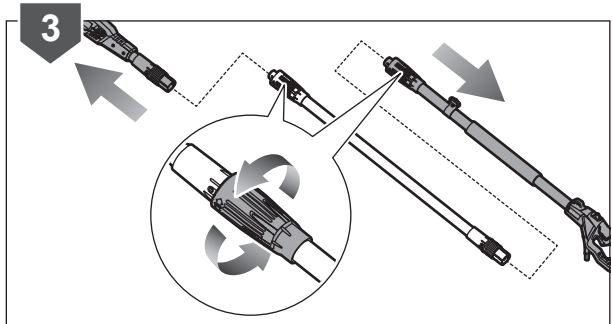
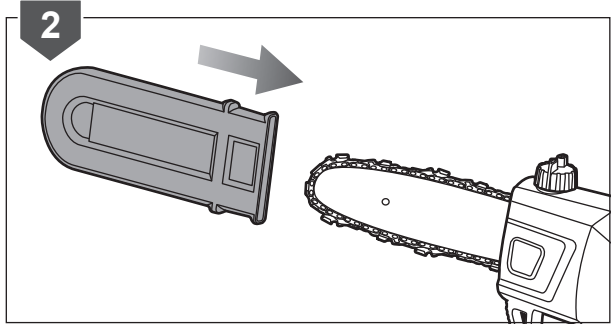
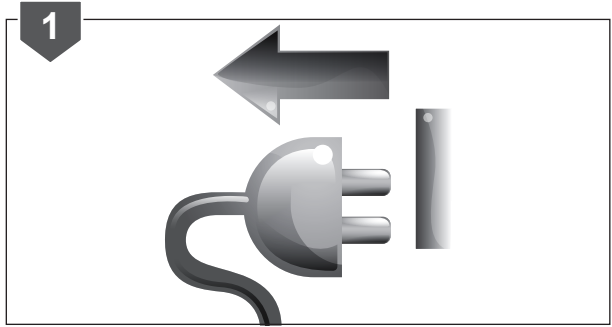
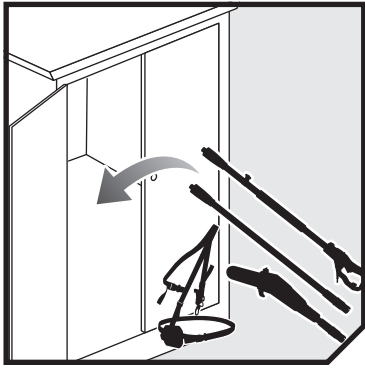












PRODUCT SPECIFICATIONS

Model	RPP750S	RPP755E
Rated power	750W	
Rated voltage	220-240V ~50 Hz	
Bar length	200 mm	250 mm
Chain pitch	9.5 mm (3/8")	
Chain type	Low profile skip tooth narrow kerf	
No-load chain speed	10 m/s	
Oil tank volume	80 ml	
Maximum product working length	2.7 m	
Weight (without harness)	3.8 kg	3.9 kg
Vibration level (in accordance with ISO 22867)		

Vibration total value 3.1 m/s²

Uncertainty of measurement 1.5 m/s²

Noise emission level (in accordance with ISO 22868)

A-weighted sound pressure level at the operator's position 87.1 dB(A)

Uncertainty of measurement 3 dB

A-weighted sound power level 104.1 dB(A)

Uncertainty of measurement 3 dB

Declared sound power level (in accordance with ISO 4871) 107 dB(A)

REPLACEMENT PART (BAR & CHAIN)

Model	RPP750S	RPP755E
Manufacturer	Oregon	Oregon
Chain	91PJ033X	91PJ040X
Bar	080SDEA318	100SDEA318
Manufacturer	Tri-link	Tri-link
Chain	CL14333XPB	CL14340XPB
Bar	M1430833-1041HL	M1431040-1318TL

Chain must be fitted with bar from the same manufacturer according to above combinations.

VIBRATION LEVEL

The declared vibration value has been measured with a standard test method and may be used to compare one tool with another.

The declared vibration value may be used in a preliminary assessment of exposure.

The vibration emission during actual use of power tool can differ from the declared total value depending on the ways in which the tool is used.

Identify safety measures to protect yourself based on an estimation of exposure in the actual conditions of use, taking account of all parts of the operating cycle such as the times when the tool is switched off and when it is running idle in addition to the trigger time.

RYOBI® WARRANTY APPLICATION CONDITIONS

In addition to any statutory rights resulting from the purchase, this product is covered by a warranty as stated below.

1. The warranty period is 24 months for consumers and commences on the date the product was purchased. This date has to be documented by an invoice or other proof of purchase. The product is designed and dedicated to consumer and private use only. So there is no warranty provided in case of professional or commercial use. This warranty applies only on new products.
2. There is a possibility to extend for a part of the range of power tools (AC/DC) the warranty period over the period described above using the registration on the www.ryobitools.eu website. The eligibility of products for extended warranty is clearly displayed in stores and / or on packaging and is contained within the product documentation. The end user is required to register his/her newly-acquired products online within 30 days from the date of purchase. The end user may register for the extended warranty in his/her country of residence if listed on the online registration form where this option is valid. Furthermore, end users must give their consent to the storage of their personal data that is required to be entered online. They must also accept the terms and conditions. The registration confirmation receipt, which is sent out by e-mail, and the original invoice showing the date of purchase will serve as proof of the extended warranty.
3. The warranty covers all defects of the product during the warranty period due to faults in workmanship or material at the purchase date. The warranty is limited to repair and/or replacement and does not include any other obligations including but not limited to incidental or consequential damages. The warranty is not valid if the product has been misused, used contrary to the instruction manual, or has been incorrectly connected to a power supply. This warranty does not apply to:
 - any damage to the product that is the result of improper or lack of maintenance
 - any product that has been altered or modified
 - any product where original identification (trade mark, serial number) markings have been defaced, altered or removed
 - any damage caused by non-observance of the instruction manual
 - any product not displaying the CE approval mark on the rating plate
 - any product that has been attempted to be repaired by a non-authorized warranty service centre or without prior authorisation by Techtronic Industries
 - any product connected to an improper power supply (amps, voltage, frequency)
 - any product used with inappropriate fuel mixture (fuel, oil, Ratio of oil / fuel mixture)
 - any damage caused by external influences (water, chemical, physical, shocks) or foreign substances
 - normal wear and tear spare parts
 - inappropriate use, overloading of the tool
 - use of non-approved accessories or parts
 - Accessories provided with the tool or purchased separately including but not limited to blades, saw chains, cutting lines etc.
 - Any periodic adjustments to or maintenance cleaning of carburetors
 - Components (parts and accessories) subject to natural wear and tear, including but not limited to bump knobs, drive belts, clutch, blades of hedge trimmers or lawn mowers, harness, cable throttle, carbon brushes, power cord, tines, felt washers, hitch pins, blower fans, blower and vacuum tubes, vacuum bag and straps, guide bars, saw chains, hoses, connector fittings, spray nozzles, wheels, spray wands, inner reels, outer spools, cutting lines, spark plugs, air filters, gas filters, mulching blades, etc.
4. For servicing, the product must be sent or presented to a RYOBI authorised service station listed for each country in the following list of service station addresses. In some countries your local RYOBI dealer undertakes to send the product to the RYOBI service organisation. When sending a product to a RYOBI service station, the product should be safely packed without any dangerous contents such as petrol, marked with sender's address and accompanied by a short description of the fault.
5. A repair / replacement under this warranty is free of charge. It does not constitute an extension or a new start of the warranty period. Exchanged parts or products become our property. In some countries delivery charges or postage will have to be paid by the sender. Your statutory rights arising from the purchase of the product remain unaffected.
6. This warranty is valid in the European Community, Switzerland, Iceland, Norway, Liechtenstein, Turkey and Russia. Outside these areas, please contact your authorised RYOBI dealer to determine if another warranty applies.

AUTHORISED SERVICE CENTRES

ACD PLANT LTD

145 Southbank Road
Coundon
Coventry, West Midlands
CV6 1FG
Phone: 02476 594348
Email: danmcgunigle@acdplant.co.uk
Web: www.acdplant.co.uk

CBS Power Tools Limited

Unit 4, V P Square
Storeys Bar Rd, Fengate
Peterborough, Cambridgeshire
PE1 5YS
Phone: 01733 343031
Email: steve@cbspowertools.co.uk
Web: www.cbspowertools.com

C D Powertools

76 Old Road
Churwell Morley, Leeds
LS27 7TH
Phone: 0113 2718494
Email: info@cdpowertools.co.uk
Web : www.cdpowertools.co.uk

C J Sinclair Limited

44 Victoria Road
St Peters
Broadstairs, Kent
CT10 2UG
Phone: 01843 869400
Email: repairs@cjsinclairftd.co.uk
Web: www.cjsinclairftd.co.uk

Powertech Ind Ltd

Unit 2C, Ellison Road
Norwood Ind, Killamarsh
Sheffield, South Yorkshire
S21 2JG
Phone: 01142 474080
Email: stores@powertech-industrial.co.uk
Web: www.powertech-industrial.co.uk

RYCKO Technical Services LTD

104 Green Lane
St Albans, Herts
AL3 6EX
Phone: 08458 678790
Email: info@ryckotechnical.com
Web: www.ryckotechnical.com

ToolTech Industrial Equipment

227 E Dunhill Road, Macosquin
Coleraine, Co Londonderry
BT514LQ
Phone: 028 70359493
Email: john@tooltech.org.uk

For an updated list of authorised service centres, visit <http://en.ryobitools.eu/header/service-and-support/service-agents>.

DECLARATION OF CONFORMITY

Techtronic Industries GmbH
Max-Eyth-Strasse 10, D-71364 Winnenden, Germany

Herewith we declare that the product

Electric Pole Pruner
Brand: RYOBI
Model number: RPP750S/RPP755E
Serial number range:
RPP750S: 44430502000001 - 44430502999999
RPP755E: 44430702000001 - 44430702999999

is in conformity with the following European Directives and harmonised standards

2006/42/EC, 2014/30/EU, 2011/65/EU, EN 60745-1:2009+A11:2010, EN ISO 11680-1:2011, EN ISO 3744:2010,
EN 55014-1:2017, EN 55014-2:2015, EN 61000-3-2:2014, EN 61000-3-3:2013, EN 50581:2012

Notified body, 0197 TÜV Rheinland LGA Products GmbH; Tillystraße 2 D - 90431 Nürnberg, Germany has carried out EC type approval, and the certificate number is: BM 50284877 0001.



Andrew John Eyre (BEng, CEng, MIET)
Vice President, Regulatory & Safety
Winnenden, Oct. 30, 2017



Authorised to compile the technical file:
Alexander Krug, Managing Director
Techtronic Industries GmbH
Max-Eyth-Straße 10, 71364 Winnenden, Germany





Techtronic Industries GmbH
Max-Eyth-Straße 10,
71364 Winnenden, Germany

099851001067-01