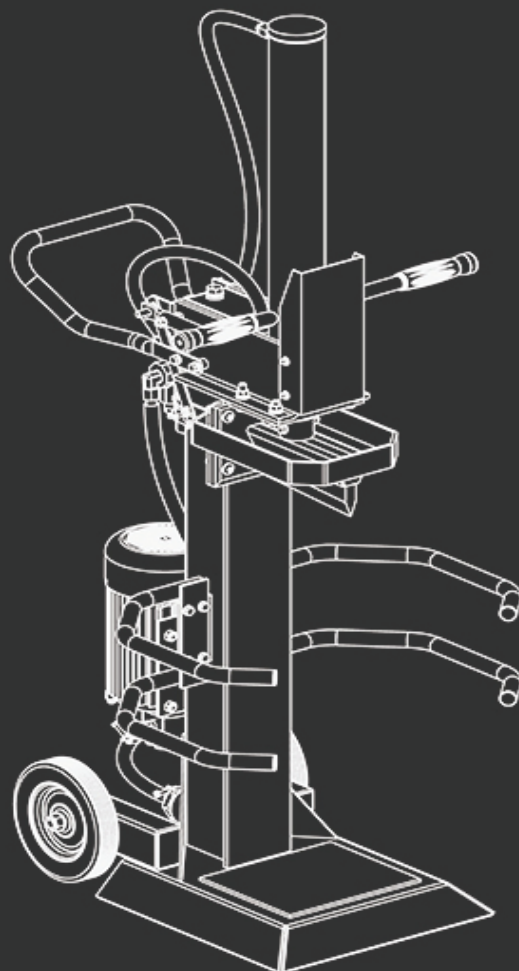


HYUNDAI
POWER PRODUCTS



ELECTRIC HYDRAULIC LOG SPLITTER HYLS80000V

Instruction Manual



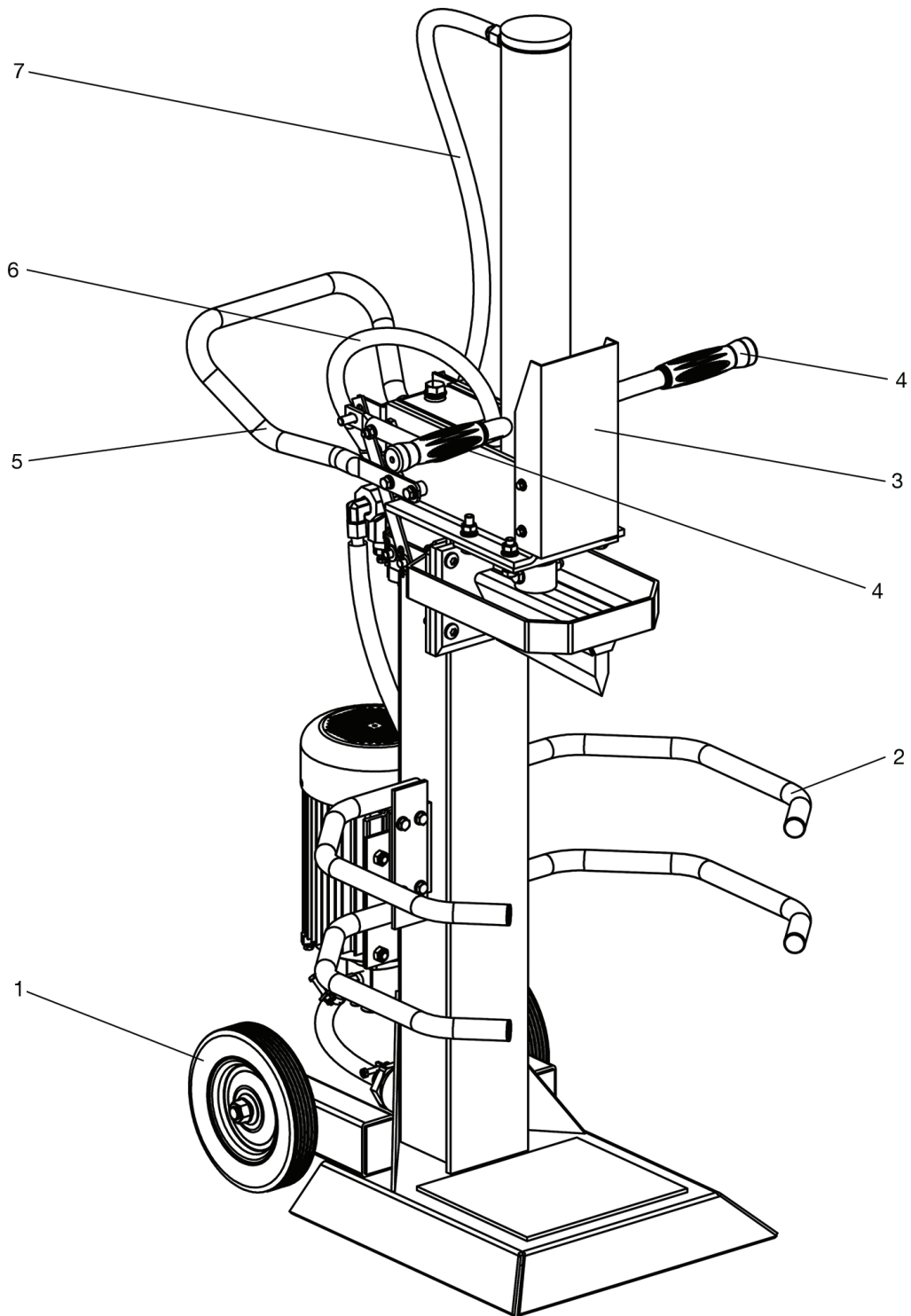
IMPORTANT

Do not forget to register your **EXTENDED 3 YEAR HYUNDAI WARRANTY** within 30 days of purchase.

<http://www.hyundaipowerequipment/warranty>

- 3-8. Safety Instructions
- 7-10. Assembly
- 10-12. Operation
- 13. Maintenance
- 14. Storage
- 15. Troubleshooting
- 16. Technical Data
- 17. Declaration Of Conformity

1. Wheel
2. Protection Pipe
3. Protection Cover
4. Handle Grips
5. Handle Bar
6. High Pressure Hose
7. High Pressure Hose



ELECTRIC LOG SPLITTER

HYLS8000V

WARNING



Read all safety warnings and instructions. Failure to follow the warnings and instructions on the machine may result in fire and/or serious injury to yourself. Save all warnings and instructions for future reference.

SAFETY WARNINGS

When using the machine, always observe the enclosed safety warnings as well as the additional safety warnings.

The following symbols are used throughout this manual:



Denotes risk of personal injury or damage to the machine



DANGER

Indicates a hazard, which if not avoided, could result in serious injury or death.



WARNING

Indicates a hazard, which if not avoided, could result in serious injury.



CAUTION

Indicates a hazard, which if not avoided, might result in minor or moderate injury.

NOTE

Indicates a situation that could easily result in equipment damage.

PACKAGE CONTENTS

HYLS8000V ELECTRIC LOGSPLITTER

- (a) 2X Wheel
- (b) 2X Protection Pipe
- (c) 1X Protection Cover
- (d) 1X Handle Connecting Plate (*Right*)
- (e) 1X Handle Connecting Plate (*Left*)
- (f) 1X Handle Bar
- (g) 1X High Pressure Hose (A)
- (h) 1X High Pressure Hose (B)
- (i) 4X Washer Ø16
- (j) 2X Nut M16
- (k) 4X Bolt M10x35
- (l) 4X Spring Washer Ø10
- (m) 12X Washer Ø10
- (n) 6X Nut M10
- (o) 4X Bolt M6x12
- (p) 8X Bolt 8x20
- (q) 12X Washer 8
- (r) 10X Nut M8
- (s) 4X Spring Washer Ø8
- (t) 4X Bolt M8x16
- (u) 2X Wheel Axle
- (v) 2X Washer Ø12
- (w) 2X Nut M12

SAFETY INSTRUCTIONS FOR ELECTRIC LOGSPLITTERS

NOTE: READ THROUGH THE ENTIRE MANUAL BEFORE STARTING ANY POWER PRODUCT.

Machinery presents serious injury hazards to untrained users.

- **ALWAYS USE SAFETY GLASSES WHEN OPERATING MACHINERY:** Everyday eyeglasses only have impact resistant lenses, they are **NOT** safety glasses.
- **ALWAYS WEAR A RESPIRATOR WHEN OPERATING MACHINERY THAT PRODUCES DUST:** Wood dust is a carcinogen and can cause cancer and severe respiratory illnesses.
- **ALWAYS USE HEARING PROTECTION WHEN OPERATING MACHINERY:** Machinery noise can cause permanent hearing damage.
- **WEAR PROPER APPAREL: DO NOT** wear loose clothing, gloves, neckties, rings, or jewellery which may get caught in moving parts. Wear protective hair covering to contain long hair and non-slip footwear.
- **NEVER OPERATE MACHINERY WHEN TIRED, OR UNDER THE INFLUENCE OF DRUGS OR ALCOHOL:** Be alert at all times when running machinery at all times.
- **ONLY ALLOW TRAINED AND PROPERLY SUPERVISED PERSONNEL TO OPERATE MACHINERY:** Make sure operation instructions are safe and clearly understood.
- **KEEP CHILDREN AND VISITORS AWAY:** Keep all children and visitors a safe distance from the work area.
- **MAKE WORKSHOP CHILD PROOF:** Use padlocks, master switches, and remove machinery keys.
- **NEVER LEAVE WHILE THE MACHINE IS RUNNING:** Turn power **OFF** and allow all moving parts to come to a complete stop before leaving machine unattended.
- **DO NOT USE IN DANGEROUS ENVIRONMENTS: DO NOT** use machinery in damp, wet locations, or where any flammable or noxious fumes may exist.
- **KEEP WORK AREA CLEAN AND WELL LIT:** Clutter and dark shadows may cause accidents.
- **USE A GROUNDED EXTENSION CORD RATED FOR THE MACHINE AMPERAGE:** Undersized cords overheat and lose power. Replace extension cords if they become damaged. **DO NOT** use extension cords for 220V machinery.
- **ALWAYS DISCONNECT FROM POWER SOURCE BEFORE SERVICING MACHINERY:** Make sure switch is in the **OFF** position before reconnecting.
- **MAINTAIN MACHINERY WITH CARE:** Keep blades sharp and clean for best and safest performance. Follow instructions for lubricating and changing accessories.
- **MAKE SURE GUARDS ARE IN PLACE AND WORK CORRECTLY BEFORE USING MACHINERY.**
- **CHECK FOR DAMAGED PARTS BEFORE USING MACHINERY:** Check for binding and alignment of parts, broken parts, part mounting, loose bolts, and any other conditions that may affect machine operation. Repair or replace damaged parts.
- **DO NOT FORCE MACHINERY:** Work at the speed for which the machine or accessory was designed.
- **SECURE WORKPIECE:** Use clamps or a vise to hold the workpiece when practical. A secured workpiece protects your hands and frees both hands to operate the machine.
- **DO NOT OVERREACH:** Keep proper footing and balance at all times.
- **MANY MACHINES WILL EJECT THE WORKPIECE TOWARD THE OPERATOR:** Know and avoid conditions that cause the workpiece to “kickback.”
- **ALWAYS LOCK MOBILE BASES (IF USED) BEFORE OPERATING MACHINERY.**
- **BE AWARE THAT CERTAIN WOODS MAY CAUSE AN ALLERGIC REACTION:** In people and animals, especially when exposed to fine dust. Make sure you know what type of wood dust you will be exposed to and always wear an approved respirator.

ADDITIONAL SAFETY INSTRUCTIONS

NOTE: READ THROUGH THE ENTIRE MANUAL BEFORE STARTING ANY POWER PRODUCT.

Machinery presents serious injury hazards to untrained users.

- **HAND SAFETY: DO NOT** put hands or other body parts into contact while the blades are moving. The log splitter can drag you into the blade, causing amputation of fingers, hands or other body parts. **DO NOT** touch the motor during or immediately after operation to prevent burns.
- **OPERATING LOCATION:** Set up the log splitter on firm, level, grass or dirt. **DO NOT** set up the log splitter on gravel, asphalt, concrete, or stone. The chips are expelled from the machine with enough force to ricochet off of hard surfaces and cause serious injury. **DO NOT** set up the log splitter in a location where sparks or heat from the motor could cause a fire.
- **SECURE FOOTING:** Placing the log splitter on a slope or slippery surface may cause the operator to fall into the machine, causing burns from the motor, or an amputation if an arm accidentally goes into the splitter. Wear non-slip, closed toed shoes or boots to maintain secure footing.
- **JAMS AND CLOGGING:** Turn the log splitter **OFF**, allow all moving parts to come to a complete stop, and disconnect the power cord before attempting to free a jam or clog.
- **TURN OFF LOGSPLITTER:** Turn **OFF** the machine, allow all moving parts to come to a complete stop, and disconnect the power cord before moving the machine or performing maintenance and repairs.
- **STARTING THE LOGSPLITTER:** Stay sufficiently away from the splitting wedge to avoid injuries caused by chips and splinters coming off.
- **CLEANING THE LOGSPLITTER:** Allow the motor to cool off, then brush dust and chip build-up off of the motor to prevent fire or engine overheating.
- **SPLITTING LOGS:** Never split any logs which contain nails, cables or dangerous foreign substances. Make sure that always both ends of the log you are just processing are split as square as possible. This is the only way to guarantee that the log will not be forced out of its vertical position, while branches must have been cut off flush.

Never split any logs, whose dimensions are bigger than those specified under "size of logs". Otherwise, injuries or irreparable damage to the machine will be the result. Split the logs along the grain.

Never place a log on this splitter crosswise to split it this way. This could result in injuries and damage to the machine.

Never pile up the logs in order to process several logs at the same time. Parts of the wood could be flung off into the air and hit you.

- **PROTECT YOUR HANDS:** Never bring your hands in the vicinity of any gaps opening in the log as these may close in a matter of seconds and crush or even cut off your hands. Do not remove any jammed parts of a log with your hands. When the splitting wedge of the log splitter is returning keep your hands off the machine, as this log splitter has been designed so that it will automatically stop once the cylinder has fully retracted.
- **RUNNING: DO NOT** run this log splitter under full load for more than 5 seconds by keeping the cylinder pressed, for example, or if you want to split a hard log. This would result in quick overheating of the pressurized oil causing consequential damage to the machine. It is advisable to turn the log 90° and to try to split it at this position. If it is still impossible to split such log please dispose of it instead of subjecting it to any further splitting process to avoid damage to the machine.
- **SPLITTING WEDGE: DO NOT** press the splitting wedge against the log. You could cause breakage of the wedge or damage to the column.
- **DO NOT** use the log splitter under any circumstances when you are under the influence of alcohol, drugs or medications, or if you are tired.



WARNING

Like all machinery there is potential danger when operating this machine. Accidents are frequently caused by lack of familiarity or failure to pay attention. Use this machine with respect and caution to lessen the possibility of operator injury. If normal safety precautions are overlooked or ignored, serious personal injury may occur.



CAUTION

No list of safety guidelines can be complete. Every environment is different. Always consider safety first, as it applies to your individual working conditions. Use this and other machinery with caution and respect. Failure to do so could result in serious personal injury, damage to equipment, or poor work results.

ELECTRICAL SAFETY INFORMATION



WARNING

- **IMPORTANT:** Make sure that the electric circuit is fused, and that the power, voltage and frequency of the motor is supported by your mains supply. Also, make sure, that your power supply is earthed. Connect your log splitter to earth. Never open the **ON/OFF** switchbox. However, if it should become necessary to do so, contact a qualified electrician. Make sure that you will never touch live contacts, specifically when you plug or unplug your log splitter. This machine and its power cord must never get into contact with water.
- Never use its power cord to move/shift your log splitter. Always unplug the power cord before handling your log splitter. Do not yank the plug out of the wall socket by the cable and protect the latter against heat sources, oil and objects which can damage it. Neither expose your log splitter to rain and wetness.
- **NOTE:** When equipment like this is being started a short-time voltage drop may occur, particularly if the mains quality is poor. Such drops can affect other consumers (e. g. flickering of a lamp). At a mains impedance of $Z_{max} < 0.448 \Omega$, such trouble is not to be expected.

ELECTRICAL CONNECTION

- The single-phase 230 V/50 Hz motor of this log splitter should be connected to a standard 230 V + 10 %/50 Hz + 1 Hz power supply source provided with a residual-current circuit breaker.
- **CAUTION:** Any unprofessional use of extension cables can cause overheating to this log splitter. Ensure that the extension cable is not longer than 10 m and its wire cross section is not less than 2.5 mm². Never use uninsulated or bare cables, respectively. The extension cable must be suitable for outdoor use.

OPERATION SAFETY INFORMATION



WARNING

This machine presents serious injury hazards to untrained users. Read through this entire manual to become familiar with the controls and operations before starting the machine.

LOCATION

The logsplitter must be placed on a firm, flat, grass or dirt surface to prevent the machine from tipping. **DO NOT** place the machine on concrete, asphalt, or other hard surfaces. The chips could bounce up from the hard surface and cause injury.

WORKING AREA

Consider the length of the material to be processed through the logsplitter and make sure that there is enough height above the logsplitter to accommodate the material.

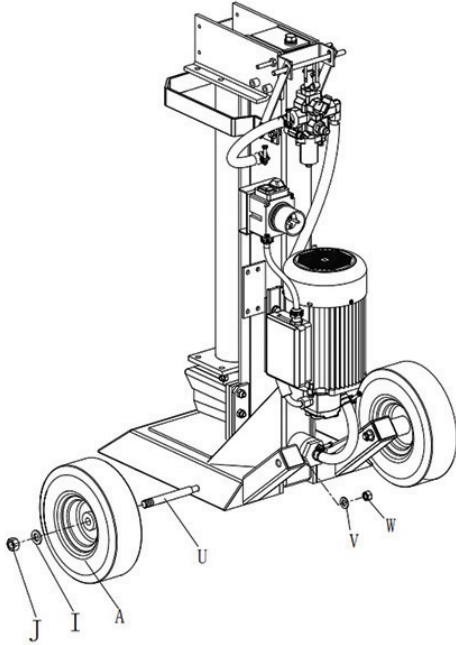
Make sure the unit is located close to the area where the chips are going to be used to reduce carrying.

Stay clear of the discharge area. Make sure all bystanders, children, pets, or objects that you do not want damaged or covered in chips, are clear of the discharge area.

ASSEMBLY

The major components of this logsplitter have been assembled at the factory. Some minor assembly is required, the assembly process will use some the parts and hardware listed in the package contents list.

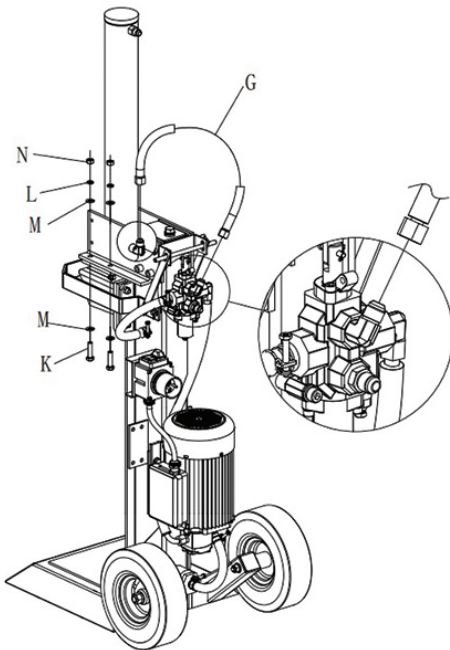
(a) Install the Foam Tire to the main body by using Wheel Axle, Nut M16, Washer \varnothing 16, Washer \varnothing 12 and Nut M12



(b) Assemble the (g) HIGH PRESSURE HOSE A.

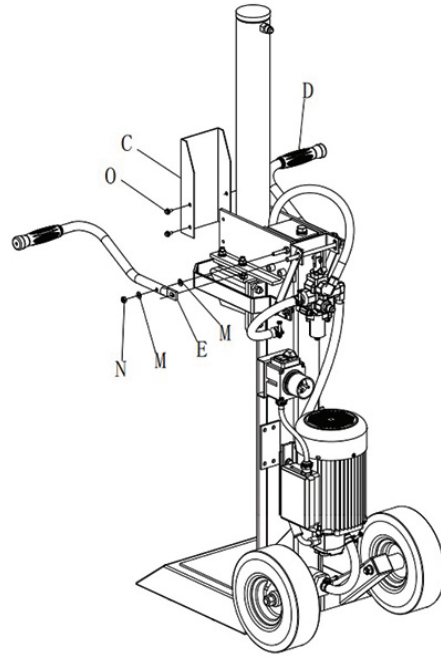
(c) Assemble the cylinder by using BOLT M10x35,

(s) SPRING WASHER \varnothing 8, WASHER \varnothing 10 and NUT M10.



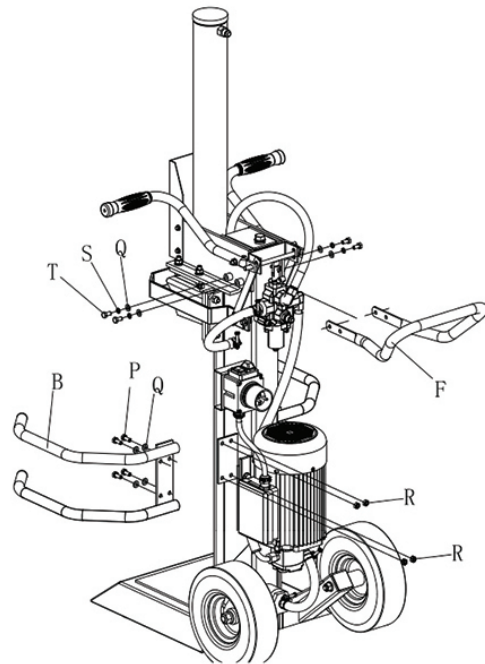
(d) Assemble the Handle Connecting Plate on both sides by using Washer \varnothing 10 and Nut M10

(e) Assemble the Protection Cover by using Bolt M6x12

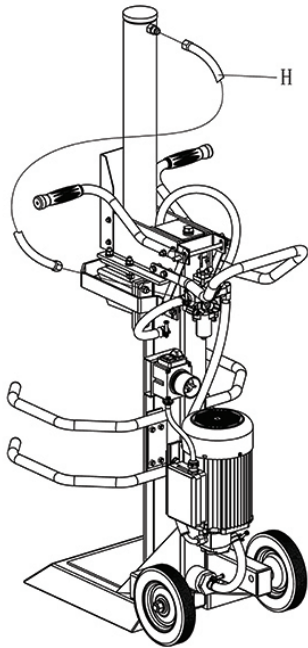


(f) Assemble the Handle Bar by using Spring Washer 8, Washer 8, Bolt M8x16.

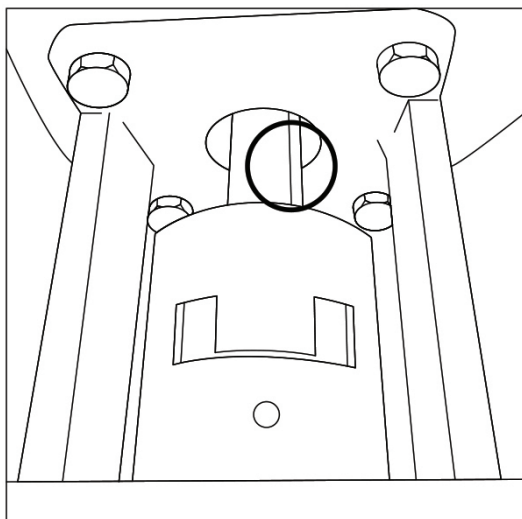
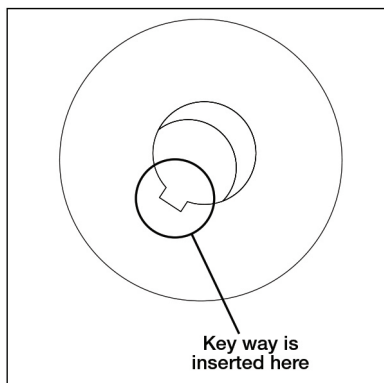
(g) Assemble the Protection Pipe by using Washer 8, Bolt M8x20, Nut M8.



(h) Attach all the *HOSES* to the machine as the following, including *HIGH PRESSURE OIL B*.



The drive hub needs to be located between the engine and the hydraulic pump, ensure the key way is firmly in place when fitting the pump to the engine (circled in the picture above and below), failing to ensure this is done correctly, will lead to the pump not turning and no hydraulic pressure being created.

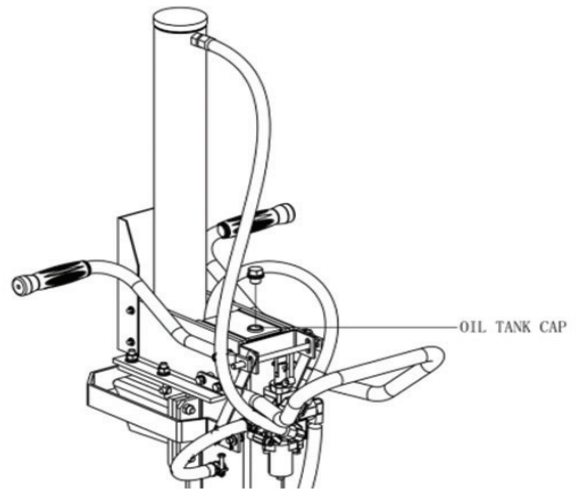


STARTING

For easier handling, this log splitter is provided with two wheels. To move the log splitter hold the transport handle with your hands and carefully tilt back the log splitter. Make sure that the oil tank cap is closed.

NOTE: FILL WITH HYDRAULIC OIL BEFORE USING THE MACHINE. We recommend 7.5 Litres of hydraulic oil (*oil type 46*).

(a) Remove the oil tank cap, fill enough hydraulic oil and fix tightly before using.



(b) The machine must be placed on a stable and secured surface to avoid against skidding. Provide sufficient room around your log splitter so that you can safely operate it.

(b) Ensure that no unauthorised persons (*especially children*) can approach your working area.

(c) Prior to startup, all guards and safety devices must have been properly attached. Check whether all screws, bolts, hydraulic couplings and pipe clamps have been properly tightened. Always make sure before each starting that the hydraulic oil level is sufficient.

(d) This machine must never be used when it is in an inoperable condition or needs some maintenance. Before using this log splitter, get familiar with its controls and safety elements and with how they work. Make sure that the data indicated on the type label conform with your mains data before you connect your log splitter.

RECOMMENDED LOG SIZE

Choose your workplace in consideration of your safety regulations. Keep your logs to be split ready to hand. Remove the split logs from the working area.

Before you split your logs, sort out those logs which are longer than 65 cm. If you want to split logs which are very big in diameter it is recommended that they should not exceed a maximum length of 40 cm. Always choose the suitable height for the respective log length. Always use the locking device to secure the table at the desired position.

Do not run this log splitter under full load for more than 5 seconds.

NOTE: NEVER TRY TO SPLIT WET WOOD.
DRY WOOD IS MUCH EASIER TO SPLIT THAN WET, WET LOGS.
IN ADDITION, IT DOES NOT TEND TO GET JAMMED
DURING SPLITTING AS FREQUENTLY.

OPERATION



WARNING

Damage to your eyes, hands, and ears could result from using this machine without proper protective gear. Always wear safety glasses, hearing protection, and gloves when operating this machine.

Loose hair and clothing could get caught in machinery and cause serious personal injury. Keep loose clothing and long hair away from moving machinery parts.

NOTE

If you have never used this type of machine or equipment before, we recommend that you read books, trade magazines, or get formal training before beginning any projects.

This logsplitter does not have hydraulic oil when shipped. Add oil before operating the logsplitter, or the logsplitter will seize.

Understand and follow all of the safety precautions listed in safety instructions within this manual before operation.

This logsplitter is intended for splitting logs only. **DO NOT** use this logsplitter for chipping construction debris, plastic, paper products, rope or twine, or any material that may contain metal.

NOTE: Remove any nails, rope, twine, or rocks that may be imbedded in roots, before inserting material into the logsplitter.

OPERATION CHECKS

To ensure longer life apply some grease to the sliding surfaces of the arm whenever you intend to use this machine.

Always lay the power cord so that it cannot be damaged by the logsplitter.

Check the running direction of the motor. When you start the motor the splitting wedge will automatically move to its topmost position.

If the splitting wedge is already at its topmost position press the two operating levers down to activate the splitting mechanism. This will bring the splitting wedge down.

If the splitting wedge does not move upwards after you have started the motor immediately stop the machine. Use a screwdriver to change the polarity of the motor. (electrician required)

CAUTION

NEVER RUN THE MOTOR IN THE WRONG DIRECTION. THIS WILL INEVITABLY LEAD TO DAMAGE TO THE PUMPING SYSTEM, AS A RESULT YOU WILL VOID YOUR WARRANTY.

If you want to run this log splitter at low temperatures run the machine idle for 15 minutes allowing the hydraulic oil to warm up.

Prior to beginning your work, perform the following steps to check the functionality of your log splitter.

Press both operating levers down. This must bring the splitting wedge down.

Pull up both levers will induce the splitting wedge to automatically return to the top.

Place vertically under the splitting wedge the log to be split. Make sure that the log is even and does not fall over on the splitting table. Never try to split canted logs.

IMPORTANT

ALWAYS SPLIT YOUR LOGS ALONG THE GRAIN. NEVER LOAD THE LOGS CROSSWISE TO THE GRAIN, AS THIS CAN LEAD TO SEVERE DAMAGE TO THE MECHANICAL AND HYDRAULIC SYSTEMS.

Hold the log with both levers to guarantee a stable standing position of the log. Then move both levers down to split the log.

Immediately remove the split log parts from your working area and pile them up, if necessary. Thus you can reduce the risk of working accidents.

After you have finished your work, allow the splitting wedge and the arm move to their topmost positions .

Then stop the motor and unplug the machine from your power supply source. Allow the machine to cool down.

After that, you should clean and, if necessary, lubricate your machine. This log splitter may only be stored in vertical position and at a dry and clean place. Ensure that the oil tank cap is well closed and that no oil will emerge during storage.

CAUTION

Always disconnect your power supply source from your machine before you begin to release any jammed logs.

DO NOT allow any other persons to assist you in releasing a jammed log.

When releasing a jammed log, never use foreign objects to remove the jam. Please do not maltreat the jammed log with your feet or with any objects, as a sudden release of the jammed log will cause the log pusher to give way which can lead to personal injuries or damage to your machine.

The manufacturer will not be liable to any injuries of persons or animals or to damage to property as a result of improper use of this machine or of non-observance of the safety regulations.

MAINTENANCE



WARNING

Turn **OFF** the machine, allow all moving parts to come to a complete stop, and disconnect the power cord before maintaining the machine.

Maintain your log splitter carefully. Clean the machine after each use. To guarantee the best possible and safest performance keep your log splitter clean. Check all seals, pipes and couplings for leakage before you start your log splitter. Keep the operating levers and the mains switch clean, dry and free of oil or grease. Lubricate the machine when required.

VISUAL INSPECTION

Before and after using the logsplitter, closely inspect the machine for loose parts and damage.

Check the pressure hose and motor for signs of damage.
Check the frame for cracks or damage.
Check the entire machine for loose bolts or screws.
Check the splitting wedge for cracks and dings.
Check the hydraulic oil level.

CLEANING

Unplug the power cord.
Use a moist cloth to clean the plastic parts. Do not use any cleaning agents, solvents or pointed objects.
Use a soft brush to remove dust deposits from the motor ventilation slots and from moving parts at regular intervals.
Apply some oil to all moving parts at regular intervals.

DO NOT rinse off the logsplitter with water. Remove any chips or debris from the logsplitter with a dry brush or cloth.
It is much harder to clean the machine if you allow it to sit for a while after use.

OIL

IMPORTANT: Take waste oil to a public receiving depot or observe the relevant disposal regulations of your country where this log splitter is used. Do not dispose of the oil into sewerage systems, into the soil or into water bodies of any kind.

The hydraulic system is a closed system consisting of an oil tank, an oil pump and of control valves. Low oil levels can damage the pump. The oil level should not be lower than 1 – 2 cm above the lower surface of the oil tank.

Change the oil completely once per year.

**Ensure that no foreign particles will get into the oil tank.
Properly dispose of the waste oil after each oil change.
Allow your log splitter to run idle for a few minutes after each oil change before you place it into operation again.**

The following oil grades are suitable for this log splitter: **46**

STORAGE

Place the logsplitter in a dry, level area. If the logsplitter is tipped it may leak hydraulic oil.

DO NOT store the logsplitter near an ignition source, such as a wood stove, gas or electric heater, or an appliance or heater with a pilot light.

TROUBLESHOOTING

Problem	Possible Cause	Possible Solution
Motor Does Not Start	No power in wall socket.	Check fuse box
	Extension cable defective	Unplug, check and use new one, if necessary
	Wrong supply, 400 V, three-phase current	5-pole plug with 1.5 mm diameter
	Switch defective	Have it checked by electrician
Wrong Motor Direction	Reversed polarity	Change polarity using a screwdriver <i>(electrician required)</i>
Splitter Not Moving Although Motor Is Running	Valve not opened, caused by loose connection	Tighten loose parts
	Oil level too low	Replenish oil
Splitter Working, However, With Untypical Noise & Vibration	Oil level too low	Replenish oil

ENVIRONMENT

Disposal



Your product, accessories and packaging should be sorted for environmental-friendly recycling.

Electronic equipment should not be disposed of in household waste. For the proper disposal, treatment, recovery and recycling, please take these products to your local waste management center.

Disposing of this product correctly will help to save valuable resources and prevent any potential adverse effects on human health and the environment which could otherwise arise from inappropriate waste disposal and handling. Please contact your local authority for further details of your nearest designated collection point. Penalties may be applicable for incorrect disposal of this waste in accordance with national legislation.

Only For EC Countries

Do not dispose of power tools into domestic waste. Power tools that are no longer usable must be collected separately and disposed of in an environmentally friendly way.

TECHNICAL DATA

MODEL	HYLS8000V
Max Force	8T
Speed (rpm)	2400
Motor Type	230V/50Hz/3000 W/IP54
Starting System	Electric
Splitting Capacity (cm)	40X65
Oil Capacity (L)	7.5
Splitting Wedge Stroke (mm)	192
Forward Speed	3.25cm/sec
Reverse Speed	4cm/sec
Dimensions (mm)	900x610x1550
Net Weight (kg)	100

WARRANTY

Register your 3 year warranty within 30 days of purchase at:

<https://hyundaipowerequipment.co.uk/warranty>

Full warranty term and conditions can be found on the HYUNDAI POWER PRODUCTS website:

www.hyundaipowerproducts.co.uk

GENPOWER LTD confirms that this HYUNDAI POWER PRODUCT conforms to the following CE Directives:

EN 55014-1:2017
EN 55014-2:2015
EN 61000-3-2:2014
EN 61000-3-3:2013

EC DECLARATION OF CONFORMITY

The undersigned, as authorised by: Genpower Ltd
Declares that the following equipment manufactured under license by Hyundai Korea

Conforms to the Directive:

EN 55014-1:2017
EN 55014-2:2015
EN 61000-3-2:2014
EN 61000-3-3:2013

Of the European Parliament and of the council on the approximation of the laws of the Member States relating to the noise emission in the environment by equipment for use outdoors.

Equipment Category: Logsplitters
Product Name/Model: HYLS8000V
Type: Electric Logsplitters

The technical documentation is kept by: Roland Llewellyn, Genpower Ltd
Isaac Way, Pembroke Dock
Pembrokeshire, SA72 4RW

The conformity assessment procedure followed was in accordance with annex V or VI of the Directive.

Notified Body: TÜV Rheinland, LGA Products GmbH, TillystraBe 2, 90431 Nurnberg

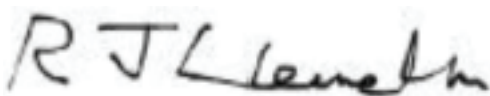
Certification No: AE 50369469 0001

Measured Sound Power Level: 91.6dB(A)

A copy of this certificate has been submitted to the European Commission and to EU Member State United Kingdom.

Place of Declaration: Pembroke Dock, SA72 4RW
Date: Friday, 04 October 2019
Signed By: Roland Llewellyn
Position in Company: Managing Director

Name and address of manufacturer or authorised representative:



Genpower Ltd, Isaac Way, Pembroke Dock, Pembrokeshire, SA72 4RW.

UPDATES

Our manuals are constantly being reviewed and updated.
Should you find an error, omission or something unclear, please contact us for assistance.

We reserve the right to make any modifications without prior notice whenever necessary.

All our manuals can be downloaded at:

www.hyundaipowerproducts.co.uk

HYUNDAI

POWER PRODUCTS

Imported for:
GENPOWER LTD
Isaac Way, London Road,
Pembroke Dock, UNITED KINGDOM, SA72 4RW
T: +44 (0) 1646 687 880 F: +44 (0) 1646 686 198
E: info@hyundaipowerequipment.co.uk
www.hyundaipowerproducts.co.uk

Imported/Distributed by Genpower Ltd for The United Kingdom & Ireland

Licensed by Hyundai Corporation, Korea