

RV Petrol Generator

HY3500RVi

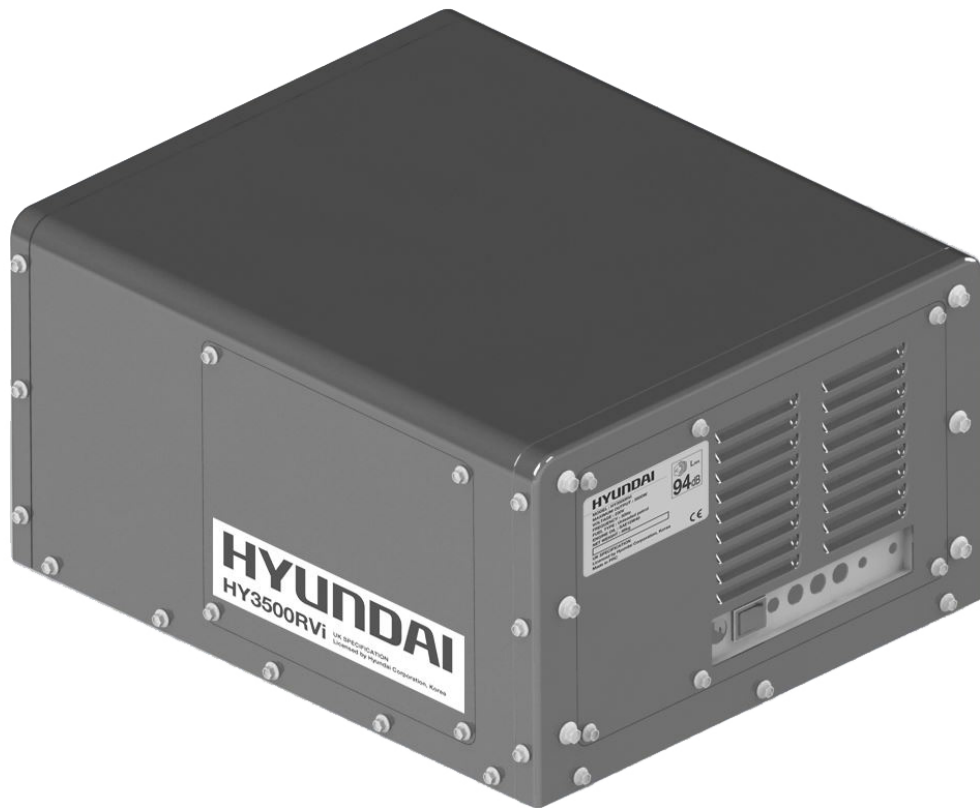
User Manual



FOR YOUR SAFETY

You must read and understand
this manual before use.

Keep this manual for future reference.



HYUNDAI

Licensed by Hyundai Corporation, Korea

INDEX

	CONTENTS	PAGE NO.S
1	SAFETY	3 - 7
2	PART LOCATIONS	8
3	ASSEMBLY	9 - 12
4	STARTING PROCEDURE	12
5	STOPPING PROCEDURE	13
6	USING THE MACHINE	14 - 15
7	MAINTENANCE	16 - 19
8	TROUBLESHOOTING	20
9	SPECIFICATION	21
10	RECYCLING	22
11	DECLARATION OF CONFORMITY	23
12	CONTACT DETAILS	24
13	WARRANTY	24

1. SAFETY

1.1 General Safety Notes.

- 1.2 The operator of the machine is responsible for, and has a duty of care in making sure that the machine is operated safely and in accordance with the instructions in this user manual. Keep the manual safe and pass it on if the machine is loaned or sold to another user.
- 1.3 Please note the following safety points.
- 1.4 The machine should never be left in a condition which would allow an untrained or unauthorised person/s to operate this machine.
- 1.5 All due care and diligence should be taken by the operator for the safety of and with regard to those around whilst using the machine.
- 1.6 Some or all of the following - warning signs, symbols and/or PPE pictograms may appear throughout this manual. You **MUST** adhere to their warnings. Failure to do so may result in personal injury to yourself or those around you.



DANGER

Indicates a hazard, which, if not avoided, could result in serious injury or death.



WARNING

Indicates a hazard, which, if not avoided, could result in serious injury.



CAUTION

Indicates a hazard which, if not avoided, might result in minor or moderate injury.

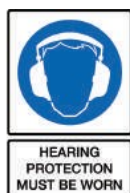


NOTE

Indicates a situation that could easily result in equipment damage.

READ and keep the manual safe and pass it on if the machine is loaned or sold to another user.

You **MUST** fully understand all instructions to ensure you use and operate the machine safely.



Appropriate Personal Protective Equipment (PPE), **MUST** be worn at all times when operating or repairing the machine.



1.10 Carbon Monoxide (where applicable).

1.11 Carbon monoxide is a colourless and odourless gas. Inhaling this gas can cause death as well as serious long term health problems such as brain damage.

1.12 The symptoms of carbon monoxide poisoning can include but are not limited to the following;
Headaches, dizziness, nausea, breathlessness, collapsing or loss of consciousness.

1.13 Carbon monoxide poisoning symptoms are similar to flue, food poisoning, viral infections and simply tiredness. It is quite common for people to mistake this very dangerous poisoning for something else.

1.14 To avoid carbon monoxide poisoning **DO NOT** use Petrol/Diesel powered equipment inside any of the following; Home, garage, tent, camper van, mobile home, caravan or boat. This is not exhaustive and if you are in any doubt contact your dealer.

1.15 If you think you have or someone around you has been affected by carbon monoxide poisoning;

1.16 Get them fresh air immediately, by leaving the affected area or by opening doors and windows. If safe and practical to do so make sure that the machine is turned off.
DO NOT enter a room you suspect of having carbon monoxide present – instead call the emergency services.

1.17 Contact a Doctor immediately or go to Hospital – let them know that you suspect carbon monoxide poisoning.

1.18 **DO NOT** use in an enclosed area or moving vehicle.

1.20 General Fuel Safety (where applicable).



CAUTION

ALL FUELS ARE FLAMABLE

1.21 Fire Hazard – keep fuel away from all sources of ignition for example heaters. Lamps, sparks from grinding or welding.



1.22 **DO NOT** carry out hot work on tanks that have contained fuel.

1.23 **ALWAYS** keep the work area tidy.

1.24 **ALWAYS** clean up spills promptly using absorbent granules and a lidded bin.

1.25 **ALWAYS** dispose of waste fuels correctly.

1.30 **Fueling/De-fueling (where applicable).**



CAUTION

ALL FUELS ARE FLAMABLE

1.31 **ALWAYS** fuel and defuel in a well ventilated area outside of buildings.

1.32 **ALWAYS** wear correct, suitable and fit for purpose Personal Protective Equipment (PPE), suggested items are but not limited to safety gloves, overalls.



1.33 When fueling/de-fueling **ALWAYS** avoid inhaling fumes.

1.34 When de-fueling **ALWAYS** use a proper fuel retriever.



1.35 **ALWAYS** carry fuel in the correct and clearly marked container.

1.40 Electrical Safety (where applicable).

1.41 Electricity can kill – **NEVER** work on **LIVE/ENERGISED** equipment.

1.42 Prior to carrying out any maintenance work you **MUST** identify electrical isolation methods and isolate all electrical supplies.

1.43 Prior to use and with all electrical supplies isolated, you **MUST** check all electrical cables, plugs and connectors for the following;

1.44 Are intact and have no signs of damage, to include but not limited to bare wires, chaffing, cuts and loose wiring.


1.45 If there are any signs of damage, the damage item **MUST** be taken out of service until the damage has been repaired by an electrically competent person.

1.46 All trailing cables should be routed so as not to cause any kind of trip hazard.

1.47 **NEVER** work on or near electricity with wet hands, wet clothing and wet gloves.



1.50 Batteries (where present).

- 1.51 Batteries present a risk if they become damaged by the possible leaking of electrolyte. This electrolyte is an acid and can cause serious burn injuries. Care should be taken when working on or near them. **NOTE** the electrolyte may be in a liquid or gel form.
- 1.52 Should you come in to contact with electrolyte you should;
- 1.53 Remove all clothing contaminated with electrolyte. If you cannot remove then saturate them in water.
- 1.54 Get medical assistance as soon as possible. You must advise the medical staff of the type of acid.
- 1.55 Lead/acid battery = dilute sulphuric acid.
- 1.56 Nickel/cadmium = potassium hydroxide alkali electrolyte.
- 1.57 Use fresh running water to wash off excess electrolyte, continue this until medical assistance arrives. Make sure that you do not wash the electrolyte to another part of your body or face.
- 1.58 If electrolyte comes in to contact with Eyes the electrolyte needs to be immediately washed away with large amounts of water. Make sure that you do not wash the electrolyte to another part of your face or body.
- 1.59 Gasses from charging batteries are highly flammable and great care should be taken to charge in well ventilated areas.
- 1.59.1  There is an explosion risk if the battery terminals are short circuited, when connecting/disconnecting **ALWAYS** exercise great care so that the terminals or battery leads are **NOT** allowed to touch and cause a spark. **ALWAYS** use suitable insulated tools.

1.60 Vibrations (where applicable).

- 1.61 Prolonged use of hand held (operated) machines will cause the user to feel the effects of/from vibrations. These vibrations can lead to white finger (Raynaud's phenomenon) or carpal tunnel syndrome. This condition reduces the ability of the hand to feel and regulate temperature, causing numbness and heat sensations and may cause nerve damage and circulatory tissue death.
- 1.62 Not all factors that lead to white finger disease are known, but cold weather, smoking and other diseases that affect blood vessels and blood circulation as well as large and long-lasting impact of shocks are considered factors in the formation of white finger. Note the following to reduce the risk of white finger and carpal tunnel syndrome;
- 1.63 Wear gloves and keep your hands warm.
- 1.64 Take regular breaks.
- 1.65 All of the above precautions may help reduce the risk of white finger disease but not rule out the carpal tunnel syndrome. Long-term and regular users are therefore recommended to observe the condition of your hands and fingers. Seek medical attention immediately if any of the above symptoms should occur.

1.70 Noise (where applicable).

- 1.71 The operating noise of the machine can damage your hearing. Wear hearing protection such as earplugs or ear defenders to protect your hearing. Long-term and regular users are advised to have hearing checked regularly. Be especially vigilant and cautious when hearing ear protection because your ability to hear alarm warnings will be reduced.
- 1.72 Noise emissions for this equipment is unavoidable. Carry out noisy work at approved times and for certain periods. Limit the working time to a minimum. For your personal protection and protection of people working nearby it is also advisable for them to wear hearing protection.

- 1.73 See Certificate of Conformity section for Outdoor Noise declaration of conformity.



2. PART LOCATIONS



1	Generator Set
2	Exhaust
3	24 Litre Stainless Steel Fuel Tank
4	Remote LCM Controller

OPTIONS

1. Vehicle Under Mount Kit.
2. Vehicle Slide Out Mounting Kit.

3. ASSEMBLY

CAUTION

Always have assistance when lifting the generator.
The generator is heavy, lifting it could cause personal injury.
Avoid cutting on or near staples to prevent personal injury.

CAUTION

This device should only be installed by a qualified professional.
Improper installation can cause damage or serious injury to the generator, vehicle or user.

WARNING

The exhaust will produce Carbon Monoxide, a colourless, odourless gas that if inhaled can cause serious illness or death.
The exhaust gasses must exit away from any doors or window that may be opened on the vehicle to avoid gasses entering the vehicle.

WARNING

ALL FUELS ARE FLAMMABLE

This product uses a separate fuel tank and must be installed in a safe location by a professional.

Attention must be made to the location of the fuel tank and filler cap to ensure installation complies with safety regulations.

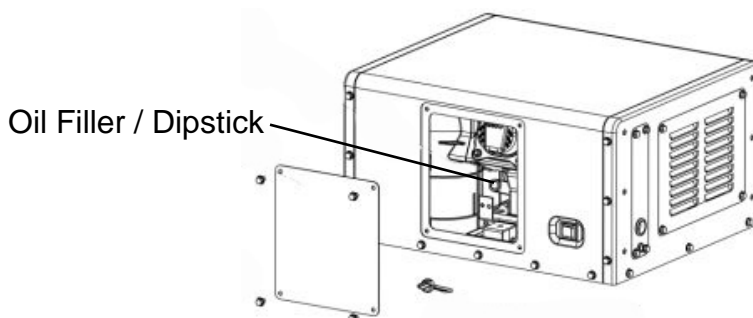
GENERATOR

NOTE

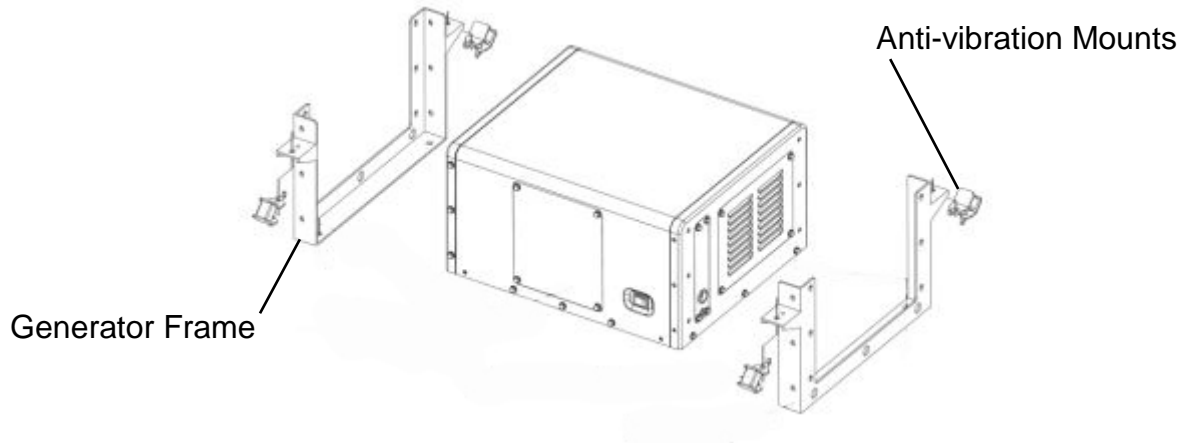
The generator is shipped without oil and **MUST** be filled before operation.

Recommended Oil: 500ml of Semi-Synthetic SAE 15W40 Engine Oil

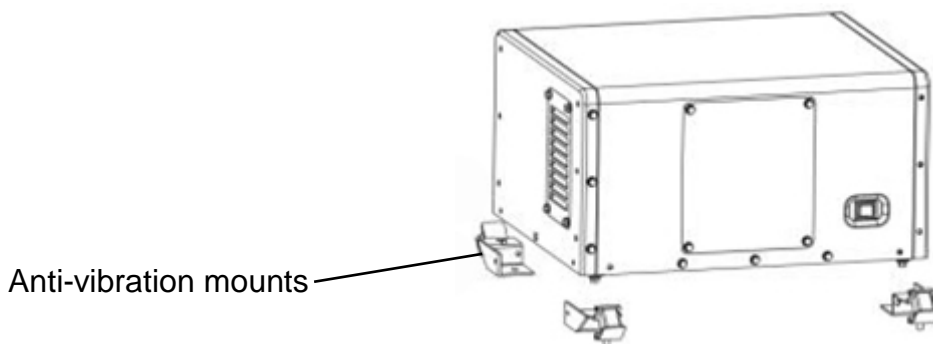
- 2.0 Open the front panel and remove the oil filler cap/dipstick.
- 2.1 Slowly fill with 500ml of semi-synthetic 15W40 engine oil, stop and check the level as you fill.
- 2.2 Fill to the upper mark on the dipstick then securely replace the dipstick and panel.



- 2.3 Inspect the vehicle that the generator is to be installed to and find a suitable location to mount all the parts, taking into consideration the vehicle chassis, exhaust route, fuel tank and brake lines.
- 2.4 The generator air inlet will require unobstructed access to fresh air for the engine to run smoothly and efficiently.
- 2.5 Once a suitable mounting location has been found, install the generator.
- 2.6 If using the fixed mounting, attach the generator directly to the generator frame, then attach the anti-vibration mounts to the top of the frame to be mounted to the vehicle.

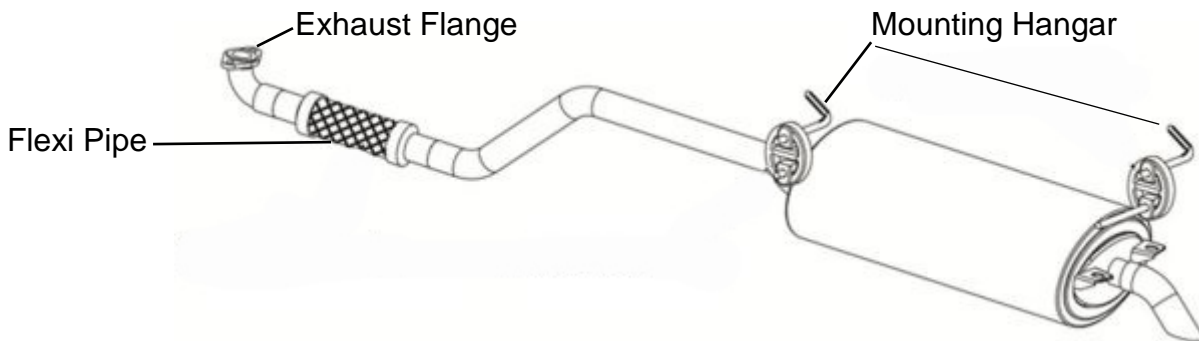


- 2.7 If using the slide out frame option, fix the anti-vibration mounting direct to the base of the generator then fix to the slide out frame.



EXHAUST

- 2.8 The exhaust must be fitted to the underside of the vehicle.
- 2.9 The exhaust comes with a flexi pipe for easy installation.
- 2.10 Use a suitable exhaust sealing paste to mount the exhaust flange to the generator manifold.
- 2.11 It is advisable to use exhaust heat wrap between the exhaust flange and the flexi pipe.



FUEL TANK

- 2.12 The fuel tank needs to be installed in a suitable and safe location
- 2.13 The fuel filler cap must be installed on the exterior of the vehicle and easy to access for refuelling purposes.
- 2.14 Only use fuel grade hoses for installation.

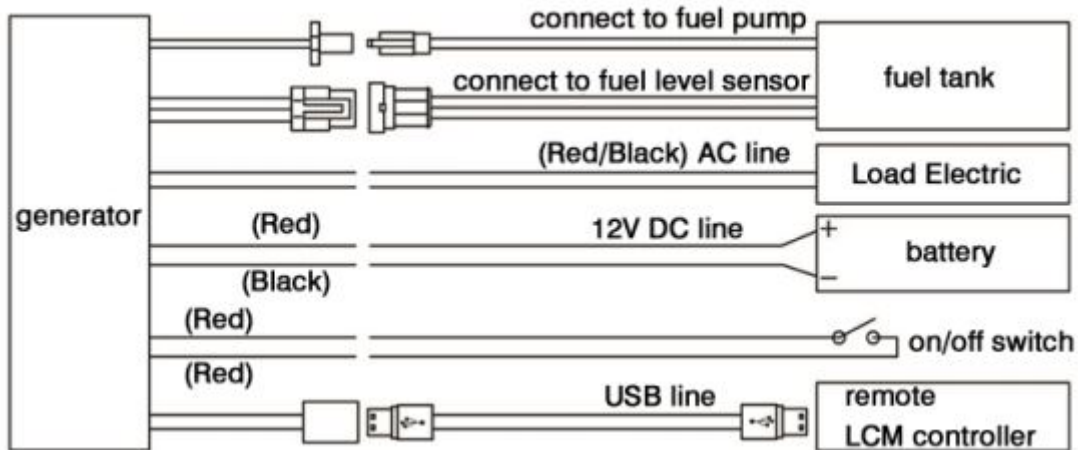
REMOTE LCM

- 2.15 The remote LCM controller should be installed for easy access.
- 2.16 Connect to the generator using the USB cable provided.



WIRING DIAGRAM

- 2.17 Use copper wires 10mm² or higher to connect to the vehicle battery.
- 2.18 Keep the distance from the battery to the generator as short as possible.
- 2.19 The generator on/off switch should be easy to access and near the remote LCM controller.



4. STARTING PROCEDURE

! IMPORTANT

DO NOT overload the generator. **DO NOT** overload individual output sockets.

If the current rating of any socket is exceeded, that generator will shut down AC power and show as AC OFF on the remote LCM controller.

! NOTE

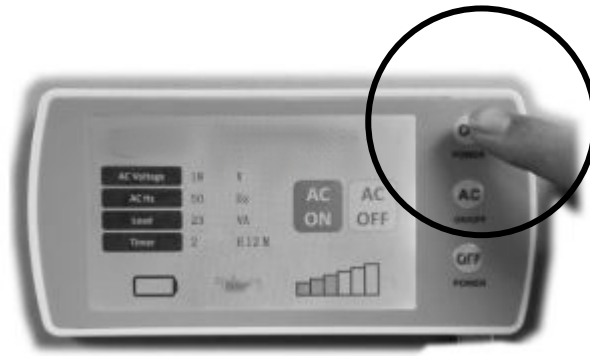
Connect all electrical loads in the **OFF** position then turn **ON** for operation.

Turn all electrical loads **OFF** and disconnect from the generator before stopping the generator.

Exceeding the generators wattage/current capacity could damage the generator and/or the electrical devices connected to it.

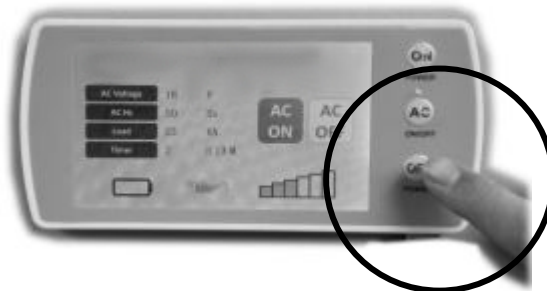
DO NOT exceed the generators wattage/current capacity.

- 3.0 Turn the main generator power switch to the ON position.
- 3.1 Press the Power ON button on the remote LCM controller to start the generator.
- 3.2 The remote LCM controller should display AC OFF.



5. STOPPING PROCEDURE

- 4.0 Switch off all loads and unplug them from the generator outlet sockets. **NEVER** start or stop the engine with electrical devices plugged in and turned on.
- 4.1 Let the engine idle with no load for several minutes.
- 4.2 Press the Power OFF button on the remote LCM controller.
- 4.3 Turn the main generator switch to the OFF position.



6. USING THE MACHINE



WARNING

The exhaust system heat and/or gasses could ignite combustible structures or damage the fuel tank causing a fire, resulting in property damage, serious injury or death.

Contact with the exhaust area could cause burns resulting in serious injury.

DO NOT touch hot parts and **AVOID** hot exhaust gasses.

You **MUST** allow the equipment to cool before touching.



IMPORTANT

DO NOT overload the generator. **DO NOT** overload individual output sockets.

If the current rating of any socket is exceeded, that generator will cut power to the device and switch back to AC OFF mode.



NOTE

Connect all electrical loads in the **OFF** position then turn **ON** for operation.

Turn all electrical loads **OFF** and disconnect from the generator before stopping the generator.

Exceeding the generators wattage/current capacity could damage the generator and/or the electrical devices connected to it.

DO NOT exceed the generators wattage/current capacity.

5.0 If overloaded, the generator will cut the power supply and switch back to AC OFF mode on the remote LCM controller.

5.1 Observe the following to prevent overloading of the unit;

Add up the total wattage of all electrical devices to be connected at one time. This total should NOT be greater than the generators wattage capacity.

The rated wattage of lights can be taken from light bulbs.

The rated wattage of tools, appliances and motors can usually be found on a data label or decal affixed to the devices.

If the appliance, tool or motor does not give wattage, multiply volts x ampere rating to determine watts.

(volts x amps = watts)

5.2 Some electrical induction motors require about three times more power for starting than for running.

This surge of power only lasts a few seconds when starting.

You **MUST** make sure you allow for high starting wattage when selecting electrical devices to connect to the generator.

5.3 Calculate the watts needed to start the largest motor.

5.4 Add to that figure the running watts of all other connected loads.

- 5.5 Start the largest motor first and only one motor at a time.
- 5.6 With no electrical loads connected the remote LCM controller will display AC OFF to save fuel.
- 5.7 Allow the generator to run under AC OFF for a few minutes to allow it to warm up.
- 5.8 After a few minutes press the AC ON button on the remote LCM controller.



- 5.9 Connect the electrical load to the generator socket with the electrical load turned off.
- 5.10 Once connected, turn on the electrical load.
- 5.11 Once running, the remote LCM controller will go into power save mode and the screen will appear blank.
If you need to operate or check the generator status, press the Power ON button the remote LCM controller.
DO NOT press the AC or OFF buttons in order to avoid turning the power off during operation.

7. MAINTENANCE



CAUTION

All maintenance work should be carried out by a trained professional. Failure to follow service intervals may result in damage or poor performance of the generator and may not be covered by warranty.



CAUTION

Always refuel in a well-ventilated area with the engine off.

Whilst carrying out maintenance you must wear appropriate Personal Protective Equipment (PPE) when using this machine.

Suggested PPE: Sturdy footwear, work gloves, long trousers and hearing protection.

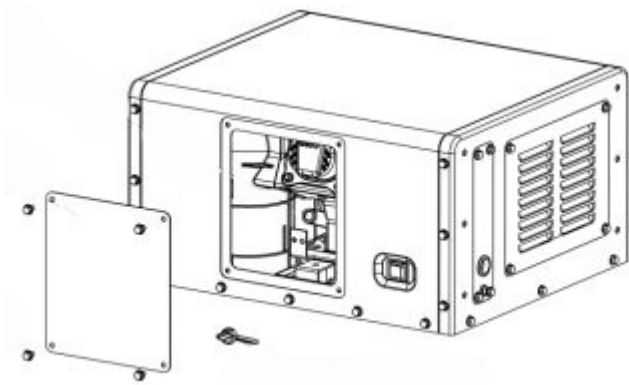
Maintenance	Every 100 Hours or 6 Months	Every 3 Years
Change Oil	X	
Clean / Adjust Spark Plug	X	
Clean / Adjust Valve Clearance	X	
Change Air Filter Elements	X	
Clean Fuel Tank & Filter	X	
Check Exhaust Mounts	X	
Replace Fuel Pipe		X

CLEANING

- 6.0 Cleaning the external of the generator.
- 6.1 Use a damp cloth to wipe exterior surfaces.
- 6.2 A soft bristle brush may be used to remove dust, dirt, oil etc.
- 6.3 A vacuum cleaner may be used to pick up loose dirt and debris.
- 6.4 Low pressure air (not to exceed 25 psi) may be used to blow away dirt.
- 6.5 Check cooling air slots and openings on the generator. These openings must be kept clean and unobstructed.

OIL

- 6.6 Oil Type: Semi-Synthetic SAE 15W-40 Engine Oil.
- 6.7 Oil capacity: 500ml.
- 6.8 Ensure the generator is level.
- 6.9 Remove the front plate of the generator.
- 6.10 Unscrew the oil filler/dipstick
- 6.11 Slowly fill with 500ml of semi-synthetic 15W40 engine oil, stop and check the level as you fill.
- 6.12 Refit the oil filler cap and make sure the cap is tightened.
- 6.13 Refit the front plate of the generator.
- 6.14 You **MUST** check the engine oil level before starting every session.



AIR FILTER



CAUTION

A dirty air filter will restrict air flow which will reduce engine efficiency.

When using the generator in very dusty areas you must clean or replace the air filter more often.

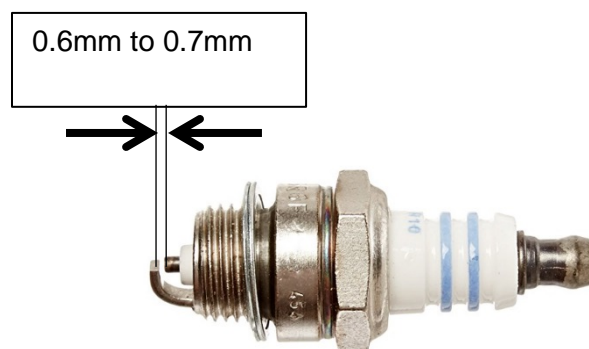
Never operate the machine without the air filter being fitted it can cause damage to the engine which is not covered by warranty.

- 6.15 Remove the generator from the installation brackets.
- 6.16 Undo the bolts to the louvered cover to expose the air filter cover.
- 6.17 Undo the bolt on the air filter cover and remove.

- 6.15 Ensuring no dirt or debris can enter, clean the inside of the air filter housing with a clean cloth.
- 6.16 If a paper filter element is installed then remove and inspect. Replace if necessary or clean with a soft brush or vacuum. **DO NOT** use high pressure air to remove dirt or debris as this will further clog the air filter.
- 6.17 If a foam filter is installed, to clean, wash in warm soapy water and allow to dry.
- 6.18 Once dry, soak in clean engine oil then squeeze to remove the excess.
- 6.19 Reinstall the air filter and air filter cover.

SPARK PLUG

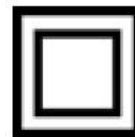
- 6.20 You **MUST** allow the engine to cool down before carrying out any maintenance.
- 6.21 Always replace with the same model spark plug as fitted.
- 6.22 To check spark plug, remove the generator cover.
- 6.23 Remove the spark plug HT lead cap and unscrew the spark plug.
- 6.24 Clean the spark plug electrode using a soft wire brush, making sure that there is no damage to the insulator or electrode.
- 6.25 If damage is found then replace the spark plug.
- 6.26 If the spark plug is to be reused, then check the spark plug gap.
- 6.27 The spark plug gap should be 0.70mm to 0.80mm. Check the gap by using a feeler gauge. Adjust as necessary by carefully bending the side electrode to achieve the correct gap.



- 7.13 Refit the cleaned and adjusted spark plug by hand to avoid cross-threading.
- 7.14 After spark plug seats then tighten as necessary but avoid over-tightening.
- 7.15 Re-attach the spark plug cap and generator cover.

GROUNDING (EARTHING) THE GENERATOR

- 3.16 The Requirement for Electrical installations BS 7971:2008 requires that the frame and external electrically conductive part of this generator be properly connected to an approved earth ground.
- 3.17 Proper grounding of the generator will help prevent electric shock in the event of ground fault condition in the generator or in connected electrical devices.
- 3.18 Proper grounding also helps dissipate static electricity, which often builds up in ungrounded devices.
- 3.19 Floating earth portable generator use.
- 3.20 This range of generators adopt a floating earth configuration which means that the Neutral of the alternator is not connected to the Earth of the machine.
- 3.21 It is therefore **IMPORTANT** that you **ONLY** use the generator to supply equipment in the following combinations.
 - 3.22 One or more of CLASS II equipment.
 - 3.23 Only ONE item of CLASS I equipment.
 - 3.24 One or more of CLASS II equipment and only ONE item of CLASS I equipment.
- 3.25 CLASS I equipment has a GREEN/YELLOW earth wire connected inside the plug.
- 3.26 CLASS II equipment DOES NOT have a GREEN/YELLOW earth wire connected inside the plug.
- 3.27 CLASS II equipment will have the following symbol embossed or printed on the casing.



8. TROUBLESHOOTING

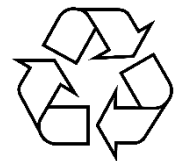
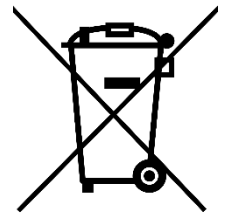
PROBLEM	POSSIBLE CAUSE	SOLUTION
Generator won't start	No Fuel	Fill Fuel
	Spark Plug Damaged	Replace Spark Plug
	Low Battery	Charge Battery
Generator starts but runs poorly	Low Oil	Fill Oil
	Weak ignition from Spark Plug	Change Spark Plug
	Low Fuel	Fill Fuel
Generator shuts down during operation	Low Oil	Fill Oil
	Low Fuel	Fill Fuel
Not enough power	Air Flow Obstructed	Increase Air Flow
	Exhaust Obstructed	Check exhaust has smooth exit
No AC Power	Electric load damaged	Replace electric load
	Overload	Reduce the electrical load
	Loose wires	Inspect and tighten wires
Remote LCM Controller not working	Overload	Reduce electric load
	Short circuit	Check for damaged or loose wires. Replace defective electrical load

9. SPECIFICATION

	MODEL	HY3500Rvi
Engine	Type	4 Stroke OHV Petrol Air Cooled
	Displacement – ml	208
	Engine Oil Capacity - ml	500
	Spark Plug	NGK BPR6ES
	Spark Plug Gap - mm	0.6 – 0.7
	Intake/Exhaust Valve Gap - mm	0.08 – 0.10
	Speed Regulation System	Electronic Control
	Starting Type	Remote Electric / Recoil Start
Alternator	Phase	Single
	Voltage Regulation	Digital Inverter Regulation
	Frequency – Hz	50
	Rated AC Voltage – V	230
	Power Output – kW	3.0
	Max Power Output – kW	3.5
	Fuel Tank Capacity - L	24
	Net Weight - Kg	46
	Dimensions – L x W x H mm	530 x 445 x 270
	Power Factor COS ϕ	1

10. RECYCLING & PRODUCT DISPOSAL

- 8.0 We do not offer a takeback scheme for the recovery of Waste Electrical Electronic Equipment (WEEE) & Batteries.
Instead the responsibility to dispose of WEEE and or Batteries is passed onto you by us.
So when it becomes necessary to dispose of your machine you must take it to your local Civic Amenity Site.
For further information please contact your local Authority for disposal advice.
- 8.1 You **MUST** make sure that all unused oil and fuel is disposed of correctly either beforehand or at your local Civic Amenity Site.
Under NO circumstances must any fuel or oil be put down any drains.
- 8.2 Certain products contain WEEE waste which should not be disposed of in your domestic waste.
- 8.3 You **MUST** recycle WEEE in accordance with your local authority or recycling centre.
- 8.4 Certain products contain batteries which should not be disposed of in your domestic waste.
- 8.5 You **MUST** recycle batteries in accordance with your local authority or recycling centre.
- 8.6 Unwanted packaging and materials should be stored and taken to a recycling centre so it can be disposed of in a manner which is compatible with the environment.
- 8.7 The following symbol means that you should 'Reduce – Reuse – Recycle'.
- 8.8 We are a Member of the VALPAK National Compliance Scheme and our registration number is **RM08660**
- 8.9 For further information about disposal please contact your Local Authority.
- 8.10 You can also get more advice and guidance about recycling at the following website <http://www.recycle-more.co.uk>
- 8.11 Should you pass this product on to another user either sold or loaned, you **MUST** pass on this user manual.
This will make sure that all other users can use and maintain this machine safely.



11. DECLARATION OF CONFORMITY

Genpower Ltd confirms that these Hyundai products conform to the following CE Directives.

97/68/EC	Non Road Mobile Machinery Directive
2000/14/EC	Outdoor Noise Directive
2004/108/EC	Electromagnetic Compatibility Directive
2006/42/EC	Machinery Directive
2006/95/EC	Low Voltage Directive

EC DECLARATION of CONFORMITY

The undersigned, as authorised by: **GENPOWER Ltd**

Declares that the following equipment manufactured under licence by Hyundai Korea

Conforms to the Directive **2000/14/EC (as amended)** of the European Parliament and of the council on the approximation of the laws of the Member States relating to the noise emission in the environment by equipment for use outdoors.

Equipment category: **Power Equipment**

Product: **HY3500RVi**

Name/Model:

Type/Serial No: **Generator**

Net installed power: **3.0kW**

The technical documentation is kept by: **Roland Llewellyn, c/o Genpower Ltd, Isaac Way, Pembroke Dock, Pembrokeshire, SA72 4RW**

The conformity assessment procedure followed was in accordance with annex V or VI of the Directive.

Notified Body: **AV Technology Ltd, Unit 12 Easter Court, Europa Boulevard, Warrington, Cheshire, WA5 7ZB**

Certificate N^{o5}/Test report
N^o: **OND-2016508-04-02 HY3500RVi**

Measured Sound Power Level: **94dB**

Guaranteed Sound Power Level:

A copy of this certificate has been submitted to the European Commission and to EU Member State United Kingdom.

Place of Declaration: **Pembroke Dock, SA72 4RW**

Date:

Name: **Roland Llewellyn**

Signature

:

RJLlewellyn

Position in Company:

Managing Director

Name & address of manufacturer or Authorised representative

Genpower Ltd, Isaac Way, Pembroke Dock, Pembrokeshire, SA72 4RW

12. CONTACT DETAILS

9.0	POSTAL ADDRESS	Genpower Ltd, Isaac Way, London Road, Pembroke Dock, Pembrokeshire. SA72 4RW. UK.
9.1	TELEPHONE	+44 (0) 1646 687880
9.2	FAX	+44 (0) 0164 686198
9.3	TECHNICAL EMAIL	aftersales@genpower.co.uk
9.4	WEBSITE	www.hyundaipowerequipment.co.uk

13. WARRANTY

To register your machine for the manufacturer's warranty, please visit
<https://www.hyundaipowerequipment.co.uk/warranty>

MANUAL UPDATES

- 10.0 Our manuals are constantly being reviewed and updated. However if you find an error, omission or something you find unclear, please contact your dealer for assistance.
- 10.1 Our latest manuals are also placed online.
- 10.2 We reserve the right to make any modifications without prior notice whenever necessary.

UK Distributor :
GENPOWER LTD
Isaac Way, London Road
Pembroke Dock, UNITED KINGDOM, SA72 4RW
T: +44(0) 1646 687 880 F: +44(0) 1646 686 198
E: info@hyundaipowerproducts.co.uk
www.hyundaipowerequipment.co.uk

HYUNDAI

Licensed by Hyundai Corporation, Korea