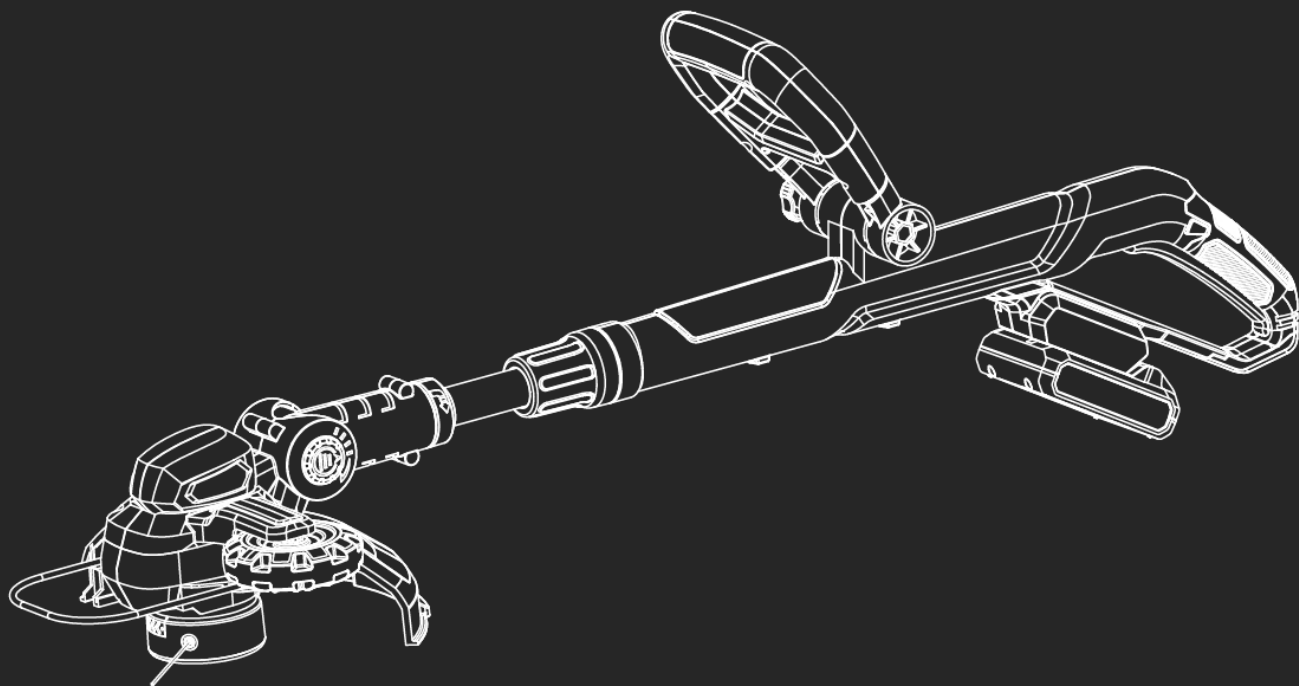


HYUNDAI
POWER PRODUCTS

20V Cordless Grass Trimmer HY2187

Instruction Manual



WARNING: Read the instructions carefully before use.

Contents

Introduction.....	3	Technical Data.....	32
Safety Information.....	4-13	Recycling And Disposal.....	33
Understand Your Machine.....	4	Declaration Of Conformity.....	34
Personal Safety.....	4-5	Useful Information.....	35
Inspect Your Machine.....	5	Our YouTube Channel.....	35
Work Area.....	6	Warranty.....	35
During Use.....	7	Manual Updates.....	35
Batteries.....	8	Returning Your Product.....	35
Charger.....	8	Leaving A Review.....	35
Electricity.....	8-9	Ordering Spare Parts.....	35
Double Insulated Devices.....	9	Product Record.....	36
Vibrations.....	10	Notes.....	37-38
Noise.....	10	Contact Us.....	39
Residual Risks.....	10		
Intended Use.....	11		
Personal Protective Equipment.....	12		
Symbols On The Machine.....	13		
Unboxing.....	15		
Features.....	16		
Assembly.....	17-20		
Attach Edging Wheel.....	17		
Trimmer Guard Installation.....	18		
Front Guard and Auxiliary Handle.....	19		
Insert Battery.....	20		
Operation.....	21-25		
Battery Charger Operation.....	21		
Machine Adjustment.....	22		
Edging Wheel Use.....	23		
Stopping and Starting.....	24		
Tips for Use.....	25		
Maintenance & Care.....	26-27		
General Maintenance.....	26		
Storage.....	26		
Replacing Trimmer Line.....	27-28		
Replacing Spool.....	29-30		
Snapped Line.....	31		
Troubleshooting.....	31		

Introduction

Thank You For Purchasing Your HYUNDAI Product

We work very hard to give all of our customers the best possible service. If you have any problems, before leaving negative feedback, please contact us to give us a chance to resolve the issue. We would be delighted if you left us positive feedback! Thank you for purchasing this product.

Important!



WARNING: READ THE INSTRUCTION BOOKLET THOROUGHLY BEFORE USING THE MACHINE. Keep for future reference and pass it on if the machine is loaned or sold to another user.

This manual has been produced by Hyundai Power Products and should be kept with the product. Please read and understand these instructions before you use your product. Failure to do this may result in personal injury or damage to the product.

The safety precautions and warnings are to ensure your safety and protect you from harm or damage to the product.

The information contained in this manual was accurate at the time of production, however HYUNDAI Power Products may make modifications to the product without notification.

Safety Information

Understand Your Machine

- **WARNING!** You must read these instructions carefully before operating the machine. Make sure that you are familiar with the controls and properly operate the machine. You must learn how to stop the machine quickly. If you do not follow the warnings and instructions, it may result in fire and/or serious injury. Make sure to save all warnings and instructions for future reference.
- Read this manual and labels affixed to the machine to understand its limitations and potential hazards.
- Be thoroughly familiar with the controls and their proper operation. Know how to stop the machine and disengage the controls quickly.
- If the unit is to be used by someone other than original purchaser, or is to be loaned, rented, or sold, always provide this manual and any needed safety training before operation. The user can prevent and is responsible for accidents or injuries that may occur to themselves, to other people, or to property.
- Do not force the machine beyond its limits. Use the correct machine for your application.
- Know how to stop the machine quickly in case of emergency. Understand the use of all controls.
- ALL MAINTENANCE other than that listed in this manual, should be carried out by professionally trained and certified personnel.
- When using this machine for the first time and before actual work, you **MUST** learn how to handle the machine from an experienced or skilled person.

Personal Safety

- **WARNING!** Never allow children or people unfamiliar with these instructions to use the product. Local regulations can restrict the minimum age of the operator.
- Keep children, pets, and other people not using the unit away from the work area (at least 15m). Be alert and shut off the unit if anyone enters work area. Keep children under the watchful care of a responsible adult.
- Stay alert, watch what you are doing and use common sense when operating the machine. Never operate the machine when unwell or tired, or if you have taken alcohol, medicine, drugs or any substances which may slow your reflexes and compromise judgment. A moment of inattention while operating the machine may result in serious personal injury.
- Appropriate Personal Protective Equipment (PPE), **MUST** be worn at all times when operating or repairing the machine. Always wear anti-slip and resistant work footwear and long trousers while using the machine. Do not use the machine when barefoot, wearing sandals or similar lightweight footwear. Do not wear chains, bracelets or clothing that is loose fitting or hanging ties or cords. Tie long hair back. Always wear protective earplugs. Loose clothes, jewellery, or long hair can be caught in moving parts. Protect eyes, face, and head from objects that may be thrown from the unit. Always wear safety goggles or safety glasses with side shields when operating.
- Always keep hands and feet away from all moving parts during operation. Moving parts can cut or crush body parts. Always keep hands and feet away from all pinch points.

Safety Information

Personal Safety (Continued)

- Do not touch parts that might be hot from operation. Allow parts to cool before attempting to maintain, adjust, or service.
- Do not overreach. Keep proper footing and balance at all times. This enables better control of the machine in unexpected situations. Extending your body too far can result in a loss of balance and you may fall which will result in injury.
- Never place any part of your body where it would be in danger if movement should occur during assembly, installation, and operation, maintenance, repairing or moving.
- Keep in mind that the operator or user is responsible for accidents, hazards or unexpected events involving the machine that occur to other people or their property. It is the responsibility of the user to assess the potential risk of the area where work is being carried out. The operator or user must take all necessary precautions to ensure their own safety and that of others, especially on slopes or rough, slippery and unstable ground.

Inspect Your Machine

- Check your machine before starting it. Keep guards in place and in working order. Make sure all nuts, bolts, etc., are securely tightened.
- You must check the general condition of the machine before use.
- Never operate the machine when it is in need of repair or is in poor mechanical condition. Replace damaged, missing, or failed parts before using it. Check for fuel leaks. Keep the machine in safe working condition.
- Do not use the machine if the machine's switch does not turn off the machine when running. Any machine that can't be controlled with the switch is dangerous and must be replaced.
- Regularly check to see that keys and adjusting wrenches are removed from the machine area before starting it. A wrench or a key that is left attached to a rotating part of the machine may result in personal injury.
- If the machine should start to vibrate abnormally, stop the machine and check immediately for the cause. Vibration is generally a warning sign of trouble.
- Avoid accidental starting. Be sure the switch is off before transporting the machine or performing any maintenance or service on the unit. Transporting or performing maintenance or service on a machine with its switch on invites accidents.
- Do not tamper with or disable safety systems.
- Only use manufacturer-recommended attachments.
- Before using, always visually inspect to see that the tools are not worn out or damaged. Replace worn out or damaged elements and bolts in set to preserve balance.
- Keep the machine in good operating condition. Operating the machine in poor or questionable condition could result in serious injury.
- Be sure all safety devices are in working order and warning labels are in place. These items are installed for your safety.

Safety Information

Work Area

- You must only work in daylight or with good artificial light in good visibility conditions. Do not work at night, at times of heavy fog, or at any other times when your field of vision might be limited and it would be difficult to gain a clear view of the area.
- Keep people, children and animals away from the working area.
- Operate on flat, level ground.
- Do not work in the rain, when there is a thunderstorm or lightning risk, at times of strong or gale force winds, or at any other times when the weather conditions might make it unsafe to use this product. If there is bad weather conditions, do not use the machine.
- Any liquid spilled on the floor may result in you slipping.
- DO NOT operate power tools in explosive atmospheres, such as in the presence of flammable liquids, gases or dust. Power tools may create sparks, which may ignite the dust or fumes.

Safety Information

During Use

- Do not operate the machine in confined areas where there may be a risk of crushing the operator between the machine and another object.
- Never attempt to make any adjustments, while the machine is running.
- You must switch off the machine:
 - Before checking or working on the machine.
 - When transporting the machine.
 - Whenever you leave the machine unattended.
 - If the machine starts to vibrate abnormally.
- **WARNING!** If something breaks or an accident happens whilst working, you must turn off the machine immediately and move the machine away to prevent further damage. If an accident happens with injuries or third parties are injured, carry out the first aid measures most suitable for the situation immediately and contact the medical authorities for any necessary health care. Carefully remove any debris that might cause damage or harm persons or animals should it not be seen.
- Never operate the machine without the defective guards or shields, or without safety devices, or if the cord is damaged or worn.
- Always make sure that the power cord is not in the way of your work.

Safety Information

Batteries

Batteries present a risk if they become damaged by the possible leaking of electrolyte. Electrolyte is an acid and can cause serious burn injuries. Care should be taken when working on or near them. **NOTE:** the electrolyte may be in a liquid or gel form.

Should you come in to contact with electrolyte you should;

- Remove all clothing contaminated with electrolyte. If you cannot remove then saturate them in water.

- Get medical assistance as soon as possible.

You must advise the medical staff of the type of acid.

- Lead/acid battery = dilute sulphuric acid.

- Nickel/cadmium = potassium hydroxide alkali electrolyte.

- Use fresh running water to wash off excess electrolyte, continue this until medical assistance arrives. Make sure don't transfer electrolyte to other body parts.

- If electrolyte comes in to contact with Eyes the electrolyte needs to be immediately washed away with large amounts of water. Make sure that you do not wash the electrolyte to another part of your face or body.

- Gasses from charging batteries are highly flammable and great care should be taken to charge in well ventilated areas.



- There is an explosion risk if the battery terminals are short circuited, when connecting/disconnecting ALWAYS exercise great care so that the terminals or battery leads are NOT allowed to touch and cause a spark. ALWAYS use suitable insulated tools.

Battery Charger

- Do not place any objects on the battery charger and do not place the battery charger on soft surfaces. There is a risk of explosion.

- If other batteries are used, e.g. imitations, reconditioned batteries or third-party products, there's risk of injury as well as damage caused by explosion

- A charger that is suitable for one type of battery pack may create a risk of fire when used with another battery pack. This may cause an internal short-circuit and the battery to burn, smoke, explode or overheat.

Electricity (Where Applicable)

DANGER : ELECTRICITY CAN KILL – NEVER WORK ON LIVE / ENERGISED EQUIPMENT.



- Prior to carrying out any maintenance work you MUST identify electrical isolation methods and isolate all electrical supplies.

- Prior to use and with all electrical supplies isolated, you MUST check all electrical cables, plugs and connectors for the following;

- Are intact and have no signs of damage, to include but not limited to bare wires, chaffing, cuts and loose wiring.

- If there are any signs of damage, the damaged item MUST be taken out of service until the damage has been repaired by an electrically competent person.

- All trailing cables should be routed so as not to cause any kind of trip hazard.

- NEVER work on or near electricity with wet hands, wet clothing and wet gloves.

Safety Information

Electricity (Continued)

- Power tools plug must match the outlet. Never modify the plug in any way. DO NOT use any adapter plugs with earthed (grounded) power tools. Unmodified plugs and matching outlets will reduce risk of electric shock.
- DO NOT expose this power tool to rain or wet conditions. Water entering a power tool will increase the risk of electric shock. DO NOT abuse the power cord. Never use the cord for carrying, pulling or unplugging the power tool. Keep the cord away from heat, oil and sharp edges or moving parts. Damaged or entangled cords increase the risk of electric shock. When operating a power tool, use an extension cord suitable for outdoor use. Use of a cord suitable for outdoor use reduces the risk of electric shock.
- **IMPORTANT:** Make sure that the electric circuit is fused, and that the power, voltage and frequency of the motor is supported by your mains supply. Also, make sure that your power supply is earthed. Connect your machine to earth. Never open the ON/OFF switchbox. However, if it should become necessary to do so, contact a qualified electrician. Make sure that you will never touch live contacts, specifically when you plug or unplug your machine. This machine and its power cord must never get into contact with water.
- Avoid body contact with earthed or grounded surfaces such as pipes, radiators, ranges and refrigerators. There is an increased risk of electric shock if your body is earthed or grounded.
- To prevent electric shock, use only with an extension cord suitable for outdoor use. For additional protection, the installation of a residual current device (RCD) having a rated residual operating current not exceeding 30mA is advisable.
- Before use, check that the extension cord is in good condition. When using an extension cord, make sure to use one heavy enough to carry the current your product will draw. An undersized cord will cause a drop in line voltage resulting in loss of power and overheating.
- Do not allow any part of the machine to make contact with water while it is in operation. If the appliance becomes wet while turned off, wipe dry before starting. Do not touch the appliance or its plug with wet hands or while standing in water. Wearing rubber boots offers some protection.
- Before use, check the supply and extension cord for signs of damage or aging. If the cord becomes damaged during use, disconnect the cord from the supply immediately. If the supply cord is damaged, it must be replaced by the manufacturer or a qualified person in order to avoid a hazard.

Double-Insulated Appliances

In a double-insulated appliance, two systems of insulation are provided instead of grounding. No grounding means that it is already provided on a double-insulated appliance. Servicing a double-insulated appliance requires extreme care and knowledge of the system, and should be performed only by qualified service personnel. Replacement parts for a double-insulated appliance must be identical to the parts they replace.

Safety Information

Vibrations (Where Applicable)

- Prolonged use of hand held (operated) machines will cause the user to feel the effects of/from vibrations. These vibrations can lead to white finger (Raynaud's phenomenon) or carpal tunnel syndrome. This condition reduces the ability of the hand to feel and regulate temperature, causing numbness and heat sensations and may cause nerve damage and circulatory tissue death.
- Not all factors that lead to white finger disease are known, but cold weather, smoking and other diseases that affect blood vessels and blood circulation as well as large and long-lasting impact of shocks are considered factors in the formation of white finger. Note the following to reduce the risk of white finger and carpal tunnel syndrome;
- Wear gloves and keep your hands warm.
- Take regular breaks.
- All of the above precautions may help reduce the risk of white finger disease but not rule out the carpal tunnel syndrome. Long-term and regular users are therefore recommended to observe the condition of your hands and fingers. Seek medical attention immediately if any of the above symptoms should occur.

Noise (Where Applicable)

- The operating noise of the machine can damage your hearing. When wearing protection such as earplugs or ear defenders to protect your hearing. Long-term and regular users are advised to have hearing checked regularly. Be especially vigilant and cautious when wearing ear protection because your ability to hear alarm warnings will be reduced.
- Noise emissions for this equipment is unavoidable. Carry out noisy work at approved times and for certain periods. Limit the working time to a minimum. For your personal protection and protection of people working nearby it is also advisable for them to wear hearing protection.



- See Certificate of Conformity section for Outdoor Noise declaration of conformity.

Residual Risks

Even when tool is used as prescribed it is not possible to eliminate all residual risk factors. The following hazards may arise in connection with the tool's construction and design:

1. Damage to lungs if an effective dust mask is not worn.
2. Damage to hearing if effective hearing protection is not worn.

Health defects resulting from vibration emission if the power tool is being used over longer period of time or not adequately managed and properly maintained.

▲ WARNING! This machine produces an electromagnetic field during operation. This field may under some circumstances interfere with active or passive medical implants. To reduce the risk of serious or fatal injury, we recommend persons with medical implants to consult their physician and the medical implant manufacturer before operating this machine.

Safety Information

Intended Use

The HY2187 is a 20V Cordless Grass trimmer. It is powered by a 775W HYUNDAI motor.

This machine is specifically a pedestrian tool, manufactured according to the latest safety requirements. Every precaution is only effective when it's followed exactly.

Intended Use

This machine is designed and manufactured for trimming grass and small shrubbery.

This machine is intended for use in environments with a maximum ambient temperature of 32°C.

User Types

This machine is intended for use by consumers, i.e. non professional operators. The machine is intended for "DIY" and domestic use only.

Improper Use

Any other usage not in keeping with the above mentioned ones may be hazardous and harm persons and/or damage things. Examples of improper use may include, but are not limited to:

- Use within a househole
- Use for cutting solid materials i.e rocks, plaster etc
- Use in wet environments, ponds, lake edges etc

Safety Information

Personal Protective Equipment

Appropriate Personal Protective Equipment (PPE), MUST be worn at all times when operating or repairing the machine. No protective equipment can ensure 100% protection.

When selecting PPE, make sure it's CE marked and it suits the user in terms of size, fit, etc. If more than one item of PPE is worn at the same time, make sure they can be used together, e.g. wearing safety glasses may disturb the seal of a respirator, causing air leaks.



Hand Protection Must Be Worn

Protective electrically non-conductive gloves are highly recommended when working.



Foot Protection Must Be Worn

Non-skid heavy duty footwear are highly recommended when working.



Hearing Protection Must Be Worn

Suitable safety hearing protection is recommended.



Eye Protection Must Be Worn

Always wear safety glasses/goggles and/or face shields. Everyday eyeglasses have only impact resistant lenses; they are not safety glasses/goggles.



Protective Clothing Must Be Worn

Do not wear loose clothing, gloves, scarfs, neckties or jewellery (rings, wrist watches), which can be caught in moving parts.



Head Protection Must Be Worn

Wear a safety helmet with a safety visor.















Face Shield Must Be Worn

Wear a face shield to protect your face.

Safety Information

⚠ Symbols On The Machine

We have provided safety messages in this manual and on the machine. This information alerts you to potential hazards that could hurt you or others. Please read these messages carefully. However, we may not have listed all of the possible hazards, you must also use your own judgement.

Symbol	Description	Symbol	Description
	Safety alert – Indicates a precaution, a warning or a danger.		Dust mask must be worn
	Read operator's manual.		Class II tools symbol.
	Hand protection must be worn		Hearing protection must be worn
	Sharp blades can cut limbs.		Eye protection must be worn
	The UKCA (UK Conformity Assessed) marking is a UK product marking that is required for goods being placed on the market in Great Britain (England, Wales and Scotland).		This product complies with the European directives and an evaluation method of conformity for these directives was done.
	This product should not be disposed of in domestic waste. Please contact your local recycling centre for disposal service.		Sound power level LWA data in dB.

Unboxing

⚠ WARNING : Unboxing and assembling the machine should be done on a flat, surface with enough room. Disposal of the packaging should be done in accordance with the local regulations in force.

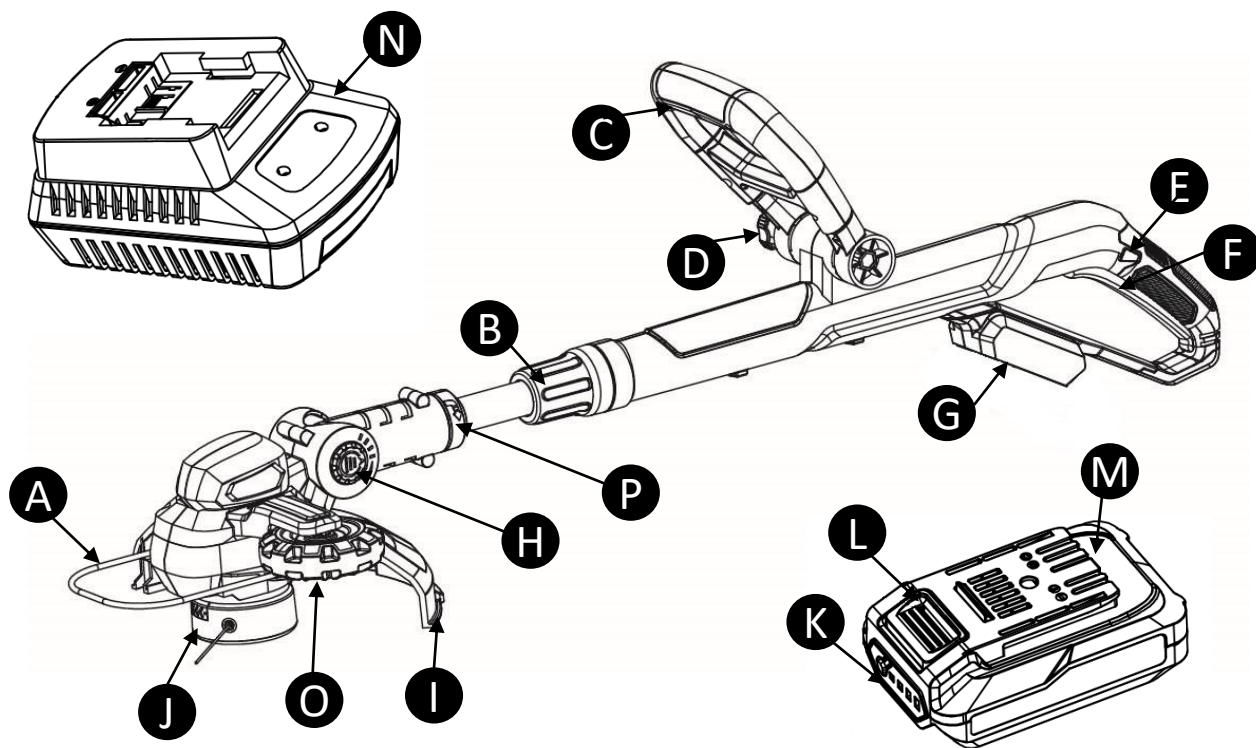
⚠ WARNING : Some of the packaging material may be harmful to children. Keep out of reach of children.

1. Carefully remove the product from the packaging and examine it for any sign of damage caused during shipping.
2. Lay the contents out and check them. If any part is damaged or missing, you must not use the machine. Contact HYUNDAI POWER PRODUCTS immediately.
3. You must keep the packaging material in case the machine needs to be returned or repaired.
4. Ensure that you have all the accessories and tools you need for assembly and operation including the suitable personal protective equipment.

We recommend that you fill out the information in the 'Product Record' section. If you need to contact an authorised dealer or customer service, you may need to provide this information.

Unboxing

*Not To Scale



- A** Front Guide
- B** Adjustment Collar
- C** Auxiliary Handle
- D** Handle Adjustment Knob
- E** Power Safety Button
- F** On/Off Trigger
- G** Battery Carriage
- H** Trimmer Head Angle Button
- I** Trimmer Guard
- J** Spool Head
- K** Battery Charge Indicator
- L** Battery Release Button
- M** 20V 2.0Ah Lithium Ion Battery
- N** Battery Charger
- O** Edging Wheel
- P** Trimmer Head Rotation Collar

Feature Descriptions on next page



Features

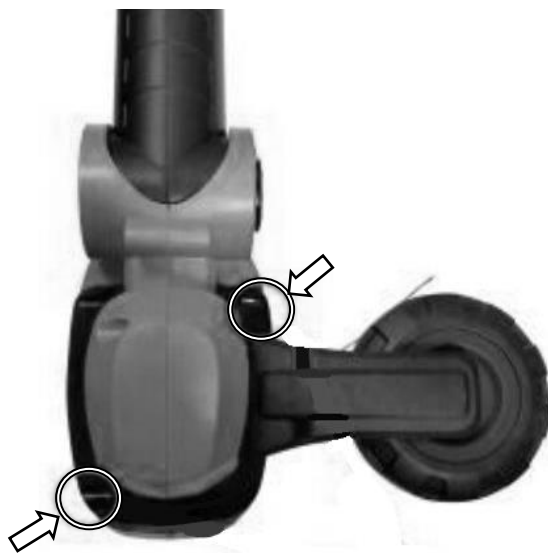
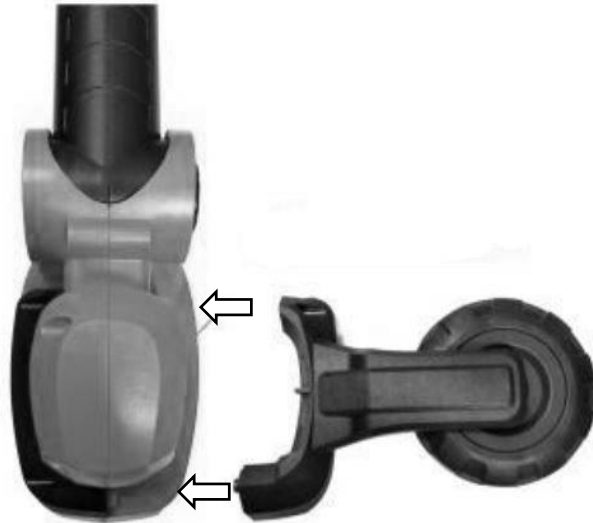
- A Front Guide** – This is used when cutting near Flower beds and fences. It prevents damage from the spool
- B Adjustment Collar** – Used to Extended the tube
- C Auxiliary Handle** – An additional grip
- D Handle Adjustment Knob** – Use to adjust Auxiliary handle
- E Power Safety Button** – Prevents accidental starting
- F On/Off Trigger** – Starts the machine
- G Battery Carriage** – Houses the battery
- H Trimmer Head Angle Button** – Adjust cutting angle
- I Trimmer Guard** – Guards the user from the cutting wire.
- J Spool Head** – Houses the cutting wire
- K Battery Charge Indicator** – Shows the charge level of the battery
- L Battery Release Button** – Latches and de-latches the battery
- M 20V 2.0Ah Lithium Ion Battery**
- N Battery Charger**
- O Edging Wheel** – Used to easily cut along edges

Assembly

Attach Edging Wheel

⚠ Warning : Ensure the Battery is not attached during Assembly

1. Insert the **Edging Wheel (O)** onto the Trimmer Head.
2. Secure it into place with 2 screws

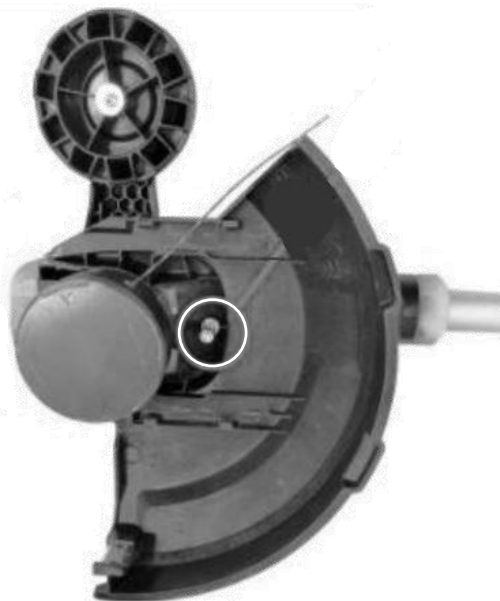
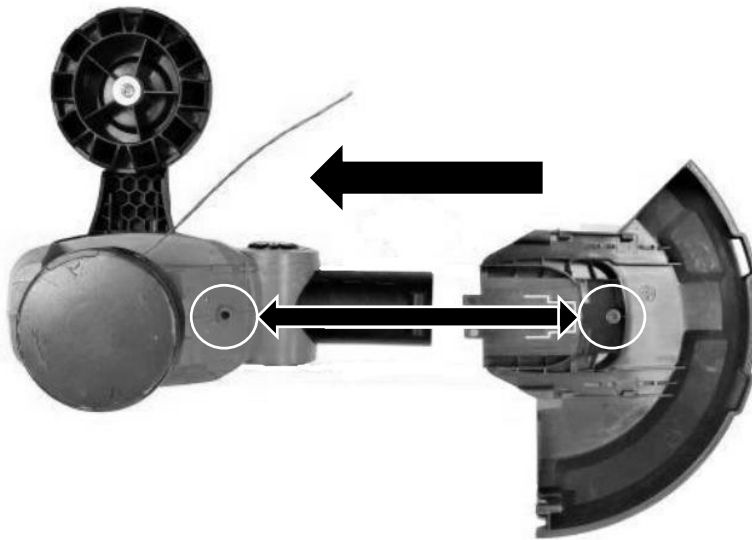


Assembly

Attach Trimmer Guard

1. Insert the **Trimmer Guard (I)**, lining up the screw holes.
2. Insert a screw into the hole, and secure until tight.

Note - Double check the trimmer head is secured, shake it gently to ensure it stay in place.



Assembly

Attach Front Guard and Auxiliary Handle

1. Insert the **Front Guard (A)** into it's guided slot. Either side of the Trimmer Head is a guide where the Front Guard sits.



2. Put the Auxiliary handle (C) onto it's seat. Insert the large bolt from the left hand side, and secure with the hand nut on the opposite side.

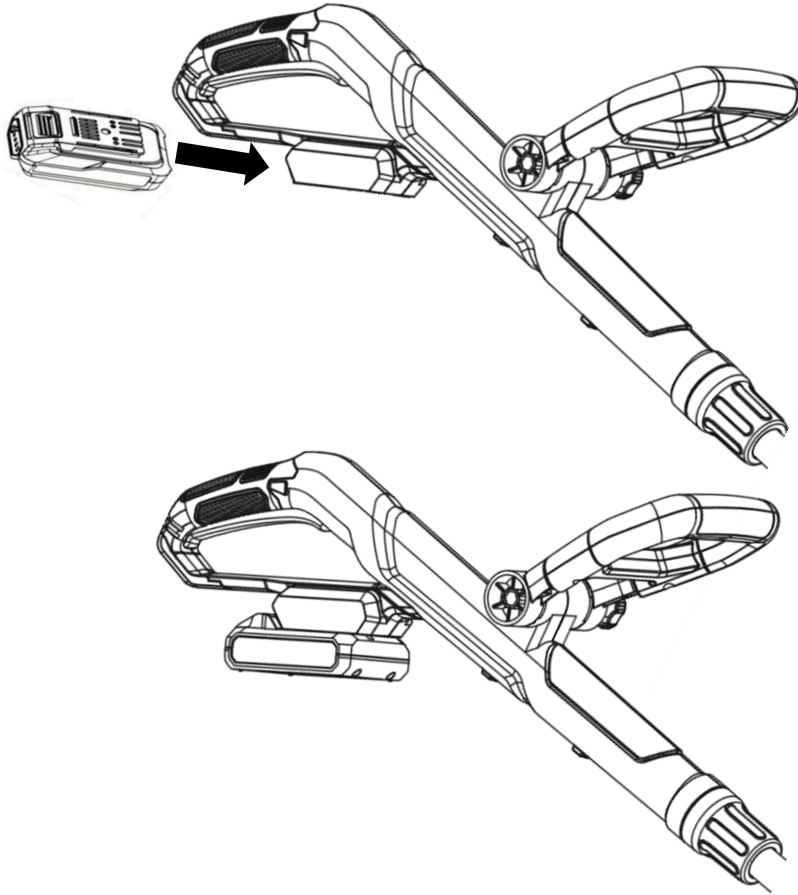


Assembly

Insert Battery

⚠ Ensure battery is fully charged before assembly, see page 21.

Insert the **Battery (M)** with the **Battery Release Button (L)** facing away from the **Battery Carriage (G)**. An audible *click!* will be heard when it's secured into place. To Remove, press the **Battery Release Button (L)** and out the battery away from the machine.



Battery Charge Indicator

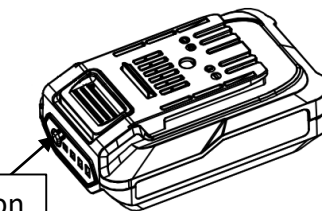
To check the charge of the **Battery**, press the Charge Indicator Button. These will light up the LED's meaning:

3 LED's Illuminated – Fully Charged

2 LED's Illuminated – 50% Charged

1 LED Illuminated – Requires Charging

Charge Indicator Button



Operation

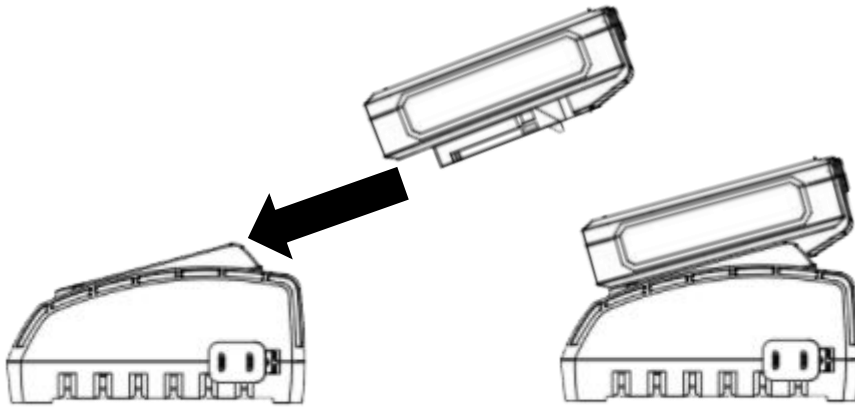
Battery Charger Operation

⚠ Ensure the power source switch is OFF when plugging in Battery Charger

⚠ You **MUST** understand the whole Instruction Manual before any operation

1. Slide the **Battery (M)** into the **Battery Charger (N)**, by lining up the terminals on both. It will be secured with an affirmative *click!*

NOTE – To remove the battery, press the **Battery Release Button(L)** whilst pulling away from the **Battery Charger (N)**.



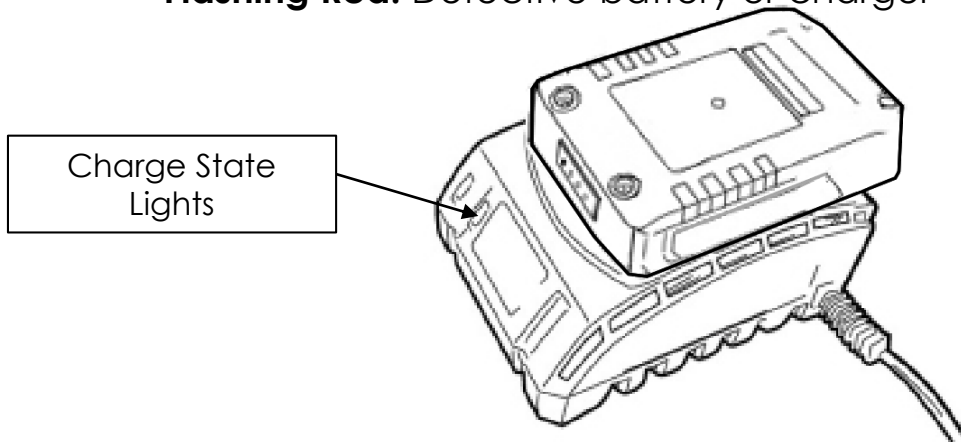
2. Plug in the **Battery Charger (N)**, then turn on the power source.
3. The Charge State Lights will indicate the following:

Solid Green & Flashing Red: Charging

Solid Green & Solid Red: Fully charged

Flashing Green: Thermal protection activated, this is when the battery is either too hot or too cold to be charged. The charger will commence charging when the battery has reached the correct temperature.

Flashing Red: Defective battery or charger



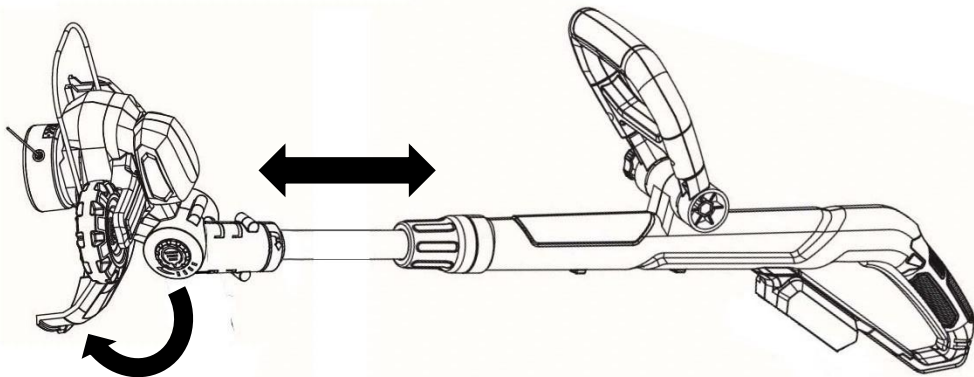
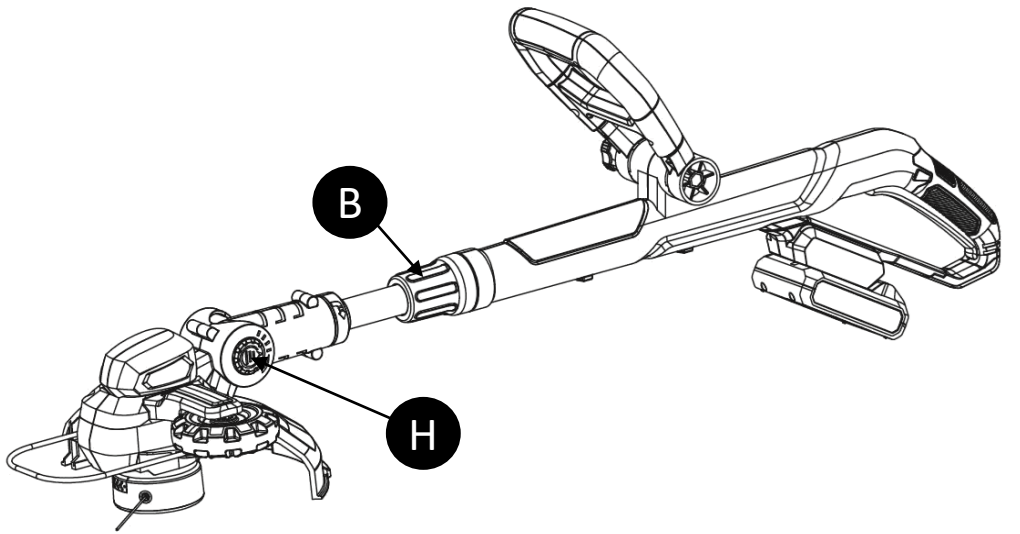
Operation

Machine Adjustment

⚠ Before Operation, you MUST read and understand the whole User Manual

The HY2187 has adjustable for all heights of user. Use the **Adjustment Collar (B)**, to extended the telescopic shaft of the machine. Loosen the collar, extended to preferred length and then secure by tightening the collar.

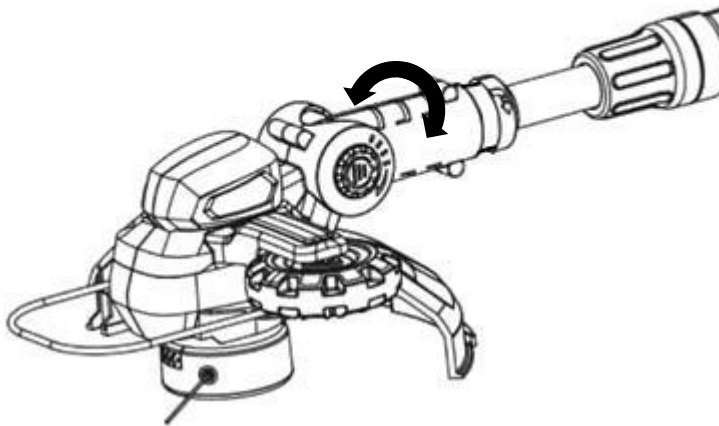
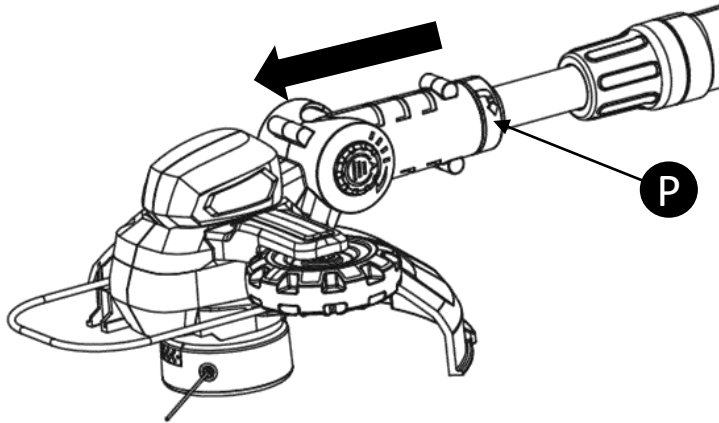
The Trimmer head angle can also be changed, press the **Trimmer Head Angle Button (H)** to adjust the position of the trimmer head. It will snap into it's varying positions when the button is released.



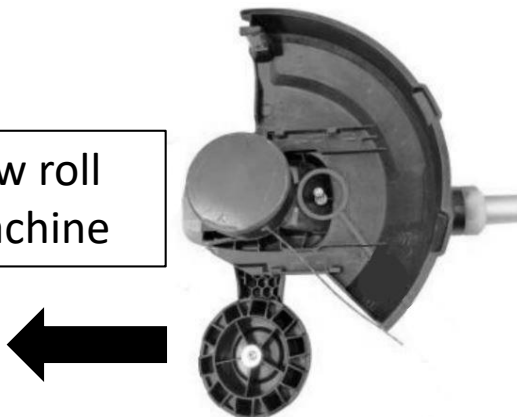
Operation

Edging Wheel Use

The **Trimmer Head Rotation Collar (P)** is used to rotate the Trimmer head for the Edging wheel use. Pull the whole trimmer head downward, this will open up the **Trimmer Head Rotation Collar (P)**, allowing the trimmer head to rotate. It will rotate either way dependant on preference.



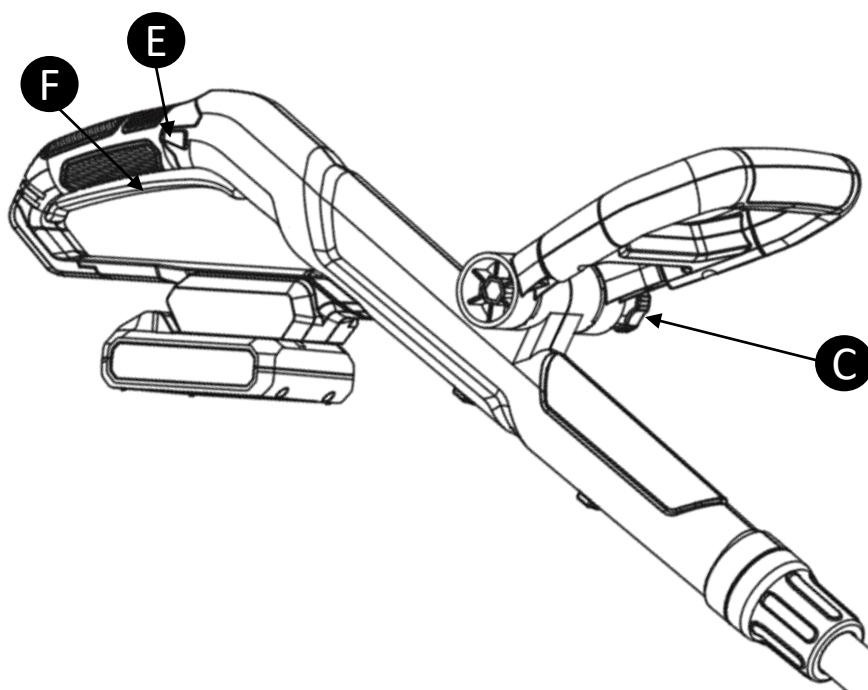
The wheel will now roll along with the machine



Operation

Stopping and Starting

1. When using the HY2187, the machine required use of both hands. Ensure the Auxiliary handle is in a comfortable position. Loosen the hand nut on the Auxiliary handle, and adjust to preferred position. Secure by tightening the hand nut.
2. To start the machine, you must firstly press the **Power Safety Button (E)**. Whilst pressing this, press the **On/Off Trigger (C)**. With these 2 simultaneously pressed, the machine will start. Allow the machine a second or two to get to full speed.



Automatic Line Feed

Every time the machine is switched on, the trimmer line will automatically be given out. You do not need to extend it yourself. There is a built-in line cutter so it will cut the line to make sure it is not too long. You must make sure the cutting head has stopped completely before switching the machine on again.

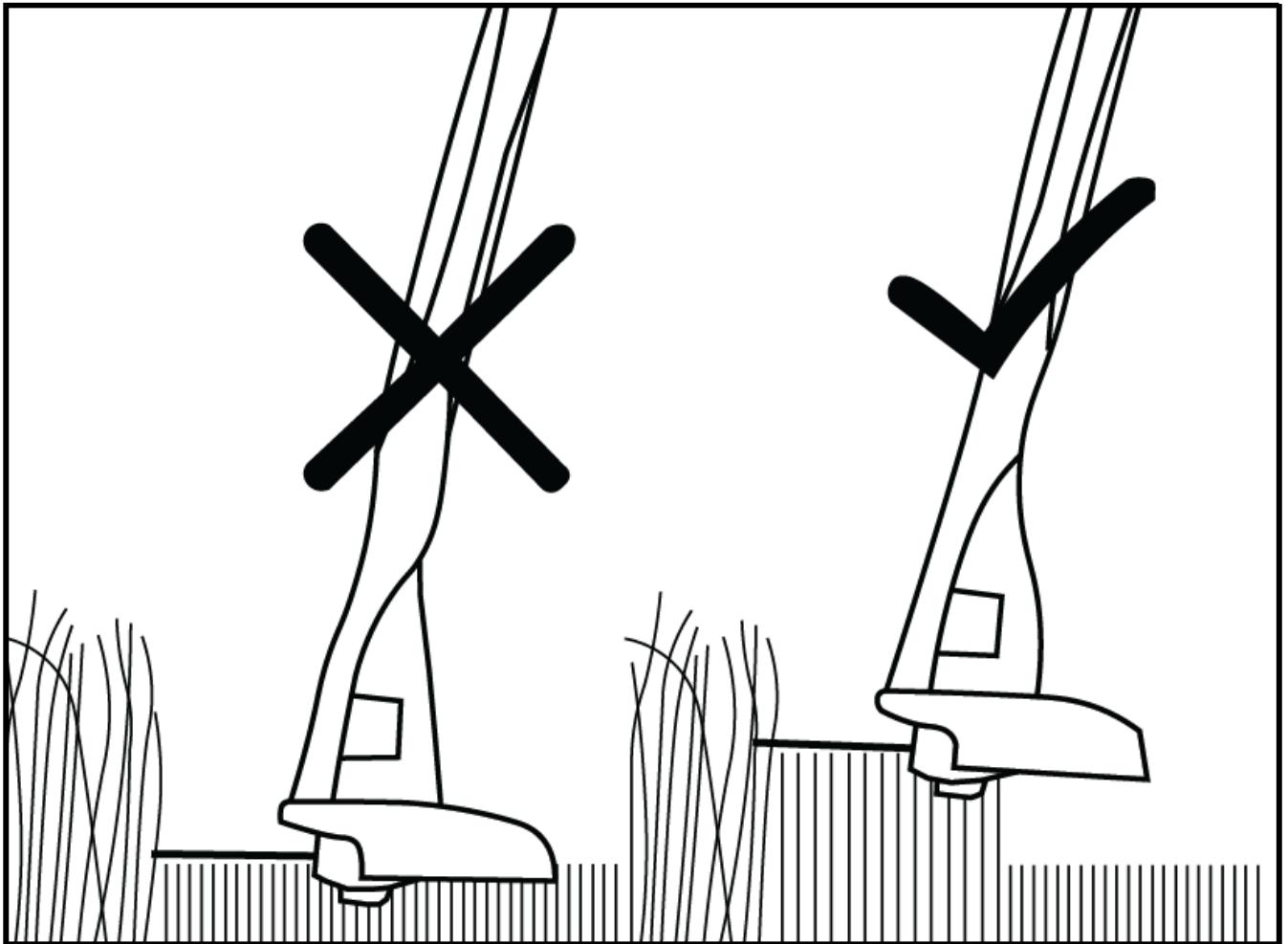
When the trimmer line has run out, you can replace it following the instructions in this manual. You can either replace the trimmer line or replace the whole spool.

Operation

Tips For Use

After reading the safety instructions carefully, follow the instructions below attentively in order to get the most out of your grass trimmer.

1. Start off slowly, when you have gained experience, you will be able to use the grass trimmer to its full potential.
2. Start the grass trimmer before getting close to the grass being cut.
3. Cut the grass by moving the grass trimmer from right to left and proceed slowly.
4. High grass should be cut in layers, always beginning from the top. The cuts should be short.
5. You must always work with the cable away from the trimmer.



Maintenance & Care

General Maintenance

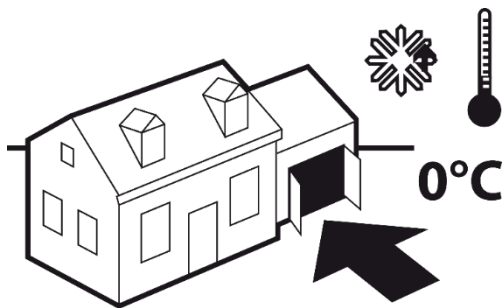
⚠ WARNING : Turn OFF the machine, allow all moving parts to come to a complete stop, and disconnect the power cord before maintaining the machine. You need to wear proper clothing and protective gloves whenever your hands are at risk.

- Keep all nuts, bolts and screws tight to be sure the machine is in a safe working condition.
- Replace worn or damaged parts for safety. Only use manufacturer-recommended parts and accessories.

Storage

⚠ Keep the machine stored in a dry, level area away from damp, moisture and rain fall. Allow the machine to cool down before storing.

- Make sure the machine is clean and dry before storing.
- Ensure the machine is stored in a position, where any persons cannot step on, to attempt to reach items up high, due to risk of movement.
- DO NOT store the machine near an ignition source, such as a wood stove, gas or electric heater, or an appliance or heater with a pilot light.
- Store the machine out of reach of children or anyone who is not familiar with operation.
- DO NOT stack other items on top of the machine when in storage.
- Make sure the machine is stored away from direct sunlight. Store indoors or in a safe, frost-free area during severe weather and winter months.



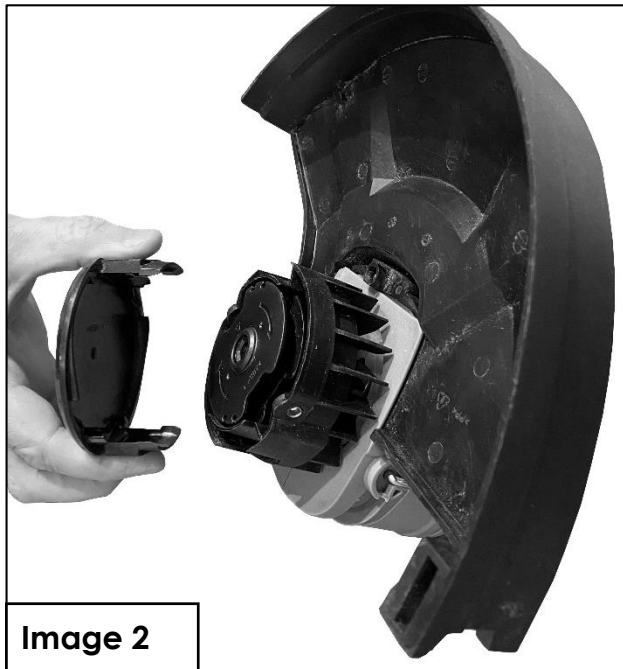
Maintenance & Care

Replacing Trimmer Line

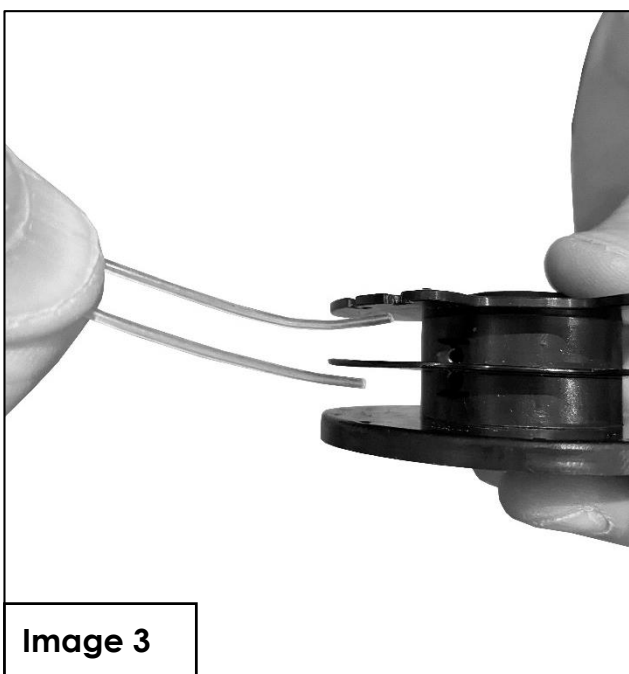
We recommend using 1.3mm, 1.4mm or 1.5mm nylon grass trimmer line.

⚠ WARNING : Make sure the battery is disconnected.

1. Turn the trimmer so that the cutting head is facing upwards. Squeeze the two tabs on the spool cover. **See image 1.**
2. Pull spool cover away from spool. **See image 2.**



3. Cut two lengths of nylon trimmer line 5m in length and insert the end of each line into the two holes in the trimmer spool reel. **See image 3.**
4. Wind the trimmer line around the reel in the direction of the arrow. **See image 4.**



Maintenance & Care

Replacing Trimmer Line (Continued)

5. Clip the trimmer lines onto the reel as shown. **See image 5.**

6. Thread the trimmer line through the holes in the spool body. Slide the reel onto the drive shaft. **See image 6.**

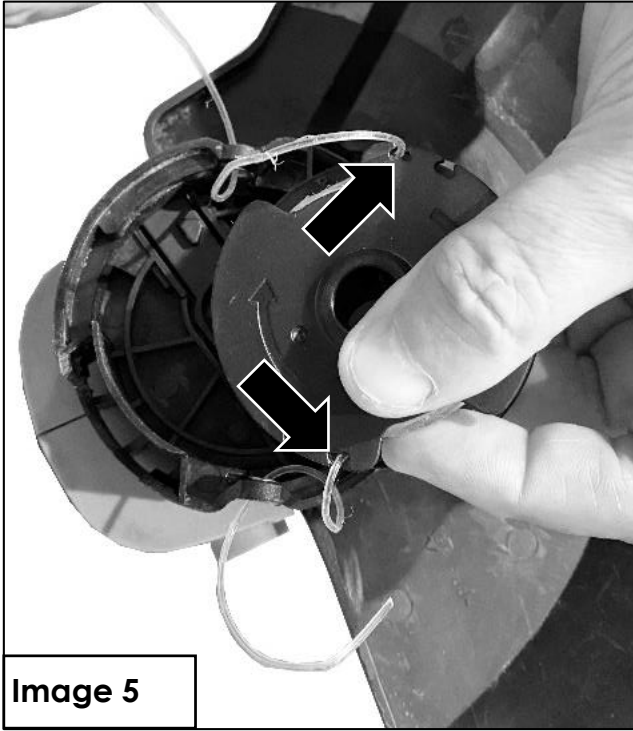


Image 5

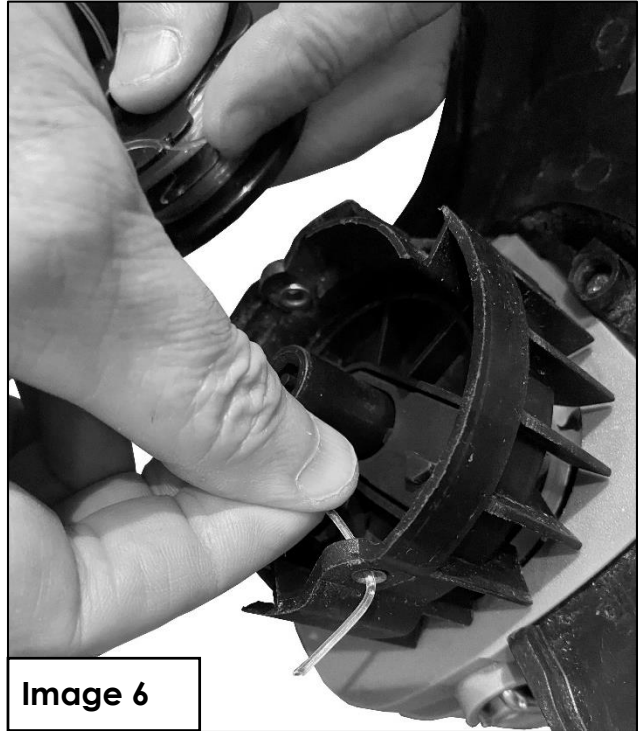


Image 6

7. Pull the trimmer line outwards to release it from the reel clips. **See image 7.**

8. Slide the spool cover over the spool assembly and push firmly into place. When you use the trimmer, any excess trimmer line will be cut off with the trimmer blade mounted on the guard. **See image 8.**

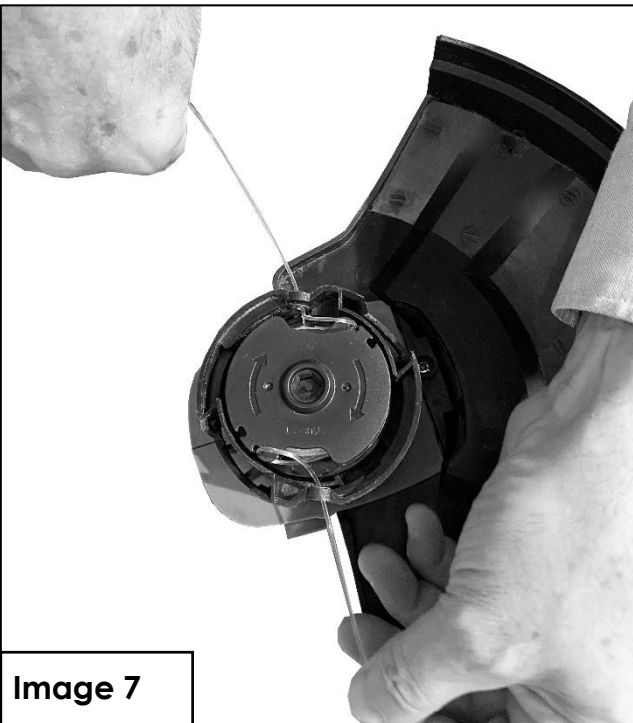


Image 7

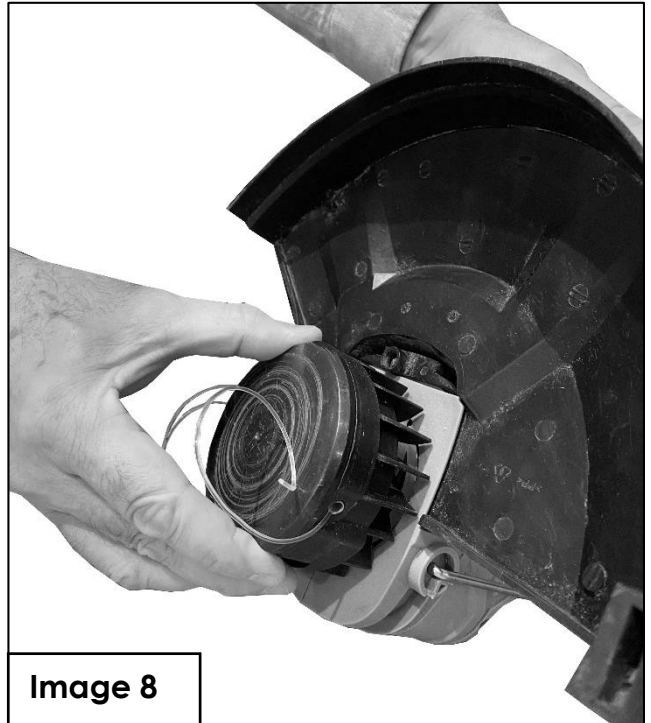


Image 8

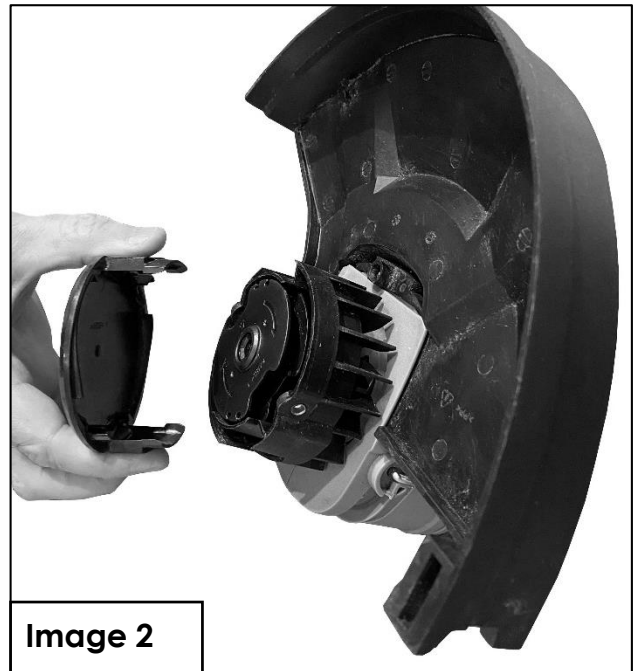
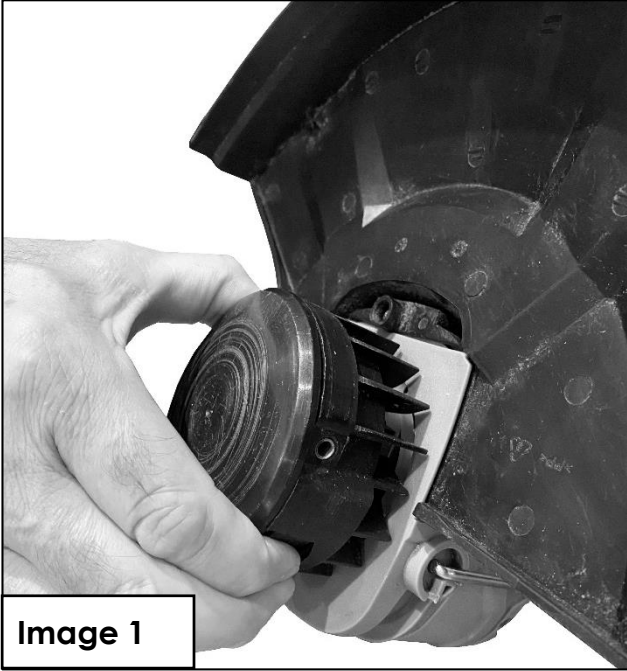
Maintenance & Care

Replacing Spool

Spare Spool Part Number : 1317019

⚠ WARNING : Make sure the battery is disconnected.

1. Turn the trimmer so that the cutting head is facing upwards. Squeeze the two tabs on the spool cover. **See image 1.**
2. Pull spool cover away from spool. **See image 2.**



3. Remove the empty line spool. **See image 3.**



Continued on next page 

Maintenance & Care

Replacing Spool (Continued)

4. On the new spool, free both ends of the line. Thread both ends of the line through the holes on the spool body with the smooth side with the arrow facing upwards. Make sure the ends of the line do not slip out of the holes. **See image 4.**
5. Insert the new spool onto the cutting head. **See image 5.**

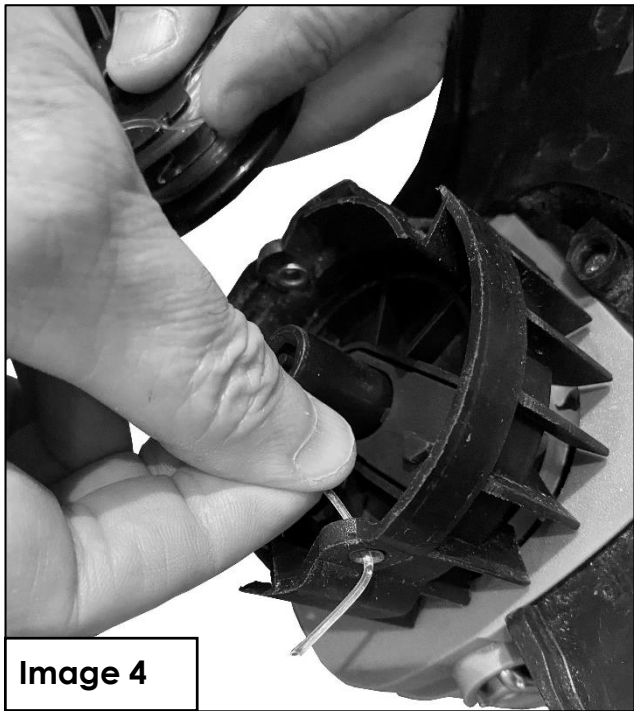


Image 4

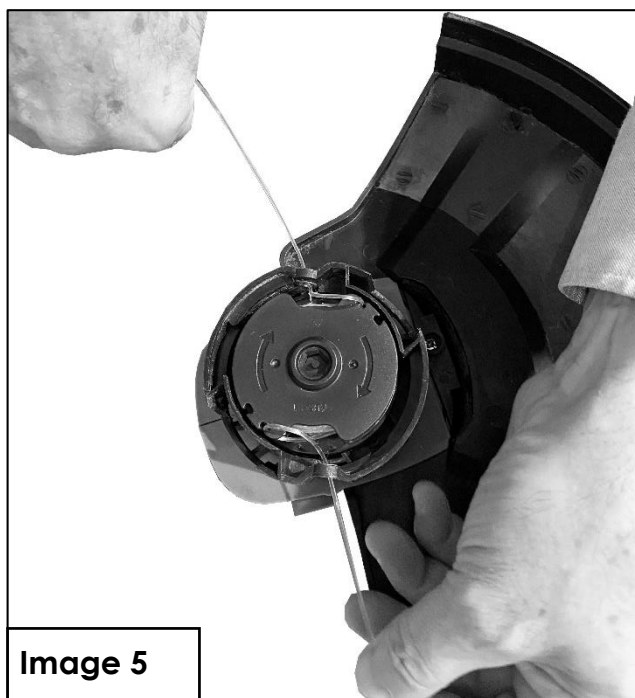


Image 5

6. Slide the spool cover over the spool assembly and push firmly into place. When you use the trimmer, any excess trimmer line will be cut off with the trimmer blade mounted on the guard. **See image 6.**

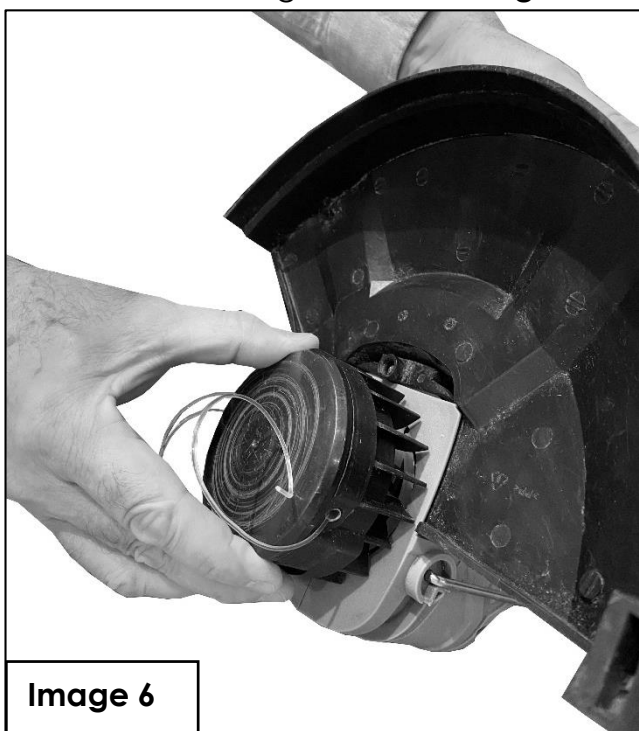


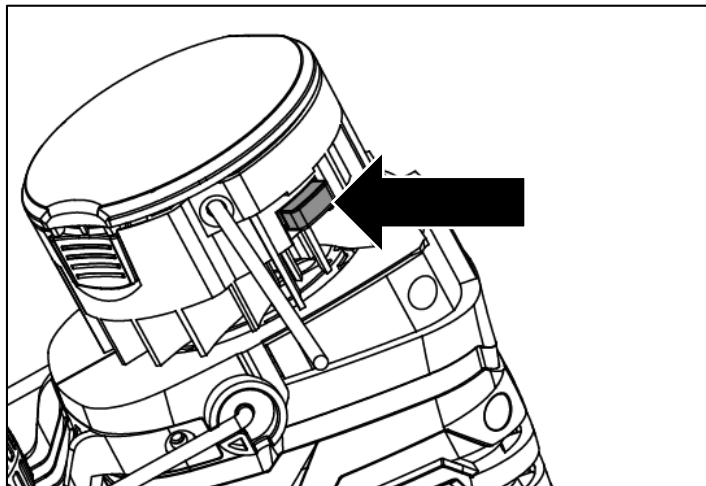
Image 6

Maintenance & Care

Snapped Trimmer Line

If the trimmer line breaks or snaps and is not long enough, you can manually extend the trimmer line.

1. There is a small button (**see diagram**). You can press this button and then pull the line out 1 cm.
2. If you need to extend the line more than 1 cm, you must press the button again and pull the line out another 1 cm.
3. Any excess trimmer line will be cut off with the trimmer blade mounted on the guard.



Troubleshooting

⚠ NOTE : All corrective actions should be carried out by suitably qualified person/s.

Problem	Possible Cause	Possible Solution
Machine will not start.	Faulty Battery	Check on charger for fault.
	Internal wiring fault.	Contact your service dealer.
Machine functions intermittently.	Internal wiring fault.	Contact your service dealer.
Trimmer line not feeding.	Trimmer line not installed correctly.	Check user manual for fitting instructions.
Trimmer not cutting cleanly.	Incorrect trimmer line installed.	Check trimmer line thickness – replace if incorrect.
	Trimmer head clogged with grass trimmings.	Cut power to motor and clear any built up grass trimmings around the trimmer head.
	Trimmer head not spinning at correct speed.	Contact your service dealer.

Technical Data

Machine Specification

Model	HY2187
Motor Rated Power	775W
No Load Speed	8000 RPM
Cutting Width	25cm
Voltage	20V

Recycling & Disposal

Recycling & Disposal

We do not offer a takeback scheme for the recovery of Waste Electrical Electronic Equipment (WEEE) & Batteries. Instead the responsibility to dispose of WEEE and/or Batteries is passed onto you by us.

So when it becomes necessary to dispose of your machine you must take it to your local Civic Amenity Site. For further information please contact your local Authority for disposal advice.

You **MUST** make sure that all unused oil and fuel is disposed of correctly either beforehand or at your local Civic Amenity Site.

- Under NO circumstances must any fuel or oil be put down any drains.
- Certain products contain WEEE waste which should not be disposed of in your domestic waste.
- You **MUST** recycle WEEE in accordance with your local authority or recycling centre.
- Certain products contain batteries which should not be disposed of in your domestic waste.
- You **MUST** recycle batteries in accordance with your local authority or recycling centre.
- Unwanted packaging and materials should be stored and taken to a recycling centre so it can be disposed of in a manner which is compatible with the environment.

We are a Member of the VALPAK National Compliance Scheme and our registration number is RM08660. For further information about disposal please contact your Local Authority.

You can also get more advice and guidance about recycling at the following website <http://www.recycle-more.co.uk>

Should you pass this product on to another user either sold or loaned, you **MUST** pass on this user manual. This will make sure that all other users can use and maintain this machine safely.

Environmental Protection

1. Environmental protection should be a priority of considerable importance when using the machine, for the benefit of both social coexistence and the environment in which we live. Try not to cause any disturbance to the surrounding area.
2. You must comply with local regulations and provisions for the disposal of packaging, oils, fuel, filters, damaged parts or any elements which have a strong impact on the environment. This waste must not be disposed of as normal waste. It needs to be separated and taken to specified waste disposal centres where the material will be recycled.
3. You must comply with local regulations for the disposal of waste materials after mowing.
4. When disposing, do not pollute the environment with the machine, but hand it over to a disposal centre, in accordance with the local laws in force.

EU Declaration Of Conformity

Importer and Authorised Representative

Genpower Ltd
Isaac Way, Pembroke Dock, SA72 4RW

Country of Origin: China

Description: 20V Cordless Grass Trimmer

SKU Code: HY2187

Date of Issue: 17/12/2021

Regulations and Directives of Compliance

- 2006/42/EC The Machine Directive
- 2014/30/EU EMC Directive
- 2011/65/EU RoHS

Statement of Declaration

We the importer and authorised representative of the product described confirm conformity within the provisions of applicable regulations and directives listed within this document.

Signed on Behalf of Genpower Ltd

Place of Issue: Genpower Ltd

Signatory Name: Roland Llewellyn

Position: Managing Director

R J Llewellyn



Useful Information

Check Out Our YouTube Channel

Our videos on YouTube include:

- Unboxing
- Assembly of your machine
- How to service your machine
- Products in use
- 'How To' videos
- Product features

Go to YouTube and search '**Hyundai Power Products**'.

Warranty

Proof of purchase will be required before you make a warranty claim. Full warranty terms and conditions can be found on the HYUNDAI POWER PRODUCTS website:
www.hyundaipowerproducts.co.uk

Manual Updates

Our manuals are constantly being reviewed and updated. Should you find an error, omission or something unclear, please contact us for assistance. We reserve the right to make any modifications without prior notice whenever necessary. Our latest manuals are also placed online. All our manuals can be downloaded at:
www.hyundaipowerproducts.co.uk

Returning Your Product

If you are returning your product, please contact the dealer for their returns policy.

Leaving A Review

We work very hard to give all of our customers the best possible service. If you have any problems, before leaving negative feedback, please contact us to give us a chance to resolve the issue. We would be delighted if you left us positive feedback! To leave a review, please go to:
uk.trustpilot.com/review/hyundaipowerequipment.co.uk

Ordering Spare Parts

You can find the spare part you are looking for at **power-spares.co.uk**

Product Record

Information

As soon as you have purchased the machine, we recommend that you fill out the following. If you need to contact an authorised dealer or customer service for information on servicing, you may need to provide the following information.

Date Of Purchase:.....

Dealer Name:.....

Dealer Phone:.....

Model Number:.....

Serial/Batch Number:.....

Notes

Notes

Contact Us

Need Help? Talk To Our Experts

Our friendly aftersales team will be more than happy to help you.



Phone

Call our team on 01646 687 880



Email

aftersales@hyundaipowerproducts.co.uk



Online Live Chat

Go to www.hyundaipowerproducts.co.uk



Post

Genpower Ltd, Isaac Way, Pembroke Dock, Pembrokeshire, SA72 4RW.



Hyundai Support Website

Go to hyundaisupport.co.uk

HYUNDAI

POWER PRODUCTS

Importer:
GENPOWER LTD
Isaac Way, London Road,
Pembroke Dock, UK, SA72 4RW.
T: +44 (0) 1646 687 880
E: info@hyundaipowerproducts.co.uk
www.hyundaipowerproducts.co.uk

Imported / Distributed by Genpower Ltd for the United Kingdom & Ireland

Licensed by Hyundai Corporation, Korea