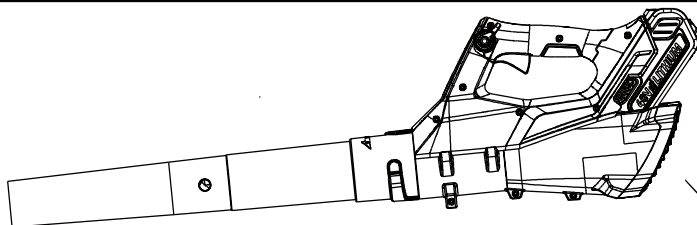


greenworks
TOOLS

2400807

EN	40V Cordless Jet Blower	USER'S MANUAL	1
DE	40V kabelloser Jet-Laubbläser	BEDIENUNGSANLEITUNG	9
ES	Soplador de chorro inalámbrico de V	MANUAL DE UTILIZACIÓN	18
IT	Soffiatore Jet senza cavi da 40V	MANUALE D'USO	27
FR	Souffleur à jet sans fil 40V	MANUE L D'UTILISATION	36
PT	Soprador de jorro sem fios de 40 V	MANUAL DE UTILIZAÇÃO	45
NL	40V draadloze blazer	GEBRUIKERSHANDLEIDING	54
RU	Беспроводная воздуходувка 40 В	РУКОВОДСТВО ПО ЭКСПЛУАТАЦИИ	63
FI	40 V langaton puhallin	KÄYTTÄJÄN KÄSIKIRJA	72
SV	40 V kabelfri jetblåsare	INSTRUKTIONSBOK	80
NO	40V batteridrevet jet-blåser	BRUKSANVISNING	88
DA	40V trådløs havestøvsuger	BRUGERVEJLEDNING	96
PL	Bezprzewodowa dmuchawa strumieniowa 40 V	INSTRUKCJA OBSŁUGI	105
CS	40 V bezdrátový fukar s tryskou	NÁVOD K OBSLUZE	114
SK	40 V akumulátorové prúdové dúchadlo	NÁVOD NA POUŽITIE	123
SL	40 V kabelfri jetblásare	INSTRUKTIONSBOK	132
HR	Bežična mlazna puhalica od 40 V	KORISNI ČKI PRIRU ČNIK	140
HU	40V Akkumulátoros légfúvó	HASZNÁL ATI ÚTMUTATÓ	148
RO	Aparat de suflat fără fir la 40V	MANUAL DE UTILIZARE	157
BG	Безжичен обдухвачел, 40 V	РЪКОВ ОДСТВО ЗА УПОТРЕ БА	166
EL	Ασύρματος φυσητήρας 40V	ΕΓΧΕΙΡΙΔΙΟ ΧΡΗΣΗΣ	175
AR	تلوف 40 يكل سال شافن خفان	مدختست مالا ليلد	184
TR	40V Kablosuz Jet Yaprak Üfleme Makinesi	KULLANICI KILAVUZU	192
HE	לבכ אלל טלוו 40 סילע חופמ	ממתשמל לירדמ	200
LT	40 V belaidis srautinė orpūtė	NAUDOJIMO VADOVAS	208
LV	40 V bezvadu strūkklas pūtējs	LIETOTĀJA ROKASGR ĀMATA	217
ET	Jugapuhur akuga 40 V	KASUTAJAÜHEND	225



CE

Fig. 1

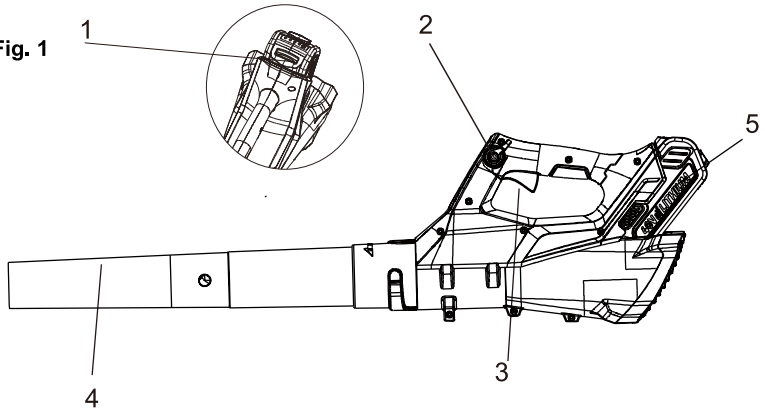


Fig. 2

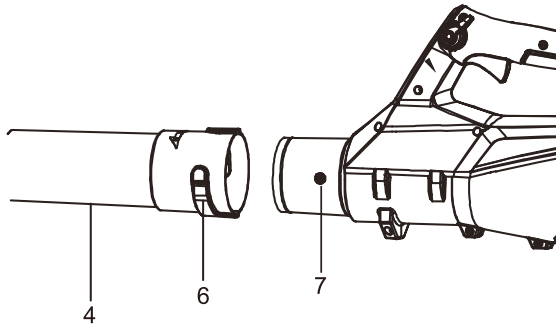


Fig. 3

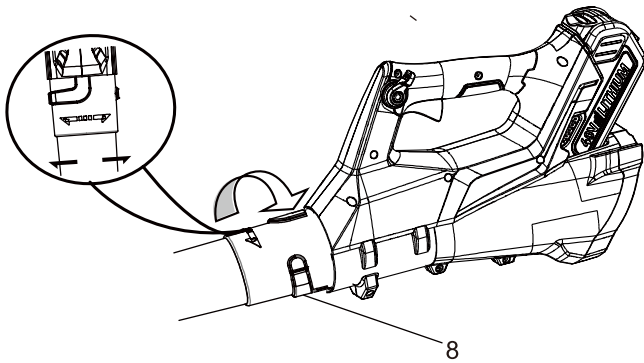


Fig. 4

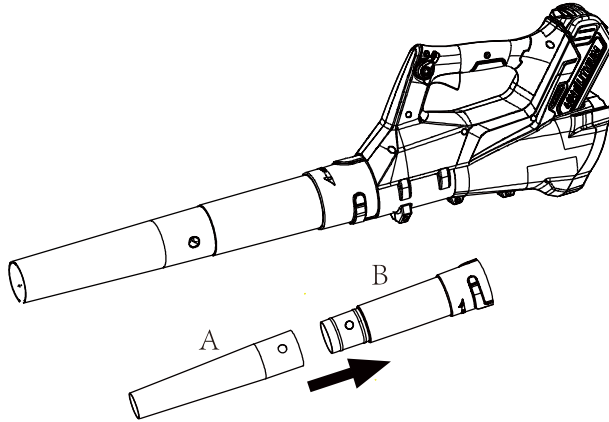


Fig. 5

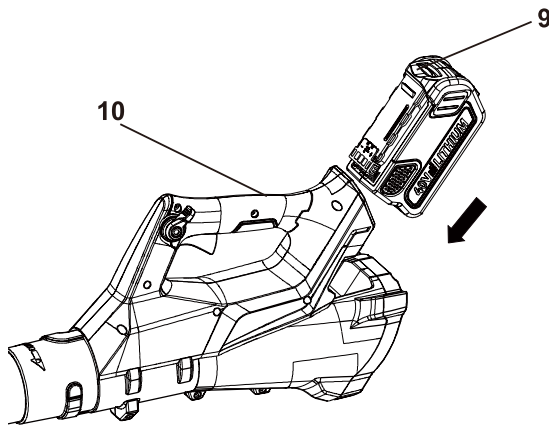
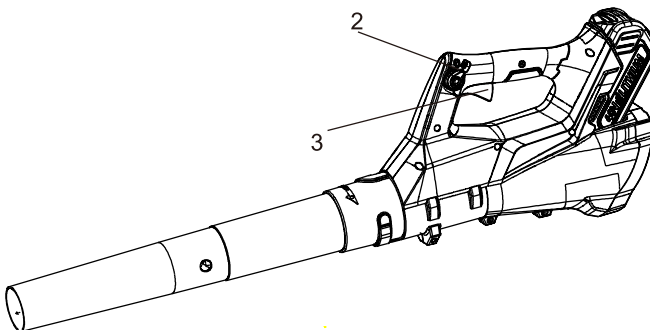


Fig. 6



...ed to Greenworks tools's high
for dependability, ease of operation,
operator safety. When properly cared
give you years of trouble-free per-

...with tool only.

...pliance can be used by children aged
...ars and above and persons with
...physical, sensory or mental capabili-
...ck of experience and knowledge
...ve been given supervision or
...n concerning use of the appliance
...way and understand the hazards in-
...children shall not play with the appli-
...cleaning and user maintenance shall
...ade by children without supervision.

GENERAL SAFETY RULES

⚠ WARNING

...using battery operated tools basic
...precautions should always be fol-
...to reduce the risk of fire, leaking bat-
...and personal injury, including the fol-

...t touch the fan when operating this

...the handles dry and clean.

G

...the instructions carefully be familiar
...the controls and the proper use of the
...pliance.

...allow children to use the appliance.

...allow people unfamiliar with these
...instructions for use the appliance local
...regulations may restrict the age of the
...operator.

...operate the appliance while people
...especially children, or pets are nearby.

...operator or user is responsible for
...injuries or hazards occurring to other
...people or their property.

OPERATION

- Obtain ear protection and safety glasses. Wear them at all times while operating the machine.
- Wearing a face mask is recommended to prevent dust irritation.
- Operate the machine in a recommended position and only on a firm, level surface.
- Do not operate the machine on a soft or gravel surface where ejected material could cause injury.
- Before using, always visually inspect the machine to see that the shredding means, shredding means bolts and other fasteners are secure, the housing is undamaged, and that guards and screens are in place. Replace worn or damaged components in sets to preserve balance. Repair or replace damaged or unreadable labels.

OPERATION

- Operate the appliance only in daylight or in good artificial light.
- Do not overreach and keep your feet firmly on the ground at all times.
- Always be sure of your footing on uneven ground.
- Walk, never run.
- Keep all cooling air inlets clear of obstructions.
- Never blow debris in the direction of bystanders.
- Before starting the machine, make sure that the feeding chamber is empty.
- Keep your face and body away from the feed intake opening.
- Do not allow hands or any other body parts, the body or clothing inside the feeding chamber, discharge chute, or near any moving part.
- When feeding material into the machine, be extremely careful that pieces of wood, rocks, bottles, cans or other foreign objects are not included.
- If the cutting mechanism strikes a foreign object or if the machine starts making any unusual noise or excessive vibration, immediately shut off the power source and allow the machine to stop completely before attempting to clear the jam.

or repair any damaged parts, and tighten any loose parts. Do not allow processed material to pile up in the discharge zone; this may prevent proper discharge and can result in a backflow of material through the intake opening.

If the machine becomes clogged, shut off the power source and disconnect the power from supply before cleaning.

Do not operate the machine with defective guards or shields, or without safety features, for example debris collector in place.

If a debris collector is not used the text in this example may be deleted.

Keep the power source clean of debris and other accumulations to prevent damage to the power source or possible fire.

Do not transport this machine while the power source is running.

Do not tilt the machine while the power source is running.

Do not operate the machine when you are not wearing open sandals. Avoid wearing clothing that is loose fitting or that has hanging cords or ties.

Always stand clear of the discharge zone when operating this machine.

Stop the machine, and remove battery before you leave the machine, or when clearing blockages or unclogging.

Do not check, clean or work on the machine while it is running.

MAINTENANCE AND STORAGE

Tighten all nuts, bolts and screws tight to ensure the appliance is in safe working condition.

Replace worn or damaged parts.

Use only genuine replacement parts and

source, disconnect the machine from the power supply and make sure that all moving parts have come to a complete stop before the machine to cool before making any inspections, adjustments, etc. Move the machine with care and keep it clean.

- Always allow the machine to cool before storing.
- When servicing the shredding mechanism, be aware that, even though the power source is switched off due to the interlocking feature of the guard, the shredding mechanism will still be moved.
- Never attempt to override the interlocking feature of the guard.

⚠ WARNING

Use only the manufacturer's replacement parts. Failure to do so may cause reduced performance, possible injury and void your warranty.

The term "power tool" in the warning refers to your mains-operated (corded) power tool or battery-operated (cordless) power tool.

WORK AREA SAFETY

- Keep work area clean and well lit. Cluttered or dark areas invite accidents.
- Do not operate power tools in explosive atmospheres, such as in the presence of flammable liquids, gases or dust. Power tools create sparks which may ignite the dust or fumes.
- Keep children and bystanders away while operating a power tool. Distraction can cause you to lose control.

ELECTRICAL SAFETY

- Avoid body contact with earthed or grounded surfaces, such as pipes, radiators, ranges and refrigerators. If there is an increased risk of electric shock, your body is earthed or grounded.
- Do not expose power tools to rain or wet conditions. Water entering a power tool will increase the risk of electric shock.

PERSONAL SAFETY

attention while operating power tools. Failure to do so can result in serious personal injury.

Use personal protective equipment. Always wear eye protection. Protective clothing and equipment such as dust mask, non-slip safety shoes, hard hat, or hearing protection should be used for appropriate conditions to reduce personal injuries.

Prevent unintentional starting. Ensure the power tool switch is in the off-position before plugging into power source and/or battery pack, picking up or carrying the tool. Do not use power tools with your finger on the switch or energising power tools that have a lock-on switch on invites accidents.

Do not use any adjusting key or wrench while turning the power tool on. A wrench or a key left attached to a rotating part of the power tool may result in personal injury.

Prevent overreach. Keep proper footing and balance at all times. This enables you to maintain control of the power tool in unexpected situations.

Use power tools properly. Do not wear loose clothing or jewellery. Keep your hair, clothing and gloves away from moving parts. Loose clothes, jewellery or long hair can be caught in moving parts.

TOOL USE AND CARE

Do not force the power tool. Use the correct power tool for your application. The correct power tool will do the job faster and safer at the rate for which it is designed.

Do not use the power tool if the switch does not turn it on and off. Any power tool that cannot be controlled with the switch is dangerous and must be repaired.

Keep children and bystanders away from unused and unattended power tools out of the reach of children and do not allow persons unfamiliar with the power tool or these instructions to operate the power tool. Power tools are dangerous in the hands of untrained users.

Use only genuine power tools. Check for

are caused by poorly maintained power tools.

- Keep cutting tools sharp and clean. Properly maintained cutting tools with sharp cutting edges are less likely to slip and are easier to control.
- Use the power tool, accessories and tool bits etc. in accordance with the instructions, taking into account the working conditions and the work to be performed. Use of the power tool for operations different from those intended could result in a hazardous situation.

BATTERY TOOL USE AND CARE


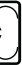
- Recharge only with the charger specified by the manufacturer. A charger not suitable for one type of battery pack may create a risk of fire when used with another battery pack.
- Use power tools only with specifically designated battery packs. Use of other battery packs may create a risk of injury and fire.
- When battery pack is not in use, store it away from other metal objects, like clips, coins, keys, nails, screws or other small metal objects, that can make a connection from one terminal to the other. Shorting the battery terminals together may cause burns or a fire.
- Under abusive conditions, liquid may be ejected from the battery; avoid contact. If contact accidentally occurs, flush with water. If liquid contacts eyes, immediately seek medical help. Liquid ejected from the battery may cause irritation or burns.

SERVICE




- Have your power tool serviced by a qualified repair person using only genuine replacement parts. This will ensure the safety of the power tool is maintained.

SAVE THESE INSTRUCTIONS. READ THEM FREQUENTLY AND USE THEM TO INSTRUCT OTHERS WHO MAY USE

ing. Proper interpretation of these symbols will allow you to operate the

L	DESCRIPTION/EXPLANATION
	Precautions that involve your safety.
	Read the operation manual and follow all warnings and safety instructions.
	Wear eye protection and ear protection.
	Thrown objects can ricochet and result in personal injury or property damage. Wear protective clothing and boots. Keep bystanders away.
	Keep all bystanders, especially children and pets, at least 15m from the operating area.
	Do not touch the fan when operating this unit.
	Do not expose to rain or damp conditions.
	Failure to keep long hair away from the air inlet could result in personal injury.
	Failure to keep loose clothing from being drawn into air intake could result in personal injury.
	Rotating impeller blades can cause severe injury.
	Double-insulated construction.

The following signal words and meanings are intended to explain the levels of hazard associated with this product.

SYMBOL	SIGNAL	MEANING
	DANGER:	Indicates an imminent hazardous situation, which, if not avoided, will result in serious injury or death.
	WARNING:	Indicates a potentially hazardous situation which, if not avoided, could result in serious injury or death.
	CAUTION:	Indicates a potentially hazardous situation which, if not avoided, could result in moderate or minor injury or property damage.
	CAUTION:	(Without Alert Symbol) Indicates a hazardous situation that could result in property damage.

	2400807
	40V DC
Flow rate	7.62 m ³ /min
Speed	162 KM/H
Weight (battery included)	1.9 kg
Part number	29717/29727
Accessories	2904607/2904707
Sound pressure	LpA: 87.6 dB(A) k: 3 dB(A)
Power level	LwA: 99.7 dB(A) K: 3.0dB(A)
Vibration level	ah: <2.5 m/s ² ; K: <1.5 m/s ²

DESCRIPTION

1. Battery Release Button
Control Lever

Front tube
Lithium-Ion battery

ASSEMBLY

WARNING
Always remove the product and any accessories from the original box.

Inspect the product carefully to make sure no damage or damage occurred during shipping. Discard the packing material until you have inspected and satisfactorily operated the product.

If any parts are damaged or missing, please call your local service centre for assistance.

WARNING

Do not use this product if any parts on the Packing List are not assembled to your product when you use it. Parts on this list are not assembled to the product by the manufacturer and require customer assembly. Use of a product that may have been assembled incorrectly could result in serious personal injury.

See Figure 2, 3, 4

WARNING

To prevent accidental starting that could cause personal injury, always remove the battery pack from the tool when assembling parts.

- Align either of the grooves (6) on the tube with the tabs (7) on the blower housing. Slide the tube into the blower housing until the tab engages the groove.
- Turn the tube in the direction of the arrow until the tabs slide into the lock positions (8).
- To install the Front tube (A) to Rear Tube (B), align the hole on the front tube to the tab on the rear tube. Once aligned slide the front tube on to the rear tube until the tube is secured.

TO INSTALL/REMOVE BATTERY PACK

See Figure 5.

- Align the ribs of the battery pack with the slots in the blower's battery port.
- Insert the battery into the battery opening until the battery release button locks into place.

CAUTION

When placing battery pack in the blower, be sure the raised ribs on the battery pack align with the slots in the top of the blower. Make sure the battery pack is seated, and it latches into place properly. Improper installation of the battery pack can cause damage to internal components.

TO REMOVE BATTERY PACK

See Figure 5.

- Press and hold the latch button (9) with finger.
- Grasp the trigger handle (10) firmly. Pull the battery pack out of the handle.

WARNING

Always take care of your feet, children, or pets when you are using the blower. Serious personal injury could result if the battery pack falls. Never use the blower to clean a high location. Always remove the battery pack when in a high location.

low familiarity with this product to make you Remember that a careless fraction of a sufficient to inflict serious injury.

WARNING

ear eye protection with side shields marked to ANSI Z87.1, along with hearing protection. do so could result in objects being thrown eyes and other possible serious injuries.

WARNING

any attachments or accessories not provided by the manufacturer of this product. The attachments or accessories not recommended in serious personal injury. Before each use, the entire product for damaged, missing, or parts, such as screws, nuts, bolts, caps, etc. Securely all fasteners and caps and do not use the product until all missing or damaged parts are replaced.

CAUTION
Use this product for the purposes listed

on hard surfaces such as driveways and sidewalks. Use on decks and driveways free from leaves and needles.

BEFORE FIRST USE.

WARNING

Remove battery pack from the product when assembling parts, making adjustments, or when not in use. Removing battery pack could result in accidental starting that could cause serious injury.

STOPPING THE BLOWER (See figure 6)
Make sure that the battery is installed in the blower. Press the trigger to start the blower. Press the trigger to stop.

To avoid serious personal injury, wear goggles and safety glasses at all times when operating the blower. Wear a face mask or dust mask in dusty locations.

WARNING

To prevent serious personal injury or damage to the unit, make sure the blower tube is in place before operating the unit.

CRUISE CONTROL LEVER (See figure 6)

This blower is equipped with a cruise control lever. Please read and understand the function of the cruise control lever (2).

- Squeeze the trigger (3) to start the unit.
- Once the unit is on, push back the lever clockwise to increase the speed. This will lock the speed at the desired setting.
- To decrease the speed, push the lever clockwise to decrease the speed to the desired setting.

NOTE: If you decrease the speed all the way, the blower will shut off and step one will need to be repeated.

OPERATING THE BLOWER

- To keep from scattering debris, blow around the edges of a debris pile. Never blow directly into the center of a pile.
- To reduce sound levels, limit the number of pieces of equipment used at any one time.
- Use rakes and brooms to loosen debris before blowing. In dusty conditions, slightly dampen the area when water is available.
- Conserve water by using power blowers instead of hoses for many lawn and garden applications, including areas such as gutters, screens, porches, and gardens.
- Watch out for children, pets, open windows, and blow debris safely away.
- After using blowers or other equipment, clean up. Dispose of debris properly.

WARNING

Avoid personal injury and the risk of fire or electric shock, remove the battery pack before inspecting, or cleaning the blower.

Remove the battery pack.
Blow dust and debris out of the air vents with compressed air or a vacuum. Keep the air vents free of obstructions, sawdust, and wood chips. Do not wash, or immerse the air vents in water. Clean the housing and the plastic components with a moist, soft cloth. Do not use strong solvents or abrasives on the plastic housing or plastic components. Certain household cleaners may cause discoloration, and may cause a shock hazard.

PACK

Remove the battery pack charged.
When the charging light turns green, remove the battery pack from the charger and disconnect the charger from the outlet.
Remove the battery pack anytime you have noticed a decrease in power. Never let the battery pack become fully discharged.
When charging, the battery pack may be stored in the charger as long as the charger is not plugged in.

WARNING

Always use only identical replacement parts. Using other parts may create a hazard or cause damage.

Do not use solvents when cleaning plastic parts. Most plastics are susceptible to damage from various types of solvents and may be damaged by their use. Use mild detergents and cloths to remove dirt, dust, oil, grease, etc.

WARNING

At any time let brake fluids, gasoline, petroleum products, penetrating oils, etc. come in contact with plastic parts. They contain chemicals that can weaken or destroy plastic.

WARNING

Store the blower in a dry, well-ventilated place that is inaccessible to children. Keep away from corrosive agents such as garden chemicals and de-icing salts.

- Store and charge your batteries in a cool, dry place. Temperatures above or below normal room temperature will shorten battery pack life.
- Once the light on the charger turns solid green, remove the battery from the charger and disconnect the charger from the outlet.
- Do not store the battery pack on the tool.
- Never store batteries in a discharged condition. Allow the battery pack to cool and fully charge in the charger.
- All batteries gradually lose their charge. The warmer the temperature, the quicker they lose their charge. If you store your unit for long periods of time, after using it, recharge the batteries every month. This practice will prolong battery pack life.

DISPOSAL

Waste electrical products should not be disposed of together with household waste. Please recycle where facilities exist. Check with your local authority or retailer for recycling advice.

Separate collection of used products and packaging allows materials to be recycled and used again. Re-use of recycled materials helps prevent environmental pollution and reduces the demand for raw materials.

At the end of their useful life, discard batteries with due care for our environment. The battery contains material which is hazardous to you and the environment. It must be removed and disposed of separately at a facility that accepts lithium-ion batteries.

PROBLEM	POSSIBLE CAUSE	SOLUTION
<p>not start.</p>	<p>1. Battery is not secure.</p>	<p>1. To secure the battery pack, make sure the battery is fully secured in the blower. Refer to Installing the Batter section in this manual.</p>
	<p>2. Battery is not charged.</p>	<p>2. Charge the battery pack according to the instructions included with your model.</p>
	<p>3. Defective power switch.</p>	<p>3. Call +004922129242919 for technical service.</p>
<p>will start, but air flow through the</p>	<p>Blocked tube.</p>	<p>Inspect the intake vent and blower tube for any blockage of air flow. If so, remove the blockage.</p>
<p>Control Lever work.</p>	<p>The screw is loose.</p>	<p>Tighten the screw with a phillips head screwdriver.</p>

arily to be used by DIY consumers.
is non-transferable.

5
applies only to defective parts/components and does not
due to:
ar and tear.
e up or adjustment.
used by improper handling/abuse/misuse or neglect.
g due to lack of maintenance.
e to fittings/fasteners becoming loose/detached through lack
e.
used by cleaning with water.
served or repaired by non-authorized Greenworks Tools
s.
ncorrectly assembled or adjusted.
used by improper use of the machine.
caused by improper winterisation (pressure washers)
sidered as consumable parts are not normally covered by
including but not limited to:
s
ables
nd blade assemblies

and tool holders
oducts may contain components such as engines,
from an alternative manufacturer, these items will be subject
iate manufacturer's warranty policy except where Greenworks
GmbH agrees to underwrite any claims outside the said
s warranty period.
and goods are not covered under this warranty policy.
of spares, replacements or extra components which are not
proved by Greenworks Tools Europe GmbH.

warranty on any product under this policy a proof of original
quired. Credit card statement do not qualify as sufficient
ase. In the first instance of a warranty event occurring the
uld return the product to the original place of purchase with
urchase. The machine will be sent to our central service
inspection made. If the machine be found to be at fault it will
nd sent back to the address of the consumer free of charge.
retail for less than €100 euros including sales taxes will
eplaced.

service facility finds that machine is not found to be at fault
umer will be advised they will need to pay for the cost of the

policy is subject to change from time to time to accommodate
new products. A copy of the latest warranty policy will be
www.greenworkstools.eu.

Werkzeuge hauptsächlich für den Einsatz durch Heimwerker
sind.

Diese Garantie ist nicht übertragbar.

EINSCHRÄNKUNGEN

Diese Garantie gilt nur für defekte Teile/Komponenten und
Reparaturen ab aufgrund von:

1. Normaler Abnutzung.
2. Routinewartungen oder Einstellungen.
3. Durch falsche Handhabung/Missbrauch/Fehlanwendung
Vernachlässigung verursachte Schäden.
4. Überhitzung aufgrund von fehlender Wartung.
5. Schäden aufgrund von durch fehlende Wartung lockeren/
Anschlüssen/Befestigungen.
6. Durch Reinigung mit Wasser verursachte Schäden.
7. Maschinen die nicht von einem autorisierten Greenworks
gewartet oder repariert wurden.
8. Maschinen die falsch montiert oder eingestellt wurden.
9. Schäden aufgrund falscher Benutzung der Maschine.
10. Schäden aufgrund von falscher Wintereinlagerung (Hoch-
druck).
11. Elemente die als Verschleißteile betrachtet werden sind
nicht von dieser Garantie abgedeckt, einschließlich, aber nicht
auf:

- Akkus
- Elektrische Kabel
- Klingen und Klingeneinheiten
- Bänder
- Filter
- Spannfutter und Werkzeughalter

12. Bestimmte Produkte können Teile wie Motoren, Getriebe
Herstellern enthalten, diese Elemente unterliegen der entspre-
Herstellergarantie, außer in Fällen wo Greenworks Tools EU
zustimmte Ansprüche außerhalb der genannten Herstellergar-
akzeptieren.
13. Gebrauchte Waren sind nicht von dieser Garantie abgedeckt.
14. Die Montage von Ersatzteilen oder zusätzlichen Teilen o-
Greenworks Tools Europe GmbH geliefert oder zugelassen

Garantie

Für einen Gewährleistungsanspruch auf ein Produkt unter d-
ist ein Original-Kaufbeleg erforderlich. Kreditkartenauszüge
Kaufbeleg ausreichend. Im Falle eines Garantiefalls sollte d-
Produkt zuerst mit dem Kaufbeleg zu ein Einkaufsort bringe-
Maschine wird an unsere zentrale Serviceeinrichtung gesen-
überprüft. Wenn die Maschine fehlerhaft ist, wird sie reparie-
kostenfrei an die Kundenadresse gesendet. Maschinen die
einschließlich Mehrwertsteuer verkauft werden, werden gen-

Wenn die zentrale Serviceeinrichtung feststellt, dass die Ma-
ursächlich für den Fehler ist, wird der Kunde informiert, dass
Kosten der Reparatur zu tragen hat.

Änderungen dieser Garantie sind vorbehalten, um neue Pro-
einzubeziehen. Eine Kopie der aktuellen Garantie ist verfügb-
www.greenworkstools.eu.

Wankelstrasse 40.
50996 Köln
Germany

Hiermit erklären wir, dass das Produkt
 Kategorie..... AKK
 Modell.....
 Seriennummer siehe Produkt
 Baujahr..... siehe Produkt
 • in Übereinstimmung mit den entsprechenden Bestimmungen der
 Maschinenrichtlinie ist (2006/42/EC)
 • mit den Bestimmungen der folgenden anderen EC-Richtlinien über
 2014/30/EU (EMC-Richtlinie), und
 2000/14/EC (Geräuschemissionen durch Geräte im Außeneinsatz)
 Modifikationen (2005/88/EC)
 und weiterhin erklären wir, dass
 • die folgenden (Teile/Bestimmungen aus) europäischen harmonisierten
 verwendet wurden
 EN 60335-1, EN 50636-2-100;
 EN 62233, EN ISO 3744; EN 55014-1;
 EN 55014-2

..... CORDLESS BLOWER
2400807
 See product rating label
See product rating label
 with the relevant provisions of the Machinery Directive (2006/42/EC)
 with the provisions of the following other EC-Directive
 C-Directive), and
 se-Directive) incl. modifications (2005/88/EC)
 we declare that
 parts/clauses of) European harmonised standards have been used
 50636-2-100;
 ISO 3744; EN 55014-1;

power level LWA: 99.7 dB(A)
 d power level 104 dB(A)
 sment method to Annex V/ Directive 2000/14/EC

Signature: Gary Gao Naixin (BEng, CEng,

Changzhou, 22/07/2016
 ent of Engineering



DECLARACIÓN DE CONFORMIDAD PARA MAQUINARIA

Changzhou Globe Co., Ltd.
 Xinggang Road Zhonglou Zone Changzhou, Jiangsu 213000

on de la persona autorizada para compilar el expediente técnico:
 o Naixin (Director de Equipos motorizados para uso exterior)
 works Tools Europe GmbH
 Wankelstrasse 40.
 Köln
 any
 declaramos que el producto

..... **SOPLADOR INALÁMBRICO**
2400807
Ver etiqueta de clasificación de productos
Ver etiqueta de clasificación de productos
 rmidad con las disposiciones pertinentes de la Directiva de
 2006/42/EC
 nidad con las disposiciones de estas otras Directivas-EC
 ctiva EMC), y
 ctiva sobre el ruido) incl. modificaciones (2005/88/EC)
 amos que
 o las siguientes (partes o cláusulas de las) normas armonizadas

50636-2-100;
 ISO 3744; EN 55014-1;

acústica medido LWA: 99.7 dB (A)
 acústica garantizado 104 dB (A)
 ción de conformidad con el anexo V/Directiva 2000/14/EC

Changzhou, 22/07/2016 Firma: Gary Gao Naixin (BEng, CEng, MIET)
 Ingeniería



IT DICHIARAZIONE DI CONFORMITÀ EC PER L'UTENSILE

Ditta produttrice: Changzhou Globe Co., Ltd.
 Indirizzo: No.65 Xinggang Road Zhonglou Zone Changzhou, Jiangsu
 Repubblica Popolare Cinese
 Nome e indirizzo della persona autorizzata a compilar il file tecnico:
 Nome: Gary Gao Naixin (Direttore degli elettrotensili da esterni)
 Indirizzo: Greenworks Tools Europe GmbH
 Wankelstrasse 40.
 50996 Köln
 Germany

Con la presente dichiariamo che il presente prodotto
 Categoria **SOFFIATO**
 Modello.....
 Numero di serie Vedere l'etichetta nom
 Anno di costruzione Vedere l'etichetta nom
 • è conforme con le rilevanti norme della Direttiva Macchine 2006/42/EC
 • è conforme con le norme delle seguenti Direttive Europee
 2014/30/EU (Direttiva EMC), e
 2000/14/EC (Direttiva sul Rumore) comprese modifiche (2005/88/EC)
 E inoltre, si dichiara di seguito che
 • I seguenti standard europei armonizzati (parti/clausole degli standard
 utilizzati
 EN 60335-1, EN 50636-2-100;
 EN 62233, EN ISO 3744; EN 55014-1;
 EN 55014-2

Livello di potenza sonora misurata LWA: 99.7 dB(A)
 Livello di potenza sonora garantita 104 dB(A)
 Metodo di valutazione della conformità svolto secondo l'Allegato V/Directiva
 2000/14/EC

Luogo, data: Changzhou, 22/07/2016 Firma: Gary Gao Naixin (BEng, CEng, MIET)
 Vice Presidente Sezione Ingegneria

