

Charbro®



GAS HEATERS

Models: Little Devil (inc ss), Devil 650/660(ss), Devil 850/860(ss), Devil 1250/1260(ss), Devil 1850, Devil 3000 & Devil 3150

OPERATING & MAINTENANCE INSTRUCTIONS



GC0711

CONTENTS

Guarantee	2
Introduction	3
Technical Specifications	3
General Safety Precautions	4
Electrical connections	5
Unpacking	6
Propane Gas Supply	6
Gas Connection	6
Changing Gas Bottles	7
Fresh Air Requirements	7
Operation	8
Starting Procedure	9
Stopping Procedure	10
Maintenance	10
Troubleshooting	11
Wiring Diagrams	12
Parts Lists and Diagrams	14

GUARANTEE

This CLARKE product is guaranteed against faulty manufacture for a period of 12 months from the date of purchase. Please keep your receipt as proof of purchase.

This guarantee is invalid if the product is found to have been abused or tampered with in any way, or not used for the purpose for which it was intended.

Faulty goods should be returned to their place of purchase, no product can be returned to us without prior permission.

This guarantee does not effect your statutory rights.

INTRODUCTION

Thank you for purchasing this CLARKE Gas Powered Heater.

Please read this manual thoroughly and follow the instructions carefully before attempting to use the heater. In doing so you will ensure the safety of yourself and that of others around you and you can look forward to it giving you long and reliable service.

TECHNICAL SPECIFICATIONS

	Little Devil/ss	Devil 650/660	Devil 850/860	Devil 1250/60	Devil 1850	Devil 3000	Devil 3150
Part No	6920160 6920162 6920170 6920340 (painted body)				6920360 6920400 6920350		
	6934200 6934205 6934210 6934215 (stainless steel body)						
Min. Output (Btu/hr)	35,000	52,000	43,000	91,000	119,000	171,000	200,000
Max. Output (Btu/hr)	35,000	52,000	107,000	149,000	200,000	281,000	344,000
Gas Pressure Max (bar/psi)	0.3/5	0.7/10	1.5/22	2/29	2/29	2/29	2/29
Air Flow (m³/hr)	300	300	750	850	1,800	2450	3300
Gas Consumption (kg/hr)	0.8	1.17	2.46	3.43	4.61	6.48	7.99
Nozzle Size (mm)	0.7	1.00	1.1	1.25	1.5	1.85	2.0
Motor Voltage (Volts)	230V	230V	110/230V	110/230V	110/230V	110/230V	110/230V
Power rating (Watts)	35	35	90	90	110	130	300
Input Current 230V (Amps)	0.3	0.3	0.7	0.7	0.5	0.65	1.3
110V (Amps)			1.3	1.3	1.0	1.3	2.6
Fuse Rating (Amps)	13	13	13	13	13	13	13
Dimensions (mm)	350 x 180 x 270	490 x 180 x 270	550 x 270 x 320	635 x 270 x 380	725 x 460 x 535	925 x 370 x 520	1075 x 420 x 565
Weight (kg)	5.0	5.5	11.5	13	23.0	29.5	30.0

Please note that the details and specifications contained herein, are correct at the time of going to print. However, CLARKE International reserve the right to change specifications at any time without prior notice.

GENERAL SAFETY PRECAUTIONS

WARNING!

***Lack of ventilation can cause Carbon Monoxide poisoning.
Carbon Monoxide poisoning can kill.***

Signs of Carbon Monoxide poisoning are headaches, dizziness and/or nausea. Should anyone show these signs, they must GET FRESH AIR IMMEDIATELY. Turn off the heater and have it serviced before using again.

Pregnant women, persons with a heart or lung condition, anaemia or under the influence of alcohol, or those at high altitude, are more likely to be effected by Carbon Monoxide.

Read, and make sure you fully understand the following precautions and the hazards associated with this type of equipment.

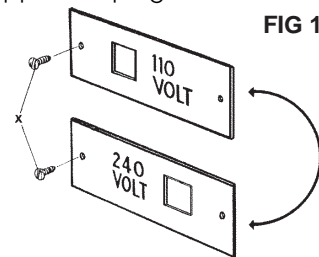
- Use **ONLY Propane gas with this heater.**
- Ensure the Propane gas bottle, gas hose and electric cable, are positioned behind the unit, well away from the heat.
- Ensure gas hose and regulator connections are **GAS TIGHT** and the hose is not kinked.
- **NEVER** use the heater where petrol, paint thinner, or other highly flammable vapour or if a high dust content is present.
- **ONLY** use with the voltage specified and ensure the heater is properly earthed.
- Use **ONLY** in well ventilated areas. Provide ventilation of at least 100 square inches of fresh air for every 100,000 BTU/hr of rating.
- The minimum clearance from any combustible materials is 8 feet (250cm) from the hot air outlet. Never obstruct the air intake and allow at least 4 feet (125cm) between the rear, top and sides of the heater and any walls or other obstruction.
- Stand the heater on a stable, level surface whilst hot or operating. If the heater should overturn, a fire could occur.
- Keep children and animals away from heater at all times.
- Use heater in accordance with all fire regulations.
- **NEVER** use heater for domestic heating in living or sleeping areas.
- **NEVER** leave a heater plugged in without adult supervision if children or animals are likely to be present.
- **NEVER** move, handle, replenish gas supply or service the heater when it is hot, operating or plugged in.
- **NEVER** attach the heater to any duct work, or impede air flow into or out of the heater.
- Disconnect the heater from the power supply when not in use.
- Use **ONLY** the regulator supplied with the machine.
- **DO NOT** exceed the limit of 240Btu/hr, per square metre of room area.
- If the machine works for long periods at maximum capacity, be aware that it is possible for ice to form on the cylinder due to excessive evaporation.
- **NEVER** direct hot air towards the cylinder in order to de-ice.
- **NEVER** use in wet areas, basements or below ground level.
- Always ensure the heater is correctly maintained in accordance with this manual.

ELECTRICAL CONNECTIONS

Connect the mains lead to a standard, 230 Volt (50Hz) electrical supply through an approved 13 amp BS 1363 plug or a suitably fused isolator switch.

With the exception of the **Little Devil and Devil 650/660**, the heater may also be connected to a 110V supply through a suitably approved plug.

The conversion to 110V, is by means of a switch, mounted on the rear panel of the unit, which is held in place by a lock plate. To change the voltage, remove the two self tapping screws securing the plate and remove the plate. Move the switch to the appropriate position and replace the plate having turned it through 180° as shown opposite.



⚠ WARNING! THIS APPLIANCE MUST BE EARTHED

IMPORTANT: The wires in the mains lead are coloured in accordance with the following code:

Green & Yellow	-	Earth
Blue	-	Neutral
Brown	-	Live

As the colours of the flexible cable of this appliance may not correspond with the coloured markings identifying terminals in your plug proceed as follows:

- Connect GREEN & YELLOW cord to terminal marked with a letter "E" or Earth symbol \perp or coloured GREEN or GREEN & YELLOW.
- Connect BROWN cord to terminal marked with a letter "L" or coloured RED
- Connect BLUE cord to terminal marked with a letter "N" or coloured BLACK

If this appliance is fitted with a plug which is moulded onto the electric cable (i.e. non-rewirable) please note:

1. The plug must be thrown away if it is cut from the electric cable. There is a danger of electric shock if it is subsequently inserted into a socket outlet.
2. Never use the plug without the fuse cover fitted.
3. Should you wish to replace a detachable fuse carrier, ensure that the correct replacement is used (as indicated by marking or colour code).
4. Replacement fuse covers can be obtained from your local dealer or most electrical stockists.
5. The fuse in the plug must be replaced with one of the same rating (13 amps) and this replacement must be ASTA approved to BS1362.

We strongly recommend that this machine is connected to the mains supply through a Residual Current Device (RCD).

If in doubt, consult a qualified electrician. Do not attempt any electrical repairs yourself.

UNPACKING

When unpacking, check the heater for possible shipping damage. Should any damage be apparent, please notify your Clarke dealer immediately. Your heater is fully assembled, - only the electrical and gas supplies need connecting.

PROPANE GAS SUPPLY

These heaters are designed for use with PROPANE GAS ONLY. Gas bottles are not supplied, but are readily available from builders merchants or gas suppliers etc.

This range of portable, direct fired gas heaters is designed to BS 4096 for industrial applications to give safe, efficient and reliable operation, and are for use with **Propane Gas only**. Propane gas bottles are not supplied with the unit, but are readily available from builders merchants or gas suppliers.

As with all mechanical equipment, optimum performance will only be achieved if the correct application and servicing procedures are followed.

WARNING

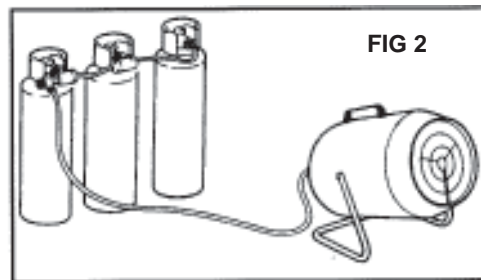
Propane Gas cylinders must be used and stored in accordance with the 'Highly Flammable Liquids and Liquefied Petroleum Gases Regulations 1972'

GAS CONNECTION

Connect the free end of the gas hose to the gas inlet connection on the heater and tighten to ensure there are no gas leaks. Before attaching the regulator to the gas cylinder, ensure the mating parts are free from grease and dirt and are undamaged.

Fit the regulator to the cylinder, tightening the thread as tight as possible with a propane spanner, noting that the threads are LEFT HANDED. To check for leaks, use soapy water or liquid soap.

IMPORTANT: The gas hose and cylinder must ALWAYS be located behind the heater.



In order to reduce the risk of icing up when operating at long periods at maximum capacity, you should use a larger capacity gas bottle, or two/three bottles in parallel, as shown in Fig 2.

The 'Tee' piece and 'pigtaills' are readily available from your builders merchants or gas supplier.

CHANGING GAS BOTTLES

1. Turn off the heater and disconnect from the electrical supply.
2. Close the gas valve on the bottle and unscrew the regulator, **(left hand thread)**.
3. Ensure the replacement bottle screw threads and gas orifice is perfectly clean before screwing in the regulator valve tightly.
4. Check to ensure there are no leaks using soapy water and when satisfied, plug in to the electrical supply and restart the heater.

MINIMUM FRESH AIR OPENING REQUIREMENTS

Heater Model	Output Btu/hr	Minimum Ventilation in ²	Minimum Ventilation cm ²
Little Devil	35,000	35	226
Devil 650/660	52,000	52	335
Devil 850/860	107,000	107	690
Devil 1250/1260	149,000	149	961
Devil 1850	200,000	200	1290
Devil 3000	281,000	281	1812
Devil 3150	344,000	344	2219

e.g. For the Devil 1250 at max. output, a 3ft window must be open by 3.5" minimum.

As a general rule of thumb, an opening of 1in² per 1000 Btu/hr is a minimum requirement.

OPERATION

Understanding the basic operation of the heater will reinforce the need to maintain the unit in top condition at all times, whilst always observing the safety precautions.

The heater comprises four basic systems:

1. The gas system.
2. The air system.
3. The ignition system.
4. The safety control system.

AIR SYSTEM

An axial fan, which is energised when switching ON, provides the main air flow.

GAS SYSTEM

The gas supply to the machine is by means of a high pressure hose, connected to an LPG cylinder, via a pressure regulator.

When the mains supply is switched on, the Safety Shut-off Valve solenoid is energised, allowing the gas to flow to the Flame Failure Valve, and when the Failure Valve Override knob is depressed, gas flows to the Burner Head.

IGNITION SYSTEM

A Piezo-electric Igniter is positioned at the burner head. When the Igniter button is depressed, a high intensity spark is generated, which ignites the gas. Heat from the flame is sensed by a thermocouple, which is connected to the Flame Failure Valve. As the thermocouple heats up, a low voltage is fed to the Flame Failure Valve, causing the valve to open, so that after 5-10 seconds, the Override knob may be released and the main flame is established. The Safety Control System.

Should the flame extinguish for any reason, the thermocouple will quickly cool, causing the Flame Failure valve to close, shutting off the gas supply.

Similarly, should there be a power failure, causing the fan motor to stop, the Safety Shut-Off valve solenoid will become de-energised, and therefore shut off the gas supply.

Additionally, the machine is equipped with Thermal Overload Protection, which will intervene should the unit overheat, shutting off the electrical supply.

STARTING PROCEDURE

WARNING

Before starting the heater, you MUST ensure that the minimum ventilation requirements are observed to avoid the risk of carbon monoxide poisoning.

1. Ensuring there is sufficient gas, and that it is correctly connected, open the valve on the gas cylinder, and open the regulator valve which is adjacent to the gas inlet pipe. (Not applicable on the Little Devil).
2. Plug the heater in to a suitably earthed supply and observing all precautions previously stated, push the fan switch to the ON (I) position, (A, Fig.3), and ensure the fan operates.
3. Fully depress the gas valve button (B, Fig. 3), which is adjacent to the gas inlet pipe, and push the ignition button (C, Fig. 3), repeatedly until the burner ignites. Keep the gas valve button (D, Fig. 3), depressed for a further 10 seconds approx, until the main flame is established.

Should the flame extinguish when the gas valve button is released, wait for 1 minute, before repeating the operation, this time, holding down the gas valve button for a longer period.



FIG 3

NOTES:

The Little Devil and Devil 650/660 heaters have a fixed, regulated gas flow, whereas all other models have a variable gas flow regulator, so that you can regulate the heat output by adjusting the regulator pressure.

Turning the knob clockwise will increase the pressure, and therefore the output, anticlockwise to decrease.

If ignition is difficult or irregular, ensure the fan is operating and that the air inlet and outlet are completely clear. Also ensure that the electrode gap is correct, and that the electrode is clean (see Maintenance).

IMPORTANT:

Should the thermal overload protection feature operate, shut off the gas supply and allow the unit to cool for at least 10 minutes with the fan running, before attempting to relight the burner.

Should the other safety features (previously mentioned) operate, the heater may be restarted once the cause of the problem has been found and rectified.

STOPPING PROCEDURE

1. Turn OFF the gas at the cylinder valve.
2. Disconnect the gas supply.
3. Allow the fan to run for 2 - 3 minutes with the burner off, in order to allow the casing to cool down.
4. Switch OFF the fan and disconnect the electrical supply.

MAINTENANCE

It is essential that the heater is correctly maintained and kept in top condition at all times.

IMPORTANT Before carrying out any adjustment or maintenance, ensure the heater is switched OFF, disconnected from the mains and gas supply, and has been given adequate time to cool down.

All models are similar, in that access to the working parts, is gained by removing the rear panel, which is secured by 4 screws, (3 in the case of the Little Devil), around its edge. Once removed, the panel, complete with all components, may be lifted clear.

MONTHLY (WHEN IN CONSTANT USE)

Ensure the electrode is clean and the gap is no more than 5mm.

Check the condition of the gas hose. If there are any signs of deterioration, it should be renewed using only a CLARKE original spare part.

Ensure that all connections are clean and secure.

When necessary, clean the fan and the inside of the heater thoroughly.

IMPORTANT: The use of parts other than genuine CLARKE replacement parts may result in safety hazards, decreased performance, and will invalidate your warranty.

ENVIRONMENTAL PROTECTION



These products contain valuable raw materials. Do not dispose of this product with general household waste. All tools, accessories and packaging should be sorted and disposed off appropriately by taking to a recycling centre.

TROUBLESHOOTING

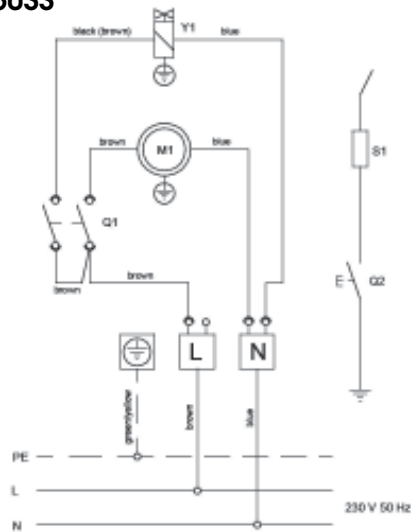
FAULT	CAUSE	REMEDY
Motor does not start.	<ol style="list-style-type: none"> 1. No power 2. Faulty motor/capacitor 3. Lock out of appliance due to overheating. 	<ol style="list-style-type: none"> 1. Check power supply, power cable and fuse, and replace if necessary. 2. Check and if necessary, replace. 3. Detect cause of overheating. Wait for 5 mins and restart. If condition persists, contact your Clarke dealer for advice.
Piezo does not spark.	<ol style="list-style-type: none"> 1. Electrode in wrong position. 2. Faulty connection between Piezo and electrode. 	<ol style="list-style-type: none"> 1. Check position and reset if necessary. 2. Check and connect properly.
No gas flow to the burner.	<ol style="list-style-type: none"> 1. Cylinder gas tap closed. 2. Cylinder is empty. 3. The nozzle is obstructed. 4. Gas leaks from the supply hose or from the tap. 	<ol style="list-style-type: none"> 1. Open the gas tap. 2. Replace cylinder. 3. Remove the nozzle & clean it. 4. Use soapy water to find the leak and repair.
Burner starts but stops as the gas valve is released.	The thermocouple is not warm enough.	Repeat the starting operation, keeping the gas valve button depressed for a longer time.
Heater stops during operation.	Excessive gas supply.	<ol style="list-style-type: none"> 1. Check the pressure regulator, and replace if necessary. 2. Check that fan motor works properly. 3. Check, and use a larger cylinder, or two or more in parallel. 4. Investigate cause, check to ensure there are no obstructions to air flow. Check adequate ventilation is provided. See also 'Motor does not Start'.

WIRING DIAGRAMS

IMPORTANT: The wiring to these heaters should not be tampered with under any circumstances. Should any wiring problems occur, contact your nearest CLARKE dealer or a qualified electrician.

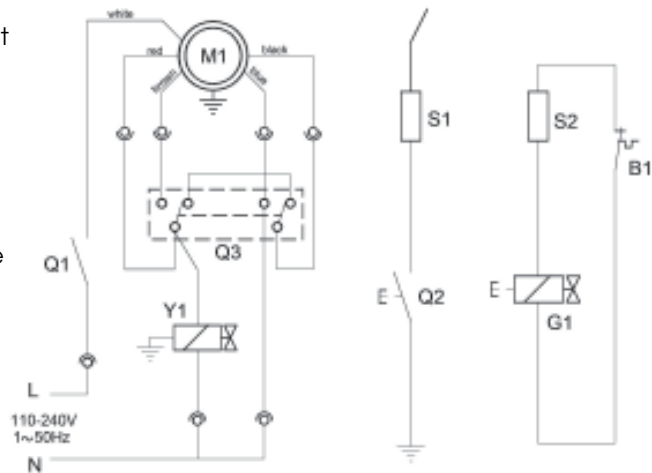
LITTLE DEVIL & DEVIL 650/660SS

- B1 Safety Thermostat
- G1 Gas Valve
- M1 Fan Motor
- Q1 Switch
- Q2 Piezoigniter
- S1 Ignition Electrode
- S2 Thermocouple
- Y1 Solenoid Valve



DEVIL 850/860SS & 1250/1260SS

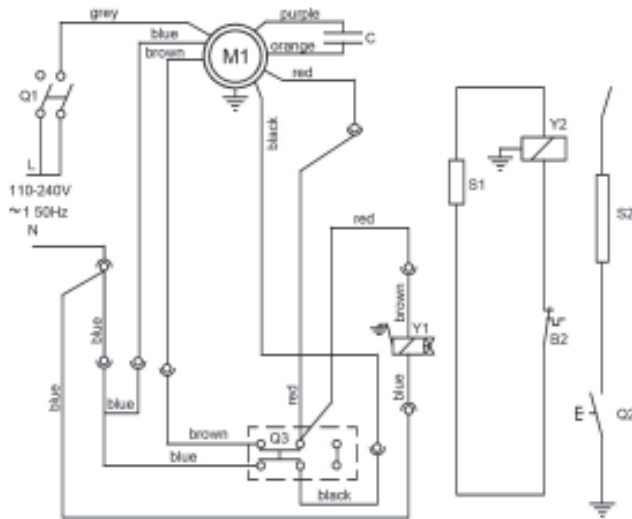
- B1 Safety Thermostat
- G1 Gas Valve
- M1 Fan Motor
- Q1 Switch
- Q2 Piezoigniter
- S1 Ignition Electrode
- S2 Thermocouple
- Y1 Solenoid Valve



WIRING DIAGRAMS

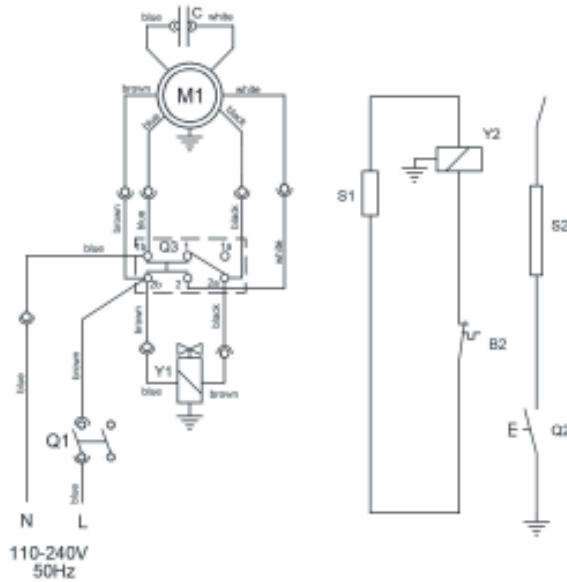
DEVIL 1850 & DEVIL 3000

- B2 Safety Thermostat
- M1 Fan Motor
- Q1 Switch
- Q2 Piezoigniter
- Q3 Voltage Selector
- S1 Thermocouple
- S2 Ignition Electrode
- Y1 Solenoid Valve
- Y2 Gas Valve
- C Capacitor

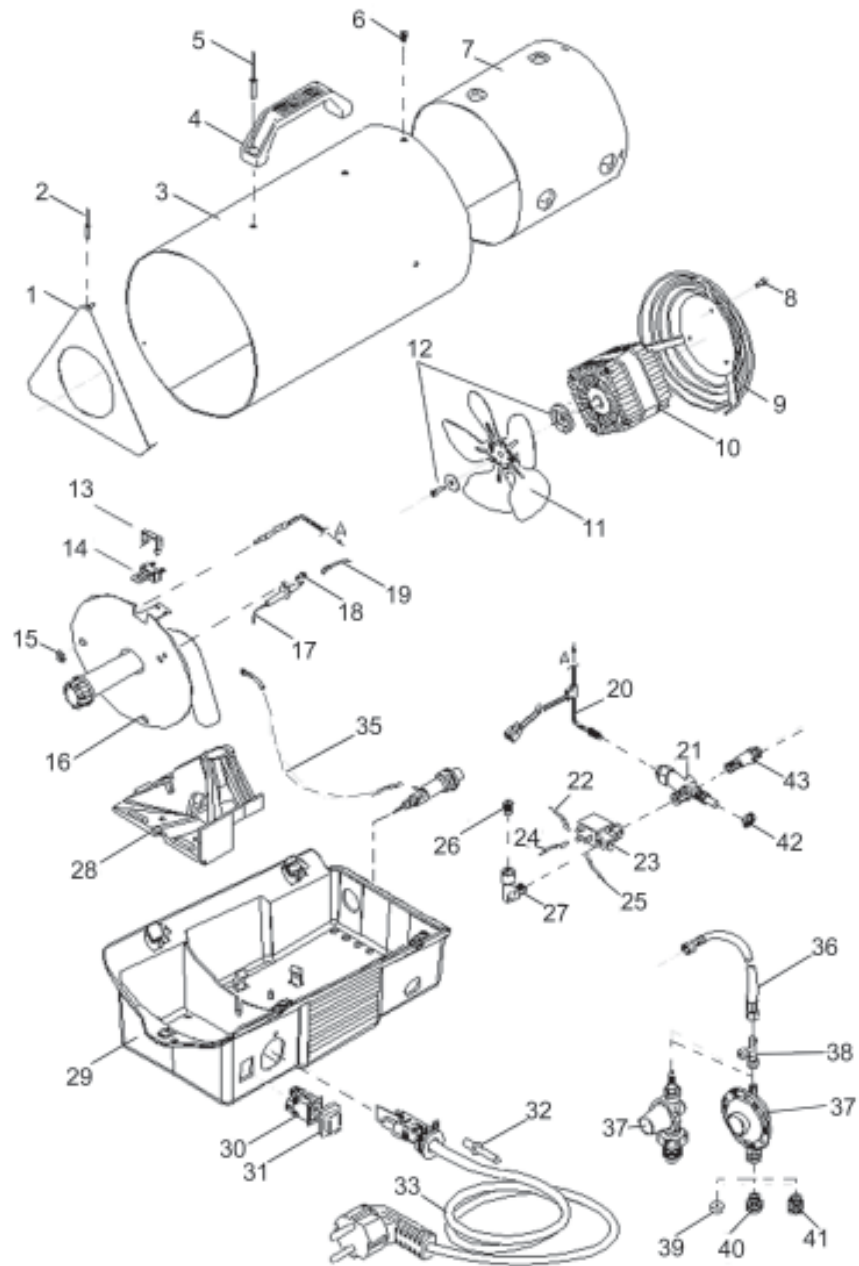


DEVIL 3150

- B2 Safety Thermostat
- M1 Fan Motor
- Q1 Switch
- Q2 Piezoigniter
- Q3 Voltage Selector
- S1 Thermocouple
- S2 Electrode
- Y1 Solenoid Valve
- Y2 Gas Valve



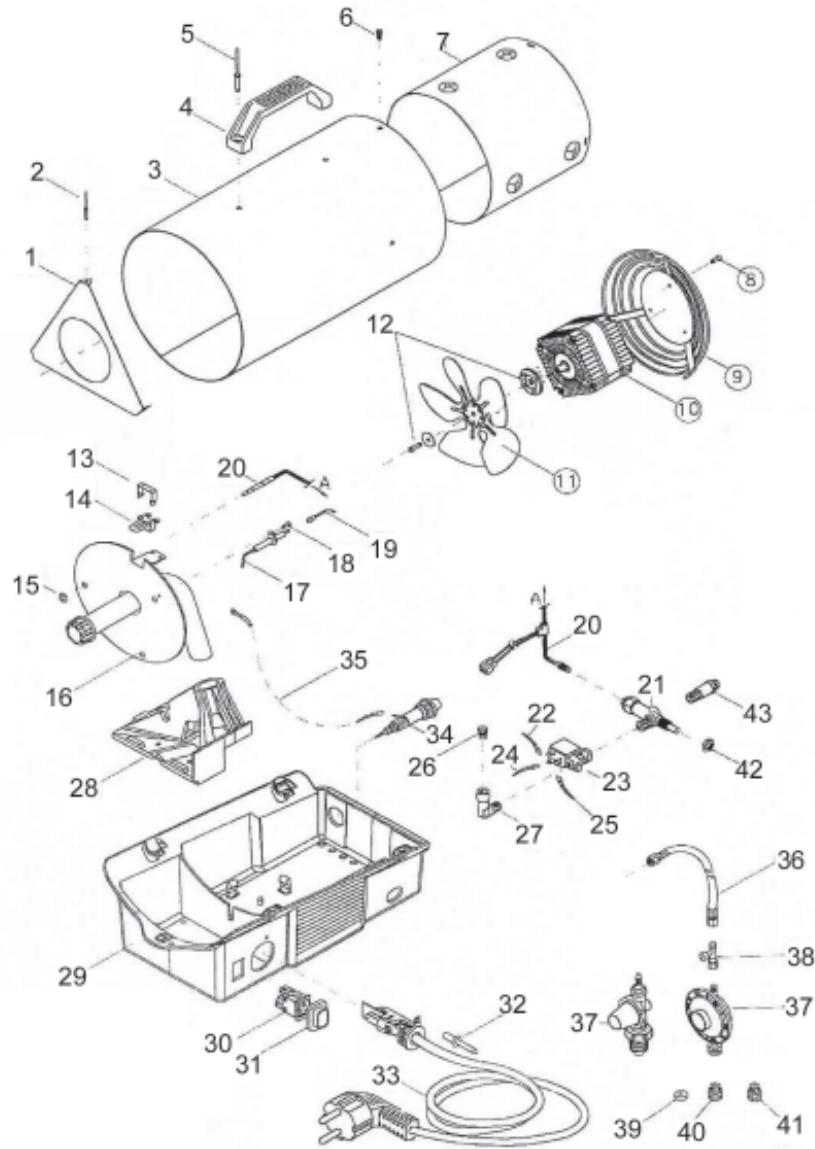
PARTS DIAGRAM - LITTLE DEVIL/SS



PARTS LIST - LITTLE DEVIL /SS

No.	Description	Part No.	No.	Description	Part No.
1	Triangular Guard	20620016	21	Gas Valve	20140001
2	Rivet	20230196	22	Cable	20390039
3	Casing (painted)	20630075	23	Solenoid Valve	20420003
	Casing (stainless)	20620444	24	Cable	20390014
4	Handle	20010007	25	Cable	20390136
5	Rivet	20230191	26	Gas Nozzle	20210099
6	Screw	20230013	27	'L' Fitting	20120002
7	Chamber	20620470	28	Burner Support	20010053
8	Screw	20230010	29	Plastic Base	20010052
9	Rear Guard	20010094	30	Switch	20320005
10	Motor	20400023	31	Switch Cover	n/a
11	Fan	20200014	32	Rivet	20230194
12	Coupling	20010038	33	Power Cable	20390348
13	Bracket	20230251	34	PiezoElectric Igniter	20320019
14	Safety Thermostat	20360008	35	Cable	20390217
15	Circlip	20230223	36	Gas Hose(1.5m)UK	20160007
16	Burner	20622306	37	Pressure Regulator	20150000
17	Ignition Electrode	20300004	38	Safety Valve	20140002
18	Screw	20230013	39	Gasket	20020013
19	Cable	20390001	40	Bottle Adaptor (IT)	20120050
20	Thermocouple	20130004	41	Bottle Adaptor (Fr)	20120051
			42	Nut	20230128
			43	Inlet Fitting (UK)	20100034

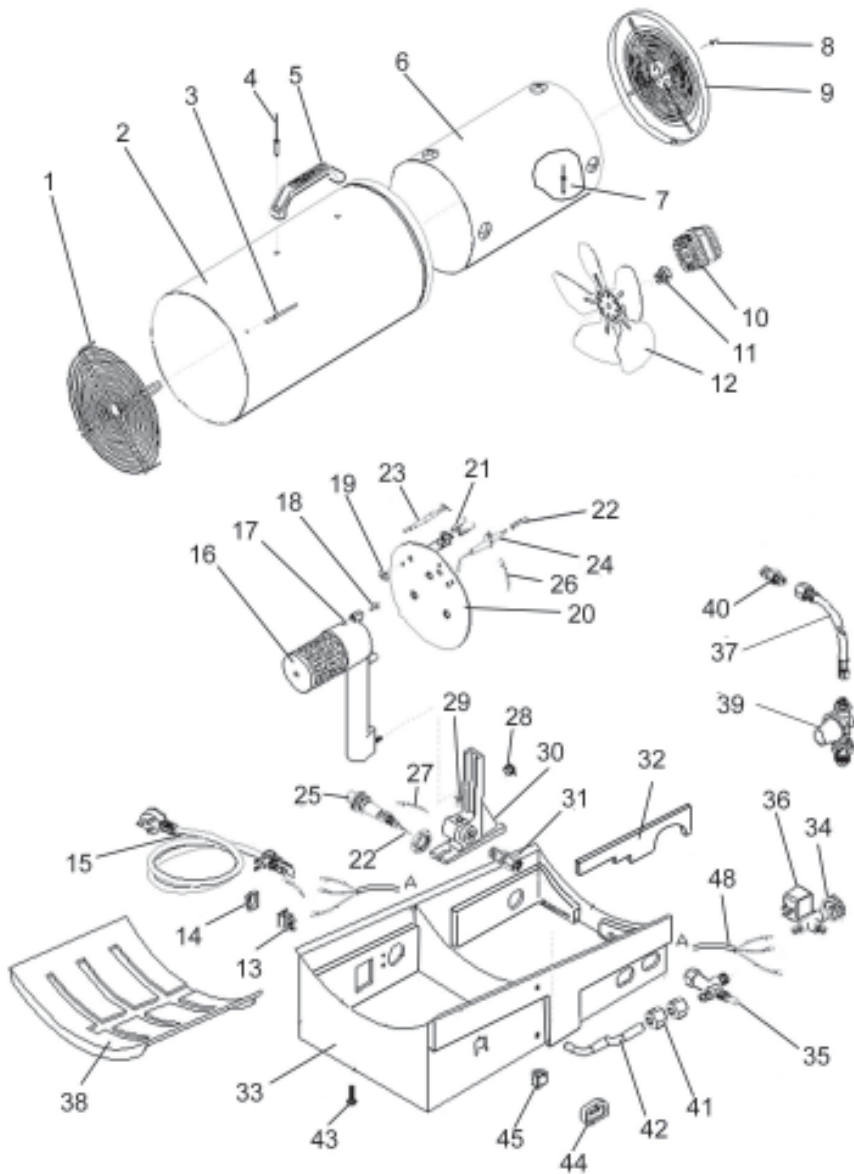
PARTS DIAGRAM - DEVIL 650/660



PARTS LIST - DEVIL 650/660

No.	Description	Part No.	No.	Description	Part No.
1	Triangular Guard	20620016	21	Gas Valve	20140001
2	Rivet	20230196	22	Cable	20390039
3	Casing (painted)	20630076	23	Solenoid Valve	20420003
	Casing (stainless)	20620445	24	Cable	20390014
4	Handle	20010007	25	Cable	20390136
5	Rivet	20230191	26	Gas Nozzle	20210047
6	Screw	20230013	27	'L' Fitting	20120002
7	Chamber	20620471	28	Burner Support	20010053
8	Screw	20230010	29	Plastic Base	20010052
9	Rear Guard	20010094	30	Switch	20320005
10	Motor	20400023	31	Switch Cover	n/a
11	Fan	20200014	32	Rivet	20230194
12	Coupling	20010038	33	Power Cable	20390348
13	Bracket	20230251	34	PiezoElectric Igniter	20320019
14	Safety Thermostat	20360008	35	Cable	20390217
15	Circlip	20230223	36	Gas Hose(1.5m)UK	20160007
16	Burner	20622306	37	Pressure Regulator	20150003
17	Ignition Electrode	20300004	38	Safety Valve	20140004
18	Screw	20230013	39	Gasket	20020013
19	Cable	20390001	40	Bottle Adaptor (IT)	20120050
20	Thermocouple	20130004	41	Bottle Adaptor (Fr)	20120051
			42	Nut	20230128
			43	Inlet Fitting (UK)	20100034

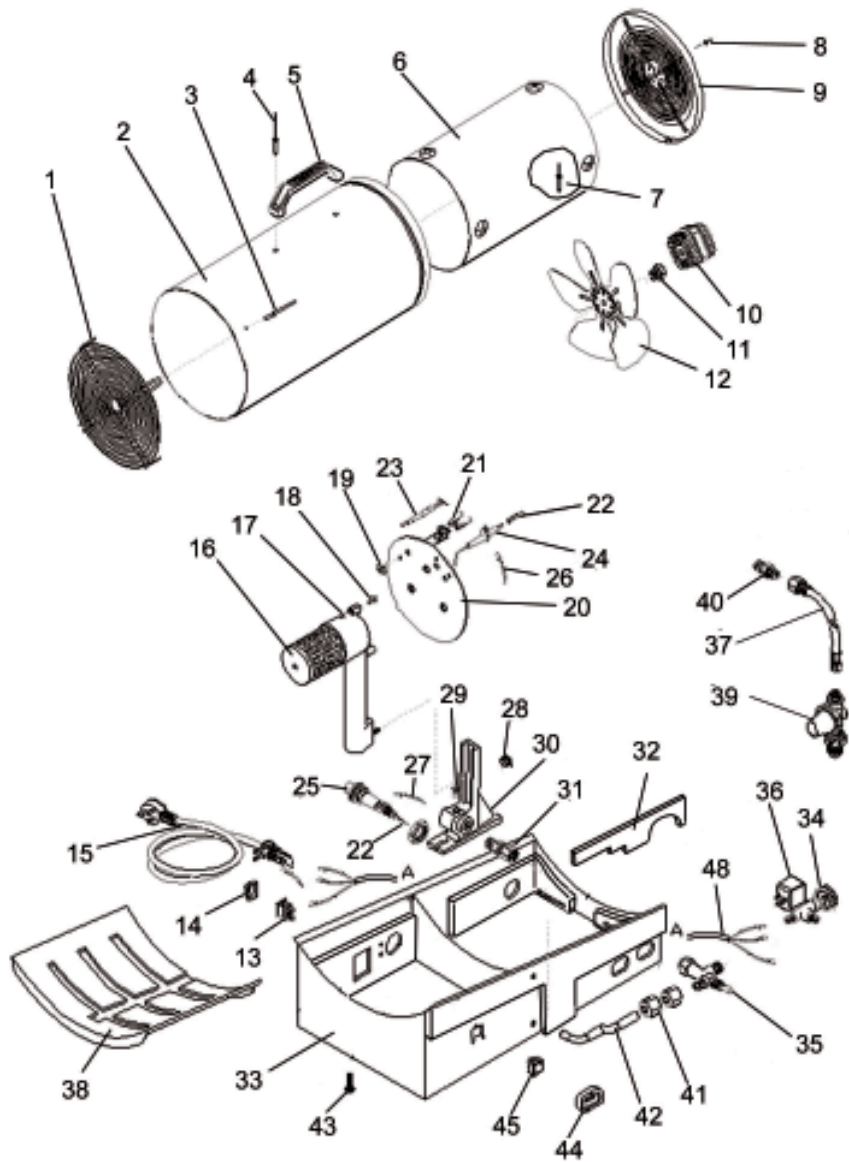
PARTS DIAGRAM - DEVIL 850/860



PARTS LIST - DEVIL 850/860

No.	Description	Part No.	No.	Description	Part No.
1	Front Grille	20240009	26	Cable 320mm	20390000
2	Casing	20630950	27	Cable 230mm	20390002
3	Rivet	20230197	28	Nut	20230127
4	Rivet	20230191	29	Nozzle	20210038
5	Handle	20010006	30	Burner Support	20650006
6	Chamber	20620455	31	Fitting	20120053
7	Rivet	20230198	32	Bulkhead	20010019
8	Screw	20230066	33	Lower Support	20010055
9	Rear Grid	20010095	34	Knob	20010029
10	Motor	20400019	35	Gas Valve	20140001
11	Coupling	20010038	36	Solenoid Valve	20420011
12	Fan	20200021	37	Gas Hose	20160007
13	Switch	20320003	38	Cover	20010021
14	Switch Cover	n/a	39	Pressure Regulator	20150006
15	Power Cable	20390348	40	Nipple	20120045
16	Burner	20621488	41	Fitting	20120054
17	Nut	20230127	42	Copper Pipe	20170002
18	Screw	20230019	43	Screw	20230065
19	Circlip	20230223	44	Fixing Plate	20010030
20	Burner Disc	20621836	45	Voltage Selector	20320021
21	Safety Thermostat	20360008	46	Cable 210/100mm	20390039
22	n/a		47	Cable 440mm	20390054
23	Thermocouple	20130002	48	Cable 480mm	20390064
24	Electrode	20300000			
25	Piezo-ignitor	20320019			

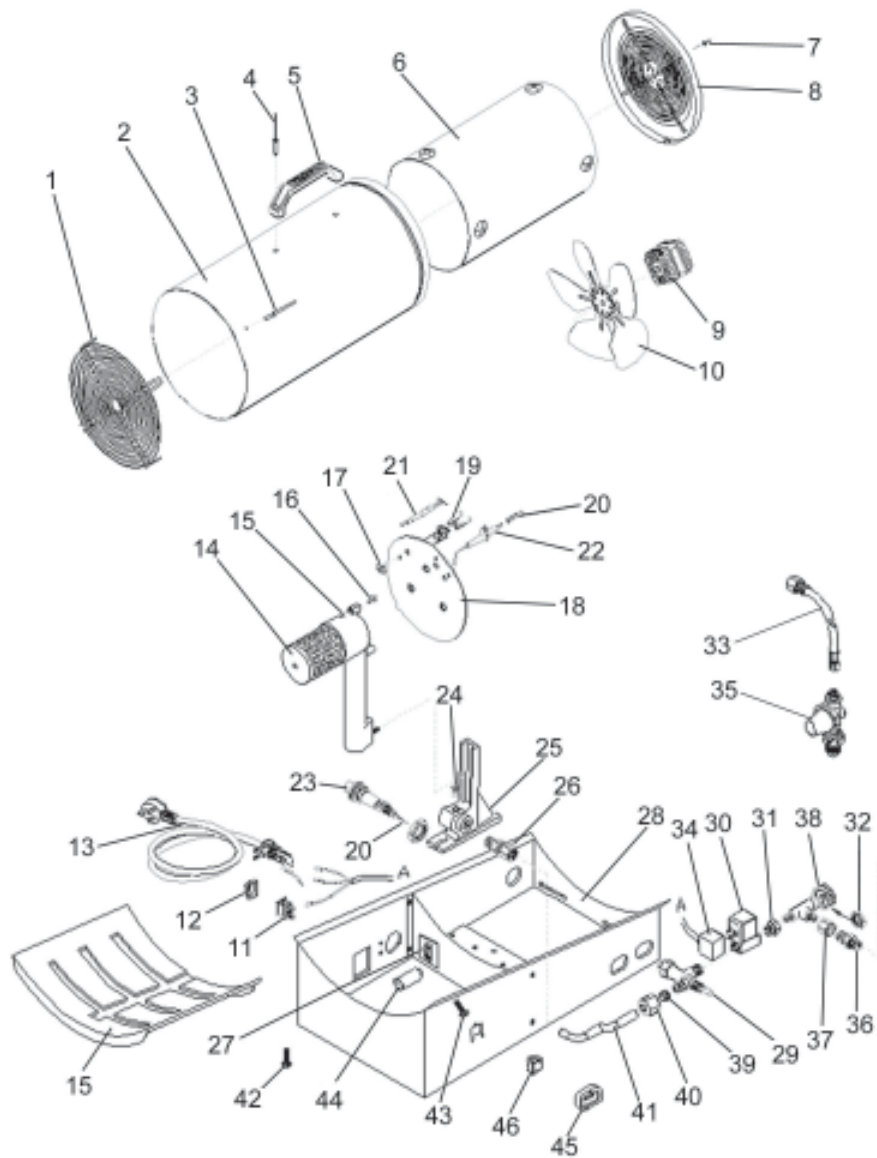
PARTS DIAGRAM - DEVIL 1250/1260



PARTS LIST - DEVIL 1250/1260

No.	Description	Part No.	No.	Description	Part No.
1	Front Grille	20240009	26	Cable 320mm	20390000
2	Casing	20630960	27	Cable 230mm	20390002
3	Rivet	20230197	28	Nut	20230127
4	Rivet	20230191	29	Nozzle	20210039
5	Handle	20010006	30	Burner Support	20650006
6	Chamber	20620459	31	Fitting	20120053
7	Rivet	20230198	32	Bulkhead	20010019
8	Screw	20230066	33	Lower Support	20010055
9	Rear Grid	20010095	34	Knob	20010029
10	Motor	20400019	35	Gas Valve	20140001
11	Coupling	20010038	36	Solenoid Valve	20420010
12	Fan	20200021	37	Gas Hose	20160007
13	Switch	20320003	38	Cover	20010021
14	Switch Cover	n/a	39	Pressure Regulator	20150007
15	Power Cable	20390348	40	Nipple	20120045
16	Burner	20621489	41	Fitting	20120054
17	Nut	20230127	42	Copper Pipe	20170002
18	Screw	20230019	43	Screw	20230065
19	Circlip	20230223	44	Fixing Plate	20010030
20	Burner Disc	20621836	45	Voltage Selector	20320021
21	Safety Thermostat	20360008	46	Cable 210/100mm	20390039
22	Cable	20390007	47	Cable 440mm	20390054
23	Thermocouple	20130002	48	Cable 480mm	20390064
24	Electrode	20300000			
25	Piezo-ignitor	20320019			

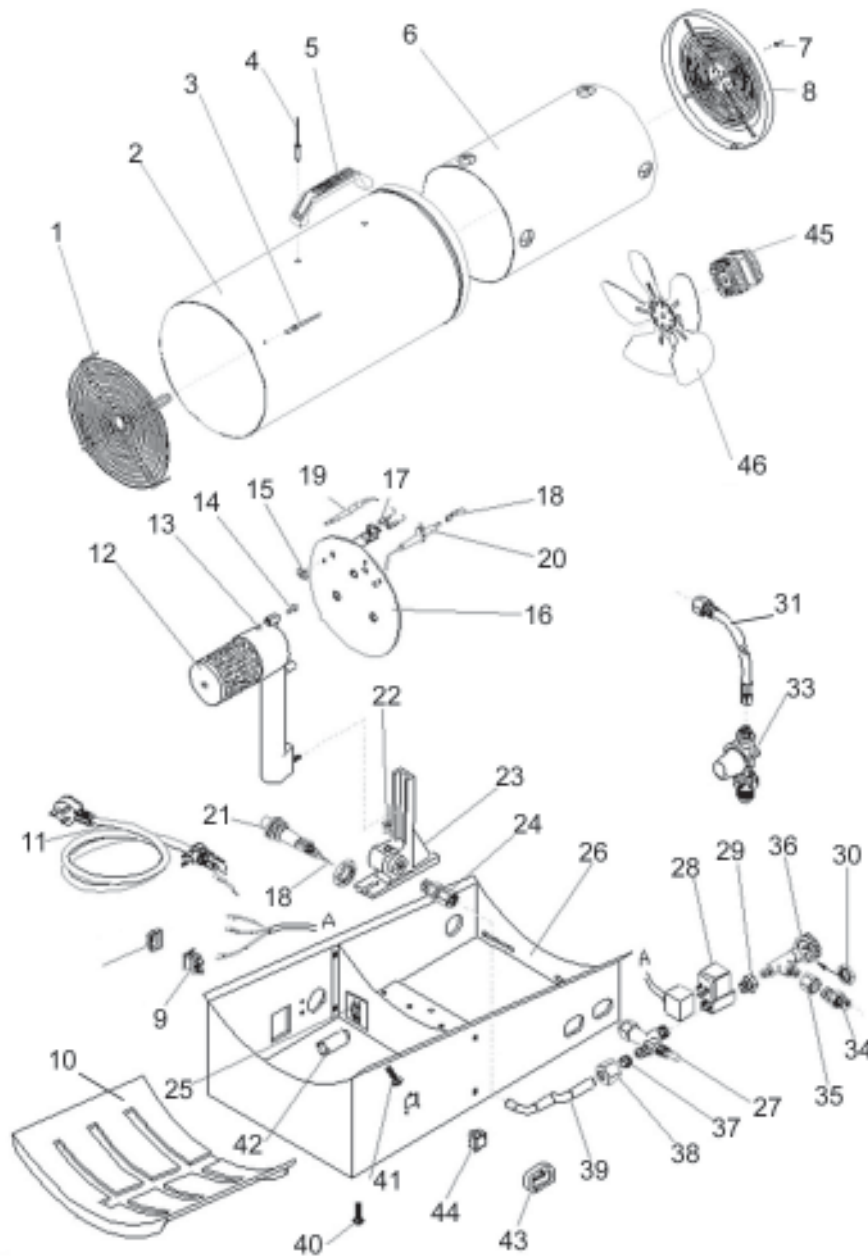
PARTS DIAGRAM - DEVIL 1850



PARTS LIST - DEVIL 1850

No.	Description	Part No.	No.	Description	Part No.
1	Front Grille	20240014	24	Nozzle	20210031
2	Casing	20630968	25	Burner Support	20650006
3	Rivet	20230197	26	Fitting	20120053
4	Rivet	20230191	27	Fixing Plate	20010025
5	Handle	20010005	28	Lower Support	20630594
6	Combust Chamber	20620463	29	Gas Valve	20140000
7	Screw	20230017	30	Solenoid Valve	20420001
8	Rear Duct	20630671	31	Fitting	20120027
9	Motor	20400046	32	Nut	20100015
10	Fan	20200017	33	Gas Hose	20160007
11	Switch	20320003	34	Connector + Cable	20430024
12	Switch Cover	20010051	35	Regulator	20150007
13	Power Cable	20390348	36	Nipple	20120015
14	Burner	20621490	37	Fitting	20100022
15	Nut	20230119	38	Gas Tap	20250002
16	Screw	20230019	39	Olive	20120052
17	Circlip	20230223	40	Fitting	20120046
18	Burner Disc	20621838	41	Copper Pipe	20170003
19	Safety Thermostat	20360008	42	Screw	20230065
20	Cable	20390007	43	Screw	20230062
21	Thermocouple	20130003	44	Capacitor	20490006
22	Electrode	20300000	45	Fixing Plate	20010030
23	Piezo-ignitor	20320012	46	Voltage Selector	20320021

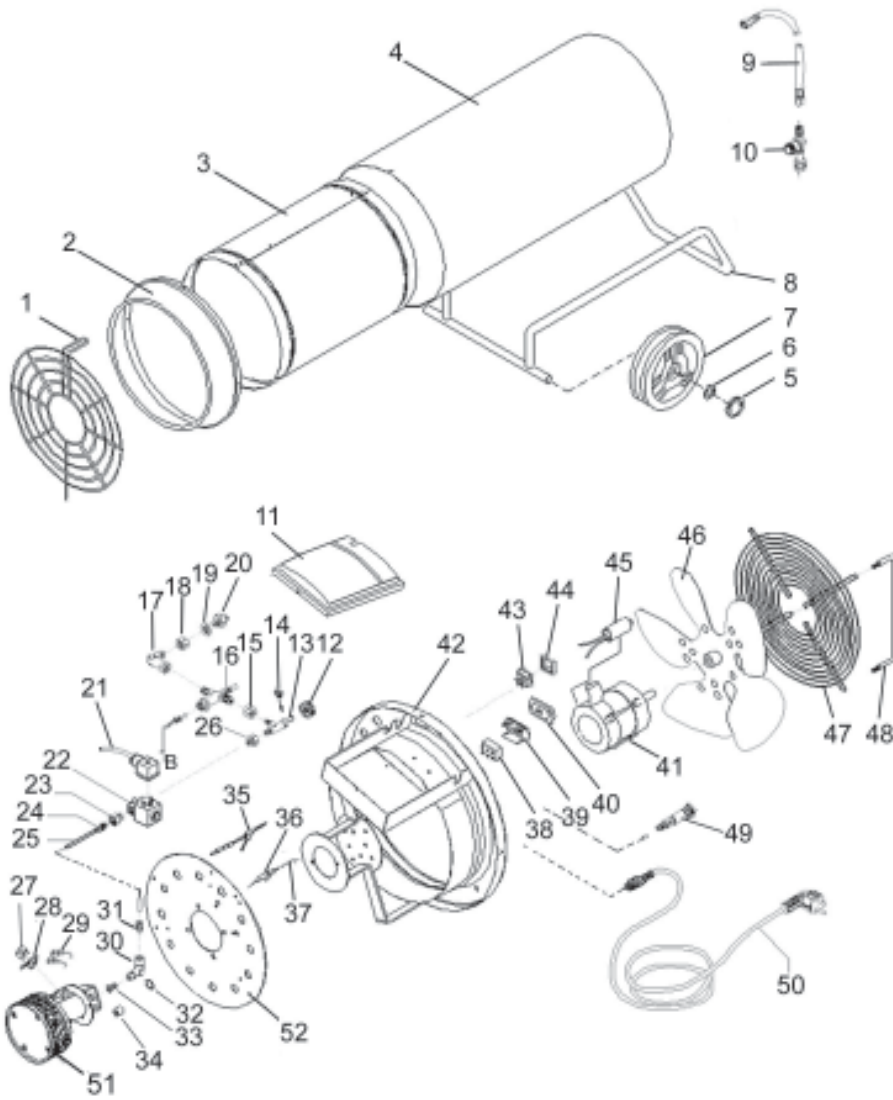
PARTS DIAGRAM - DEVIL 3000



PARTS LIST - DEVIL 3000

No.	Description	Part No.	No.	Description	Part No.
1	Front Grille	20240014	24	Nozzle	20210034
2	Casing	20630976	25	Burner Support	20650006
3	Rivet	20230197	26	Fitting	20120053
4	Rivet	20230191	27	Fixing Plate	20010025
5	Handle	20010005	28	Lower Support	20630594
6	Combust Chamber	20620465	29	Gas Valve	20140000
7	Screw	20230017	30	Solenoid Valve	20420001
8	Rear Duct	20630671	31	Fitting	20120027
9	Motor	20400041	32	Nut	20100015
10	Fan	20200041	33	Gas Hose	20160007
11	Switch	20320003	34	Connector + Cable	20430024
12	Switch Cover	20010051	35	Regulator	20150007
13	Power Cable	20390348	36	Nipple	20120015
14	Burner	20621492	37	Fitting	20100022
15	Nut	20230119	38	Gas Tap	20250003
16	Screw	20230019	39	Olive	20120052
17	Circlip	20230223	40	Fitting	20120046
18	Burner Disc	20621839	41	Copper Pipe	20170003
19	Safety Thermostat	20360008	42	Screw	20230065
20	Cable	20390007	43	Screw	20230062
21	Thermocouple	20130003	44	Capacitor	20490013
22	Electrode	20300000	45	Fixing Plate	20010030
23	Piezo-ignitor	20320012	46	Voltage Selector	20320021

PARTS DIAGRAM - DEVIL 3150



PARTS LIST - DEVIL 3150

No.	Description	Part No.	No.	Description	Part No.
1	Front Grille	20240031	26	Connector Fitting	20120027
2	Air Outlet - Red	20630014	27	Fixing Clip	20230245
2	Air Outlet - SS/Inox	20620241	28	Safety Thermostat	10360008
3	Chamber - Red	20620450	29	Cable	20390007
3	Chamber - SS/Inox	20621501	30	Connecting Elbow	20120006
4	Casing - Red	20632327	31	Straight Connector	20120048
4	Casing -SS/Inox	20620447	32	Circlip 6mm	20230223
5	Wheel Cap	20050003	33	Nozzle	20210032
6	Circlip D.20 mm	20230219	34	Spacer	20100030
7	Wheel D.200	20040001	35	Thermocouple	20130003
8	Support Frame	20610240	36	Fixing Plate	20300005
9	Gas Hose	20160007	37	Cable	20390007
10	Pressure Regulator	20150007	38	Switch Box	n/a
11	Plastic Cover	20010037	39	Voltage Selector	20320021
12	Control Knob	20010029	40	Selector Plate	20010030
13	Gas Tap	20250004	41	Motor	20400099
14	Nut	20100015	43	Air Inlet	20630144
15	Connector Fitting	20100022	43	Air Inlet SS/Inox	20620541
16	Gas Valve	20140000	44	Switch	20320003
17	Elbow Fitting	20120006	44	Switch Cover	n/a
18	Connector Fitting	20100022	45	Capacitor	20490008
19	Washer	20230162	46	Fan	20200010
20	Inlet Fitting	20120014	47	Rear Grille	20240005
21	Connector/cable	20430006	48	Handle	20610182
22	Solenoid Valve	20420001	49	Piezoignitor	20320012
23	Connector Fitting	20120027	50	Power Cable	20390222
24	Olive	20120048	51	Burner	n/a
25	Copper Pipe	20170015	52	Burner Disc	n/a

A SELECTION FROM THE VAST RANGE OF

Clarke®

QUALITY PRODUCTS

AIR COMPRESSORS

From DIY to industrial, Plus air tools, spray guns and accessories.

GENERATORS

Prime duty or emergency standby for business, home and leisure.

POWER WASHERS

Hot and cold, electric and engine driven - we have what you need

WELDERS

Mig, Arc, Tig and Spot. From DIY to auto/industrial.

METALWORKING

Drills, grinders and saws for DIY and professional use.

WOODWORKING

Saws, sanders, lathes, mortisers and dust extraction.

HYDRAULICS

Cranes, body repair kits, transmission jacks for all types of workshop use.

WATER PUMPS

Submersible, electric and engine driven for DIY, agriculture and industry.

POWER TOOLS

Angle grinders, cordless drill sets, saws and sanders.

STARTERS/CHARGERS

All sizes for car and commercial use.



PARTS & SERVICE: 0208 988 7400

E-mail: Parts@clarkeinternational.com or Service@clarkeinternational.com

SALES: UK 01992 565333 or Export 00 44 (0)1992 565335

Clarke INTERNATIONAL Hemnall Street, Epping, Essex CM16 4LG
www.clarkeinternational.com