

Clarke®



DEVIL HALOGEN HEATERS

MODEL NO: 370P, 370SP, 371P 371SP

PART NO: 6926000, 6 926005, 6926010 & 6926015

OPERATING & MAINTENANCE INSTRUCTIONS



GC0614

INTRODUCTION

Thank you for purchasing this CLARKE Quartz Halogen Infra-red Heater.

Before attempting to use this product, please read this manual thoroughly and follow the instructions carefully. In doing so you will ensure the safety of yourself and that of others around you, and you can look forward to your purchase giving you long and satisfactory service.

Your tool kit has been designed to give long and trouble free service. If, however, having followed the instructions in this booklet carefully, you encounter problems, take the unit to your local CLARKE dealer. roblems, take the unit to your local CLARKE dealer.

GUARANTEE

This product is guaranteed against faulty manufacture for a period of 12 months from the date of purchase. Please keep your receipt which will be required as proof of purchase.

This guarantee is invalid if the product is found to have been abused or tampered with in any way, or not used for the purpose for which it was intended.

Faulty goods should be returned to their place of purchase, no product can be returned to us without prior permission.

This guarantee does not effect your statutory rights.

ENVIRONMENTAL RECYCLING POLICY



Through purchase of this product, the customer is taking on the obligation to deal with the WEEE in accordance with the WEEE regulations in relation to the treatment, recycling & recovery and environmentally sound disposal of the WEEE.

In effect, this means that this product must not be disposed of with general household waste. It must be disposed of according to the laws governing Waste Electrical and Electronic Equipment (WEEE) at a recognised disposal facility.

GENERAL SAFETY RULES

1. These heaters are for INDOOR USE ONLY.
2. Do not expose the heater or power cable to rain or wet conditions. Any water entering the heater will increase the risk of electric shock. DO NOT use this heater in a bathroom, shower room or any other wet environment.
3. NEVER locate the heater near combustible materials such as curtains, furniture etc. Allow at least 1 metre distance.
4. DO NOT locate the heater close to an adjacent wall or low ceiling. Allow a distance of at least 1 metre from a wall or ceiling. Avoid placing the heater directly below power socket outlets.
5. Take care to ensure that the wire guard cannot be covered.
6. Do not operate heater in explosive atmospheres such as in the presence of flammable liquids, gases or dust such as in a paint spray booth or any explosive environment.
7. Never stand the heater on a movable vehicle where it could tip over.
8. Do not allow the halogen tubes to become covered with dust which could become a fire hazard. If used in a dusty workplace it should be cleaned as described under Cleaning and Maintenance.
9. NEVER touch the halogen tubes for at least 15 minutes after switching off.
10. DO NOT leave the heater unattended.
11. If children are present always use with a fireguard.
12. Store the heater out of the reach of children and do not allow persons unfamiliar with these instructions to operate it.
13. Do not use this heater with a programmable timer used to switch it on automatically.
14. Use ONLY in an upright position.
15. Always manoeuvre the heater using the handles provided and avoid trapping the fingers between the handle and the heater body.

ELECTRICAL SAFETY

1. Electrical appliances must match the power outlet. Never modify the plug in any way. Do not use adaptor plugs with earthed (grounded) appliances. Correct plugs and outlets will reduce the risk of electric shock.
2. Do not abuse the electrical cable. Never use the cable for pulling or unplugging the heater. Keep the cable away from sources of heat, oil,

sharp edges or moving parts. Damaged or tangled cables increase the risk of electric shock.

3. Keep the mains cable well away from machines and ensure an adequate electrical supply is close at hand so that the operation is not restricted by the length of the cable.
4. ALWAYS disconnect from the mains supply before moving the heater, or performing any cleaning or maintenance tasks.
5. Inspect the mains cable regularly for signs of damage. DO NOT use if it is damaged, and ALWAYS keep it away from the source of heat.
6. Check the heater for damage before use. DO NOT use if the heater tubes are damaged or broken. Any damage should be properly repaired or the part replaced. If in doubt, **DO NOT** use. Consult your local Clarke dealer.

SERVICE & REPAIRS

1. If necessary, have your heater repaired by a qualified person using identical replacement parts. This will ensure that the safety of the appliance is maintained.

Additionally, please keep these instructions in a safe place for future reference.

ELECTRICAL CONNECTIONS

DEVIL 370P & 370SP HEATER UNITS

The 370 models are provided with a 13 amp BS 1363 plug, fitted with a 13amp fuse and MUST be connected to a standard, 230 Volt (50Hz) electrical supply, preferably through a suitably fused isolator switch.




WARNING: THIS APPLIANCE MUST BE EARTHED

IMPORTANT: The wires in the mains lead should be wired up in accordance with the following colour code:

Green & Yellow	-	Earth
Blue	-	Neutral
BrowN	-	Live

As the colours of the flexible cable of this appliance may not correspond with the coloured markings identifying terminals in your plug, proceed as follows:

- Connect the GREEN & YELLOW coloured cord to the plug terminal marked with a letter E or Earth symbol 
- or coloured GREEN or GREEN & YELLOW.
- Connect the BROWN coloured cord to the plug terminal marked a letter "L" or coloured RED
- Connect the BLUE coloured cord to the plug terminal marked a letter "N" or coloured BLACK.

If this appliance is found to be fitted with a plug which is moulded on to the electric cable (i.e. non-rewireable) please note:

1. The plug must be thrown away if it is cut from the electric cable. There is a danger of electric shock if it is subsequently inserted into a socket outlet.
2. Never use the plug without the fuse cover fitted.
3. Should you wish to replace a detachable fuse carrier, ensure that the correct replacement is used (as indicated by marking or colour code).
4. Replacement fuse covers can be obtained from your local Clarke dealer or most electrical stockists.

FUSE RATING

The fuse in the plug must be replaced with one of the same rating and this replacement must be ASTA approved to BS1362.

We strongly recommend that this machine is connected to the mains supply via a Residual Current Device (RCD).

DEVIL 371P & 371SP HEATER UNITS

The 371 models MUST be connected to a 110 Volt, 1 phase 50Hz supply through a suitably fused isolator switch. On no account must a 230V, 13amp (BS1363) plug be used.

NOTE: *If a portable 110V transformer is used, make sure it has a rated capacity sufficient to take the load of the heater.*

In the event that the heater is hard wired into the electrical system, it must be carried out in accordance with IEE regulations.

The user should purchase a suitable connecting lead which is compatible with the appliance socket. A length of 2-3 metres is recommended as giving mobility to the heater but without becoming a trip hazard.

If in any doubt, consult a qualified electrician. DO NOT attempt any electrical repairs yourself.

UNPACKING AND ASSEMBLY

Before assembling, please check contents against the following list and advise your dealer immediately if any parts are missing.

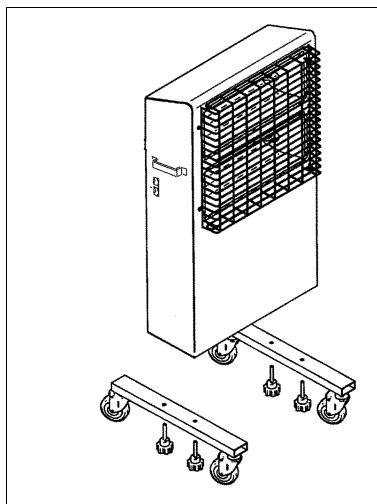
- | | |
|---|-------------------------------|
| 1 x Heater | 2 x Halogen Lamps |
| 2 x Support Legs (P only) | 1 x Frame (SP only) |
| 2 x Securing Knobs (SP only) | 2 x Saddle Supports (SP only) |
| 2 x Handles (P only)/1 x Handle (SP only) | 1 x Fixings pack |
| 4 x Castors (2 with brakes-P models) or 3 Castors (one braked -SP models) | |

TOOLS REQUIRED

7mm, 13mm and 14mm spanners, pozidrive (phillips) screwdriver

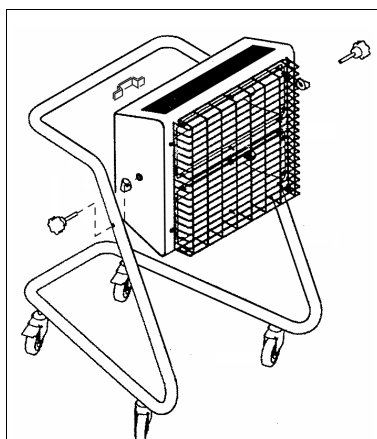
DEVIL 370 /371P

1. Attach the four castors to the support legs using the 13mm nuts.
2. Attach the legs to the main body using 14mm securing bolts supplied.
3. Attach the handles to each side of the heater body using the screws supplied.
4. Fit the halogen lamps (see page 7).



DEVIL 370SP/371SP

1. Attach the castors to the frame using the 13mm nuts, ensuring the castor with the brake is at the rear of the unit.
2. Attach the handle to the heater body using the screws supplied.
3. Attach the frame to the heater body as shown in the drawing, using the securing knobs and the plastic saddle supports located either side of the frame tubing.
4. Fit the halogen lamps (see page 7).



OPERATION

1. Position the heater where required, and lock the castors to prevent the heater from moving. Always move the heater using the handles.
2. Slacken the locking knobs and rotate the heater body to the required angle. Tighten the securing knobs on each side to lock into place (SP models only).
3. Connect the mains cable to a suitable power supply.
4. Use the on/off switches to turn on either one, or both heating elements.

IMPORTANT: When using the SP model heaters, the angle of tilt MUST NOT exceed 45 degrees downwards, as this could lead to the heater overheating. NEVER position the heater pointing vertically downwards

CLEANING & MAINTENANCE

If the heater has been used, ALWAYS allow it to cool down for at least 15 minutes and disconnect from the mains supply before performing any maintenance tasks.

PERIODICALLY

- If there is any serious build up of dirt, wipe thoroughly with a damp cloth. Take care that no moisture enters the heater. Take care NOT to touch the tubes with your fingers.
- Inspect the mains cable for damage. Undue heat will cause the cable to stiffen and crack. If this is found, have the cable replaced. Check cable routing and ensure it is well away from the heat source.
- Ensure heating lamps are clear of dust (use compressed air to clean if possible. (ALWAYS wear a dust mask if performing this operation)
- Refer to your CLARKE dealer if internal maintenance is required.
- When storing the heater, allow it to cool down, then place it in its packing box for storage in a dry, ventilated place.

FITTING/ REPLACING LAMPS

Before attempting to fit/replace halogen lamps, ensure the heater is switched off and isolated from the main electrical supply by removing the plug from the socket.

NEVER handle the heater lamps with bare hands. **ALWAYS** handle using either a soft clean glove or a piece of soft clean cloth wrapped around the lamp.

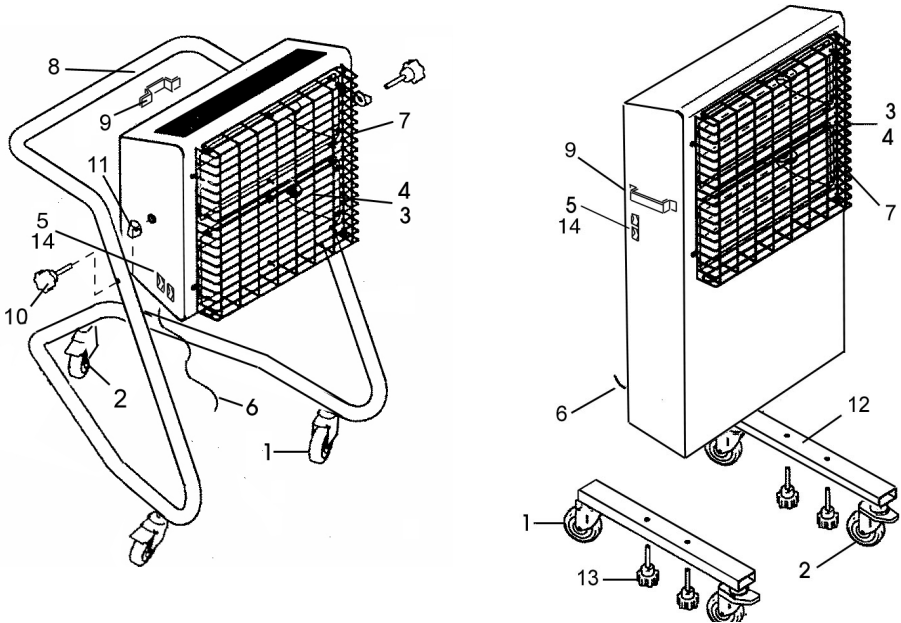
1. Loosen and remove the two pozidrive screws securing the wire guard, remove the guard and store removed parts safely.
2. To remove lamp, grasp lamp and gently but firmly push it to one end of the heater. The lamp holders are spring loaded and will allow the lamp sufficient movement to clear the opposite holder.
3. Remove the lamp and dispose of, according to local regulations.
4. Fit new halogen lamp in reverse order, repeat procedure for second tube.
5. Replace the guard using the screws removed earlier.

The heater is now ready for use again & may be plugged in and switched on.

FAULT FINDING

SYMPTOM	PROBLEM	SOLUTION
Heater does not operate, although plugged in and switched on.	Plug is loose/bad connection.	Remove the plug & check the connection of the plug and socket.
	Fuse blown.	Replace if necessary and investigate the cause. If fuse blow repeatedly, consult your Clarke dealer.
	No power at socket outlet	Insert plug into a suitable socket.
	Tilt safety switch is disabling unit	Ensure unit is upright. If switch does not re-set, consult your Clarke dealer.
Heater element is glowing hot	Input voltage incorrect.	Ensure power supply matches the rating on the label.
	Air inlet partly blocked.	Ensure the heater is kept away from any objects or materials which could partially cover the wire guard or be drawn onto it.

PARTS DIAGRAM



No	Description	Devil 370	Devil 371
1	Castor (standard)	WGDEV37001	WGDEV37101
2	Castor with Brake	WGDEV37002	WGDEV37102
3	Ceramic End Cap	WGDEV37003	WGDEV37103
4	Quartz Halogen Tube	WGDEV37004	WGDEV37104
5	ON/OFF Switch	WGDEV37005	WGDEV37105
6	Power Cable	WGDEV37006	WGDEV37106
7	Wire Guard	WGDEV37007	WGDEV37107
8	Frame (SP only)	WGDEV37008	WGDEV37108
9	Plastic Handle	WGDEV37009	WGDEV37109
10	Securing KNoB (SP only)	WGDEV37010	WGDEV37110
11	Plastic Saddle (SP only)	WGDEV37011	WGDEV37111
12	Support Bar (P only)	WGDEV37012	WGDEV37112
13	Securing Bolt (P only)	WGDEV37013	WGDEV37113
14	Tilt Safety Switch	WGDEV37014	WGDEV37114

SPECIFICATIONS

Model Number	Devil 370P	Devil 370SP	Devil 371P	Devil 371SP
Model Number	6926000	6926005	6926010	6926015
Weight	16.6 kg	15.6 kg	16.6 kg	15.6 kg
Dimensions (L x W x H)	490 x 570 x 890 mm	570 x 510 x 620 mm	490 x 570 x 890 mm	570 x 510 x 620 mm
Wattage	3 kW	3 kW	3 kW	3 kW
Amperage	12.5 a	12.5 A	27.2 a	27.2 a
Supply Voltage	230V/50 hz	230V/50 hz	110v/50hZ	110v/50hZ
Fuse Rating	13 a	13 A	32 A	32 A
Insulation Class	IP20	IP20	IP20	IP20
Max Heat Output	3 kw	3 kw	3 kw	3 kw

Please note that the details and specifications contained herein are correct at the time of going to print. However CLARKE International reserve the right to change specifications at any time without prior notice. Always consult the machine's data plate.

DECLARATION OF CONFORMITY



Clarke[®]
INTERNATIONAL

Hemnall Street, Epping, Essex CM16 4LG

DECLARATION OF CONFORMITY

This is an important document and should be retained.

We hereby declare that this product(s) complies with the following directive(s):

2006/95/EC *Low Voltage Equipment Directive*

2011/65/EU *Restriction of Hazardous substances*

The following standards have been applied to the product(s):

EN 60335-1:2012, EN 60335-2-30:2009, EN 62233:2008.

The technical documentation required to demonstrate that the product(s) meet(s) the requirement(s) of the aforementioned directive(s) has been compiled and is available for inspection by the relevant enforcement authorities.

The CE mark was first applied in: 2006

Product Description: Quartz Halogen Infra-red Heaters (110V and 230V)

Model number(s): Devil 370SP, Devil 370P, Devil 371SP, Devil 371P

Serial / batch Number: N/A

Date of Issue: 17/06/2014

Signed:

J.A. Clarke
Director

A SELECTION FROM THE VAST RANGE OF

Clarke®

QUALITY PRODUCTS

AIR COMPRESSORS

From DIY to industrial, Plus air tools, spray guns and accessories.

GENERATORS

Prime duty or emergency standby for business, home and leisure.

POWER WASHERS

Hot and cold, electric and engine driven - we have what you need

WELDERS

Mig, Arc, Tig and Spot. From DIY to auto/industrial.

METALWORKING

Drills, grinders and saws for DIY and professional use.

WOODWORKING

Saws, sanders, lathes, mortisers and dust extraction.

HYDRAULICS

Cranes, body repair kits, transmission jacks for all types of workshop use.

WATER PUMPS

Submersible, electric and engine driven for DIY, agriculture and industry.

POWERTOOLS

Angle grinders, cordless drill sets, saws and sanders.

STARTERS/CHARGERS

All sizes for car and commercial use.



PARTS & SERVICE: 0208 988 7400

E-mail: Parts@clarkeinternational.com or Service@clarkeinternational.com

SALES: UK 01992 565333 or Export 00 44 (0)1992 565335

Clarke INTERNATIONAL Hemhall Street, Epping, Essex CM16 4LG
www.clarkeinternational.com