

Clear-See®



CERAMIC HEATER

Model: Devil 350

Part No: 6920262

OPERATING & MAINTENANCE INSTRUCTIONS



GC0414

INTRODUCTION

Thank you for purchasing this CLARKE Ceramic Heater.

Please read this manual thoroughly and follow the instructions carefully. Before attempting to use the heater, thoroughly familiarise yourself with the heater & its operation. In doing so you will ensure the safety of yourself and that of others around you, and you can look forward to the heater giving you long and satisfactory service.

GUARANTEE

This product is guaranteed against faulty manufacture for a period of 12 months from the date of purchase. Please keep your receipt which will be required as proof of purchase.

This guarantee is invalid if the product is found to have been abused or tampered with in any way, or not used for the purpose for which it was intended.

Faulty goods should be returned to their place of purchase, no product can be returned to us without prior permission.

This guarantee does not effect your statutory rights.

ENVIRONMENTAL RECYCLING POLICY



Through purchase of this product, the customer is taking on the obligation to deal with the WEEE in accordance with the WEEE regulations in relation to the treatment, recycling & recovery and environmentally sound disposal of the WEEE.

In effect, this means that this product must not be disposed of with general household waste. It must be disposed of according to the laws governing Waste Electrical and Electronic Equipment (WEEE) at a recognised disposal facility.

GENERAL SAFETY RULES

WORK AREA

1. This heater is for INDOOR USE ONLY.
2. Do not expose the heater or power cable to rain or wet conditions. Any water entering the heater will increase the risk of electric shock. DO NOT use this heater in a bathroom, shower room or any other wet environment.
3. NEVER locate the heater near combustible materials such as curtains, furniture etc. Allow at least 1 metres clearance.
4. DO NOT locate the heater close to an adjacent wall or low ceiling. Allow a distance of at least 1 metre from a wall or ceiling. Avoid placing the heater directly below power socket outlets.
5. Take care to ensure that the front guard cannot be covered.
6. Do not operate heater in explosive atmospheres such as in the presence of flammable liquids, gases or dust such as in a paint spray booth or any explosive environment.
7. Never stand the heater on a movable vehicle where it could tip over.
8. Do not allow the heat elements to become covered with dust which could become a fire hazard. If used in a dusty workplace it should be cleaned as described under Cleaning and Maintenance.
9. NEVER touch the heating elements for at least 15 minutes after switching off.
10. DO NOT leave the heater unattended.
11. If children are present always use with a fireguard.
12. Store the heater out of the reach of children and do not allow persons unfamiliar with these instructions to operate it.
13. Do not use this heater with a programmable timer used to switch it on automatically.
14. This heater must only be located on a firm, level, surface but is fitted with an anti-tilt switch which will switch the unit off should it tip over.

ELECTRICAL SAFETY

1. Electrical appliances must match the power outlet. Never modify the plug in any way. Do not use adaptor plugs with earthed (grounded) appliances. Correct plugs and outlets will reduce the risk of electric shock.
2. Do not abuse the electrical cable. Never use the cable for pulling or unplugging the heater. Keep the cable away from sources of heat, oil, sharp edges or moving parts. Damaged or tangled cables increase the risk of electric shock.

3. ALWAYS disconnect from the mains supply before moving the heater, or performing any cleaning or maintenance tasks.
4. Keep the mains cable well away from machines and ensure an adequate electrical supply is close at hand so that the operation is not restricted by the length of the cable.
5. Inspect the mains cable regularly for signs of damage. DO NOT use if it is damaged, and ALWAYS keep it away from the source of heat.
6. Check the heater for damage before use. Any damage should be properly repaired or the part replaced. If in doubt, **DO NOT** use. Consult your local Clarke dealer.

SERVICE & REPAIRS

1. If necessary, have your heater repaired by a qualified person using identical replacement parts. This will ensure that the safety of the heater is maintained.

Please keep these instructions in a safe place for future reference.

ELECTRICAL CONNECTIONS



WARNING! Read these electrical safety instructions thoroughly before connecting the product to the mains supply.

Before switching the machine on, make sure that the voltage of your electricity supply is the same as that indicated on the rating plate. This product is designed to operate using 230 VAC mains power. Connecting it to any other power source may cause damage.

This product may be fitted with a non-rewireable plug. If it is necessary to change the fuse in the plug, the fuse cover must be refitted. If the fuse cover becomes lost or damaged, the plug must not be used until a suitable replacement is obtained.

If the plug has to be changed because it is not suitable for your socket, or due to damage, it should be cut off and a replacement fitted, following the wiring instructions shown below. The old plug must be disposed of safely, as insertion into a mains socket could cause an electrical hazard.




WARNING! The wires in the power cable of this product are coloured in accordance with the following code:

Blue = Neutral

Brown = Live

Yellow and Green = Earth

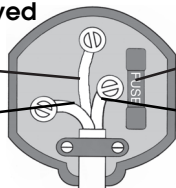
If the colours of the wires in the power cable of this product do not correspond with the terminal markings of your plug, proceed as follows.

- The wire which is coloured Blue must be connected to the terminal which is marked N or coloured Black.
- The wire which is coloured Brown must be connected to the terminal which is marked L or coloured Red.
- The wire which is coloured Yellow and Green must be connected to the terminal which is marked E or  or coloured Green.

Plug must be BS1363/A approved

Earth
(Green and Yellow)

Neutral
(Blue)



Always fit a 13 Amp fuse.

Live
(Brown)

Ensure that the outer sheath of the cable is firmly held by the clamp

We strongly recommend that this machine is connected to the mains supply via a Residual Current Device (RCD).

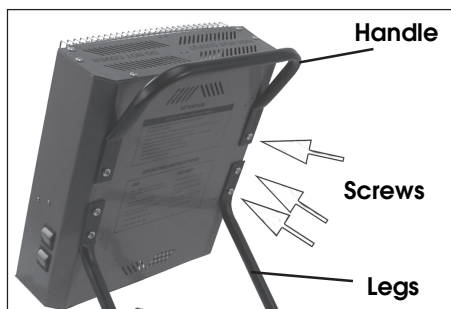
If in doubt, consult a qualified electrician. DO NOT attempt repairs yourself.

UNPACKING AND ASSEMBLY

Before assembling, please check contents against the following list and advise your dealer immediately if any parts are missing.

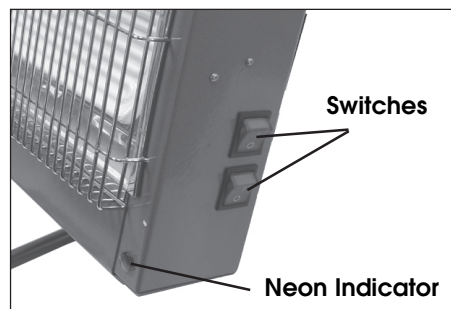
- 1 x Heater
- 2 x Legs
- 1 x Handle
- 6 x Screws (supplied fitted)

1. Remove the screws from their locations in the heater and use them to attach each leg.
2. Repeat with the two remaining screws to fit the handle as shown.
3. DO NOT use the heater without fitting the legs.



INSTRUCTIONS FOR USE

1. Place the heater on a firm, level surface and following all safety precautions, plug into a suitable mains supply. The neon indicator will illuminate.
2. Set one, or both switches to the I (On) position as required.
 - Two power settings are available. Each switch will illuminate to show that the upper or lower heat element is in use.
 - The output of each heating element is 1200 W (4100 BTU).



CAUTION; PLEASE NOTE THAT THE HEATING ELEMENTS OF THIS PRODUCT DO NOT GLOW WHILST IN OPERATION. ANY PICTURES SHOWING THIS IN ADVERTISING MATERIAL ARE FOR ILLUSTRATION ONLY.

NOTE: The heater is equipped with an anti-tilt switch that automatically shuts the power off should the heater tip over. If this happens, simply place the heater in its correct position and it will immediately restart.

Clarke

CLEANING & MAINTENANCE

ALWAYS allow the heater to cool down for at least 15 minutes and disconnect it from the mains supply before performing any maintenance tasks.

PERIODICALLY

1. Inspect the mains cable for damage. Undue heat will cause the cable to stiffen and crack. If this is found, have the cable replaced. Check cable routing and ensure it is well away from the heat source.
2. Should the heater become dirty, disconnect from the mains supply, remove the guard and wipe the reflector and elements with a clean damp cloth. DO NOT use abrasive cleaners. Take care that no moisture enters the heater.
 - Refer to your CLARKE dealer if internal maintenance is required.
 - When storing the heater, allow it to cool down, then place it for storage in a dry, ventilated place.

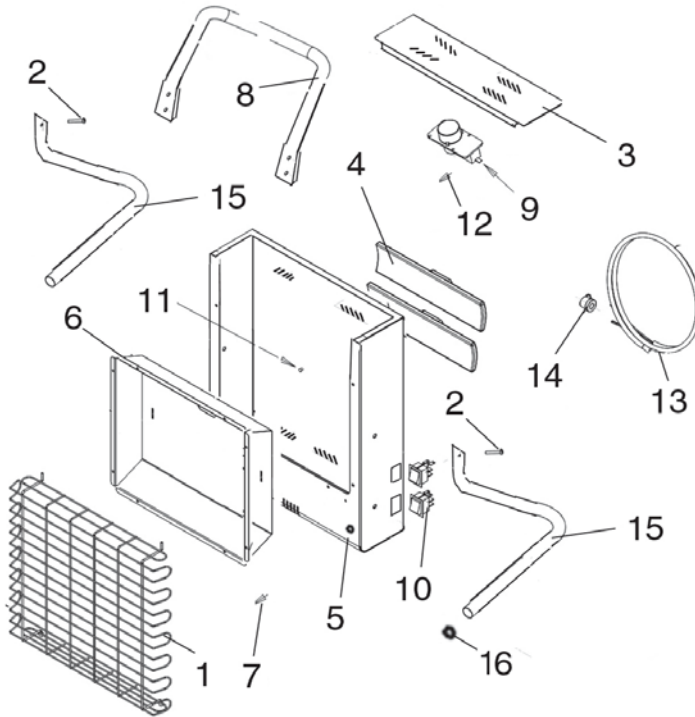
HEAT ELEMENT REPLACEMENT

Ceramic heat elements are long lasting and should not need replacing under normal circumstances. Should this become necessary take the heater to your Clarke dealer.

FAULT FINDING

| Problem | Possible Cause | Remedy |
|-----------------------------------------------------------------------------------------------------------------------------|------------------------------------|-----------------------------------------------------------------------------------------------------------------------------|
| Heater does not operate, although plugged in and switched on. | Plug is loose/bad connection. | Pull the plug out & check the connection of the plug and socket. |
| | Fuse blown | Replace if necessary and investigate cause. If fuse blows repeatedly, consult your CLARKE dealer. |
| | No power at socket outlet. | Insert the plug in a suitable socket. |
| Heating element glowing hot.* *Please note that the image on the carton shows a glow for illustration purposes only. | Input voltage too high or too low. | Use a power supply in accordance with the rating on the label. |
| | Air inlet is partly blocked. | Ensure the heater is kept away from any objects or materials which could partially cover the air inlet or be drawn into it. |

COMPONENT PARTS



| No | Description | Part No |
|----|----------------------|------------|
| 1 | Front Guard | WSDEV35001 |
| 2 | M6x15 Pan Pozi Screw | WSDEV35002 |
| 3 | Top Panel | WSDEV35003 |
| 4 | Heat Element | WSDEV35004 |
| 5 | Neon Indicator | WSDEV35005 |
| 6 | Reflector Panel | WSDEV35006 |
| 7 | No10x1/2" Pan Pozi | WSDEV35007 |
| 8 | Handle | WSDEV35008 |

| No | Description | Part No |
|----|--------------------|------------|
| 9 | Tip-over Switch | WSDEV35009 |
| 10 | ON/OFF Switch | WSDEV35010 |
| 11 | Casing | WSDEV35011 |
| 12 | S/t Screw-small | WSDEV35012 |
| 13 | Power Cable & Plug | WSDEV35013 |
| 14 | Cable Clamp | WSDEV35014 |
| 15 | Leg | WSDEV35015 |
| 16 | End Plug | WSDEV35016 |

TECHNICAL SPECIFICATION

| | |
|------------------------|---------------------|
| Part No | 6920262 |
| Weight | 5.45 kg |
| Dimensions (L x W x H) | 375 x 370 x 560 mm |
| Max. Heat Output | 1200/2400 W |
| Rated Input Current | 10.5 A |
| Supply Voltage | 230v / 50 Hz / 1 ph |
| Fuse rating | 13 A |
| Insulation Class | IP20 |

Please note that the details and specifications contained herein, are correct at the time of going to print. However, CLARKE International reserve the right to change specifications at any time without prior notice.

A selection of suitable extension leads & plugs is available from your nearest CLARKE dealer, for further information, contact your nearest dealer, or telephone CLARKE International Sales department on 01992 565300.

DECLARATION OF CONFORMITY



Clarke[®]
INTERNATIONAL

Hemnal Street, Epping, Essex CM16 4LG

DECLARATION OF CONFORMITY

This is an important document and should be retained.

We hereby declare that this product(s) complies with the following directive(s):

2004/108/EC Electromagnetic Compatibility Directive.

2006/95/EC Low Voltage Equipment Directive.

2002/95/EC Restriction of Hazardous substances.

The following standards have been applied to the product(s):

EN 60335-1:2002+A11:2004+A1:2004+A12:2006+A2:2006+A13:2008,

EN 60335-2-30:2003+A1:2004+A2:2007, EN 62233:2008, EN 55014-1:2006,

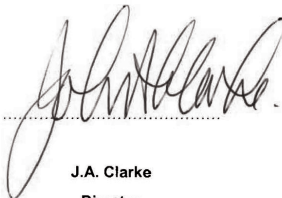
EN 55014-2:1997+A1:2001, EN 61000-3-3:1995+A1:2001+A2:2005, EN 61000-3-2:2006

The technical documentation required to demonstrate that the product(s) meet(s) the requirement(s) of the aforementioned directive(s) has been compiled and is available for inspection by the relevant enforcement authorities.

The CE mark was first applied in: 2010

Product Description: 2.4kw Ceramic Heater
Model number(s): Devil 350
Serial / batch Number: N/A
Date of Issue: 08/06/2011

Signed:



J.A. Clarke
Director

A SELECTION FROM THE VAST RANGE OF

Clarke®

QUALITY PRODUCTS

AIR COMPRESSORS

From DIY to industrial, Plus air tools, spray guns and accessories.

GENERATORS

Prime duty or emergency standby for business, home and leisure.

POWER WASHERS

Hot and cold, electric and engine driven - we have what you need

WELDERS

Mig, Arc, Tig and Spot. From DIY to auto/industrial.

METALWORKING

Drills, grinders and saws for DIY and professional use.

WOODWORKING

Saws, sanders, lathes, mortisers and dust extraction.

HYDRAULICS

Cranes, body repair kits, transmission jacks for all types of workshop use.

WATER PUMPS

Submersible, electric and engine driven for DIY, agriculture and industry.

POWER TOOLS

Angle grinders, cordless drill sets, saws and sanders.

STARTERS/CHARGERS

All sizes for car and commercial use.



PARTS & SERVICE: 020 8988 7400

E-mail: Parts@clarkeinternational.com or Service@clarkeinternational.com

SALES: UK 01992 565333 or Export 00 44 (0)1992 565335

Clarke INTERNATIONAL Hemnall Street, Epping, Essex CM16 4LG
www.clarkeinternational.com