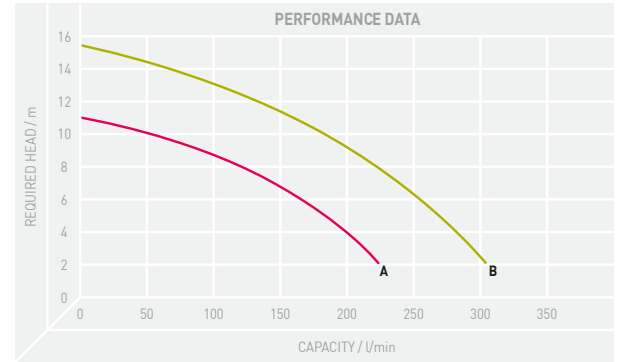


Submersible Dewatering Pump

Features:

- Cast Iron Construction
- Double mechanical seal within oil bath
- Auto-coupling available



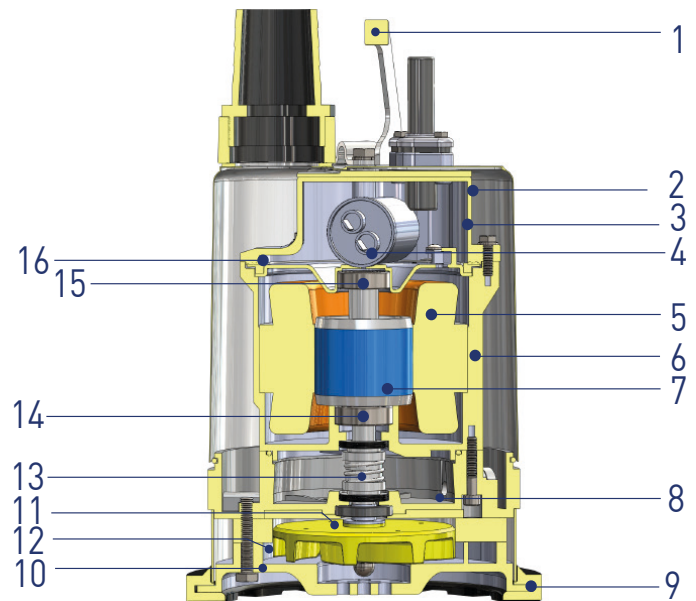
TECHNICAL SPECIFICATION

PUMP TYPE	PRODUCT CODE	CURVE	OUTPUT		DISCHARGE		RATED		MAXIMUM		FREE PASSAGE mm	CABLE	WEIGHT KG
			AMP	kW	mm	Inch	Head M	Capacity LPM	HEAD M	CAPACITY LPM			
*PAL400 110V	PH/PAL400/110V	/A	6	0.4	50	2"	8	120	11	225	6	10	12
*PAL400 230V	PH/PAL400/230V	/A	3	0.4	50	2"	8	120	11	225	6	10	12
PAL750 110V	PH/PAL750/110V	/B	11	0.75	50	2"	10	190	15.8	300	6	10	15
PAL750 230V	PH/PAL750/230V	/B	5.4	0.75	50	2"	10	190	15.8	300	6	10	15

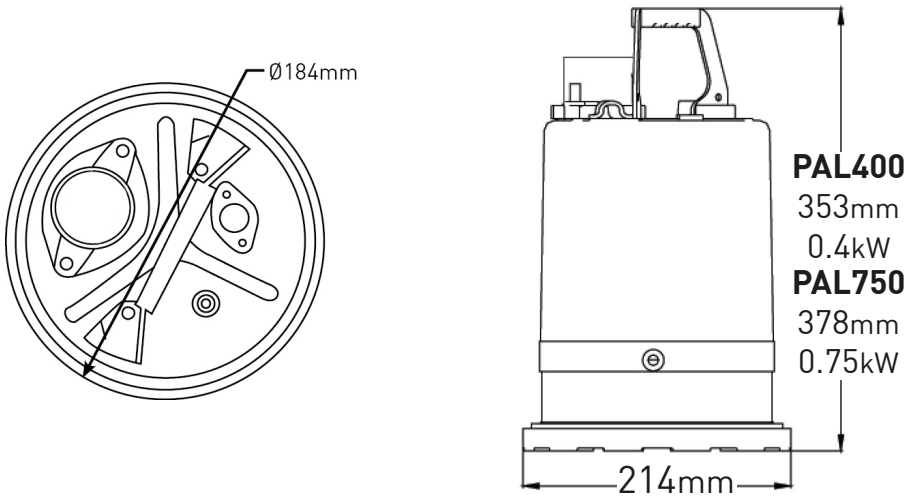
PARTS AND MATERIAL LISTS

PARTS & MATERIAL LIST		
NUMBER	PART	MATERIAL
1	HANDLE	SS400
2	MOTOR HEAD COVER	ADC12
3	OUTER COVER	SUS304
4	CAPACITOR	
5	STATOR	
6	MOTOR HOUSING	ADC12
7	SHAFT & ROTAR	SUS410
8	OIL CHAMBER	ADC12
9	PUMP BASE	NBR
10	PUMP HOUSING	FC20
11	IMPELLER	TPU 1/2HP
		HYTREL 1HP
12	PACKING	NBR
13	MECHANICAL SEAL	SIC/SIC
14	LOWER BEARING	
15	UPPER BEARING	
16	MOTOR BRACKET	SS400

PUDDLEPAL® PARTS



DIMENSIONAL DRAWINGS



CONVERSION KIT

Why not try our pump Conversion Kit?

Unique inter-changeable design, allowing the Liberator 400/750 to be converted to a PuddlePal and vice-versa.



How to Videos

Check out our how to video at www.ttpumps.com/how-to to find out more!