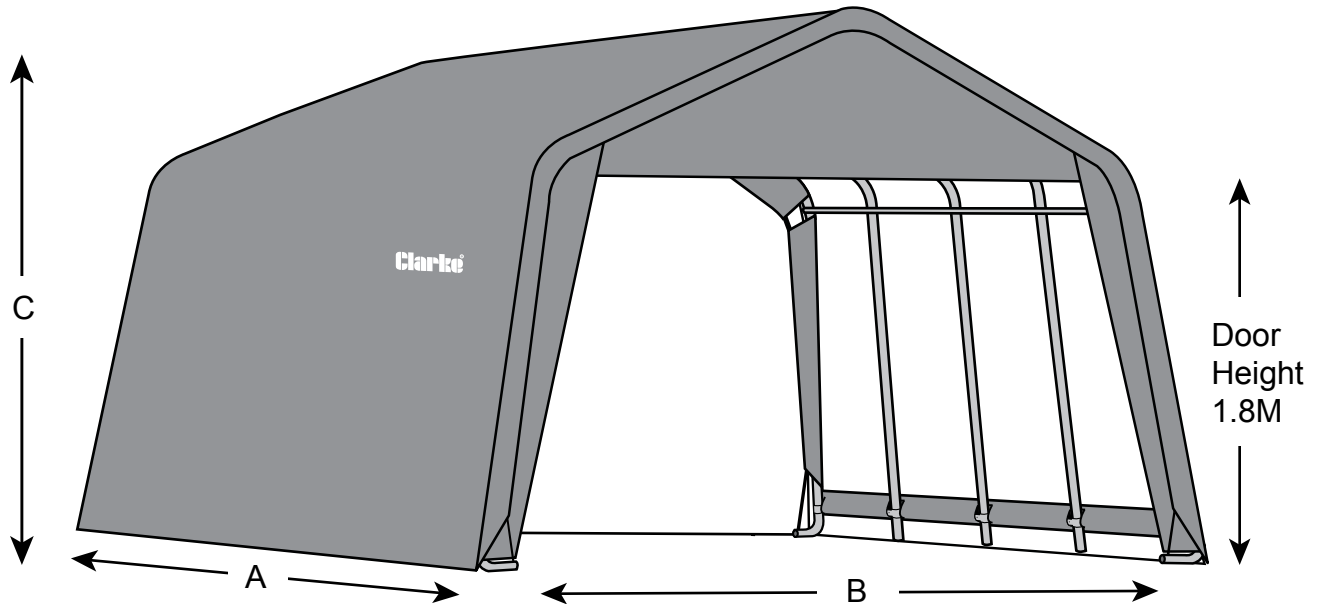


Instant Garage 16' x 12' 3" x 8' 6"

Assembly Instructions



	DESCRIPTION			MODEL #
	A	B	C	
Instant Garage	4.9 x 16'	3.7 x 12' 3"	2.6 M x 8' 6"	CIG 1216 3503500

RECOMMENDED TOOLS



Please read instructions **COMPLETELY** before assembly. This shelter **MUST** be securely anchored.

Before you start: 2 or more individuals recommended for assembly, approximate time 2 hours.

Clarke®

Clarke International
Hemnal Street
Epping
Essex CM16 4LG
ENGLAND
www.clarkeinternational.com

PARTS & SERVICE: 0208 988 7400

E-mail: Parts@clarkeinternational.com or
Service@clarkeinternational.com

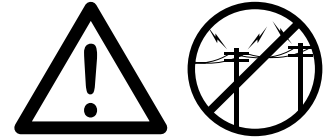
SALES: UK 01992 565333 or
EXPORT: 00 44 (0)1992 565335

ATTENTION:

This shelter product is manufactured with quality materials. It is designed to fit the garage custom fabric cover included. Please anchor the shed carefully following the instructions in the manual. Proper anchoring, keeping cover tight and free of snow and debris is the responsibility of the consumer. Please read and understand the installation detail, warnings and cautions prior to beginning installation.

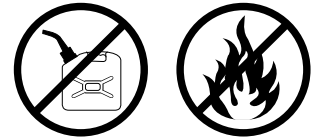
DANGER:

Choose the location of your garage carefully. **DANGER: Keep away from electrical wires.** Check for overhead utility lines, tree branches or other structures. Check for underground pipes or wires before you dig. DO NOT install near roof lines or other structures that could shed snow, ice or excessive run off onto your shelter. DO NOT hang objects from the roof or support cables.



WARNING:

Risk of fire. DO NOT smoke or use open flame devices (including grills, fire pits, deep fryers, smokers or lanterns) in or around the garage. DO NOT store flammable liquids (gasoline, kerosene, propane, etc.) in or around your shelter. Do not expose top or sides of the shelter to open fire or other flame source.



CAUTION:

Use CAUTION when erecting the frame.

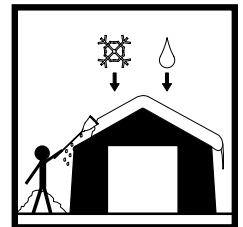
PROPER ANCHORING AND INSTALLATION OF FRAME:

PROPER ANCHORING OF THE FRAME IS THE RESPONSIBILITY OF THE CONSUMER.

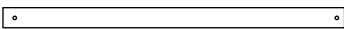
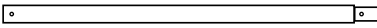
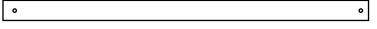

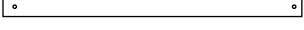

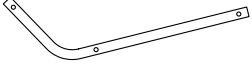
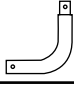


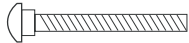






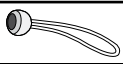




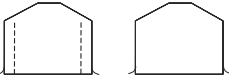
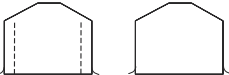

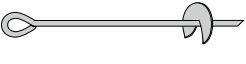

Clarke® International is not responsible for damage to the unit or the contents from acts of nature. Any garage that is not anchored securely has the potential to fly away causing damage. Periodically check the anchors to ensure stability of the garage. Clarke® International cannot be responsible for any shelter that blows away. **NOTE:** *Your shelter's cover can be quickly removed and stored prior to severe weather conditions.* If strong winds or severe weather is forecast in your area, we recommend removal of cover.

CARE AND CLEANING:

A tight cover ensures longer life and performance. Always maintain a tight cover. Loose fabric can accelerate deterioration of cover fabric. Immediately remove any accumulated snow or ice from the roof structure with a broom, mop or other soft-sided instrument. Use extreme caution when removing snow from cover- always remove from outside the structure. DO NOT use hard-edged tools or instruments like rakes or shovels to remove snow. This could result in punctures to the cover. DO NOT use bleach or harsh abrasive products to clean the fabric cover. Cover is easily cleaned with mild soap and water.



Instant Garage 16' x 12'3" x 8'6" - Parts List - Model # CIG 1216 3503500

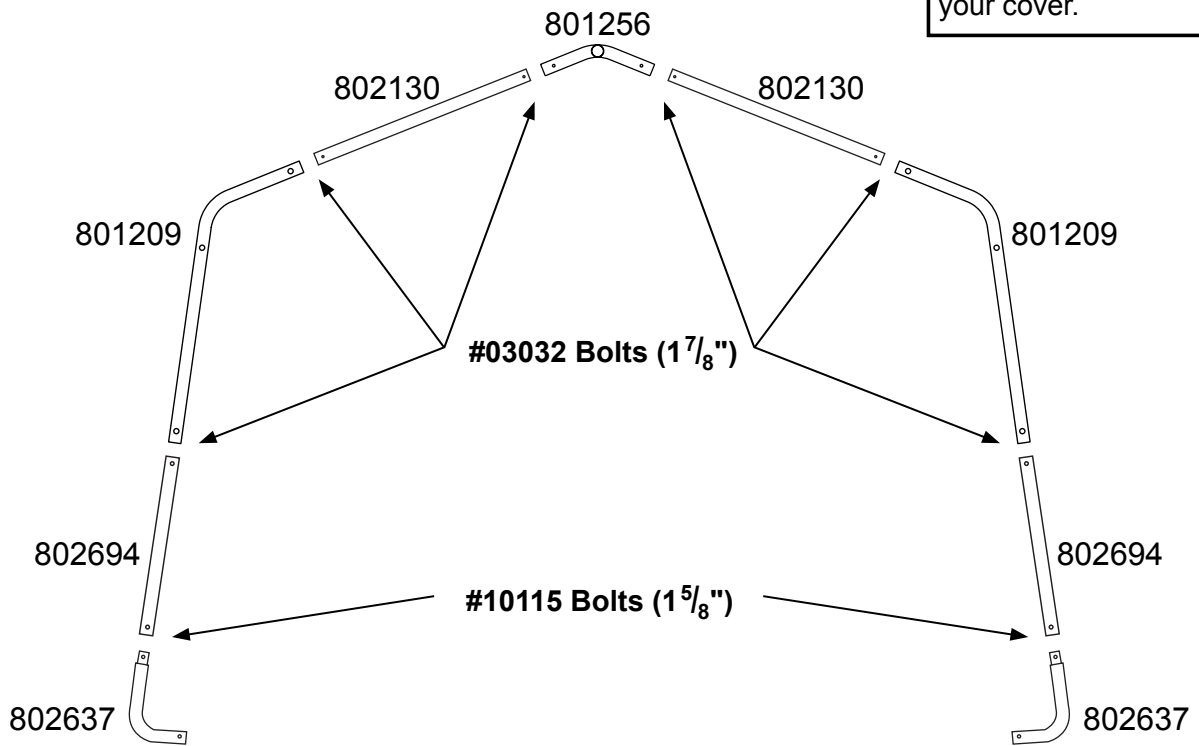
Description of Parts:		Quantity	Part #	
	Top Cross Rail	45 ³ / ₈ in. / 115,3 cm	4	801258
	Side Cross Rails, Swedge	49 ³ / ₄ in. / 126,4 cm	6	802129
	Rafter / Cross Rail	48 ¹ / ₂ in. / 123,2 cm	12	802130
	Middle Leg Pipe	49 ⁵ / ₈ in. / 126,1 cm	6	802693
	Corner Leg Pipe	39 ¹ / ₂ in. / 100,3 cm	4	802694
	Cover Rails	46 ¹ / ₈ in. / 117,2 cm	8	802695
	Side Bends		10	801209
	Corner Leg Bends		4	802637
	3-Way Top Connectors		2	801256
	4-Way Top Connector		3	801257
	Bolts	¹ / ₄ x ¹⁵ / ₈ in. / 6,4 x 41,3 mm	26	10115
	Bolts	¹ / ₄ x ¹⁷ / ₈ in. / 6,4 x 47,6 mm	48	03032
	Bolts	¹ / ₄ x 2 in. / 6,4 x 50,8 mm	10	10114
	Steel Foot Plate		6	12270
	Shelter Stabiliser		10	800938
	Washer	¹ / ₄ in. / 6,4 mm	16	01011
	Nut	¹ / ₄ in. / 6,4 mm	84	01010
	White Bungee Cords <i>(For holding door open)</i>		2	10066
	Ratchet Clamp		8	10240
	Half-Clamps for Middle Legs		12	13201
	Half-Clamps for Corner Legs		8	13202
	Cover		1	803079
	2-Zipper Door Panel		1	803081
	Back Panel		1	803080
	15 in. Anchors		4	10014
	Cable - 1 ft. Length		4	10015
	Cable Clamps		4	10016
				} 00847

NOTE: 15 inch anchors are available from our spare parts department. Please quote Part No. 10014

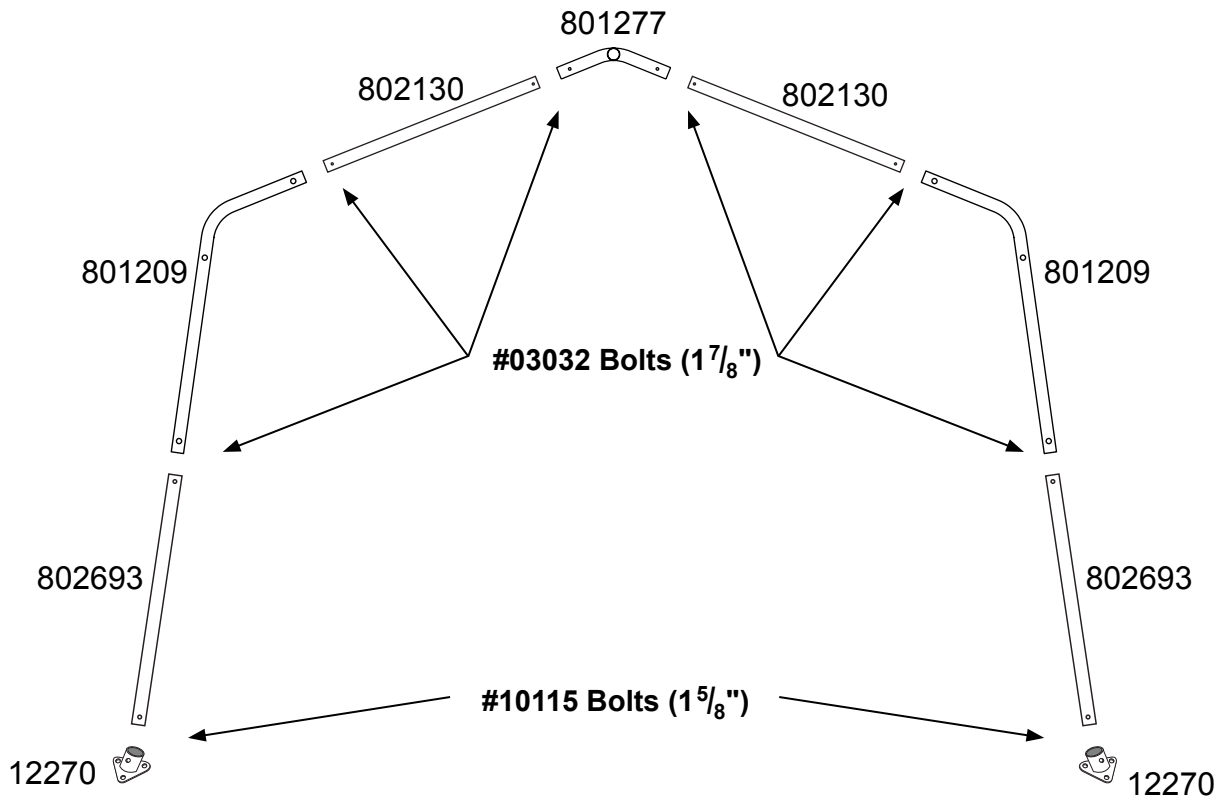
1. ASSEMBLE 2 END RIBS

Secure connections using Bolts as shown with #01010 Nuts.

NOTE: The bolt heads at the end ribs must be facing outward to avoid damaging your cover.



2. ASSEMBLE 3 MIDDLE RIBS

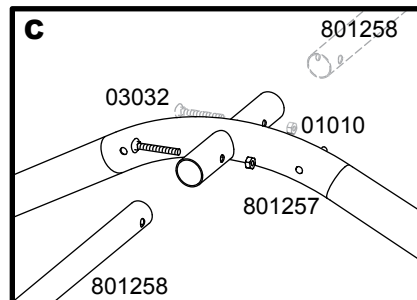
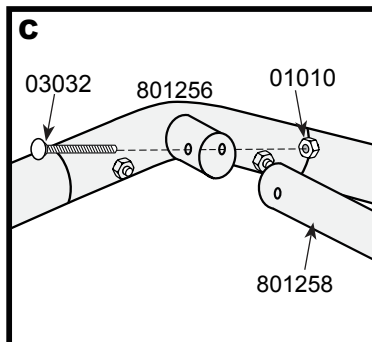
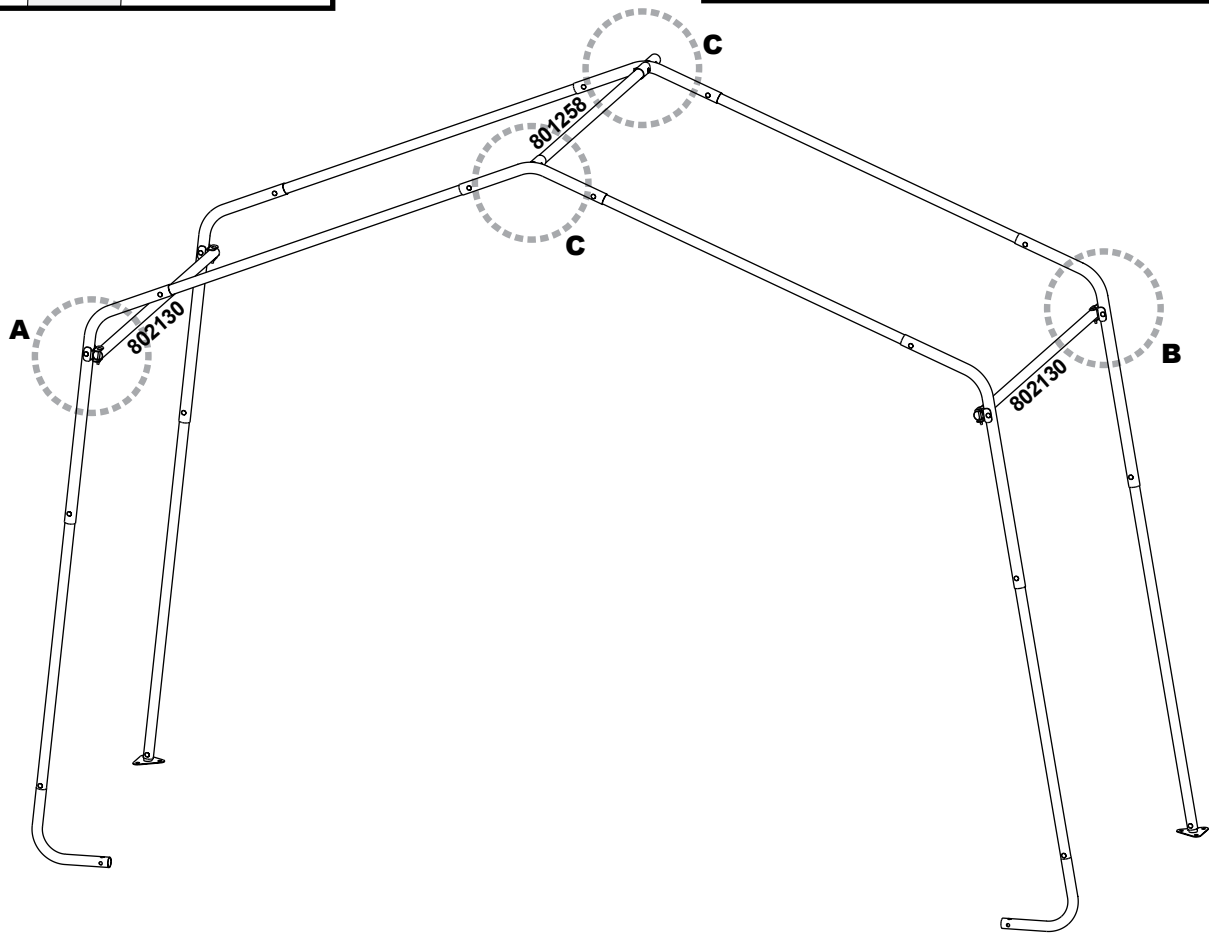
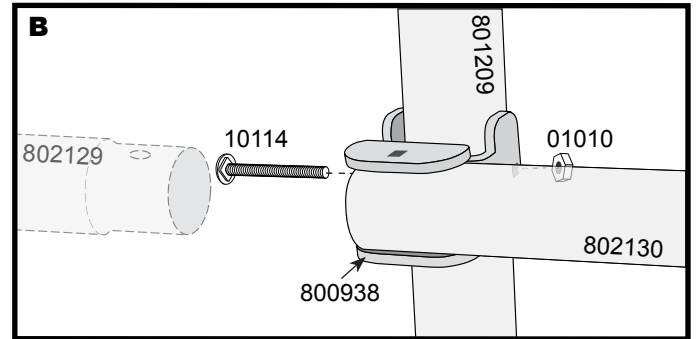
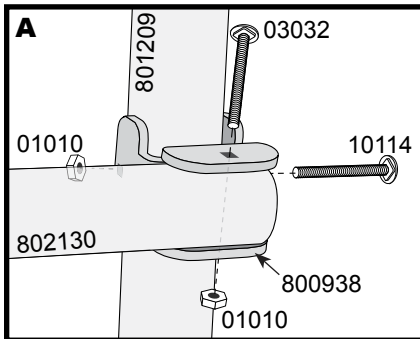


3. CONNECT FRONT END RIB TO A MIDDLE RIB

A. Connect 2 Side Cross Rails (802129) at front end rib with Shelter Stabiliser (800938) as shown.

B. Connect Side Cross Rails at middle rib with Shelter Stabiliser as shown. Leave open for next rib connection.

C. Use Top Cross Rail (801258) to connect ribs at the top.

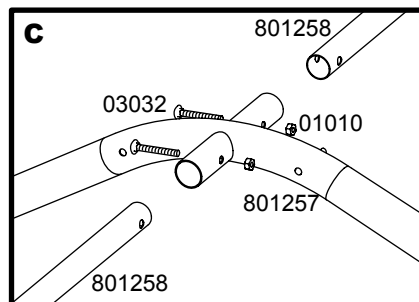
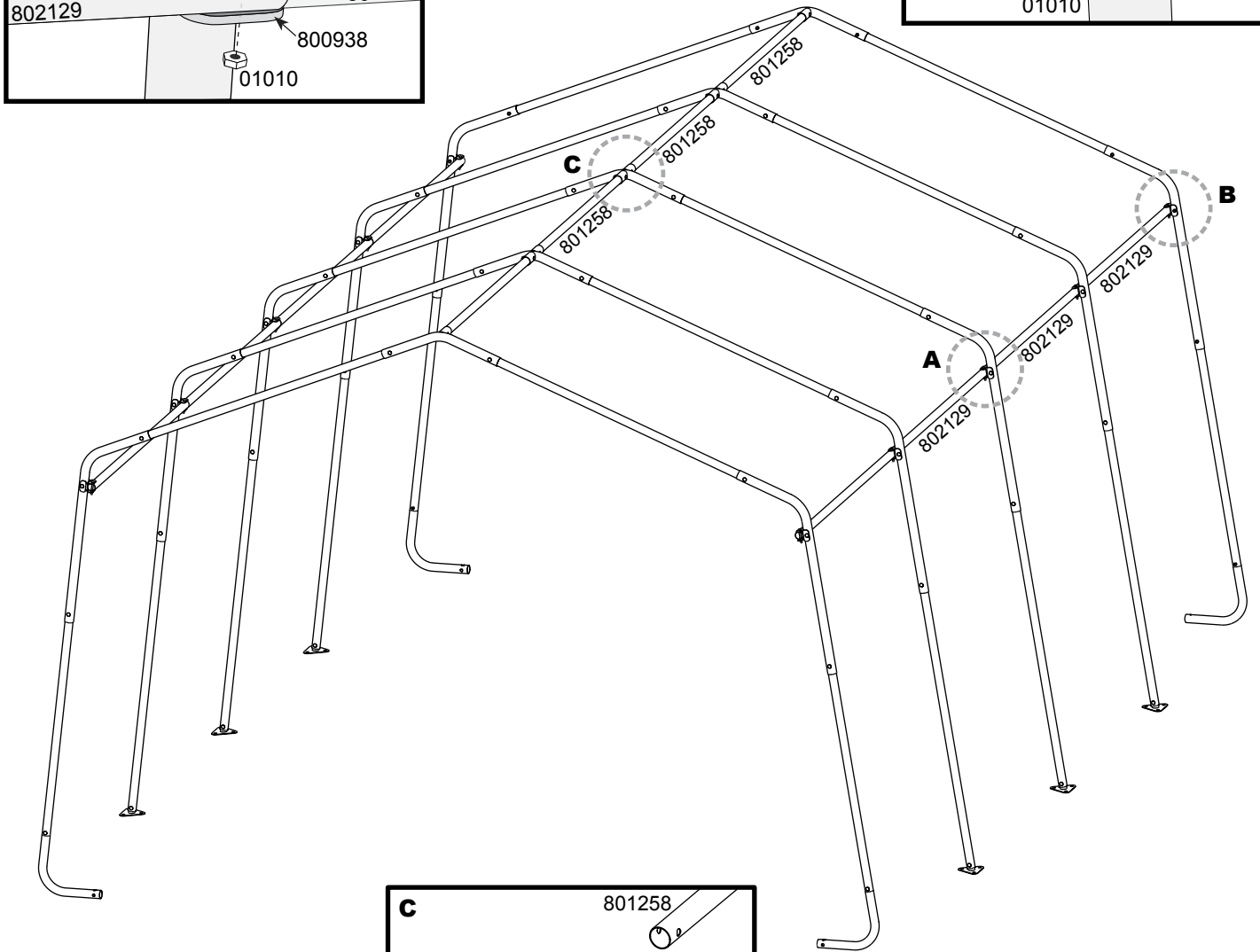
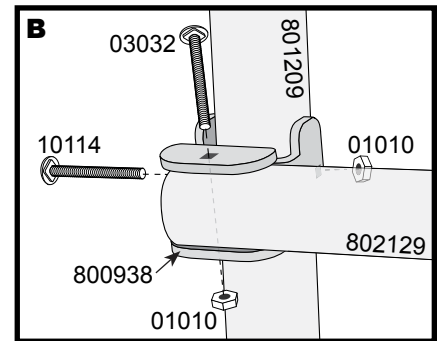
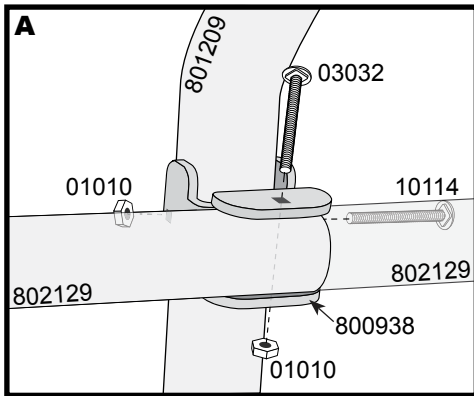


4. CONNECT REMAINING RIBS

A. Use #802130 Side Cross Rails and Shelter Stabiliser (800938) to connect middle ribs as shown.

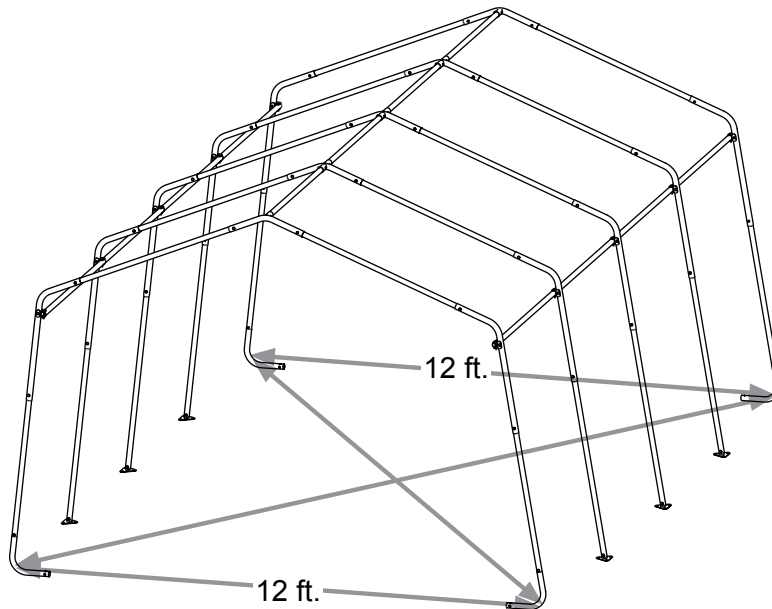
B. Use #802129 Side Cross Rails and Shelter Stabiliser to connect rear end rib.

C. Use Top Cross Rail (801258) to connect ribs at the top.



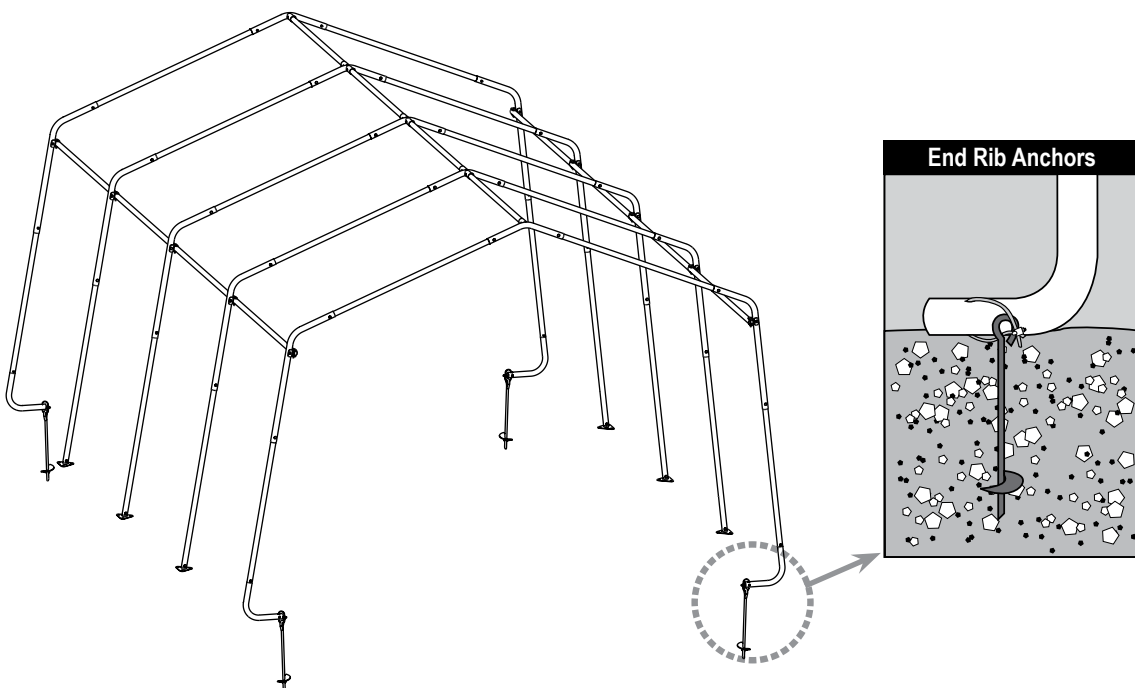
5. SQUARING UP THE FRAME

- A. Place frame in its final location, which needs to be as flat and level as possible.
- B. Measure across opposite corners. **These distances must be equal to within 1 inch.**
- C. Check that the front and rear of the frame measures 12 feet in width



6. PROPERLY ANCHOR THE FRAME

- A. Anchors must be placed inside shelter at the corners of the shelter.
- B. Insert a $\frac{3}{4}$ inch pipe or steel rod, through the eyelet of the auger and screw the anchor into the ground until the eyelet is sticking out of the ground by 1 to 2 inches so it can be anchored to the legs.
*If ground is too hard, dig a hole with a shovel or post hole tool. **Optional:** Fill with cement.*
- C. Wrap cable provided through the eyelet of the anchor and around the frame as shown below. Secure the cable with the clamps provided.

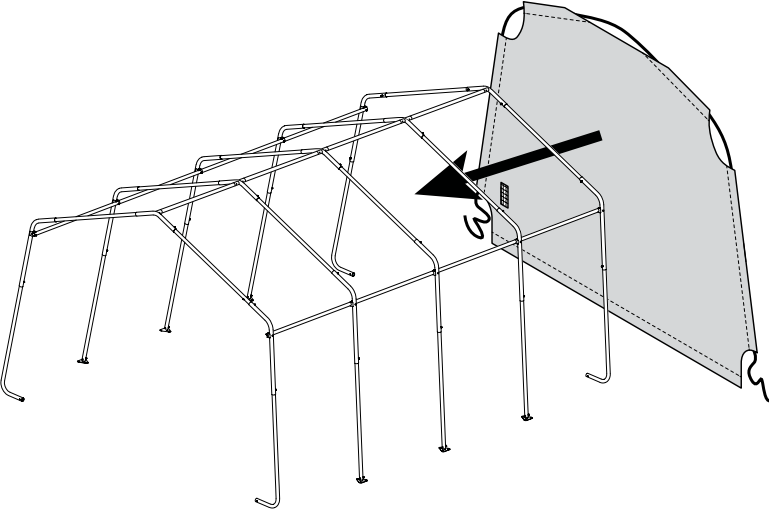


WARNING:
Serious injury to persons or property could result if cover is installed and shelter is not anchored and is left unattended. Shelter must be securely anchored before use.

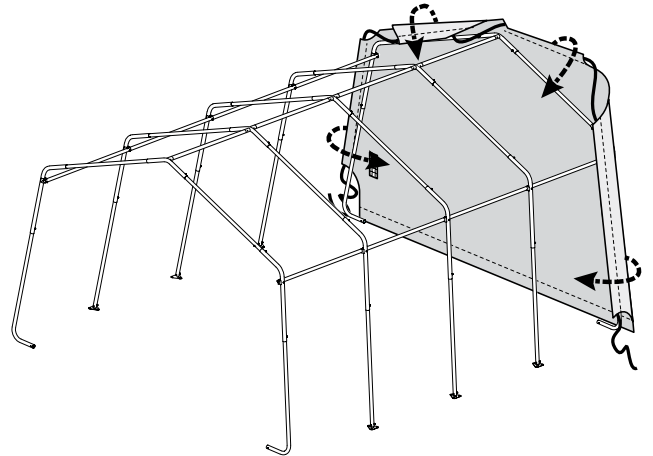
7. DOOR PANEL AND BACK PANEL INSTALLATION

A. (1) Hold end panel at the top center with white inner surface facing inside of the shelter. (2) Wrap the edges of the fabric panel around the end rib and line up the cross rails with the pre made slits in the fabric.

A1

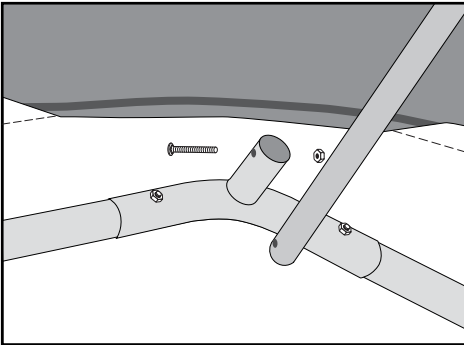


A2

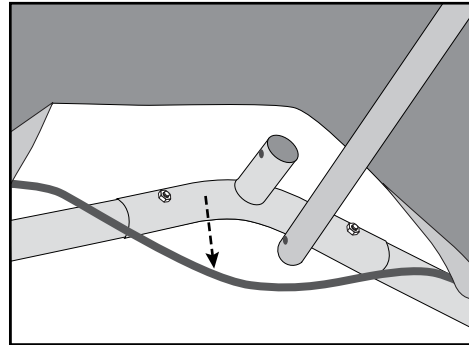


B. (1) Disconnect top cross rail (the horizontal pipe that runs from front to back along the top) from the end rib. (2) Pull the end panel over the end rib and bring the end of the cross rail through the cut slit in the panel. (3) Reattach the top cross rail to the end rib.

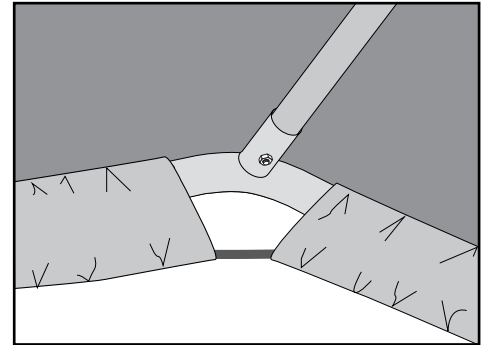
B1



B2

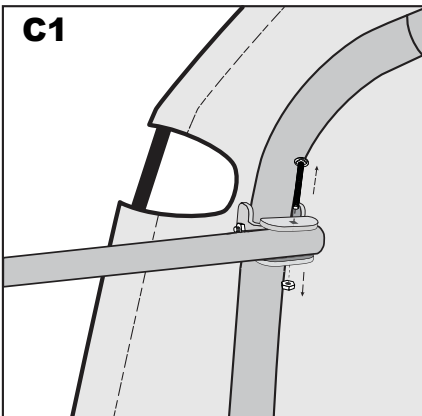


B3

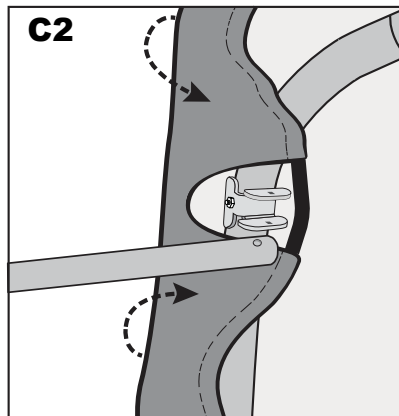


C. (1) Disconnect side cross rail from the end rib. Leave the Shelter Stabiliser attached to the rib with the bolt. (2) Pull the end panel over the end rib and bring the end of the cross rail through the cut slit in the panel. (3) Reattach the side cross rail to the end rib.

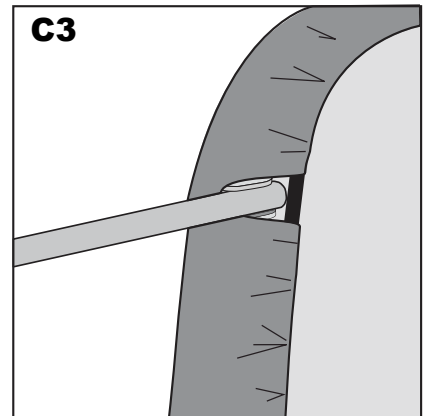
C1



C2

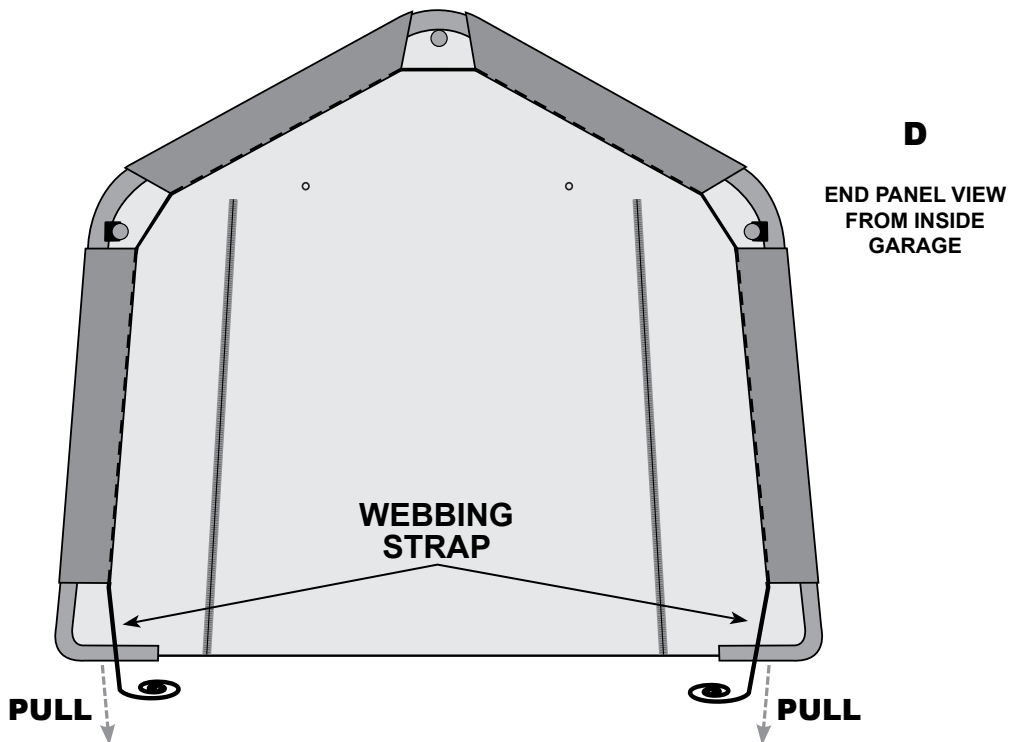


C3

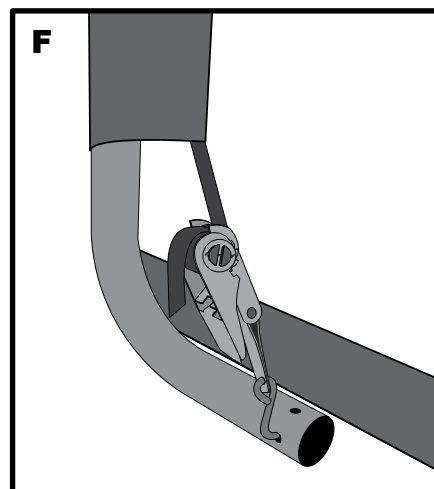
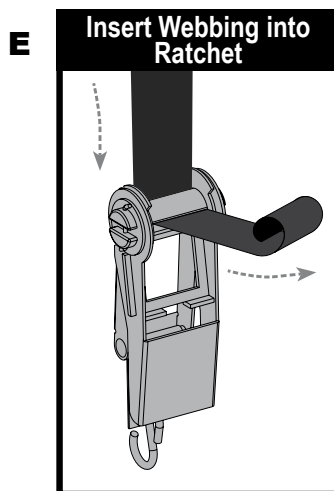


7. END PANEL INSTALLATION - continued

- D. At the bottom, where the webbing exits the pocket on each side of end panel, pull webbing as you would a drawstring to remove the slack. **Be careful not to pull the webbing strap out of the webbing pocket.**



- E. Insert the “S”- Hook on ratchet into hole on the leg bend. Insert the webbing into the spindle of the ratchet and pull tight. Wind the ratchet so that the webbing overlaps itself. *Position the end panel so that it is centered on the building before fully tightening the end panel.*
- F. Tighten ratchets, alternating from one side to the other, until the end panel is tight. **NOTE: Keep zips fastened when tightening door panel.**



8. INSTALLING COVER AND COVER RAILS

- A. Lay the cover on the ground next to the frame with inside of the cover (the side with the pipe pockets) facing down and the webbing on the front and rear of the corner of the building.
- B. Pull cover over the frame, making sure to center cover on frame. There should be an equal amount of overhang at all four corners.
- C. Insert the "S"- Hook on ratchet into hole on the leg bend. Insert the webbing into the spindle of the ratchet and pull tight. Wind the ratchet so that the webbing overlaps itself.
- D. Disassemble cover rails and slide through fabric pockets at each leg and reattach with clamps to each leg. Repeat this on other side. Push down on cover rails to tighten cover, before tightening bolts completely.
- E. Check and tighten Ratchets and Cover Rails monthly to ensure the cover is tight.

NOTE: The *Clarke*® logo should be oriented as shown below.

