

CLAMPBRO®

STRONG-ARM



3-TONNE GARAGE JACK

MODEL NO: CTJ3000GB

PART NO: 7623032

OPERATION & MAINTENANCE INSTRUCTIONS



ORIGINAL INSTRUCTIONS

GC1216

INTRODUCTION

Thank you for purchasing this CLARKE Garage Jack.

Before attempting to use this product, please read this manual thoroughly and follow the instructions carefully. In doing so you will ensure the safety of yourself and that of others around you, and you can look forward to your purchase giving you long and satisfactory service.

GUARANTEE

This product is guaranteed against faulty manufacture for a period of 12 months from the date of purchase. Please keep your receipt which will be required as proof of purchase.

This guarantee is invalid if the product is found to have been abused or tampered with in any way, or not used for the purpose for which it was intended.

Faulty goods should be returned to their place of purchase, no product can be returned to us without prior permission.

This guarantee does not effect your statutory rights.

SPECIFICATIONS

	CTJ3000GB
Part number	7623032
Length (not including handle):	572 mm
Width	328 mm
Height	175 mm
Height of saddle from floor (minimum)	130 mm
Height of saddle from floor (maximum)	465 mm
Weight	28.3 kg
Rated Load	3 tonne

SAFETY PRECAUTIONS



WARNING: THE OPERATOR MUST FOLLOW ALL INSTRUCTIONS WITHIN THIS INSTRUCTION BOOKLET

1. This jack is for lifting only, do not move a load using the jack as a dolly.
2. Do not use to lift people.
3. Always inspect the jack before use. Make sure that all parts are in good condition and operating smoothly, and that no cracks or distortion is apparent. If in doubt do not use. Have the damaged parts replaced or consult your CLARKE dealer.
- 4. Make sure that the jack is on a firm, solid, level base, and that there is no possibility of it slipping when under load.**
5. Make sure the load is taken by the full saddle and that the point of lift on the load, is strong enough to support the load adequately.
- 6. Do not work under the raised vehicle until it is supported by suitable means e.g. axle stands, NEVER rely on the jack to support the vehicle by itself.**
7. Never push a load off the jack.
8. Ensure that all personnel are well clear of a load being raised or lowered.
9. Do not try to lift more than the rated load for the jack, (See "Specifications" on page 3.)
10. Do not use the jack if an oil leak is apparent. Consult your Clarke dealer.
11. Consult the vehicle handbook to determine the correct lifting points.
12. It is necessary that the operator watch the jack and the load during operation.
13. Check the condition of the labels regularly and replace as required.
14. The jack must be maintained and repaired in accordance with these instructions and such work be carried out by qualified persons.
15. Do not make any adjustments to any valves on the jack.

UNPACKING AND ASSEMBLY

1. Remove the retaining clip by pressing the handle yoke downwards and pulling the clip away.

2. Loosen the thumb screw in the yoke until the lower handle can be inserted fully into the handle socket.

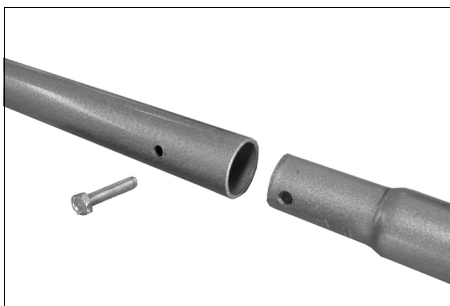
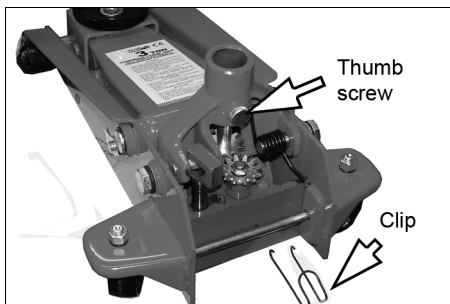
- The lower handle has a groove which should engage with the thumb screw once it is re-tightened.

- The socket in the handle will engage with the jack control valve at the base of the yoke.

3. Tighten the thumb screw to secure the lower handle to the jack.

4. Add the upper handle by sliding it onto the lower handle and secure with the bolt provided.

5. Place the protective rubber pad onto the saddle.

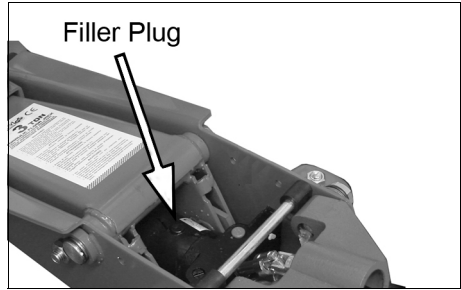


PURGING AIR FROM THE SYSTEM

If air bubbles become trapped inside the hydraulic system during shipping or transport, the efficiency of the jack will be reduced and the jack will feel spongy.

1. Turn the control handle counter-clockwise, relieving the pressure inside the jack.
2. Pump the handle several times to purge air from the system, while pressing down on the filler plug when the air is expelled.
3. Turn the control handle clockwise and test the jack. If efficiency is still poor, check the oil level as described under Maintenance.

The jack is now ready to use.



OPERATION

Before use, inspect the jack for oil leaks or any other sign of damage. Should any be apparent, have the jack repaired by a qualified technician.



WARNING: NEVER WORK ON THE VEHICLE WHEN SUPPORTED ONLY BY A JACK. THIS IS HIGHLY DANGEROUS. THE VEHICLE MUST BE SUPPORTED ON AXLE STANDS OR SUITABLE SUPPORTS, BENEATH THE CORRECT JACKING/SUPPORT POINTS.

1. Ensure the vehicle to be raised is stable and on firm level ground with the wheels chocked.
2. Position the jack so that the saddle is directly beneath the lifting point.
 - Consult the vehicle handbook to determine suitable lifting points.
3. Twist the handle clockwise to close the control valve.
4. Pump the handle to raise the saddle until it reaches the jacking point.

Make sure that the saddle is in full contact with the lifting point and that there is nothing that will prevent a clean lift. Keep all personnel at a safe distance before lifting the vehicle.

5. Position axle stands directly beneath suitable supporting points on the vehicle and very gently twist the handle anti-clockwise.
6. This will open the control valve to lower the load onto the stands.
 - Make sure that the axle stands are in good condition and that they can hold the load.

7. Ensure that the axle stands cannot move when supporting the load and are on firm, level ground. Use suitable wheel chocks to stop the vehicle from moving.

NOTE: The jack may move slightly during operation. It is important therefore, that the floor is clean and completely free from debris.

8. To stop it lowering at any point, turn the handle clockwise again. Always avoid a rapid descent by turning the handle slowly.
9. Carefully lower the vehicle onto the axle stand, checking constantly, preferably with an assistant, that the vehicles jacking point rests snugly and cleanly on the axle stand, and that the stand is stable before the weight is taken.

NOTE: Ensure this operation is carried out under complete control. DO NOT allow the load to drop suddenly as this could damage internal parts.

Completely remove the jack from the vehicle.

MAINTENANCE

GENERAL CARE

1. When the jack is not in use, keep the ram fully lowered and the release valve closed.
2. Keep the jack clean and occasionally apply lubricating oil to all pivot points, front wheels & rear castors.
3. Periodically check the oil level as follows.
4. Check the pump piston and piston rod periodically for signs of corrosion. Clean exposed areas with a clean oiled cloth.
5. In the event of damage or broken components, replacements are available from Clarke Parts & Service.

CHECKING /MAINTAINING THE OIL LEVEL

If the jack has been stored for long periods, check for oil leaks before use. If necessary, check the oil level as follows:

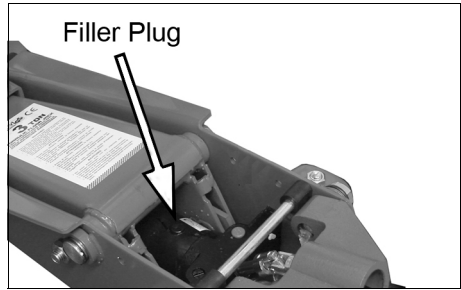
1. Ensure the jack is fully lowered by turning the control valve fully anti-clockwise.

2. Remove the filler plug.

- The oil should be almost level with the bottom of the oil filler hole.
- Oil can be topped up using Clarke Hydraulic Oil (p/n 3050830 1 litre).

3. Purge any air from the system and replace the filler plug.

4. Dispose of old/spilled oil appropriately and wipe up any spillage.



STORAGE

1. Store in a dry place with the ram fully lowered. If stored for long periods, inspect at least once a year, clean and re-oil. For servicing, contact your CLARKE dealer, or CLARKE International Service Department.

ENVIRONMENTAL PROTECTION

One of the most damaging sources of environmental pollution is oil products. Never throw away used hydraulic oil with domestic refuse or flush it down a sink or drain. Collect any hydraulic oil in a leak proof container and take it to your local waste disposal site.

If disposing of this product or any damaged components, do not dispose of with general waste. This product contains valuable raw materials and should be taken to your local civic amenity site for recycling of metal products.

TROUBLESHOOTING

	CAUSE	SOLUTION
Jack will not lift the rated load	Low oil level	See 'Checking the Oil Level' on page 7
	Release valve not closed	Turn the release knob fully clockwise
	Air in the hydraulic system	Purge the system as on page 6
Jack lower when under load	Release valve not fully closed	Turn the release knob fully clockwise
	Air in the hydraulic system	Purge the system as on page 6
Pump feels Spongy	Low oil level	See 'Checking the Oil Level' on page 7
	Air in the hydraulic system	Purge the system as on page 6
Handle raises or flies back under load	Air in the hydraulic system	Purge the system as on page 6
Jack will not lift full height	Low oil level	See 'Checking the Oil Level' on page 7
	Air in the hydraulic system	Purge the system as on page 6
Jack will not lower completely	Return spring may be faulty	Return to your Clarke dealer for repair

If any of these remedies fail to restore your jack, consult your Clarke dealer.

DECLARATION OF CONFORMITY



Clarke[®]
INTERNATIONAL

Hemnall Street, Epping, Essex CM16 4LG

DECLARATION OF CONFORMITY

This is an important document and should be retained.

We hereby declare that this product(s) complies with the following directive(s):

2006/42/EC Machinery Directive.

The following standards have been applied to the product(s):

EN 1494:2000+A1:2008

The technical documentation required to demonstrate that the product(s) meet(s) the requirement(s) of the aforementioned directive(s) has been compiled and is available for inspection by the relevant enforcement authorities.

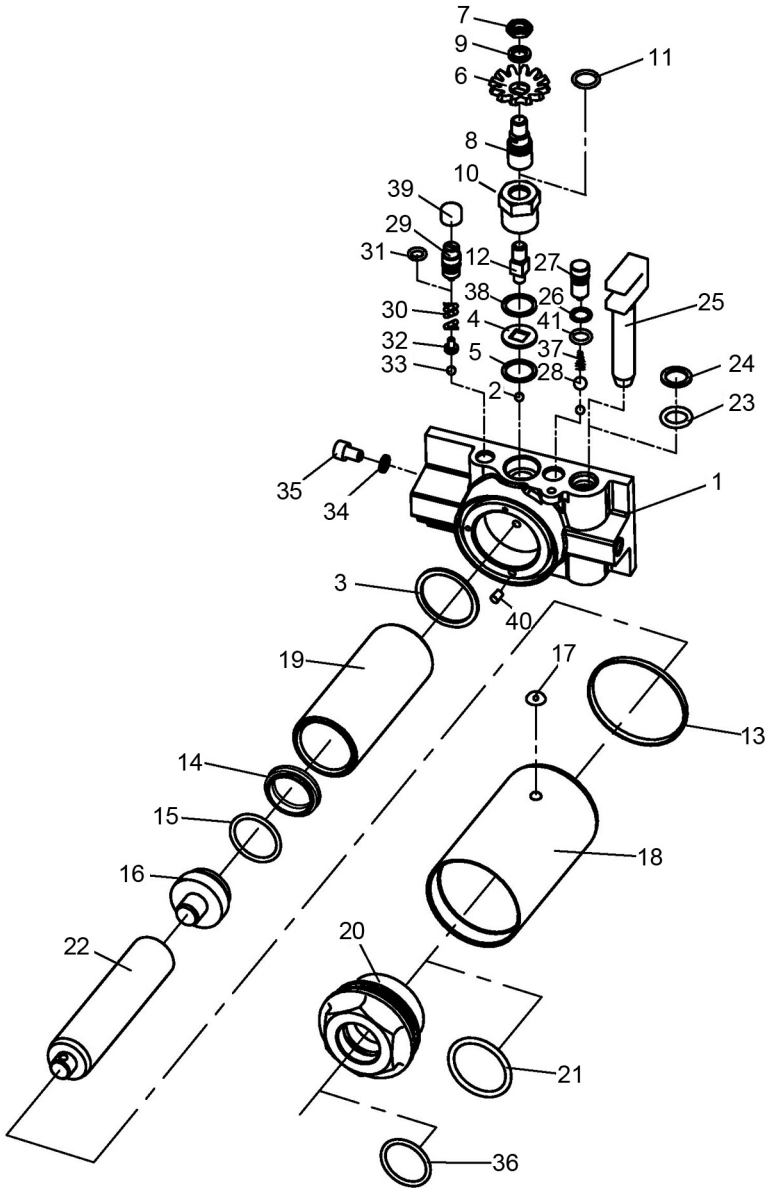
The CE mark was first applied in: 2009

Product Description: 3 Tonne Garage Jack
Model number(s): CTJ3000GB
Serial / batch Number: N/A
Date of Issue: 20/06/2016

Signed:

J.A. Clarke
Director

COMPONENT PARTS - RAM ASSEMBLY

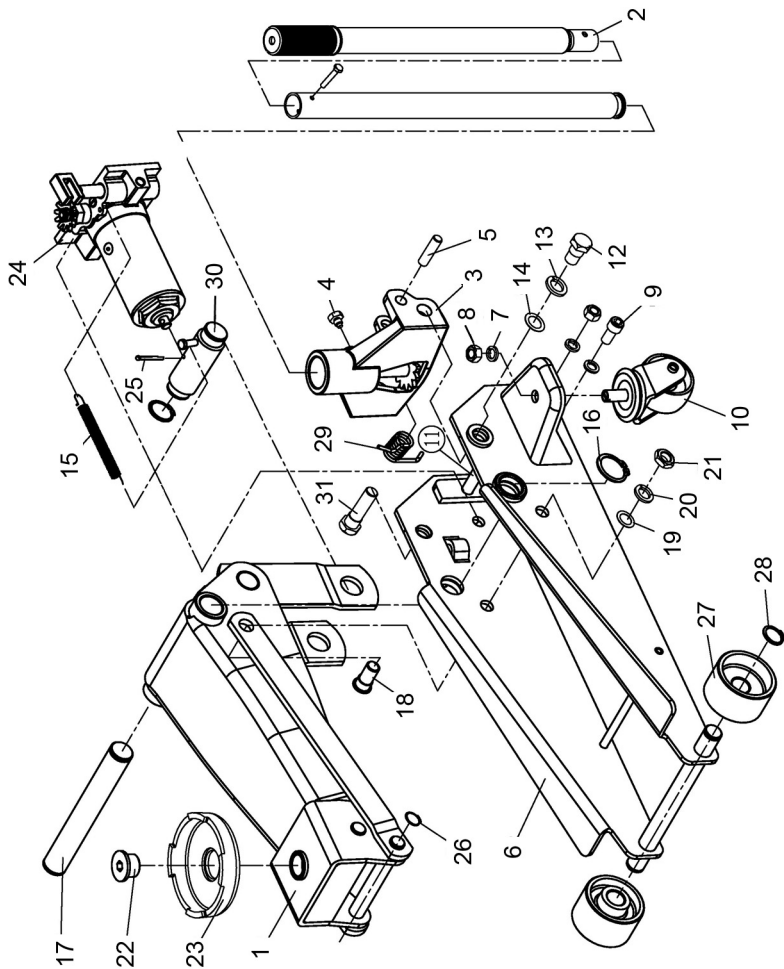


COMPONENT PARTS - RAM ASSEMBLY

	Description
1	Base Casting
2	Steel Ball
3	O-Ring
4	Actuating Washer
5	Aluminium Washer
6	Gear
7	Locknut
8	Valve connect
9	Washer
10	Valve Capping Nut
11	O-Ring
12	Valve Release Spindle
13	End Ring
14	O-Ring
15	Bowl Washer
16	Piston
17	Oil Filler Plug
18	Reservoir
19	Cylinder
20	Top cap
21	O-Ring

	Description
22	Piston Rod
23	O-Ring
24	Circlip
25	Plunger
26	Circlip
27	Oil Filler Plug
28	Circlip
29	Release Valve Nut
30	Safety Valve Spring
31	O-Ring
32	Spring Base
33	Steel Ball
34	O- Ring
35	Nut
36	Circlip
37	Taper Spring
38	Steel Washer
39	Safety Valve Cap
40	Oil Filter Screen
41	O-Ring

COMPONENT PARTS - GENERAL ASSEMBLY



COMPONENT PARTS - GENERAL ASSEMBLY

	Description
1	Lifting Arm Assembly
2	Handle
3	Yoke Assembly
4	Handle Finger Nut
5	Plunger Pin
6	Welded Frame
7	Lockwasher
8	Locknut
9	Socket Head Cap Screw
10	Caster Assembly
11	Stud
12	Hinge Bolt
13	Stud
14	Split Lockwasher
15	Return Spring
16	Circlip

	Description
17	Lifting Arm Pivot Shaft
18	Hinge Pin
19	Lockwasher
20	Washer
21	Locknut
22	Saddle Pivot
23	Saddle
24	Hydraulic Ram Assembly
25	Split (cotter) pin
26	Circlip
27	Front Wheel
28	Circlip
29	Return Spring
30	Ram Fulcrum
31	Hinge Bolt

A SELECTION FROM THE VAST RANGE OF

Clarke®

QUALITY PRODUCTS

AIR COMPRESSORS

From DIY to industrial, Plus air tools, spray guns and accessories.

GENERATORS

Prime duty or emergency standby for business, home and leisure.

POWER WASHERS

Hot and cold, electric and engine driven - we have what you need

WELDERS

Mig, Arc, Tig and Spot. From DIY to auto/industrial.

METALWORKING

Drills, grinders and saws for DIY and professional use.

WOODWORKING

Saws, sanders, lathes, mortisers and dust extraction.

HYDRAULICS

Cranes, body repair kits, transmission jacks for all types of workshop use.

WATER PUMPS

Submersible, electric and engine driven for DIY, agriculture and industry.

POWERTOOLS

Angle grinders, cordless drill sets, saws and sanders.

STARTERS/CHARGERS

All sizes for car and commercial use.



PARTS & SERVICE: 0208 988 7400

E-mail: Parts@clarkeinternational.com or Service@clarkeinternational.com

SALES: UK 01992 565333 or Export 00 44 (0)1992 565335

Clarke® INTERNATIONAL Hemnall Street, Epping, Essex CM16 4LG
www.clarkeinternational.com