

CLAMPBRO®

STRONG-ARM



1.5 TONNE TROLLEY JACK

MODEL NO: CTJ1500QL

PART NO: 7612633

OPERATION & MAINTENANCE INSTRUCTIONS

UK
CA | CE

ORIGINAL INSTRUCTIONS

DL0122 - ISS 3

INTRODUCTION

Thank you for purchasing this CLARKE Trolley Jack.

Before attempting to use this product, please read this manual thoroughly and follow the instructions carefully. In doing so you will ensure the safety of yourself and that of others around you, and you can look forward to your purchase giving you long and satisfactory service.

Users must read these instructions before using this product.

Keep this document in a safe place for future reference.

SPECIFICATIONS

Model number	CTJ1500QL
Part number	7612633
Rated Load	1.5 tonne (1500kg)
Length (not including handle):	555 mm
Width	240 mm
Height	200 mm
Height of saddle from floor (minimum)	88 mm
Height of saddle from floor (maximum)	358 mm
Lifting height with rated load	210 to 358 mm
Saddle cup diameter	95 mm
Distance raised per stroke	60 mm
Quick lift	Yes
No of strokes from min to max height	8-9
Weight	14.3kg
Pump oil capacity	105 ml

SAFETY PRECAUTIONS

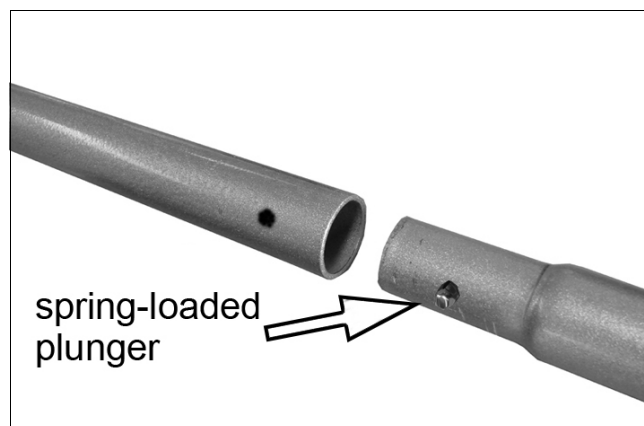
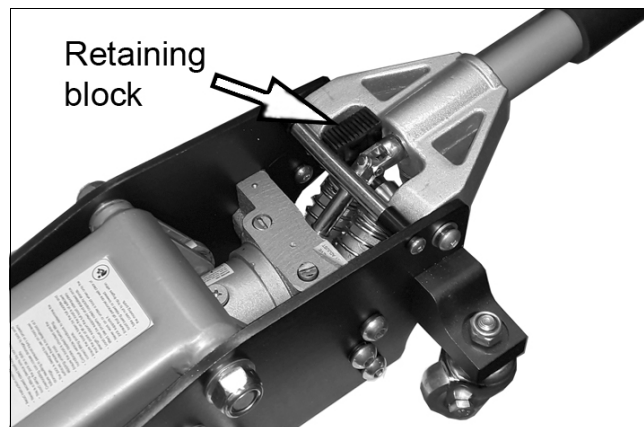
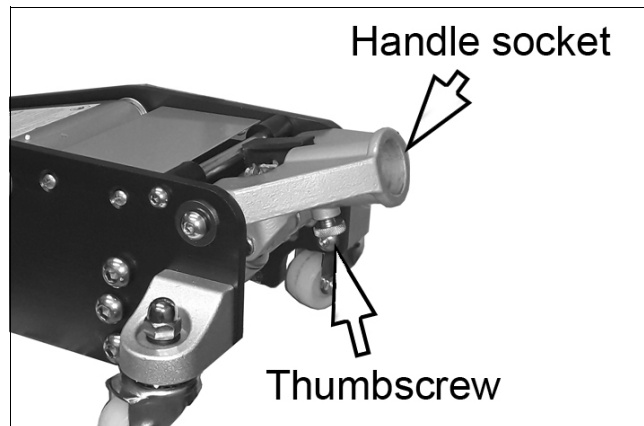


WARNING: THE OPERATOR MUST FOLLOW ALL INSTRUCTIONS WITHIN THIS INSTRUCTION BOOKLET

1. Only trained persons should operate this lifting equipment.
2. ALWAYS ensure that sufficient light is provided and that the work area is kept clear of unrelated items.
3. ALWAYS inspect the jack before use. Make sure that all parts are in good condition and operating smoothly and that no cracks or distortion is apparent. If in doubt do not use. Have the damaged parts replaced or consult your CLARKE dealer.
4. The jack must be maintained and repaired by suitably qualified persons.
5. DO NOT make any modifications to this jack or adjust any valves.
6. DO NOT use the jack if an oil leak is apparent. Consult your CLARKE dealer.
7. DO NOT try to lift more than the 1.5 Tonne rated load for the jack.
8. This jack is for lifting only; do not move a load using the jack as a dolly.
9. DO NOT use to lift people and ensure that no-one is in the vehicle during lifting.
10. **Make sure that the jack is on a firm level base and there is no possibility of it slipping when under load.**
11. Only use the jack on solid ground, preferably concrete. Avoid tarmac as the jack could sink in.
12. Make sure the load is taken by the full saddle and that the point of lift on the load is strong enough to support the load adequately.
13. **DO NOT work under the raised vehicle until it is supported by suitable means e.g. axle stands. NEVER rely on the jack to support the vehicle by itself.**
14. NEVER push a load off the jack.
15. Ensure that all personnel are well clear of a load being raised or lowered.
16. Consult the vehicle handbook to determine the correct lifting points.
17. It is necessary that the operator watch both the jack and the load during operation.
18. Check the condition of the labels regularly and replace if required.

UNPACKING AND ASSEMBLY

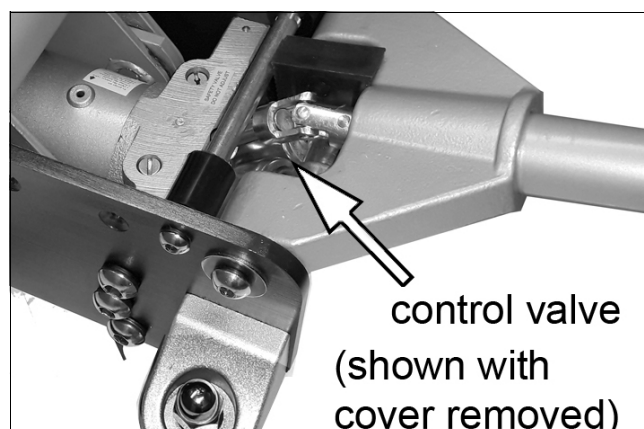
1. Loosen the thumbscrew in the yoke until the lower handle can be inserted fully into the handle socket.
 - The handle has a groove which should engage with the thumb screw once it is re-tightened.
 - The socket in the handle will engage with the jack control valve at the base of the yoke.
2. Remove the travel block by pressing the handle yoke downwards and pulling the block away.
3. Tighten the thumb screw to secure the lower handle to the jack.
4. Add the upper handle by sliding it onto the lower handle until the spring loaded pin clips in place.



PURGING AIR FROM THE SYSTEM

If air bubbles become trapped inside the hydraulic system during shipping or transport, the efficiency of the jack will be reduced and the jack will feel spongy.

1. Use the handle to turn the control valve anti-clockwise, relieving the pressure inside the jack.



2. Pump the handle several times to purge air from the system.
3. Turn the control valve clockwise and test the jack. If efficiency is still low, check the oil level as described under Maintenance ON PAGE 6.

The jack is now ready to use.

OPERATION

This jack incorporates a twin piston pump with a 'quick lift' facility. This provides the user with a rapid raising operation for the unloaded jack. When the jack reaches the vehicle to be raised its distance raised per stroke reduces to provide a gradual and controllable lifting operation.

Before use, inspect the jack for oil leaks or any other defect. Should any be apparent, have the jack repaired by a qualified technician.



WARNING: NEVER WORK ON THE VEHICLE WHEN SUPPORTED ONLY BY A JACK. THIS IS HIGHLY DANGEROUS. THE VEHICLE MUST BE SUPPORTED ON AXLE STANDS OR SUITABLE SUPPORTS, BENEATH THE CORRECT JACKING/ SUPPORT POINTS.

1. Ensure the vehicle to be raised is stable and on firm level ground with the wheels chocked. Ensure the vehicle's handbrake is on, the engine is switched off and the transmission is in gear or Park if automatic.
2. Ensure the vehicle will not come into contact with adjacent objects when tilted by the jacking operation.
3. Position the jack so that the saddle is directly beneath the lifting point.
 - Consult the vehicle handbook to determine suitable lifting points.
4. Ensure the jack wheels are free to move and there are no obstructions.
5. Twist the handle clockwise to close the control valve.
6. Pump the handle to raise the saddle until it reaches the jacking point, or alternatively, pump the handle to raise the saddle.
7. Make sure that the saddle is in full contact with the lifting point and that there is nothing that will prevent a clean lift. Keep all personnel at a safe distance before lifting the vehicle.
8. Position suitably rated axle stands directly beneath suitable supporting points on the vehicle and very gently twist the handle anti-clockwise to lower the vehicle.
9. Make sure that the axle stands are in good condition and that they can support the weight of the vehicle.

10. Ensure that the axle stands cannot move when supporting the load and are on firm, level ground. Use suitable wheel chocks to stop the vehicle from moving.
11. The jack may move slightly during operation. It is important therefore, that the floor is clean and completely free from debris.
12. Do not lift the vehicle if there is any chance of spillage of fuel, battery acid or other liquids.
13. Carefully lower the vehicle onto the axle stand(s), checking constantly that the vehicle rests snugly and cleanly on the axle stand and that the stand is stable before the weight is taken.

NOTE: Ensure this is carried out under complete control. DO NOT allow the load to drop suddenly as this impose undue strain on the jack internal parts and damage the vehicle.

14. Always avoid a rapid descent by turning the handle slowly.
15. Completely remove the jack from the vehicle.

SUITABLE AXLE STANDS FOR USE WITH THIS JACK

- CAX2TF 2 Tonne Folding Axle Stand (part no 7600015)
 - CAX2TA 2 Tonne Aluminium Axle Stand (part no 7600010)
 - CAX3TP 3 Tonne Axle Stand (part no 7600065)
 - CAX3TBC 3 Tonne Axle Stand (part no 7600060)
 - CAX3TA 1.5 Tonne Aluminium Axle Stand (part no 7600030)
 - CAX6TP 6 Tonne Axle Stand (part no 7600076)
 - CAX6TBC 6 Tonne Axle Stand (part no 7600070)
16. CAX10TP 10 Tonne Axle Stand (part no 7600090) - sold singly

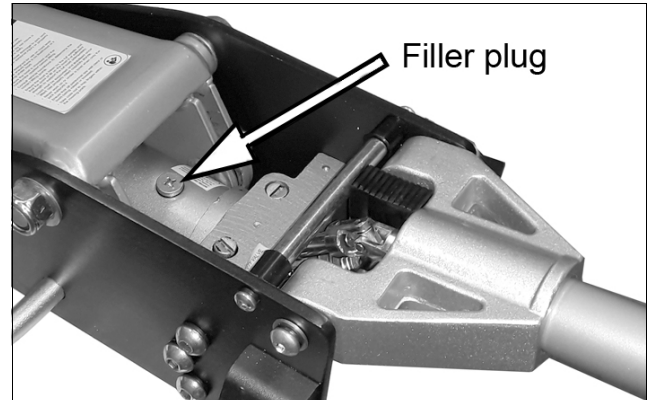
MAINTENANCE

CHECKING/TOPPING UP THE OIL LEVEL

If the jack has been stored for long periods, check for oil leaks before use. If necessary, check the oil level as follows:

1. Ensure the jack is fully lowered by turning the control valve fully anti-clockwise.
2. Remove the filler plug.
 - The oil should be almost level with the bottom of the oil filler hole.

- Oil can be topped up using CLARKE Hydraulic Oil (p/n 3050830 1 litre). Never use brake fluid or instead of oil.
 - Take care not to move the handle while topping up the oil.
3. Replace the filler plug and cover plate and purge any air from the system.
 4. Wipe up any spillage and dispose of old or spilled oil appropriately.



GENERAL CARE

1. Periodically lubricate the hinges, front wheels & rear castors with light oil.
2. In the event of damage or broken components, replacements are available from CLARKE Parts & Service.

STORAGE

Store in a dry, child-proof place with the ram fully lowered. If stored for long periods, inspect at least once a year, clean and re-oil. For servicing, contact your CLARKE dealer or CLARKE International Service Department.

ENVIRONMENTAL PROTECTION

One of the most damaging sources of environmental pollution is oil products. Never throw away used hydraulic oil with domestic refuse or flush it down a sink or drain. Collect any hydraulic oil in a leak proof container and take it to your local waste disposal site.

If disposing of this product or any damaged components, do not dispose of with general waste. This product contains valuable raw materials and should be taken to your local civic amenity site for recycling of metal products.

GUARANTEE

This product is guaranteed against faulty manufacture for a period of 12 months from the date of purchase. Please keep your receipt which will be required as proof of purchase.




This guarantee is invalid if the product is found to have been abused or tampered with in any way, or not used for the purpose for which it was intended. Faulty goods should be returned to their place of purchase, no product can be returned to us without prior permission. This guarantee does not effect your statutory rights.




TROUBLESHOOTING

PROBLEM	CAUSE	SOLUTION
Jack will not lift the rated load	Low oil level. Release valve not closed. Air in hydraulic system. Damage to moving parts.	Check for leakage and top up if required as on pages 6/ 7. Turn the release knob fully clockwise Purge the system as on page 4. Replace or return to your dealer for repair.
Jack lifts but lowers when under load	Release valve not fully closed Air in hydraulic system Dirt on valve seats or faulty seals.	Turn the release valve fully clockwise. Purge the system as on page 4. Replace or return to your dealer for repair.
Pump feels Spongy	Low oil level. Air in hydraulic system	Check for leakage and top up if required as on pages 6/ 7. Purge the system as on page 4.
Handle raises or flies back under load	Air in hydraulic system.	Purge the system as on page 4.
Jack will not lift full height	Low oil level. Air in hydraulic system	Check for leakage and top up if required as on pages 6/ 7. Purge the system as on page 4.
Jack will not lower completely	Return spring damaged Piston or frame bent. Release valve partly open. Air in system.	Replace or return to your dealer for repair. Check and fully open release valve. Open release valve and pump handle a few times. Close valve and re-try.
Jack will not lower at all.	Release valve still closed.	Check and fully open release valve.

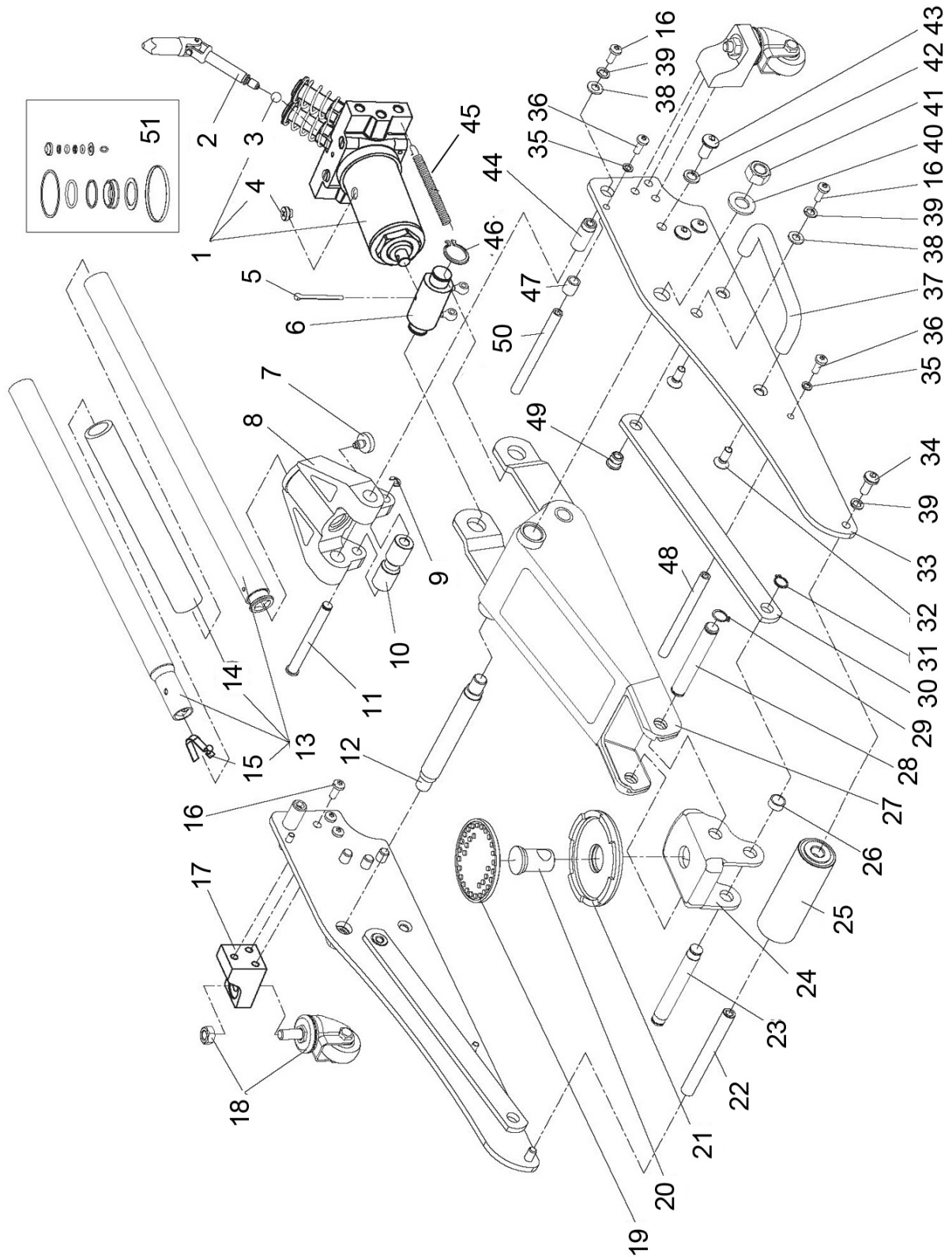
If any of these remedies fail to restore your jack, consult your CLARKE dealer.

DECLARATION OF CONFORMITY

	 Hemnal Street, Epping, Essex, CM16 4LG
DECLARATION OF CONFORMITY This is an important document and should be retained.	
We hereby declare that this product(s) complies with the following statutory requirement(s): <i>Supply of Machinery (Safety) Regulations 2008</i>	
The following standards have been applied to the product(s): <i>EN 1494:2000+A1:2008</i>	
The technical documentation required to demonstrate that the product(s) meet(s) the requirement(s) of the aforementioned legislation has been compiled and is available for inspection by the relevant enforcement authorities.	
The UKCA mark was first applied in: 2021	
Product Description:	1.5 Tonne Aluminium + Steel Floor Jack
Model number(s):	CTJ1500QL
Serial / batch Number:	N/A
Date of issue:	11/01/2022
Signed:	 J.A. Clarke Director
CTJ1500QL UKCA Clarke DOC 011122	
Page 1 of 1	

	 Fitzwilliam Hall, Fitzwilliam Place, Dublin 2
DECLARATION OF CONFORMITY This is an important document and should be retained.	
We hereby declare that this product(s) complies with the following directive(s): <i>2006/42/EC Machinery Directive.</i>	
The following standards have been applied to the product(s): <i>EN 1494:2000+A1:2008</i>	
The technical documentation required to demonstrate that the product(s) meet(s) the requirement(s) of the aforementioned directive(s) has been compiled and is available for inspection by the relevant enforcement authorities.	
The CE mark was first applied in: 2019	
Product Description:	1.5 Tonne Aluminium + Steel Floor Jack
Model number(s):	CTJ1500QL
Serial / batch Number:	N/A
Date of issue:	11/01/2022
Signed:	 J.A. Clarke Director
CTJ1500QL CE Clarke DOC 011122	
Page 1 of 1	

COMPONENT PARTS - GENERAL ASSEMBLY



COMPONENT PARTS - GENERAL ASSEMBLY

No	Description
1	Hydraulic ram assembly
2	Universal joint assembly
3	Steel ball
4	Oil plug
5	Cotter pin 4dia x 4.5
6	Coupling connector
7	Socket screw M8x19.5mm
8	Handle socket
9	Circlip 8mm
10	Roller
11	Hinge pin
12	Supporting axle
13	Handle assembly
14	Foam protective pad
15	Spring section
16	Pan head socket screw M8x16
17	Castor mounting block
18	Rear castor assembly with nut
19	Saddle pad
20	Saddle pivot
21	Saddle
22	Front wheel shaft
23	Saddle support shaft
24	Saddle base
25	Front wheel assembly
26	Bush for (23)

No	Description
27	Lifting arm
28	Saddle base pivot shaft
29	Circlip 14mm
30	Connecting bar
31	Circlip 13mm
32	Flat head socket screw M8x20
33	Slide plate
34	Pan head screw M8x20
35	Washer M6
36	Pan head screw M6x16
37	Carry handle
38	Washer M8
39	Spring washer M8
40	Washer M14
41	Nut M14
42	Washer M10
43	Pan head screw M10x20
44	Handle socket shaft
45	Return spring
46	Circlip 19mm
47	Rubber sleeve
48	Frame tie bar
49	Connecting bar socket
50	Shaft
51	Seal kit

A SELECTION FROM THE VAST RANGE OF

Clarke®

QUALITY PRODUCTS



AIR COMPRESSORS

From DIY to industrial, Plus air tools, spray guns and accessories.

GENERATORS

Prime duty or emergency standby for business, home and leisure.

POWER WASHERS

Hot and cold, electric and engine driven - we have what you need

WELDERS

Mig, Arc, Tig and Spot. From DIY to auto/industrial.

METALWORKING

Drills, grinders and saws for DIY and professional use.

WOODWORKING

Saws, sanders, lathes, mortisers and dust extraction.

HYDRAULICS

Cranes, body repair kits, transmission jacks for all types of workshop use.

WATER PUMPS

Submersible, electric and engine driven for DIY, agriculture and industry.

POWERTOOLS

Angle grinders, cordless drill sets, saws and sanders.

STARTERS/CHARGERS

All sizes for car and commercial use.

PARTS & SERVICE: 0208 988 7400

Parts Enquiries
Parts@clarkeinternational.com

Servicing & Technical Enquiries
Service@clarkeinternational.com

SALES: UK 01992 565333 or Export 00 44 (0)1992 565335

Clarke® INTERNATIONAL Hemnall Street, Epping, Essex CM16 4LG
www.clarkeinternational.com