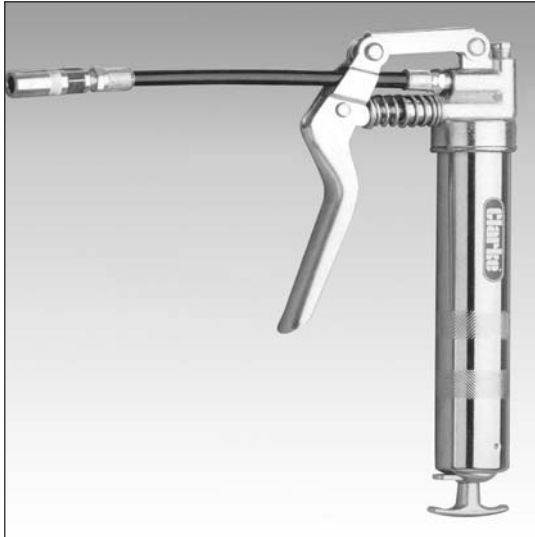


ClarkeTM

GREASE GUN

Model No. CGG120

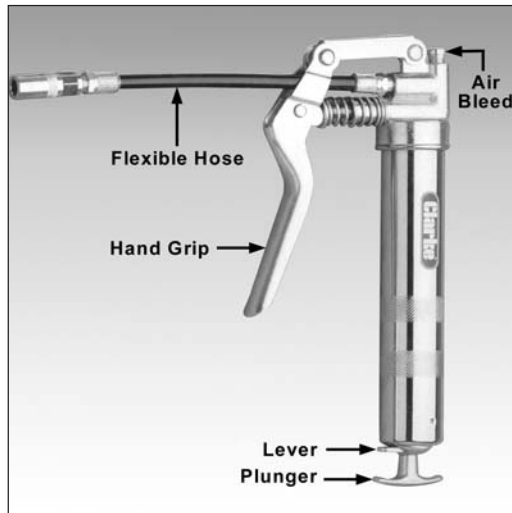
Part No. 7640150



GUARANTEE

This product is guaranteed against faults in manufacture for 12 months from date of purchase. Keep your receipt as proof of purchase. This guarantee is invalid if the product has been found to have been abused or tampered with in any way, or not used for the purpose for which it was intended. The reason for return must be clearly stated.

This guarantee does not affect your statutory rights.



The cylinder may be filled with bulk grease or a 3oz (85cc) cartridge may be used.

To fill with bulk grease, proceed as follows:

1. Unscrew the cylinder from the body.
2. Remove the lid from the grease container.

NOTE: Ideally, use the type of container where a steel plate, with a hole in the middle, rests in the surface of the grease. Using this type of container:

3. Invert the cylinder and place the open end over the hole in the steel plate in the grease container.
4. Press down forcibly on the cylinder whilst slowly pulling up on the plunger. Continue until the cylinder is fully charged.
5. Screw the cylinder back on to the body.

6. Depress the Lever (shown in the diagram above), fully, then push the plunger back into the cylinder as far as it will go. Release the Lever.
7. Open the Air Bleed using an Allen Key (not supplied), and operate the hand grip until all air is expelled...i.e. grease in a solid mass is expelled from the air bleed. Close the air bleed.

The grease gun is now ready for use.

To use with a cartridge:

1. Unscrew the cylinder from the body.
2. Remove end caps from cartridge.
3. Pull plunger out fully, then insert the cartridge into the cylinder - larger open end first
3. Screw cylinder back on to body, and proceed as from para. (6) above..

Clarke[®]
INTERNATIONAL

Hemnal Street, Epping, Essex, CM16 4LG.