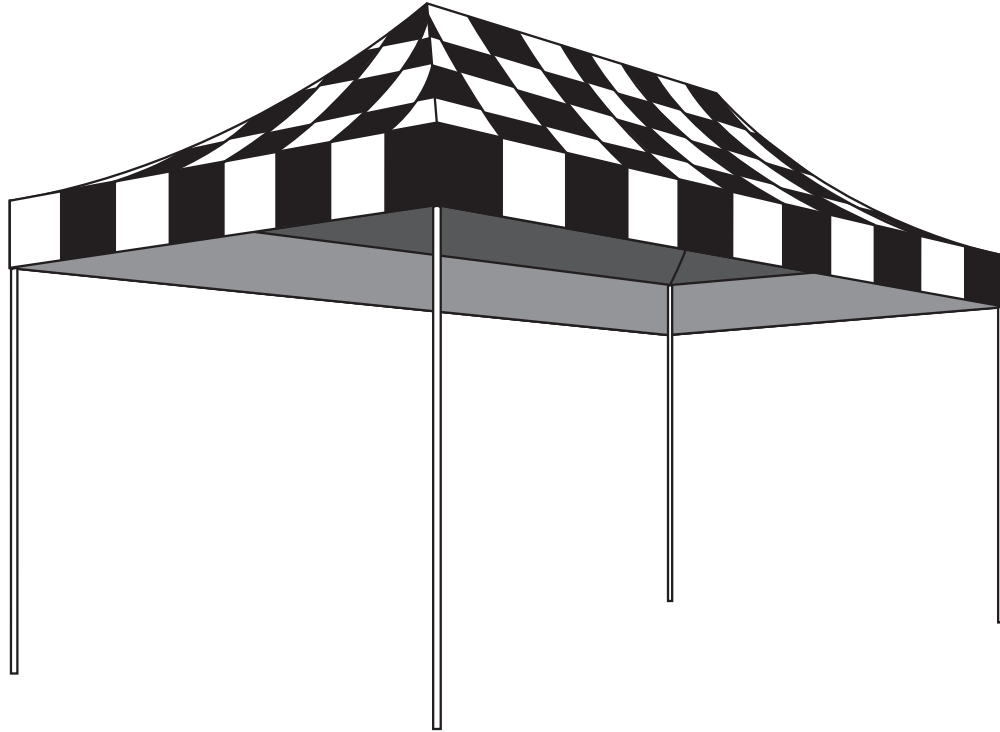


# Pop-Up Canopy

10 x 15 ft. / 3 x 4.6m



DESCRIPTION	MODEL
Pop-Up Canopy 10' x 15' Straight Leg - Chequer design	CC15 3503524

## RECOMMENDED TOOLS



Please read instructions **COMPLETELY** before assembly. This shelter **MUST** be securely anchored.

**WARNING** – Keep all flame and heat sources away from fabric. The fabric may burn if left in continuous contact with any flame source. The application of any foreign substance to the fabric may render the flame-resistant properties ineffective. It is not fireproof.

**Before you start:** 2 or more individuals recommended for assembly.

# Clarke®

Clarke International  
Hemnal Street  
Epping  
Essex CM16 4LG  
ENGLAND  
[www.clarkeinternational.com](http://www.clarkeinternational.com)

**PARTS & SERVICE: 0208 988 7400**  
E-mail: [Parts@clarkeinternational.com](mailto:Parts@clarkeinternational.com) or  
[Service@clarkeinternational.com](mailto:Service@clarkeinternational.com)

**SALES: UK 01992 565333 or**  
**EXPORT: 00 44 (0)1992 565335**



**Before you start: 2 or more individuals recommended for assembly.**

**NOTE:** Please read instructions COMPLETELY before assembly

**ATTENTION:**

The canopy product is classified as a temporary fabric covered shelter designed primarily for seasonal shade. It is **NOT** snow, ice, or wind load rated and is not recommended as a permanent structure. This canopy must be properly and securely anchored.



**WARNING:**

Choose the location of your canopy carefully. Check for overhead utility lines, tree branches or other structures. **DO NOT** hang objects from the roof. **DO NOT** smoke or use open flame devices in or around the canopy. **DO NOT** store flammable liquids (gasoline, kerosene, propane, etc.) under your canopy. **DO NOT** expose top or legs of the canopy to open fire or other flame source. **DO NOT** use BBQ's, fire pits, deep fryers or smokers under the canopy.



**CAUTION:**

Use **CAUTION** when erecting the frame.

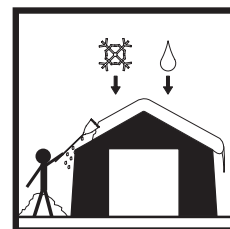
**PROPER ANCHORING AND INSTALLATION OF FRAME:**

**PROPER ANCHORING OF THE FRAME IS THE RESPONSIBILITY OF THE CONSUMER.**

Clarke® International is not responsible for damage to the unit or the contents from acts of nature. Any canopy that is not anchored securely has the potential to fly away causing damage. Periodically check the anchors to ensure stability of the canopy.

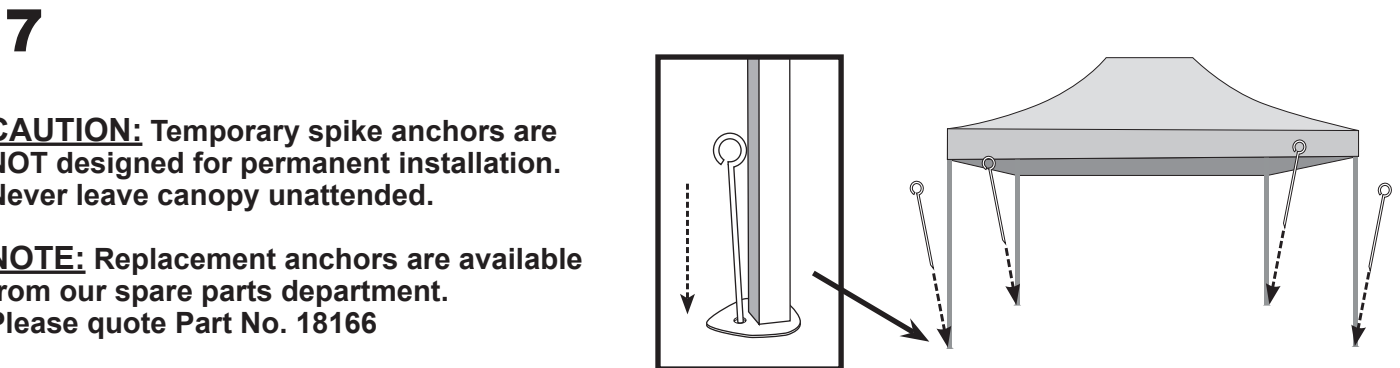
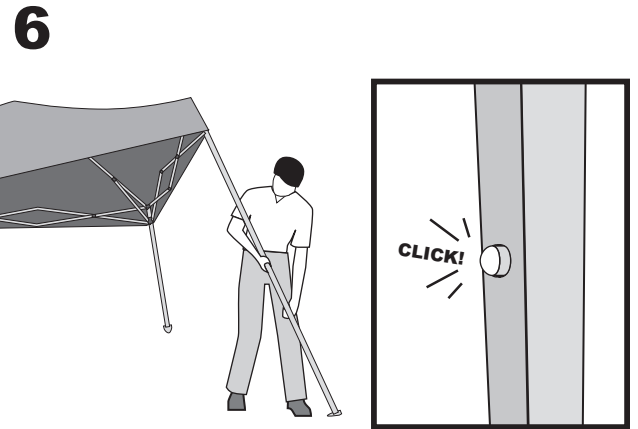
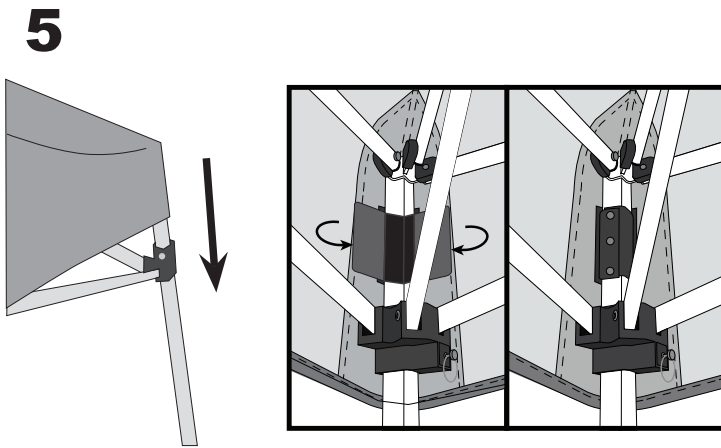
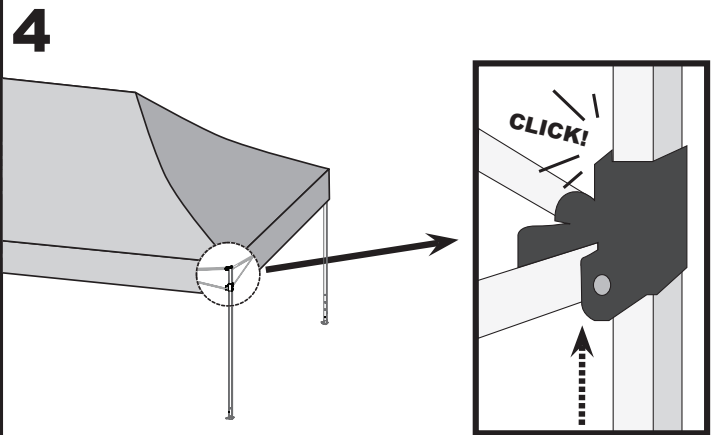
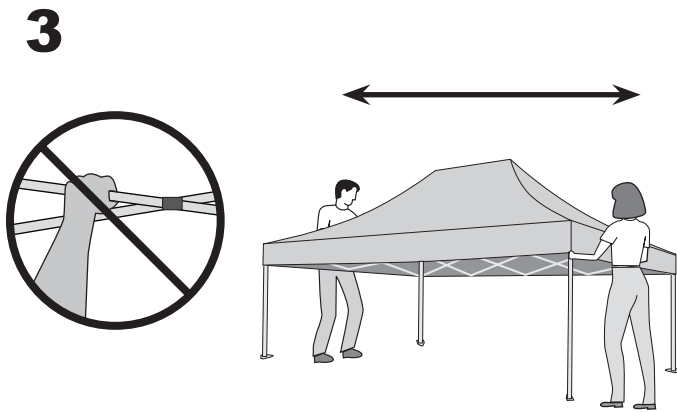
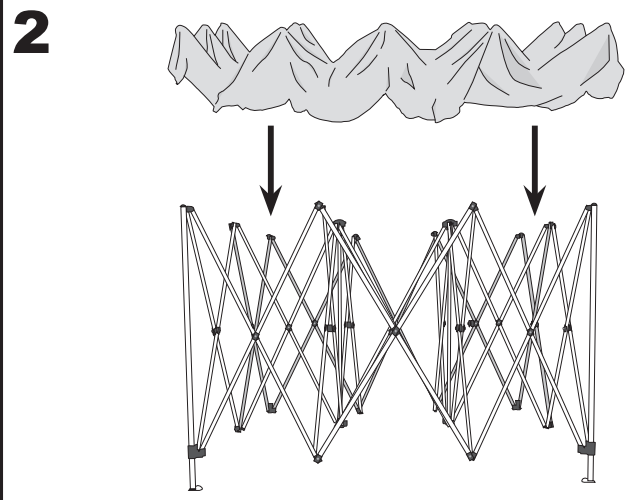
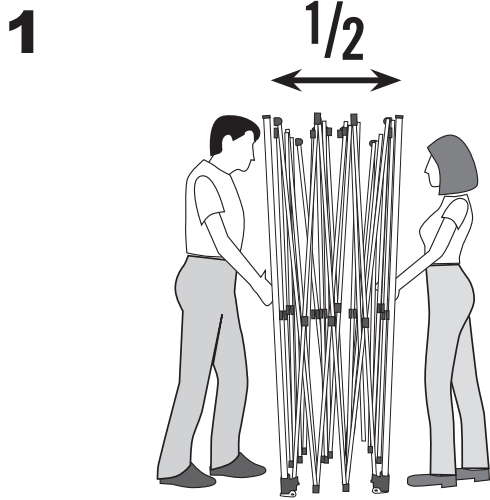
Clarke® International cannot be responsible for any shelter that blows away.

**NOTE:** Your shelter's cover can be quickly removed and stored prior to severe weather conditions. If strong winds or severe weather is forecast in your area, we recommend removal of cover.



**CARE AND CLEANING:**

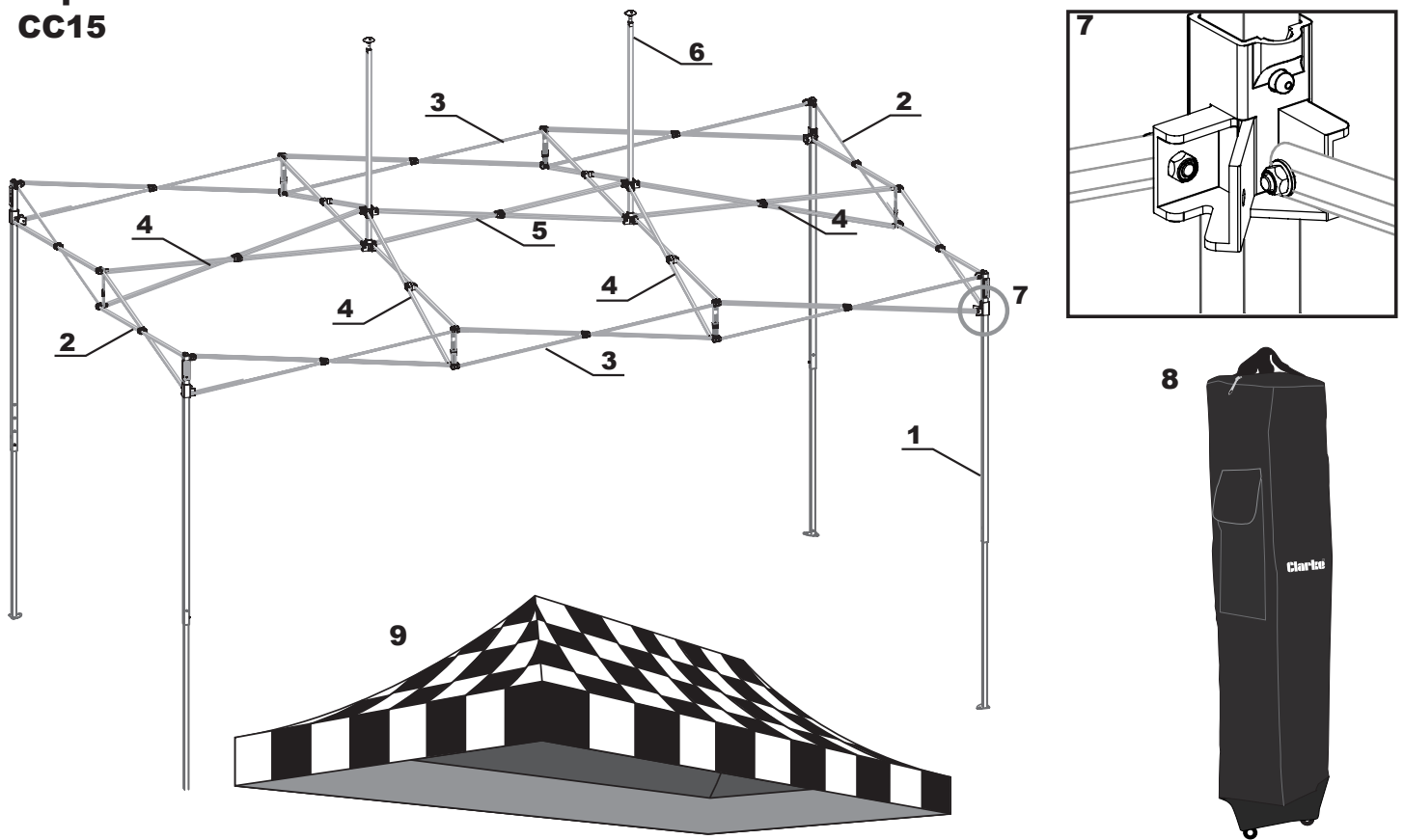
A tight cover will ensure longer life and performance. Always maintain a tight cover. Loose fabric can accelerate deterioration of cover fabric. Immediately remove any accumulated debris from the cover with a broom, mop or other soft-sided instrument. Use extreme caution when removing debris from cover. Always remove from outside the structure. **DO NOT** use hard-edged tools or instruments like rakes or shovels to remove debris. This could result in punctures to the cover. **DO NOT** use "Protect and Shine", bleach or harsh abrasive products to clean the fabric cover. Cover is easily cleaned with mild soap and water.



**CAUTION:** Temporary spike anchors are NOT designed for permanent installation. Never leave canopy unattended.

**NOTE:** Replacement anchors are available from our spare parts department. Please quote Part No. 18166

## Replacement Parts CC15



Part Pièce Parte	Part Number Numéro de Pièce Número de Parte	Description / Désignation / Descripción
1	SHLCC1515381	Leg Tube Assembly
2	SHLCC1515370	Gemel Assembly, side 1
3	SHLCC1515398	Gemel Assembly, side 2
4	SHLCC1515373	Gemel Assembly, supports
5	SHLCC1515399	Gemel Assembly, middle
6	SHLCC1515376	Top Tube Kit
7	SHLCC1522606	Sliding Connector Kit
8	SHLCC1515557	Replacement Roller Bag
9	SHLCC15800812	Replacement Cover - Chequered Flag

# OTHER QUALITY LEISURE & GARDENING PRODUCTS AVAILABLE FROM

# Clarke®



**LOGBUSTERS  
BANQUETING TABLES**



**BBQ's**

**PORTABLE GENERATORS**



**GARDEN TROLLEYS**

**INSTANT GARAGES**

**INSTANT SHEDS**

**BIKE TRAINERS**

**HOT & COLD POWER WASHERS**



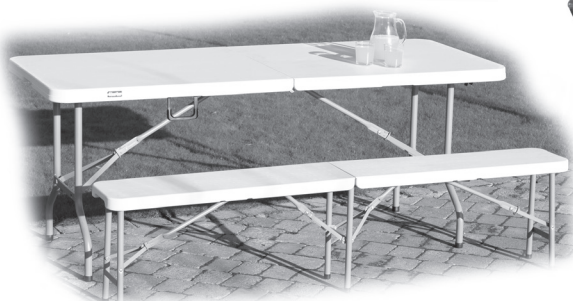
**TARPAULINS • INSECT KILLERS**

**INVERTERS**

**JUMP STARTS**

**LADDERS**

**AND MUCH MORE!**



**PARTS & SERVICE: 0208 988 7400**

**E-mail: [Parts@clarkeinternational.com](mailto:Parts@clarkeinternational.com) or [Service@clarkeinternational.com](mailto:Service@clarkeinternational.com)**

**SALES: UK 01992 565333 or EXPORT: 00 44 (0)1992 565335**

**Clarke® INTERNATIONAL** Hemnall Street, Epping, Essex CM16 4LG  
[www.clarkeinternational.com](http://www.clarkeinternational.com)