

Thank you for purchasing a Sealey product. Manufactured to a high standard this product will, if used according to these instructions give complete satisfaction.

**IMPORTANT: PLEASE READ THESE INSTRUCTIONS CAREFULLY. NOTE THE SAFE OPERATIONAL REQUIREMENTS, WARNINGS & CAUTIONS. USE THE PRODUCT CORRECTLY AND WITH CARE FOR THE PURPOSE FOR WHICH IT IS INTENDED. FAILURE TO DO SO MAY CAUSE DAMAGE OR SERIOUS PERSONAL INJURY AND WILL INVALIDATE THE WARRANTY. PLEASE KEEP THESE INSTRUCTIONS SAFE FOR FUTURE USE.**

### 1. SAFETY INSTRUCTIONS

- ✓ Maintain the stand in good condition, Replace or repair damaged parts. Use recommended parts only. Non authorised parts may be dangerous and will invalidate the warranty.
- ✓ Before use ensure that all stand nuts and bolts are tight and that moveable and clamping parts are in good working order.
- ✓ Place stand on a sound level surface offering adequate working clearance for its function. Keep area clean, tidy and free from unrelated materials. Ensure there is adequate lighting.
- ✓ When mounted ensure the bicycle centre of gravity is between the stand legs.
- ✓ Remove ill fitting clothing. Remove ties, watches, rings, and other loose jewellery, and contain long hair.
- ✓ Maintain correct balance and footing. Ensure the floor is not slippery and wear non slip shoes.
- ✓ Keep children and unauthorised persons away from the working area.
- ✗ **DO NOT** use the stand for any purpose other than for which it is designed.
- ✗ **DO NOT** get the stand wet or use in damp or wet locations or areas where there is condensation.
- ✓ When not in use store the stand in a safe, dry, child proof area.
- ▲ **DO NOT** exceed maximum load of 30kg.

### 2. INTRODUCTION

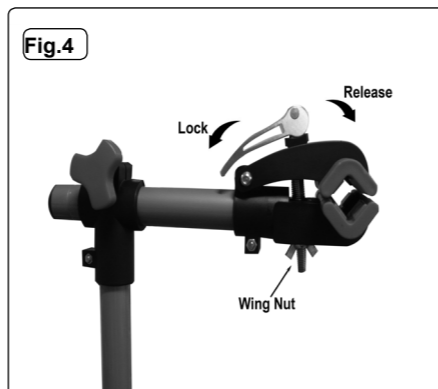
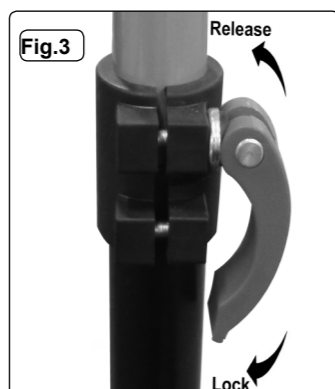
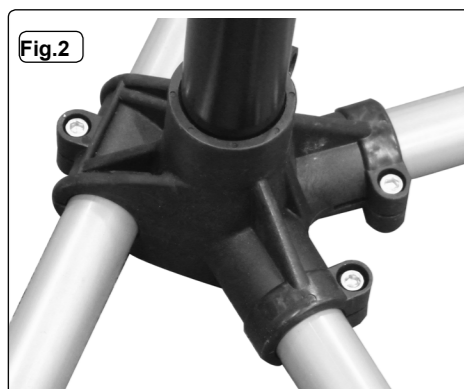
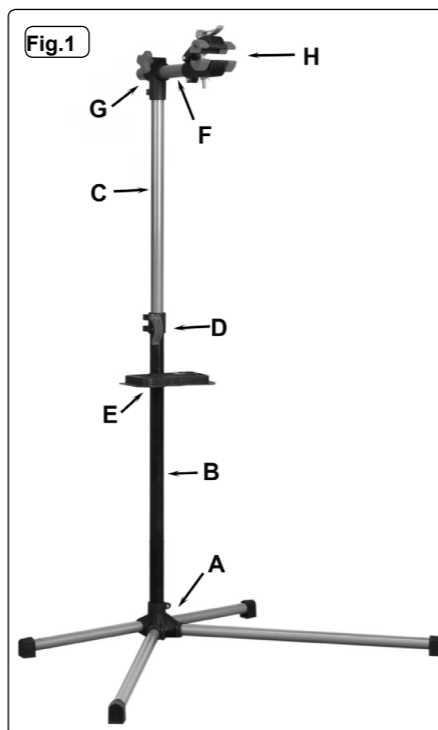
- Heavy-duty cycle stand of durable construction, manufactured with steel tubes.
- Ideal for home and workshop use. Fitted with rubber coated frame clamp which helps prevent damage to paintwork.
- Features large rubber feet for added stability and multi-position tool tray to ensure tools are always close to hand.
- Adjustable work height from 1050mm to 1750mm.
- Adjustable cycle locking strap to prevent wheel movement available separately - Order Model No. BS102S.

### 3. SPECIFICATION

Model No:.....	BS102
Minimum Height: .....	1050mm
Maximum Height: .....	1750mm
Weight: .....	6kg
Maximum Load: .....	30kg
Minimum Cycle Frame Size: .....	25mm
Maximum Cycle Frame Size: .....	45mm

### 4. ASSEMBLY

- 4.1. Assemble base inserting 2 radial legs and sliding rear leg through base mounting and clamping it at its mid-point (Fig.1.A and Fig.2). Secure by tightening the hex bolts with the 5mm hex key supplied.
- 4.2. Ensure that the base is placed on a solid, level surface. Fit rubber feet and ensure that they all have their flat surface downwards.
- 4.3. Insert the upright tube (Fig.1.B) in base and secure.
- 4.4. Clamp mounting head (Fig.1.G.) onto sliding tube(Fig.1.C.)
- 4.5. Affix holding clamp (Fig.1.G.) to short tube (Fig.1.F. and Fig.4). Slide tube into mounting head and tighten locking screw.
- 4.6. Attach the tool tray (Fig.1.E) to the upright tube and set to a convenient height. The tool tray contains a magnet to retain tools and parts.



### 5. USING THE STAND

- 5.1. Ensure that all hex bolts are tight before using the stand.
- 5.2. **DO NOT** exceed the maximum extension of the cycle mounting tubes (Fig.1 C & F). There is a mark on each tube to show this limit.
- 5.3. Only use the stand with cycle suspended over the legs.
- 5.4. Select a point on the cycle frame which will allow it to be clamped in a balanced position to avoid straining the clamps or tipping the stand.
- 5.5. Adjust the angles of the clamps (Fig.4) before installing cycle.
- 5.6. The pressure exerted by the clamp may be adjusted by tightening or loosening the wing nut underneath.(Fig.4)
- 5.7. If any adjustment is required with the cycle in situ, it is recommended that 2 people are used.
- 5.8. **DO NOT** nip any cables or wires in the clamp to avoid damage.
- 5.9. **DO NOT** over tighten clamp on carbon fibre or thin aluminium frames; the clamp can exert considerable force.
- 5.10. To immobilise the front forks or handlebars, a stabilizer bar is available (Fig.5). The part no. is: **BS102S** (not supplied). This can be connected to either the cycle frame or the stand, whichever is more convenient.



**NOTE:** It is our policy to continually improve products and as such we reserve the right to alter data, specifications and component parts without prior notice.  
**IMPORTANT:** No liability is accepted for incorrect use of this product.  
**WARRANTY:** Guarantee is 12 months from purchase date, proof of which will be required for any claim.  
**INFORMATION:** For a copy of our latest catalogue and promotions call us on 01284 757525 and leave your full name and address, including postcode.