



INSTRUCTIONS FOR:
**OIL DISPENSING
SYSTEM AIR OPERATED**
Model No: **AK4562D**

Thank you for purchasing a Sealey product. Manufactured to a high standard, this product will, if used according to these instructions, and properly maintained, give you years of trouble free performance.



IMPORTANT: PLEASE READ THESE INSTRUCTIONS CAREFULLY. NOTE THE SAFE OPERATIONAL REQUIREMENTS, WARNINGS & CAUTIONS. USE THE PRODUCT CORRECTLY AND WITH CARE FOR THE PURPOSE FOR WHICH IT IS INTENDED. FAILURE TO DO SO MAY CAUSE DAMAGE AND/OR PERSONAL INJURY AND WILL INVALIDATE THE WARRANTY. KEEP THESE INSTRUCTIONS SAFE FOR FUTURE USE.

1. SAFETY

- WARNING!** Ensure health & safety, local authority, and general workshop practice regulations are strictly adhered to when using this equipment.
- ✓ Familiarise yourself with product application and limitations, as well as the specific potential hazards peculiar to this product.
- ✓ Maintain the pump station in good condition (use an authorised service agent).
- ✓ Replace or repair damaged parts. Use *genuine parts only*. *Non authorised parts will invalidate the warranty*.
- ✓ Use only to pump lubricants up to SAE 150 viscosity, used oil and antifreeze liquids.
- ✓ Ensure safety eye protection, oil resistant gloves and protective clothing are worn when using this product.
- ✓ Keep the work area clean, uncluttered and ensure there is adequate lighting.
- ✓ Maintain correct balance and footing. Ensure the floor is not slippery and wear non slip shoes.
- ✓ Keep children and unauthorised persons away from the working area.
- ✓ After use, drain any fluids from the equipment before storage.
- ✓ Dispose of waste liquids in accordance with local authority regulations.
- ✓ Disconnect air pressure from equipment when not in use.
- ✗ **DO NOT** exceed the maximum air pressure of 115psi.
- ✗ **DO NOT** point the nozzle at people or animals.
- ✗ **DO NOT** use the equipment near open flames.
- ✗ **DO NOT** smoke whilst using this equipment.
- ✗ **DO NOT** use to extract corrosive fluids.
- ✗ **DO NOT** dismantle, tamper with or adapt the pump for any purpose other than for which it is designed.
- ✗ **DO NOT** use the unit if it has been dropped or mishandled, check the unit to ensure there is no damage.
- ✗ **DO NOT** leave the trolley on a slope, or traverse slopes, which may cause the unit to topple.
- ✓ The unit must be stored on a level surface with the brake on.
- ✓ Keep the pump clean and store in a safe dry, childproof location.
- WARNING! DO NOT** allow uncontrolled discharge of fluids thus polluting the environment. All liquids must be disposed of according to local authority regulations.

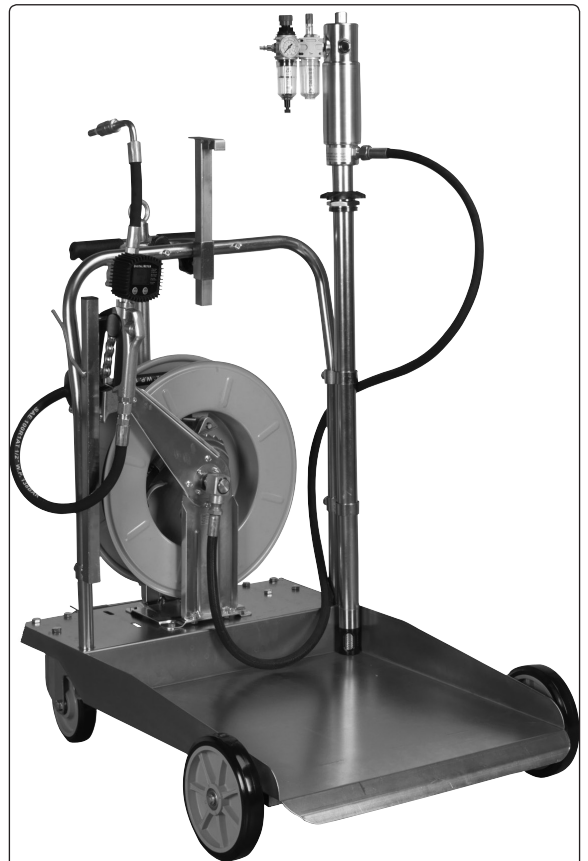
2. INTRODUCTION

Mobile oil dispensing unit with air operated 3:1 double acting pump for barrels or tanks with 2" BSP fittings. Pump is supplied with air management system connected to a 940mm rigid suction probe with non-return valve. Features 10mtr retractable hose reel and digital oil meter Model No. AK4565D. Suitable for use with engine, hydraulic, synthetic, gear, and transmission oils up to SAE150.

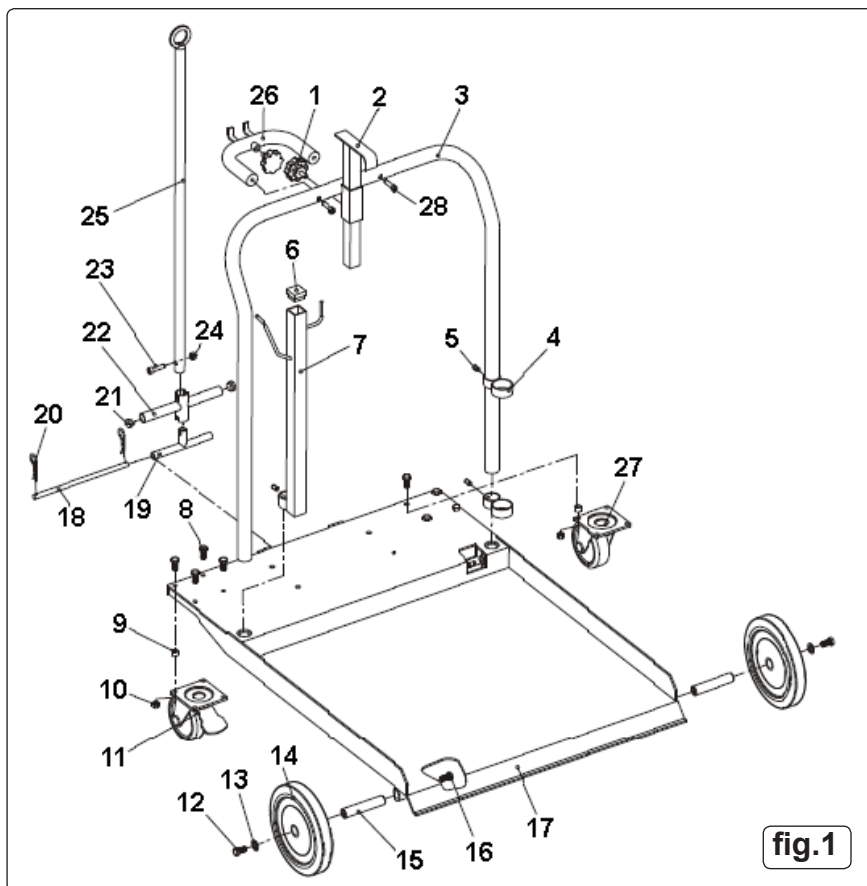
3. SPECIFICATION

Model:	AK4562D
Pump Ratio:	3:1
Maximum Flow Rate:	12ltr/min
Maximum Viscosity:	150SAE
Maximum Output Pressure:	350psi
Maximum Air Pressure:	115psi
Recommended Air Pressure:	70psi
Outlet:	1/2" BSP

Digital Hose End Meter	
Model:	AK4565D
Accuracy:	+/- 0.5%
Inlet:	1/2" BSP
Battery:	Lithium CR2 3V 1400mAH

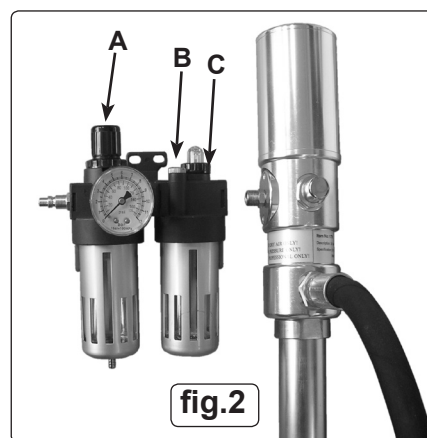


4. ASSEMBLY



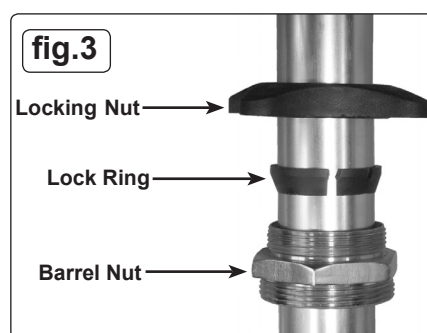
4.1. Trolley Assembly (fig.1)

- 4.1.1. Attach the two castor wheels (11 & 27) to the base plate (17) using bolts (8) washers (9) and nuts (10).
- 4.1.2. Turn the base plate upside down and attach the axles (15) to the base plate using hex bolts (16) and then slide the wheels (14) onto the axles and secure using washers (13) and hex bolts (12). Turn the base plate over so that it is now supported on its wheels.
- 4.1.3. Slide the two pump support brackets (4) onto the handle (3) and attach them using hex grub screws (5).
- 4.1.4. Slide the accessory support (7) onto the other side of the handle and attach using hex grub screw (5), insert stopper (6) into the top of the accessory support.
- 4.1.5. Slide the handle assembly into the base plate until it bottoms out on the stops and secure with two hex grub screws (5).
- 4.1.6. Slide the drum holder support (2) into the handle and secure using knob (1).
- 4.1.7. Thread knob (1) into the handle support (26) and then attach handle support to the main handle (3) using bolts (28).
- 4.1.8. Slide the handle grip (22) onto the movable handle (25), insert handle joint (19) into the base of the moveable handle and secure using bolt (23) and nut (24). Align the handle assembly to the brackets on the base plate and slide handle pin (18) through and lock into position with R-clips (20).
- 4.1.9. Adjust the pump support brackets, so that they fully support the pump assembly and check all fixings are tight.
- 4.1.10. Place the AK4567D retractable hose reel (fig.1A) onto the back of the base plate and secure using four bolts, washers and nuts (not shown in fig.1).



4.2. Pump and Air Regulator/Lubricator Assembly

- 4.2.1. Apply a small amount of liquid thread sealant onto the threads of the air inlet of the pump and attach the air regulator/lubricator (fig.2).
- WARNING! DO NOT** allow thread sealant to enter the pump.
- 4.2.2. Attach the outlet pipe to the male outlet thread on the pump and attach the male threaded end of the pipe to the retractable hose reel.
- 4.2.3. Attach the outlet of the retractable hose reel to the Digital Hose End Meter.
- 4.2.4. Attach the nozzle valve pipe assembly to the outlet of the Digital Hose End Meter.
- WARNING! DO NOT** overtighten the swivel connections.
- 4.2.5. Slide the locking nut, locking ring and the barrel nut onto the pick up probe of the pump (fig.3), screw the locking nut onto the barrel nut to lock the assembly to the pick up probe.
- 4.2.6. Insert the pump assembly into the support brackets on the trolley and hang the meter onto the accessory support bracket.



4.3. Pre-Operation

- 4.3.1. Lift up the knob (fig.2A) on the air regulator and ensure that the knob is wound fully anti-clockwise.
- 4.3.2. Remove the filler plug (fig.2B) from the lubricator and fill the lubricator with a quality air tool oil (Sealey ATO1000S), refit the filler plug.
- 4.3.3. The lubricator feed is set when the unit is running, adjust the feed knob (fig.2C) the drip rate can be seen through the sight glass of the dome. The rate of oil feed will automatically increase or decrease inline with the air flow.

5. OPERATION

- 5.1. Place a 205ltr drum onto the trolley, locate the drum using the drum holder support (fig1.2) and secure with knob (fig.1.1).

5.2. Installing the pump

- 5.2.1. Remove the bung from the 2"BSP opening of the drum.
- 5.2.2. Slacken off the locking nut on the pump probe and insert the pump into the drum until the probe bottoms out, tighten the barrel nut and then tighten the locking nut to fix the pump to the drum.

5.3. Setting up the pump

- 5.3.1. Ensure that the air regulator valve is fully wound anti-clockwise and then connect the air supply onto the quick release connector on the air regulator.
- 5.3.2. Lift the knob on the regulator and slowly turn clockwise until the recommended operating pressure of 70psi is reached, push down on the regulator knob to lock the position.

Note: Check the system for leaks, should an air leak be discovered, release the pressure, disconnect the air line and repair/replace the joint or seal before continuing.

5.4. Operating the gun

WARNING! Ensure that the trigger is not depressed before opening the nozzle valve.

- 5.4.1. Press the Reset button for 1 sec to zero the display.
- 5.4.2. With the nozzle pointing into the receiving container, open the nozzle valve as shown in fig.4.
- 5.4.3. Depress the trigger and dispense the liquid the amount dispensed is shown on the display (fig.5.4).
- 5.4.4. Release trigger and close the nozzle valve.

5.5. Determining the Correction Factor

- 5.5.1. Dispense at least 1 litre of liquid into a calibrated container.
- 5.5.2. Record the quantity of liquid in the container and record the quantity of liquid dispensed as indicated on the meter display. Press the Move + Reset buttons (fig.5.1 and fig.5.2) simultaneously to display the current correction factor.

$$\frac{\text{Qty Dispensed}}{\text{Qty Indicated}} \times \text{Current Correction Factor} = \text{New Correction Factor.}$$

5.6. Programming the Correction Factor

- 5.6.1. Remove the rubber protective cover from the meter and unscrew the four phillips screws (fig.6) holding the digital meter, remove from the gun.
- 5.6.2. Press button "2" on the rear of the meter (fig.7.2) for 1 sec to enter the Correction Factor mode.
- 5.6.3. Press the Move button to select the digit to be changed, each press of the Move button will select the next digit.
- 5.6.4. Press the Reset button to add 1 on the digit, press as many times as required until the correct number is reached.
- 5.6.5. Press "2" for 1 sec to quit the Correction Factor mode.
- 5.6.6. Press the Move + Reset buttons simultaneously to display the new correction factor.

5.7. Changing the Units

Note: The meter is pre-set to display litres.

- 5.7.1. Press button "2" on the rear of the meter for 1 sec to enter the Correction Factor mode.
- 5.7.2. Press the Move button five times to select the units (fig.5.3).
- 5.7.3. Press the Reset button to scroll through the Units (L/Gal/PT/QT), select the Unit required.
- 5.7.4. Press "2" for 1 sec to quit the Correction Factor mode.

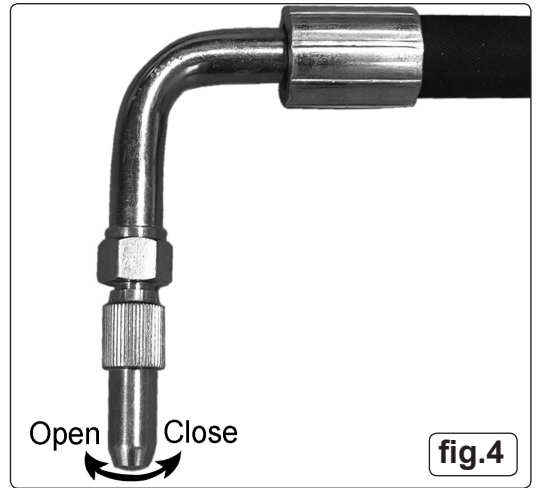


fig.4

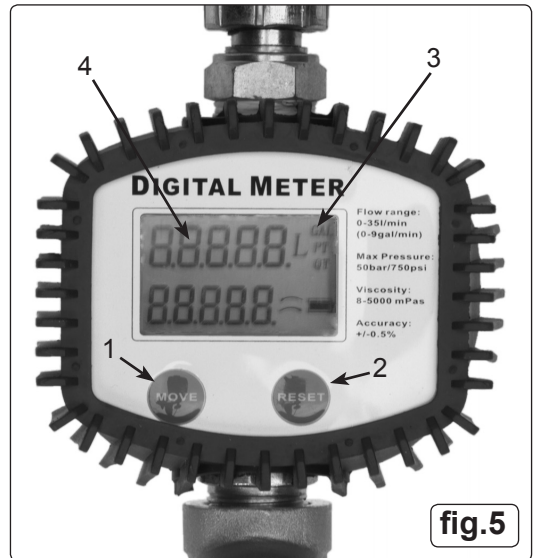


fig.5

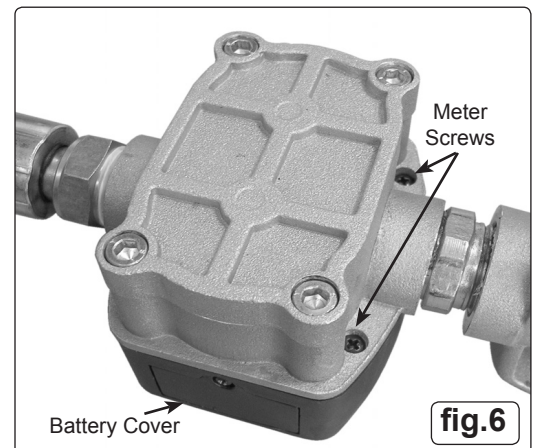


fig.6

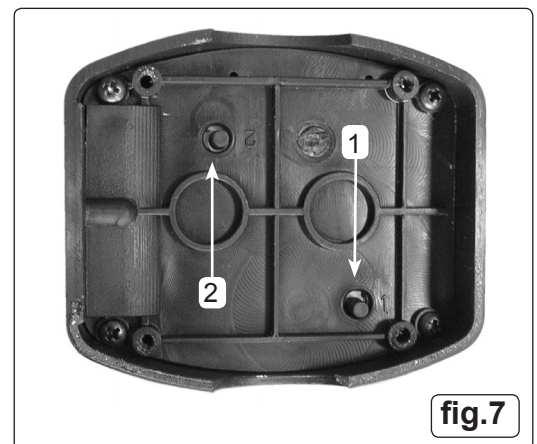


fig.7

6. MAINTENANCE

6.1. Changing the Digital Meter Battery

- 6.1.1. Remove the rubber protective cover from the meter.
- 6.1.2. Remove the screw and cover from the side of the meter.
- 6.1.3. Remove and replace battery (fig.8).
- 6.1.4. Replace cover and secure with screw.
- 6.1.5. Replace the protective rubber cover.

Note: If the LCD display does not activate, remove the meter as in section 5.6.1, press button 1 (fig.7.1) to reboot the meter.

- 6.2. Before every use visually check the supply hose for damage and check all joints for leaks, any damaged component must be replaced or leaks repaired before using.
 - 6.3. Check the nozzle valve for leaks, if it does not seal, replace before using.
 - 6.4. Drain air regulator water trap daily.
 - 6.5. Top up lubricator as required, using a quality air tool oil.
 - 6.6. To change the silencer, remove the circlip (fig.9) and remove the old silencer, place a new silencer into the recess and refit the circlip.
- Note:** For any other maintenance and repairs the unit should be returned to your Sealey dealer.



fig.8

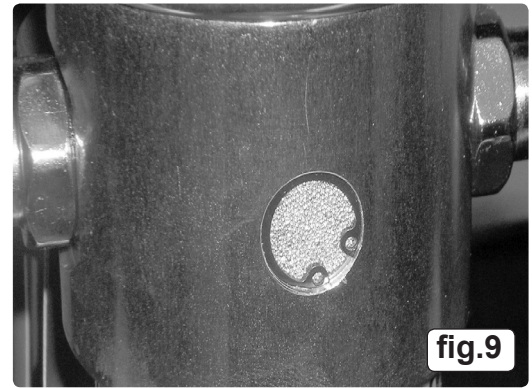


fig.9

Parts support is available for this product. To obtain a parts listing and/or diagram, please log on to www.sealey.co.uk, email sales@sealey.co.uk or telephone 01284 757500.

Environmental Protection



Recycle unwanted materials instead of disposing of them as waste. All tools, accessories and packaging should be sorted, taken to a recycling centre and disposed of in a manner which is compatible with the environment. When the product becomes completely unserviceable and requires disposal, drain off any fluids (if applicable) into approved containers and dispose of the product and the fluids according to local regulations.



WEEE Regulations

Dispose of this product at the end of its working life in compliance with the EU Directive on Waste Electrical and Electronic Equipment (WEEE). When the product is no longer required, it must be disposed of in an environmentally protective way. Contact your local solid waste authority for recycling information.



Battery Removal

Remove the battery as per the instructions in section 6.1. Dispose of it according to local government guidelines. Under the Waste Batteries and Accumulators Regulations 2009, Jack Sealey Ltd are required to inform potential purchasers of products containing batteries (as defined within these regulations), that they are registered with Valpak's registered compliance scheme. Jack Sealey Ltd's Batteries Producer Registration Number (BPRN) is BPRN00705.

NOTE: It is our policy to continually improve products and as such we reserve the right to alter data, specifications and component parts without prior notice.

IMPORTANT: No liability is accepted for incorrect use of this product.

WARRANTY: Guarantee is 12 months from purchase date, proof of which will be required for any claim.

INFORMATION: For a copy of our latest catalogue and promotions call us on 01284 757525 and leave your full name and address, including postcode.



Sole UK Distributor, Sealey Group,
Kempson Way, Suffolk Business Park,
Bury St. Edmunds, Suffolk,
IP32 7AR

 01284 757500

 01284 703534

 www.sealey.co.uk

 sales@sealey.co.uk