



DRAPER[®]

230V

TILLER

97927, 97929



These instructions accompanying the product are the original instructions. This document is part of the product, keep it for the life of the product passing it on to any subsequent holder of the product. Read all these instructions before assembling, operating or maintaining this product.

This manual has been compiled by Draper Tools describing the purpose for which the product has been designed, and contains all the necessary information to ensure its correct and safe use. By following all the general safety instructions contained in this manual, it will ensure both product and operator safety, together with longer life of the product itself.

All photographs and drawings in this manual are supplied by Draper Tools to help illustrate the operation of the product.

Whilst every effort has been made to ensure the accuracy of information contained in this manual, the Draper Tools policy of continuous improvement determines the right to make modifications without prior warning.

1. TITLE PAGE

1.1 INTRODUCTION:

USER MANUAL FOR: 230V Tiller

Stock No's: 97927, 97929

Part No's: GT800/360D, GT1500/450D

1.2 REVISIONS:

Date first published October 2020.

As our user manuals are continually updated, users should make sure that they use the very latest version.

Downloads are available from: <http://drapertools.com/manuals>

Draper Tools Limited
Hursley Road
Chandler's Ford
Eastleigh
Hampshire
SO53 1YF
UK

Website: drapertools.com

Product Help Line: +44 (0) 23 8049 4344

General Fax: +44 (0) 23 8026 0784

1.3 UNDERSTANDING THIS MANUALS SAFETY CONTENT:

Warning! – Information that draws attention to the risk of injury or death.

Important – Information that draws attention to the risk of damage to the product or surroundings.

1.4 COPYRIGHT © NOTICE:

Copyright © Draper Tools Limited.

Permission is granted to reproduce this publication for personal and educational use only.

Commercial copying, redistribution, hiring or lending is prohibited.

No part of this publication may be stored in a retrieval system or transmitted in any other form or means without written permission from Draper Tools Limited.

In all cases this copyright notice must remain intact.

2. CONTENTS

2.1 TABLE OF CONTENTS

1. TITLE PAGE

1.1	INTRODUCTION:.....	2
1.2	REVISIONS:.....	2
1.3	UNDERSTANDING THIS MANUALS SAFETY CONTENT:.....	2
1.4	COPYRIGHT © NOTICE:.....	2

3. WARRANTY

3.1	WARRANTY.....	4
-----	---------------	---

4. INTRODUCTION

4.1	SCOPE.....	5
4.2	SPECIFICATION.....	5
4.3	HANDLING AND STORAGE.....	5

5. HEALTH AND SAFETY INFORMATION

5.1	GENERAL SAFETY INSTRUCTIONS FOR POWER TOOL USE	6
5.2	ADDITIONAL SAFETY INSTRUCTIONS FOR TILLERS.....	7
5.3	RESIDUAL RISK.....	8
5.4	CONNECTION TO THE POWER SUPPLY.....	8

6. TECHNICAL DESCRIPTION

6.1	IDENTIFICATION.....	9
-----	---------------------	---

7. UNPACKING AND CHECKING

7.1	PACKAGING	10
7.2	WHAT'S IN THE BOX	10

8. ASSEMBLY

8.1	ASSEMBLING THE HANDLE SECTION	11
8.2	ASSEMBLING THE TRANSPORT WHEELS (97929)	13
8.3	INSTALLING AND REMOVING THE ROTORS	14

9. OPERATION

9.1	RAISE THE TRANSPORT WHEELS (97929).....	15
9.2	CABLE RESTRAINT	15
9.3	SWITCHING ON AND OFF.....	15

10. MAINTENANCE AND TROUBLESHOOTING

10.1	MAINTENANCE	16
10.2	TROUBLESHOOTING GUIDE.....	16

11. DISPOSAL

11.1	DISPOSAL	17
------	----------------	----

12. EXPLANATION OF SYMBOLS

12.1	EXPLANATION OF SYMBOLS.....	18
------	-----------------------------	----

3. WARRANTY

3.1 WARRANTY

Draper tools have been carefully tested and inspected before shipment and are guaranteed to be free from defective materials and workmanship.

Should the tool develop a fault, please return the complete tool to your nearest distributor or contact:

Draper Tools Limited, Chandler's Ford, Eastleigh, Hampshire, SO53 1YF. England.

Telephone Sales Desk: +44 (0) 8049 4333 or Product Help Line +44 (0) 23 8049 4344.

A proof of purchase **must** be provided with the tool.

If upon inspection it is found that the fault occurring is due to defective materials or workmanship, repairs will be carried out free of charge. This warranty period covering labour is 12 months from the date of purchase except where tools are hired out when the warranty period is 90 days from the date of purchase. The warranty is extended to 24 months for parts only. This warranty does not apply to any consumable parts, any type of battery or normal wear and tear, nor does it cover any damage caused by misuse, careless or unsafe handling, alterations, accidents, or repairs attempted or made by any personnel other than the authorised Draper warranty repair agent.

Note: If the tool is found not to be within the terms of warranty, repairs and carriage charges will be quoted and made accordingly.

This warranty applies in lieu of any other warranty expressed or implied and variations of its terms are not authorised.

Your Draper warranty is not effective unless you can produce upon request a dated receipt or invoice to verify your proof of purchase within the warranty period.

Please note that this warranty is an additional benefit and does not affect your statutory rights.

Draper Tools Limited.

4. INTRODUCTION

4.1 SCOPE

This manual is intended to give the user an overview of the function and controls of this product to aid its safe and effective use. Any application other than that it was intended for, is considered misuse.

4.2 SPECIFICATION

Stock No.	97927	97929
Part No.	GT800/360D	GT1500/450D
Rated voltage:	230V~50Hz	230V~50Hz
Rated input:	800W	1500W
Speed (no load):	400r/min	400r/min
Working width:	360mm	330 – 450mm
Working depth:	220mm	220mm
Rotors:	4 × 205mmØ	6 × 205mmØ (variable width)
Sound pressure level (LpA):	81.3dB(A)	80.4dB(A)
Sound power level (LWA):	91.64dB(A)	91.57dB(A)
Uncertainty (K):	3dB(A)	3dB(A)
Vibration level:			
Left hand	0.764m/s ²	0.968m/s ²
Right hand	0.798m/s ²	0.947m/s ²
Uncertainty (K):	1.5dB(A)	1.5dB(A)
Power supply cable length:.....	10M	10M
Ingress protection class:.....	IPX4	IPX4
Weight:	8kg	11kg

4.3 HANDLING AND STORAGE

- Care must be taken when handling this product. Dropping this power tool could have an effect on its accuracy and could also result in personal injury. This product is not a toy and must be respected.
- Environmental conditions can have a detrimental effect on this product if neglected. Exposure to damp air can gradually corrode components. If the product is unprotected from dust and debris, components will become clogged. If not cleaned and maintained correctly or regularly, the machine will not perform at its best.

5. HEALTH AND SAFETY INFORMATION

5.1 GENERAL SAFETY INSTRUCTIONS FOR POWER TOOL USE

When using any type of power tool there are steps that should be taken to make sure that you, as the user, remain safe.

Common sense and a respect for the tool will help reduce the risk of injury.

Read the instruction manual fully. Do not attempt any operation until you have read and understood this manual.

Most important you must know how to safely start and stop this machine, especially in an emergency.

Keep the work area tidy and clean. Attempting to clear clutter from around the machine during use will reduce your concentration. Mess on the floor creates a trip hazard. Any liquid spilt on the floor could result in you slipping.

Find a suitable location. If the machine is bench mounted, the location should provide good natural light or artificial lighting as a replacement. Avoid damp and dust locations as it will have a negative effect on the machine's performance. If the machine is portable do not expose the tool to rain. In all cases do not operate power tools near any flammable materials.

Keep bystanders away. Children, onlookers and passers by must be restricted from entering the work area for their own protection. The barrier must extend a suitable distance from the tool user.

Unplug and house all power tools that are not in use. A power tool should never be left unattended while connected to the power supply. They must be housed in a suitable location, away locked up and from children. This includes battery chargers.

Do not overload or misuse the tool. All tools are designed for a purpose and are limited to what they are capable of doing. Do not attempt to use a power tool (or adapt it in any way) for an application it is not designed for. Select a tool appropriate for the size of the job. Overloading a tool will result in tool failure and user injury. This covers the use of accessories.

Dress properly. Loose clothing, long hair and jewellery are all dangerous because they can become entangled in moving machinery. This can also result in parts of body being pulled into the machine. Clothing should be close fitted, with any long hair tied back and jewellery and neck ties removed. Footwear must be fully enclosed and have a non-slip sole.

Wear personal protective equipment (PPE). Dust, noise, vibration and swarf can all be dangerous if not suitably protected against. If the work involving the power tool creates dust or fumes wear a dust mask. Vibration to the hand, caused by operating some tools for longer periods must be protected against. Wear vibration reducing gloves and allow long breaks between uses. Protect against dust and swarf by wearing approved safety goggles or a face shield. These are some of the more common hazards and preventions, however, always find out what hazards are associated with the machine/work process and wear the most suitable protective equipment available.

Do not breathe contaminated air. If the work creates dust or fumes connect the machine (if possible) to an extraction system either locally or remotely. Working outdoors can also help if possible.

Move the machine as instructed. If the machine is hand held, do not carry it by the power supply cable. If the product is heavy, employ a second or third person to help move it safely or use a mechanical device. Always refer to the instructions for the correct method.

Do not overreach. Extending your body too far can result in a loss of balance and you falling. This could be from a height or onto a machine and will result in injury.

Maintain your tools correctly. A well maintained tool will do the job safely. Replace any damaged or missing parts immediately with original parts from the manufacturer. As applicable, keep blades sharp, moving parts clean, oiled or greased, handles clean, and emergency devices working.

Wait for the machine to stop. Unless the machine is fitted with a safety brake, some parts may continue to move due to momentum. Wait for all parts to stop, then unplug it from the power supply

5. HEALTH AND SAFETY INFORMATION

before making any adjustments, carrying out maintenance operations or just finishing using the tool.

Remove and check setting tools. Some machinery requires the use of additional tools or keys to set, load or adjust the power tool. Before starting the power tool always check to make certain they have been removed and are safely away from the machine.

Prevent unintentional starting. Before plugging any machine in to the power supply, make sure the switch is in the OFF position. If the machine is portable, do not hold the machine near the switch and take care when putting the machine down, that nothing can operate the switch.

Carefully select an extension lead. Some machines are not suitable for use with extension leads. If the tool is designed for use outdoors, use an extension lead also suitable for that environment. When using an extended lead, select one capable of handling the current (amps) drawn by the machine in use. Fully extend the lead regardless of the distance between the power supply and the tool. Excess current (amps) and a coiled extension lead will both cause the cable to heat up and can result in fire.

Concentrate and stay alert. Distractions are likely to cause an accident. Never operate a power tool if you are under the influence of drugs (prescription or otherwise), including alcohol or if you are feeling tired. Being disorientated will result in an accident.

Have this tool repaired by a qualified person. This tool is designed to conform to the relevant international and local standards and as such should be maintained and repaired by someone qualified, using only original parts supplied by the manufacturer. This will ensure the tool remains safe to use.

5.2 ADDITIONAL SAFETY INSTRUCTIONS FOR TILLERS

Warning! Read the instructions carefully. Be familiar with the controls and the proper use of the equipment.

- Never allow children or people unfamiliar with these instructions to use the machine. Local regulations can restrict the age of the operator.
- Never work while people, especially children, or pets are nearby. Keep in mind that the operator or user is responsible for accidents or hazards occurring to other people or their property.
- While working always wear substantial safety footwear/personal protective equipment. Do not operate the equipment when barefoot or wearing open sandals.
- Thoroughly inspect the area where the equipment is to be used and remove all objects which can be thrown up by the machine.
- Before using, always visually inspect to see that the tools are not worn out or damaged. Replace worn out or damaged elements and bolts in set to preserve balance.
- Work only in daylight or in good artificial light.
- Always be sure of your footing on slopes.
- Walk, never run with the machine.
- For wheeled rotary machines, work across the slopes, never up and down.
- Use extreme caution when reversing or pulling the machine towards you.
- Do not put your hands or feet near or under rotating parts.
- Never pick up or carry a machine while the engine is running.
- Stop the engine whenever you leave the machine and before cleaning/carrying out maintenance.
- Keep all nuts, bolts and screws tight to ensure the equipment is in safe working condition.
- Replace worn or damaged parts for safety.
- Keep the tiller in good operating condition. Operating a tiller in poor or questionable condition

5. HEALTH AND SAFETY INFORMATION

could result in serious injury.

- Be sure all safety devices are in working order and warning labels are in place. These items are installed for your safety.
- Be sure the safety covers are in place.
- Objects hit by the rotating tines can be thrown from the tiller with great force and may cause severe injury. Before tilling, clear the tilling area of sticks, large stones, wire, glass, etc.
- Pieces thrown from worn or damaged tines can cause serious injury. Always inspect the tines before using the tiller.
- Be very careful when changing the direction of the tiller on a slope.
- Do not use the tiller on a slope of more than 10%.
- Adjust rotating depth according to the condition of the ground. Hoe hard ground in progressive stages.
- Do not work on soggy ground; lumps of earth can be caught by the hoeing assembly and thrown out. If foreign bodies, e.g. stones, are encountered by the hoeing device, stop the machine, switch it off and check it for damage.
- Do not work on any surfaces below which gas or power lines, or similar, are located.
- Do not work close to trees otherwise the machine may cut through the roots.

5.3 RESIDUAL RISK

Important: Although the safety instructions and operating manuals for our tools contain extensive instructions of safe working with power tools, every power tool involves a certain residual risk which can not be completely excluded by safety mechanisms. Power tools must therefore always be operated with caution!

5.4 CONNECTION TO THE POWER SUPPLY

Caution: Risk of electric shock. Do not open.

This appliance is supplied with an approved plug and cable for your safety. The value of the fuse fitted is marked on the pin face of the plug. Should the fuse need replacing, ensure the substitute is of the correct rating, approved to BS1362 and ASTA or BS Kite marked.

ASTA 

BSI 


The fuse cover is removable with a small plain slot screwdriver. Ensure the fuse cover is replaced before attempting to connect the plug to an electrical outlet. If the cover is missing, a replacement must be obtained or the plug replaced with a suitable type.

If a replacement plug is to be fitted this must be carried out by a qualified electrician.

The damaged or incomplete plug, when cut from the cable should be disabled to prevent connection to a live electrical outlet.

This appliance is Class II† and is designed for connection to a power supply matching that detailed on the rating label and compatible with the plug fitted.

If an extension lead is required, use an approved and compatible lead rated for this appliance. Follow all the instructions supplied with the extension lead.

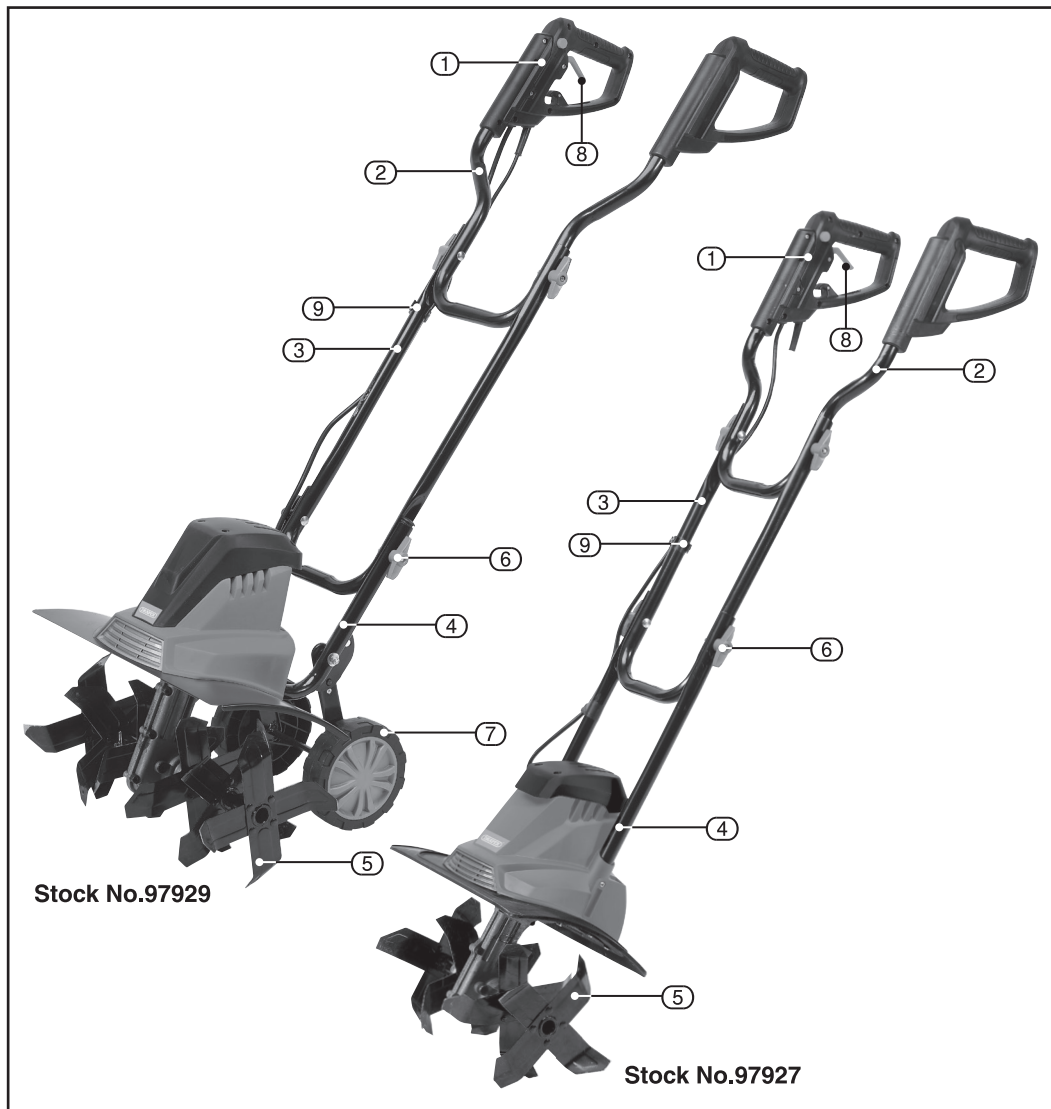
†*Double insulated* : This product requires no earth connection as supplementary insulation is applied to the basic insulation to protect against electric shock in the event of failure of the basic insulation.

IMPORTANT

If using an extension lead, follow the instructions that came with your lead regarding maximum load while cable is wound. If in doubt, ensure that the entire cable is unwound. Using a coiled extension lead will generate heat which could melt the lead and cause a fire.

6. TECHNICAL DESCRIPTION

6.1 IDENTIFICATION



Stock No.97929

Stock No.97927

- ① Handle grips.
- ② Upper handle frame.
- ③ Middle handle frame.
- ④ Lower handle frame.
- ⑤ Rotors.
- ⑥ Handle locking bolts.
- ⑦ Transport wheels (*97929 only*).
- ⑧ ON/OFF trigger switch.
- ⑨ Cable grips.

7. UNPACKING AND CHECKING

7.1 PACKAGING

Carefully remove the product from the packaging and examine it for any sign of damage that may have happened during shipping. Lay the contents out and check them against the parts shown below. If any part is damaged or missing, please contact the Draper Help Line (the telephone number appears on the Title page) and do not attempt to use the product.

The packaging material should be retained at least during the warranty period, in case the machine needs to be returned for repair.

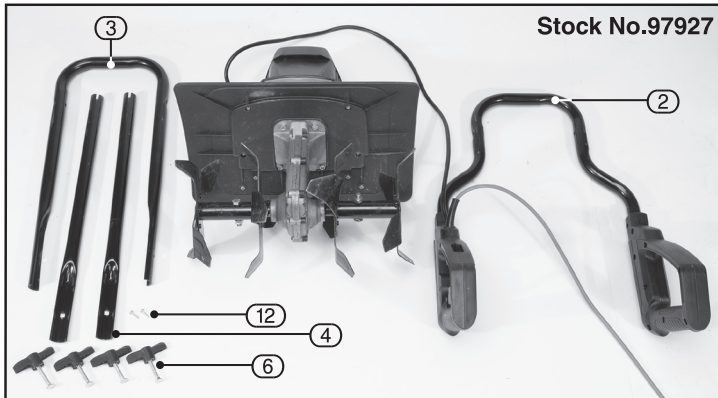
Warning!

- Some of the packaging materials used may be harmful to children. Do not leave any of these materials in the reach of children.
- If any of the packaging is to be thrown away, make sure they are disposed of correctly, according to local regulations.

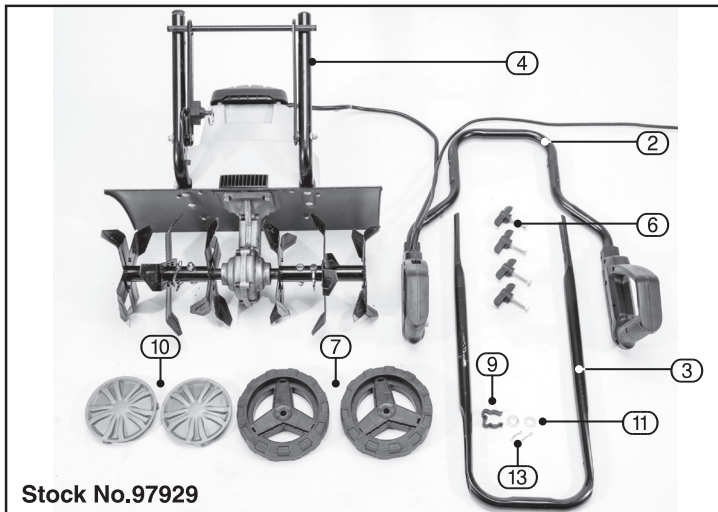
7.2 WHAT'S IN THE BOX

As well as the main product, there are several parts not fitted or attached to it.

Note: For details of our full range of accessories and consumables, please visit drapertools.com



- (2) Upper handle frame.
- (3) Middle handle frame.
- (4) Lower handle frame.
- (6) Handle locking bolts.
- (12) Screws.



- (2) Upper handle frame.
- (3) Middle handle frame.
- (4) Lower handle frame.
- (6) Handle locking bolts.
- (7) Transport wheels.
- (9) Cable clips.
- (10) Wheel caps.
- (11) Washers.
- (13) Locking pins.

8. ASSEMBLY

8.1 ASSEMBLING THE HANDLE SECTION – FIGS.1 – 8

97927

- Insert the two lower handle section bars (4) into the two mounting holes in the motor housing and secure in place with the two supplied screws (12) (fig.1).

97929

- Attach the middle handle section (3) to the lower section (4) using the handle locking bolts (6) (fig.3).

97927/97929

- In the same way, continue to assemble the upper (2) and middle (3) handle sections using the handle locking bolts (6), as indicated throughout figs.3 –7.

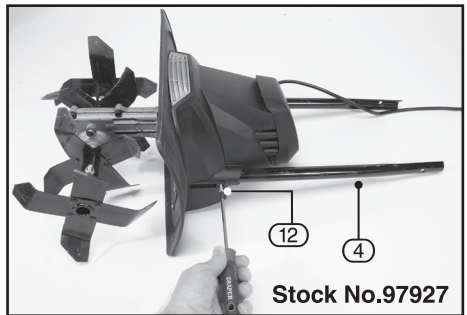


FIG.1



FIG.2

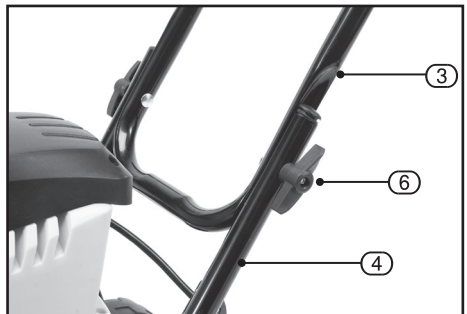


FIG.3



FIG.4

8. ASSEMBLY

- Fasten loose cables to the assembled handle sections using the cable clips (9) (fig.8).



FIG.5



FIG.6



FIG.7

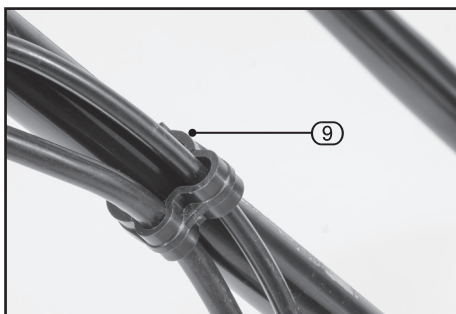


FIG.8

8. ASSEMBLY

8.2 ASSEMBLING THE TRANSPORT WHEELS (97929) – FIGS.9 – 12

- The transport wheels are mounted on a swinging axle (7.1) that can be raised when the tiller is in operation.
- The swing axle has a sprung loaded locking pull-ring (7.2) that enables the axle to be swung into the relevant position.
- Slide each wheel (7) onto each end of the axle.
- Thread a washer (11) in place over the end of the axle for each wheel (fig.11).
- Insert the 'R' type locking pins (13) through the holes on the end of each axle to secure the wheels in place.
- Press-fit each wheel cap (10) in place (fig.12).

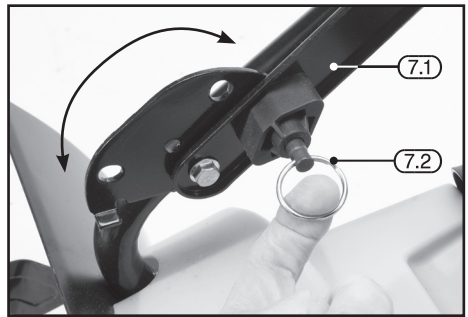


FIG.9

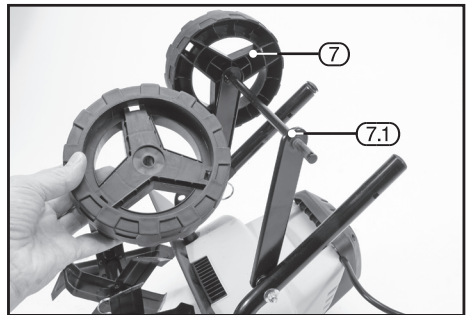


FIG.10

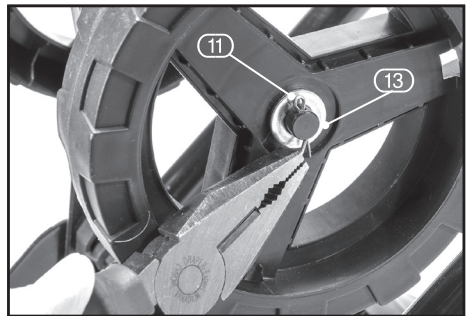


FIG.11

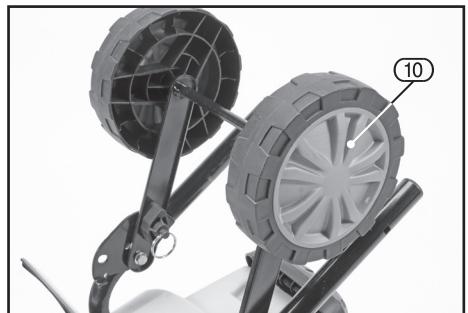


FIG.12

8. ASSEMBLY

8.3 INSTALLING AND REMOVING THE ROTORS – FIGS.13 – 16

The rotors (5) are fitted to the drive shaft using a nut and bolt for each rotor section (fig.13).

97929 features an extra 2 outer rotors (5.1) that can be quickly removed/added if required (fig.14).

- To remove the outer rotors, un-fasten the locking pins (5.2). The outer rotors can then be pulled away from the machine (fig.16).

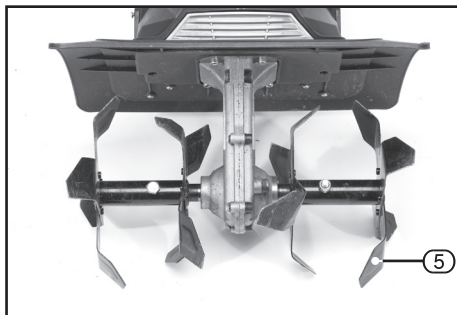


FIG.13

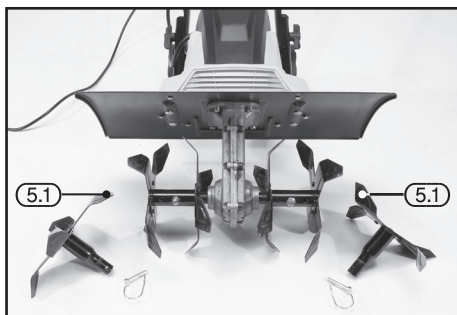


FIG.14

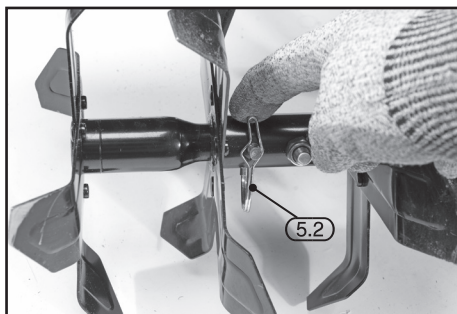


FIG.15

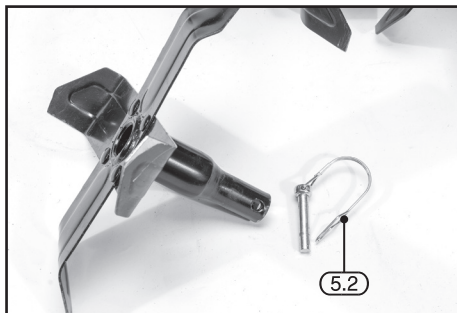


FIG.16

9. OPERATION

9.1 RAISE THE TRANSPORT WHEELS (97929) – FIGS.17 – 18

Make sure the wheel axle (7.1) is raised before you use the tiller.

- Pull out the locking pull-ring (7.2) and lift the wheel axle to the upper position.
- Release the ring to lock the axle in place with the wheels off the ground.

9.2 CABLE RESTRAINT – FIG.19

This is an important safety device, it prevents pressure being put onto the cable connections.

9.3 SWITCHING ON AND OFF – FIG.20

Press the safety button (1.2) and at the same time squeeze the trigger (8). The motor will start. Now release the safety on button but continue to squeeze the trigger.

As soon as the trigger is released, the motor will stop.

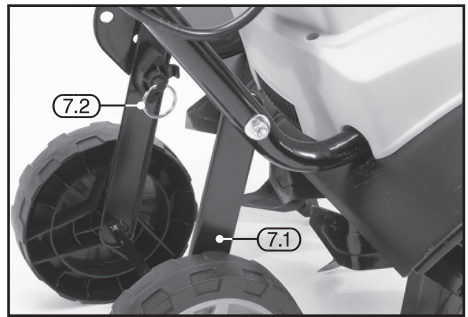


FIG.17

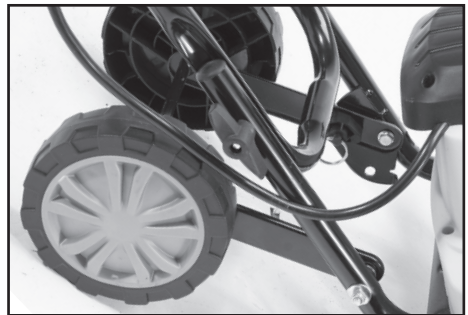


FIG.18

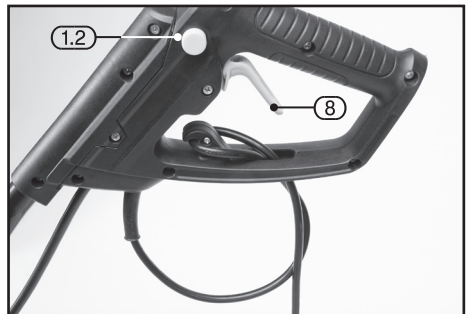


FIG.19

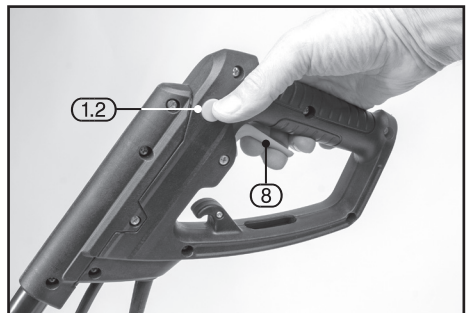


FIG.20

10. MAINTENANCE AND TROUBLESHOOTING

10.1 MAINTENANCE

Regular inspection and cleaning reduces the necessity for maintenance operations and will keep your tool in good working condition.

The motor must be correctly ventilated during tool operation. Avoid blocking the air inlets and vacuum the ventilation slots regularly.

10.2 TROUBLESHOOTING GUIDE

Problem	Possible Cause	Remedy
Motor does not start.	1. Fuse.	1. Replace/reset 13 amp time delay fuse or circuit breaker.
	2. Unsure.	2. Return to an authorised service agent for diagnosis.
	3. Overheat protection activated.	3. Working depth too large, set to a shorter depth.
4. Soil too hard, select correct working depth and move forward and backward several times while slowing down the operation speed.		
	5. Wait until motor cools down for approx. 15 minutes before re-use.	
Abnormal noise.	1. Rotor jammed.	1. Turn off and remove blockage.
	2. Lubrication running out.	2. Return to an authorised service agent for diagnosis.
	3. Bolts, nuts or other components are loose.	3. Tighten all components and arrange repair if noises continue.
Abnormal vibrations.	1. Rotors damaged or worn.	1. Replace rotors.
	2. Working depth too large.	2. Set to correct depth.
Poor results.	1. Work depth too small.	1. Set to correct depth.
	2. Rotors damaged or worn.	2. Replace rotors.

11. DISPOSAL

11.1 DISPOSAL

- At the end of the machine's working life, or when it can no longer be repaired, ensure that it is disposed of according to national regulations.
- Contact your local authority for details of collection schemes in your area.

In all circumstances:

- Do not dispose of power tools with domestic waste.
- Do not incinerate.
- Do not dispose of WEEE* as unsorted municipal waste.



* *Waste Electrical & Electronic Equipment.*

12. EXPLANATION OF SYMBOLS

12.1 EXPLANATION OF SYMBOLS



Read the instruction manual.



Wear face mask and safety glasses.



Wear ear defenders.



Wear suitable protective footwear.



Warning!



Warning! Keep bystanders away.



Warning! Keep bystanders away.



Warning! Keep out of the reach of children.



Warning! Blades may still spin after switching off.



Warning! Danger of crush injury.



Warning! Danger of foot injury.



Class II construction (Double insulated).



WEEE – Waste Electrical & Electronic Equipment.
Do not dispose of Waste Electrical & Electronic Equipment in with domestic rubbish.



Continuous A-Weighted Sound Pressure Level.



Water ingress protection rating.

NOTES

CONTACTS

Draper Tools Limited, Hursley Road,
Chandler's Ford, Eastleigh, Hampshire. SO53 1YF. U.K.

Help Line: (023) 8049 4344

Sales Desk: (023) 8049 4333

Internet: drapertools.com

E-mail: sales@drapertools.com

General Enquiries: (023) 8026 6355

Service/Warranty Repair Agent:

For aftersales servicing or warranty repairs, please contact the Draper Tools Help Line for details of an agent in your local area.

YOUR DRAPER STOCKIST

TACH1020

©Published by Draper Tools Limited.

No part of this publication may be reproduced, stored in a retrieval system or transmitted in any form or by any means, electronic, mechanical photocopying, recording or otherwise without prior permission in writing from Draper Tools Ltd.