

## Water Pump Removal Tool Kit Volkswagen T5 & Touareg 2.5D

# LASER<sup>®</sup>

Instruction

4639



5 018341 046392 >



When you have finished with this leaflet please recycle it

[www.lasertools.co.uk](http://www.lasertools.co.uk)

**TOOL CONNECTION**  
The Complete Connection

Distributed by The Tool Connection Ltd  
Kineton Road, Southam, Warwickshire CV47 0DR  
T +44 (0) 1926 815000 F +44 (0) 1926 815888  
info@toolconnection.co.uk [www.toolconnection.co.uk](http://www.toolconnection.co.uk)

### Guarantee

If this product fails through faulty materials or workmanship, contact our service department direct on: **+44 (0) 1926 818186**. Normal wear & tear are excluded as are consumable items & abuse.

# Water Pump Removal Tool Kit

## Volkswagen T5 & Touareg 2.5D

Engine codes BAC | BLK | BPD | BPE

Before carrying out repairs release the pressure and temperature if necessary.

### Contents

ITEM	DESCRIPTION	OEM CODE
A	Special Wrench	T10225
B	Puller	T10221A
C	Adjuster Puller	T10222A

### Instructions

Engine Codes **BAC | BLK ONLY**

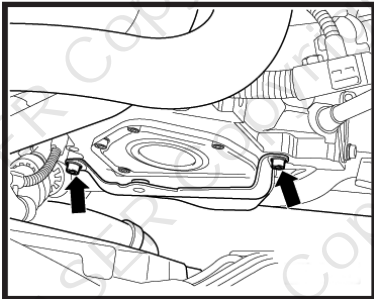
Loosen the exhaust pipe and starter catalytic converter from the Turbo Charger and Gearbox. (The catalytic converter can stay in situ).

Engine Codes **BPD | BPE ONLY**

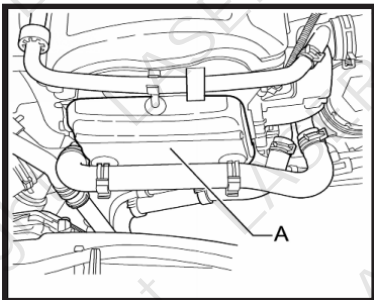
Remove exhaust gas recirculation cooler and particulate filter

### ALL ENGINES

1. Drain coolant
2. Remove coolant drain plugs
3. Remove coolant pump cover
4. Remove noise insulation from No 1 cylinder end of engine block

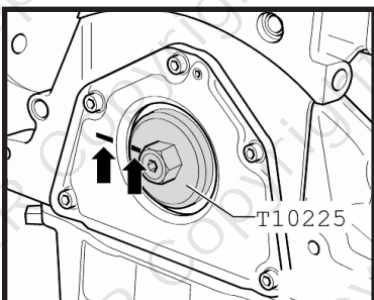


5. Unscrew bolts and remove bracket from noise insulation cover



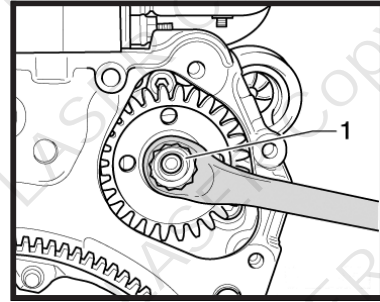
**NB Always renew sealing cover after removal**

6. Using Special wrench (A) bolt onto crankshaft by turning bolt through the centre of the tool and into crankshaft and tighten to 20Nm (Only one position will allow this bolt to be fixed so correct alignment is assured)



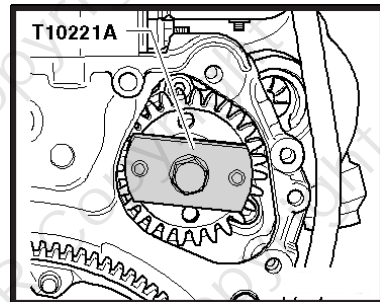
7. Ensure engine is positioned at TDC

8. Using suitable spanner or socket loosen the Coolant Pump nut

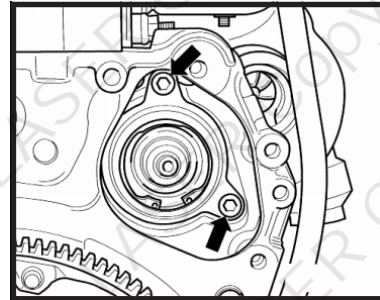


**NB** Early engines in this range had insufficient clearance behind the coolant pump gear wheel to fit the puller. In this case, release the gear wheel by tapping lightly on the sides of the gear wheel with a hammer and copper drift.

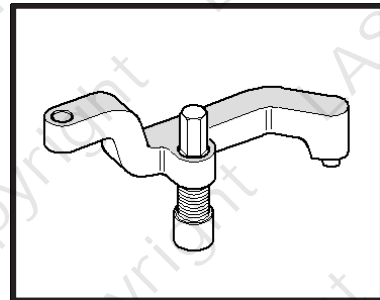
10. Fit Puller (B) as shown and turn hexagonal nut (with suitable spanner) clockwise until the gear wheel can be removed from the pump



11. Unscrew coolant pump securing bolts as shown



12. Before fitting puller (C) adjust it by turning out or in until the hexagonal of the spindle aligns with tool surface (shadowed)



13. Fit adjuster puller (C) by turning bolt clockwise until the puller first contacts with the cylinder block and then subsequently pulls the coolant pump out.

