

Incorrect or out of phase engine timing can result in damage to the valves. The Tool Connection cannot be held responsible for any damage caused by using these tools in anyway.

Safety Precautions – Please read

- Disconnect the battery earth leads (check radio code is available)
- Remove spark or glow plugs to make the engine turn easier
- Do not use cleaning fluids on belts, sprockets or rollers
- Always make a note of the route of the auxiliary drive belt before removal
- Turn the engine in the normal direction (clockwise unless stated otherwise)
- Do not turn the camshaft, crankshaft or diesel injection pump once the timing chain has been removed (unless specifically stated)
- Do not use the timing chain to lock the engine when slackening or tightening crankshaft pulley bolts
- Do not turn the crankshaft or camshaft when the timing belt/chain has been removed
- Mark the direction of the chain before removing
- It is always recommended to turn the engine slowly, by hand and to re-check the camshaft and crankshaft timing positions.
- Crankshafts and Camshafts may only be turned with the chain drive mechanism fully installed.
- Do not turn crankshaft via camshaft or other gears
- Check the diesel injection pump timing after replacing the chain
- Observe all tightening torques
- Always refer to the vehicle manufacturer's service manual or a suitable proprietary instruction book
- Incorrect or out of phase engine timing can result in damage to the valves

LASER®

Part No. 4417

Engine Timing Tools

Vauxhall/Opel

1.6 16v



Guarantee

If this product fails through faulty materials or workmanship, contact our service department direct on: +44 (0) 1926 818186. Normal wear and tear are excluded as are consumable items and abuse.



TOOL CONNECTION
The Complete Connection

Distributed by The Tool Connection Ltd
Kineton Road, Southam, Warwickshire CV47 0DR
T +44 (0) 1926 815000 F +44 (0) 1926 815888
info@toolconnection.co.uk www.toolconnection.co.uk

www.lasertools.co.uk

Incorrect or out of phase engine timing can result in damage to the valves. The Tool Connection cannot be held responsible for any damage caused by using these tools in anyway.

Safety Precautions – Please read

- Disconnect the battery earth leads (check radio code is available)
- Remove spark or glow plugs to make the engine turn easier
- Do not use cleaning fluids on belts, sprockets or rollers
- Always make a note of the route of the auxiliary drive belt before removal
- Turn the engine in the normal direction (clockwise unless stated otherwise)
- Do not turn the camshaft, crankshaft or diesel injection pump once the timing chain has been removed (unless specifically stated)
- Do not use the timing chain to lock the engine when slackening or tightening crankshaft pulley bolts
- Do not turn the crankshaft or camshaft when the timing belt/chain has been removed
- Mark the direction of the chain before removing
- It is always recommended to turn the engine slowly, by hand and to re-check the camshaft and crankshaft timing positions.
- Crankshafts and Camshafts may only be turned with the chain drive mechanism fully installed.
- Do not turn crankshaft via camshaft or other gears
- Check the diesel injection pump timing after replacing the chain
- Observe all tightening torques
- Always refer to the vehicle manufacturer's service manual or a suitable proprietary instruction book
- Incorrect or out of phase engine timing can result in damage to the valves

LASER®

Part No. 4417

Engine Timing Tools

Vauxhall/Opel

1.6 16v



Guarantee

If this product fails through faulty materials or workmanship, contact our service department direct on: +44 (0) 1926 818186. Normal wear and tear are excluded as are consumable items and abuse.



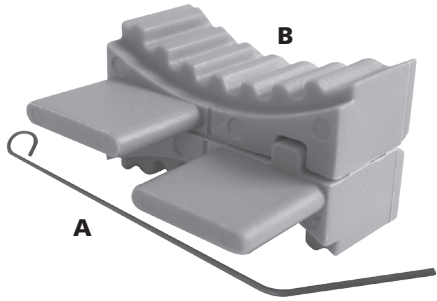
TOOL CONNECTION
The Complete Connection

Distributed by The Tool Connection Ltd
Kineton Road, Southam, Warwickshire CV47 0DR
T +44 (0) 1926 815000 F +44 (0) 1926 815888
info@toolconnection.co.uk www.toolconnection.co.uk

www.lasertools.co.uk

www.lasertools.co.uk

Plan Layout



Ref	OEM Code	Description
A	21-210 303-507	Fixing Pin
B	21-163 303-620	Twin Cam Pulley Locking Tool

Camshaft Alignment Tool

Instructions for use – Always refer to the vehicle manufacturer's service manual or a suitable proprietary instruction book.

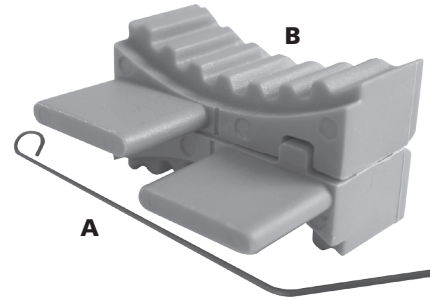
Warning – Incorrect or out of phase engine timing can result in damage to the valves. It is always recommended to turn the engine slowly, by hand, and to re-check the camshaft and crankshaft timing positions.

Turn the crankshaft clockwise to TDC on No1 cylinder ensuring all timing marks are aligned. This tool is inserted between the two camshafts and locked into place by turning the tensioner pulley clockwise until the locking pin can be inserted.

The timing belt can then be removed.

Always remember to mark the direction of rotation on the belt with chalk if the belt is to be re-used.

Plan Layout



Ref	OEM Code	Description
A	21-210 303-507	Fixing Pin
B	21-163 303-620	Twin Cam Pulley Locking Tool

Camshaft Alignment Tool

Instructions for use – Always refer to the vehicle manufacturer's service manual or a suitable proprietary instruction book.

Warning – Incorrect or out of phase engine timing can result in damage to the valves. It is always recommended to turn the engine slowly, by hand, and to re-check the camshaft and crankshaft timing positions.

Turn the crankshaft clockwise to TDC on No1 cylinder ensuring all timing marks are aligned. This tool is inserted between the two camshafts and locked into place by turning the tensioner pulley clockwise until the locking pin can be inserted.

The timing belt can then be removed.

Always remember to mark the direction of rotation on the belt with chalk if the belt is to be re-used.

Applications

Manufacturer	Model	Engine Code	Year
Vauxhall/Opel	Astra-G 1, 6 16v	Z16 LER	2003- 2008
		Z16 LET	
		Z16 XE1	
		Z16 XEP	
Astra-H 1, 6 16v/ Turbo	Astra-H 1, 6 16v/ Turbo	Z16 LER	2003- 2008
		Z16 LET	
		Z16 XE1	
		Z16 XEP	
Astra-H 1, 6 16v/ Turbo	Astra-H 1, 6 16v/ Turbo	Z16 LER	2003- 2008
		Z16 LET	
		Z16 XE1	
		Z16 XEP	
Astra-H 1, 6 16v/ Turbo	Astra-H 1, 6 16v/ Turbo	Z16 LER	2003- 2008
		Z16 LET	
		Z16 XE1	
		Z16 XEP	



Applications

Manufacturer	Model	Engine Code	Year
Vauxhall/Opel	Astra-G 1, 6 16v	Z16 LER	2003- 2008
		Z16 LET	
		Z16 XE1	
		Z16 XEP	
Astra-H 1, 6 16v/ Turbo	Astra-H 1, 6 16v/ Turbo	Z16 LER	2003- 2008
		Z16 LET	
		Z16 XE1	
		Z16 XEP	
Astra-H 1, 6 16v/ Turbo	Astra-H 1, 6 16v/ Turbo	Z16 LER	2003- 2008
		Z16 LET	
		Z16 XE1	
		Z16 XEP	
Astra-H 1, 6 16v/ Turbo	Astra-H 1, 6 16v/ Turbo	Z16 LER	2003- 2008
		Z16 LET	
		Z16 XE1	
		Z16 XEP	

