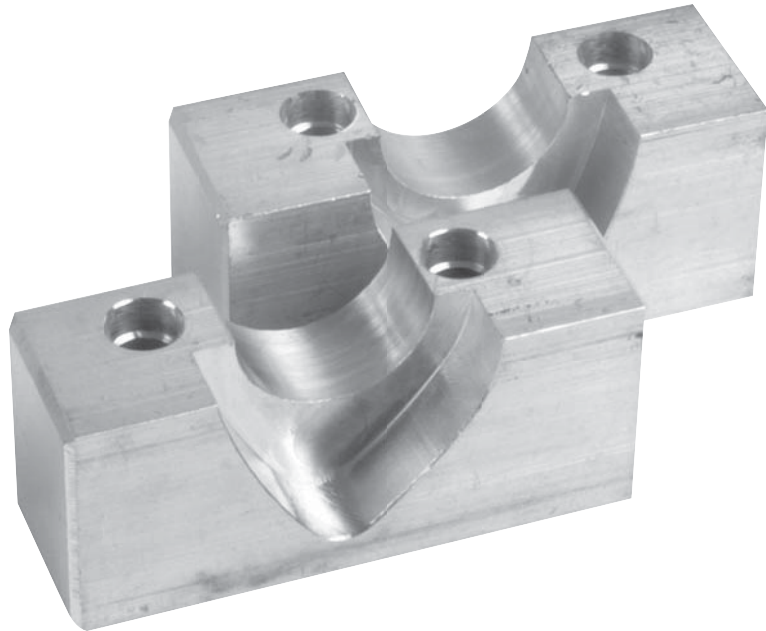


Application

LASER[®]

Camshaft Locking Tools



www.lasertools.co.uk



Distributed by The Tool Connection Ltd
Kineton Road, Southam, Warwickshire CV47 0DR
T +44 (0) 1926 815000 F +44 (0) 1926 815888
info@toolconnection.co.uk www.toolconnection.co.uk



When you have finished with this packaging please recycle it

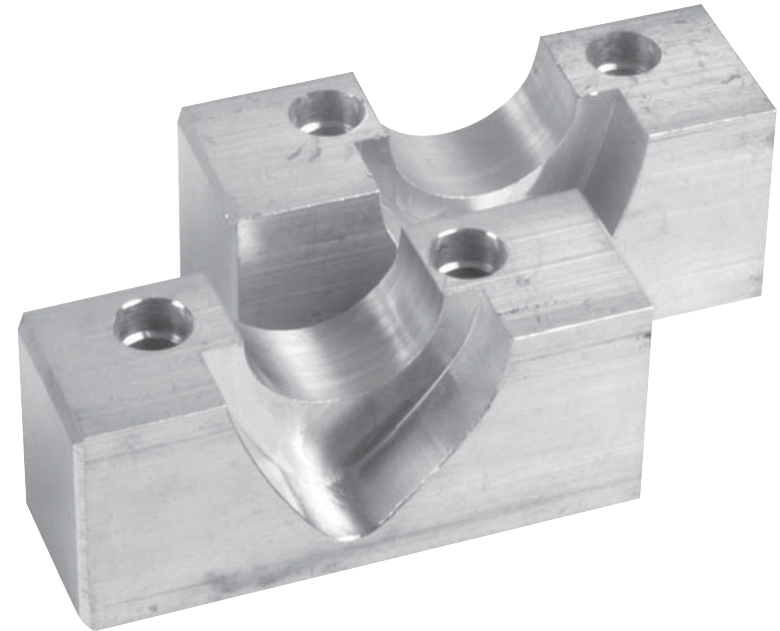
Guarantee

If this product fails through faulty materials or workmanship, contact our service department direct on: **+44 (0) 1926 818186**. Normal wear & tear are excluded as are consumable items & abuse.

Application

LASER[®]

Camshaft Locking Tools



www.lasertools.co.uk



Distributed by The Tool Connection Ltd
Kineton Road, Southam, Warwickshire CV47 0DR
T +44 (0) 1926 815000 F +44 (0) 1926 815888
info@toolconnection.co.uk www.toolconnection.co.uk



When you have finished with this packaging please recycle it

Guarantee

If this product fails through faulty materials or workmanship, contact our service department direct on: **+44 (0) 1926 818186**. Normal wear & tear are excluded as are consumable items & abuse.

Camshaft Locking Tools

Alfa Romeo	156 V6 24v 2.5 156 GTA 3.2 166 V6 24v 2.5 166 V6 24v 3.0 GTV V6 24v 3.0	1997<	A1 Inlet No1 Cylinder A2 Exhaust No1 Cylinder A3 Exhaust No4 Cylinder A4 Inlet No 6 Cylinder	3627
Alfa Romeo	145/146 1.8 & 2.0 Twin Spark 155/156/Spider GTV 2.0 16v	1996< 1995<	B1 Exhaust No3 Cylinder B2 Inlet No2 Cylinder	3628
Alfa Romeo	145/146 1.4 & 1.6 Twin Spark 155/156 1.6 Twin Spark	1996< 1996<	C1 Inlet No3 Cylinder C2 Exhaust No2 Cylinder	3629
Fiat	Barchetta/Coupe 1.8 16v	1996<	D1 Inlet No2 Cylinder D2 Exhaust No3 Cylinder	3630
Fiat	Brava/Bravo/Marea Marea Weekend 1.8 16v	1995<	E1 Inlet No2 Cylinder E2 Exhaust No3 Cylinder	3631
Fiat	Brava/Bravo/Marea Marea Weekend 2.0 20v	1994<	F1 Inlet No3 Cylinder F2 Exhaust No2 Cylinder	3632
Fiat	Brava/Bravo 1.4 12v	1995<	G Inlet No2 Cylinder	3633
Lancia	Ypsilon 1.4 12v	1996 1999	G Inlet No2 Cylinder	3633
Lancia	Kappa 2.0 2.4 20v	1994 1997	H1 Inlet No3 Cylinder H2 Exhaust No2 Cylinder	3634
Fiat	Stilo 2.4 20v	2001<	J1 Inlet No3 Cylinder J2 Exhaust No2 Cylinder	3635
Fiat	Bravo/Marea/Marea Weekend/Coupe 2.0 20v	1994<	K1 Inlet No3 Cylinder K2 Exhaust No2 Cylinder	3636
Alfa Romeo	156 JTS 2.0		N1 Inlet No 2 Cyl N2 Exhausts No 3 Cyl	4838
Alfa Romeo	145/146/147/155/156 Twin Spark (105bhp) 1.6		L1 Inlet No 2 Cyl L2 Exhausts No 3 Cyl	4934
Alfa Romeo	145/146/147/155/156 Twin Spark (120bhp) 1.6		M1 Inlet No 2 Cyl M2 Exhausts No 3 Cyl	4935

Each kit contains the number of tools necessary for locking the camshaft, the cylinder number and whether the tool is for the inlet or exhaust camshaft. The correct position of these tools is important and the identification is clearly marked on the tool.

The plain face of the tool faces the flywheel, the Camface towards the pulley It is recommended that each bearing cap be identified before removal to ensure the correct replacement after the tools are removed.

It is not recommended that these tools are used to hold the Camshaft whilst fastening the sprocket retaining bolt.

Camshaft Locking Tools

Alfa Romeo	156 V6 24v 2.5 156 GTA 3.2 166 V6 24v 2.5 166 V6 24v 3.0 GTV V6 24v 3.0	1997<	A1 Inlet No1 Cylinder A2 Exhaust No1 Cylinder A3 Exhaust No4 Cylinder A4 Inlet No 6 Cylinder	3627
Alfa Romeo	145/146 1.8 & 2.0 Twin Spark 155/156/Spider GTV 2.0 16v	1996< 1995<	B1 Exhaust No3 Cylinder B2 Inlet No2 Cylinder	3628
Alfa Romeo	145/146 1.4 & 1.6 Twin Spark 155/156 1.6 Twin Spark	1996< 1996<	C1 Inlet No3 Cylinder C2 Exhaust No2 Cylinder	3629
Fiat	Barchetta/Coupe 1.8 16v	1996<	D1 Inlet No2 Cylinder D2 Exhaust No3 Cylinder	3630
Fiat	Brava/Bravo/Marea Marea Weekend 1.8 16v	1995<	E1 Inlet No2 Cylinder E2 Exhaust No3 Cylinder	3631
Fiat	Brava/Bravo/Marea Marea Weekend 2.0 20v	1994<	F1 Inlet No3 Cylinder F2 Exhaust No2 Cylinder	3632
Fiat	Brava/Bravo 1.4 12v	1995<	G Inlet No2 Cylinder	3633
Lancia	Ypsilon 1.4 12v	1996 1999	G Inlet No2 Cylinder	3633
Lancia	Kappa 2.0 2.4 20v	1994 1997	H1 Inlet No3 Cylinder H2 Exhaust No2 Cylinder	3634
Fiat	Stilo 2.4 20v	2001<	J1 Inlet No3 Cylinder J2 Exhaust No2 Cylinder	3635
Fiat	Bravo/Marea/Marea Weekend/Coupe 2.0 20v	1994<	K1 Inlet No3 Cylinder K2 Exhaust No2 Cylinder	3636
Alfa Romeo	156 JTS 2.0		N1 Inlet No 2 Cyl N2 Exhausts No 3 Cyl	4838
Alfa Romeo	145/146/147/155/156 Twin Spark (105bhp) 1.6		L1 Inlet No 2 Cyl L2 Exhausts No 3 Cyl	4934
Alfa Romeo	145/146/147/155/156 Twin Spark (120bhp) 1.6		M1 Inlet No 2 Cyl M2 Exhausts No 3 Cyl	4935

Each kit contains the number of tools necessary for locking the camshaft, the cylinder number and whether the tool is for the inlet or exhaust camshaft. The correct position of these tools is important and the identification is clearly marked on the tool.

The plain face of the tool faces the flywheel, the Camface towards the pulley It is recommended that each bearing cap be identified before removal to ensure the correct replacement after the tools are removed.

It is not recommended that these tools are used to hold the Camshaft whilst fastening the sprocket retaining bolt.