

A SELECTION FROM THE VAST RANGE OF

Clarke®

QUALITY PRODUCTS

AIR COMPRESSORS

From DIY to industrial. Plus air tools, spray guns and accessories.

GENERATORS

Prime duty or emergency standby for business, home and leisure.

POWER WASHERS

Hot and cold, electric and engine driven - we have what you need.

WELDERS

Mig, Arc, Tig and Spot. From DIY to auto/industrial.

METALWORKING

Drills, grinders and saws for DIY and professional use.

WOODWORKING

Saws, sanders, lathes, mortisers and dust extraction.

HYDRAULICS

Cranes, body repair kits, transmission jacks for all types of workshop use.

WATER PUMPS

Submersible, electric and engine driven for DIY, agriculture and industry.

POWER TOOLS

Angle grinders, cordless drill sets, saws and sanders.

STARTER/CHARGERS

All sizes for car & commercial use.



Clarke®



SHELVING UNIT

MODEL No: CS5000C, CS5000B, CS4000C, CS4000B

Part No: 6600490, 6600492, 6600496, 6600498

OPERATING & MAINTENANCE INSTRUCTIONS



Clarke INTERNATIONAL

For spare parts and servicing, please contact your nearest dealer, or Clarke International on

020 - 8988 - 7400

e-mail: Parts@clarkeinternational.com e-mail: Service@clarkeinternational.com

Hemnal Street, Epping, Essex CM16 4LG

These CLARKE shelf units require no screws or fixings for assembly, providing easy and rapid installation - and re-configuration when required.

The steel frame allows for shelf height adjustment , providing excellent versatility.

WARNING:

The **MAXIMUM** safe working load of each shelf is 100 kg

PARTS LIST

 x 2 Lower Post with adjustable foot

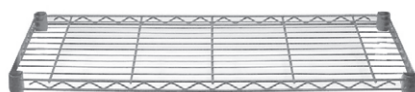
 x 2 Lower Post with adjustable foot

 x 2 Upper Post

 x 2 Upper Post



Shelf brackets



Shelves

SPECIFICATION

	Dimensions (LWH)	Weight	Max Load per Shelf
CS4000C	914 x 356 x 1372 mm	12.7 kg	100 kg
CS4000B	914 x 356 x 1372 mm	12.7 kg	100 kg
CS5000C	1219 x 457 x 1880 mm	27.1 kg	100 kg
CS5000B	1219 x 457 x 1880 mm	27.1 kg	100 kg

ASSEMBLY

1. Take one of the lower posts, simply click plastic brackets to ring on each of the posts.

The brackets locate into the rings on the posts.

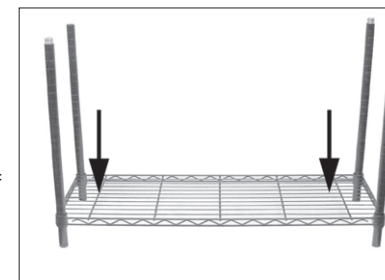


NOTE:

The brackets are slightly narrower at one end, the narrow end should be at the top

2. Repeat the process with the remaining 3 lower posts, placing the clips at the same height on each post

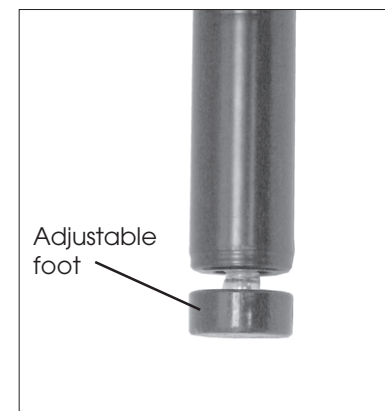
3. Slide the shelf down over the clips, push down on each corner of the shelf to lock into place.



4. Screw the upper posts onto the lower posts.

5. Using the clips as mentioned, place the remaining shelves into position.

6. Each foot can be adjusted to level out the shelving unit.



Adjustable foot