

Charmbe®



4-TIER SHELVING RACK

Model No:CSP420

Part No:6600530

ASSEMBLY INSTRUCTIONS

INTRODUCTION

Thank you for purchasing this CLARKE Shelving Rack.

Before attempting to use the product, it is essential that you read this manual thoroughly and carefully follow all instructions given. In doing so you will ensure the safety of yourself and that of others around you, and you can also look forward to the product giving you long and satisfactory service.

GUARANTEE

This product is guaranteed against faulty manufacture for a period of 12 months from the date of purchase. Please keep your receipt which will be required as proof of purchase.

This guarantee is invalid if the product is found to have been abused or tampered with in any way, or not used for its intended purpose.

Faulty goods should be returned to their place of purchase, no product can be returned to us without prior permission. This guarantee does not effect your statutory rights.

ENVIRONMENTAL PROTECTION



Do not dispose of this product with general household waste. All tools, accessories and packaging should be sorted, taken to a recycling centre and disposed of appropriately.

SPECIFICATION & INVENTORY

Dimensions (l x w x h)	610 x 305 x 1330 mm
Product Weight	4.2 kg
Max Load per Shelf	20 kg (evenly distributed)

When unpacking, check for damage and/or shortages etc. Any found should be reported to your CLARKE dealer where the product was purchased. This shelving rack should include the following:

4 x Feet	12 x Supporting Legs	4 x Top Inserts
4 x Shelf Panels	1 x Instruction Manual (this document)	

Please keep these instructions in a safe place for future reference.

GENERAL SAFETY GUIDELINES

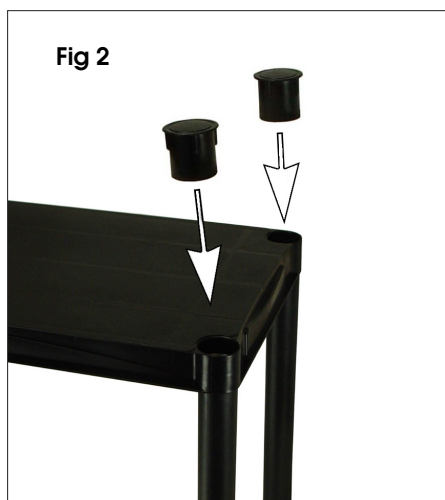
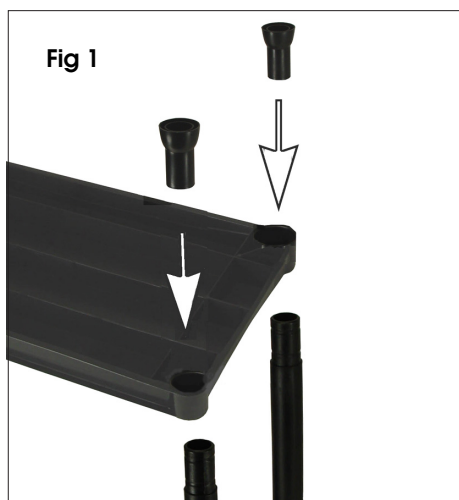
1. **ALWAYS** maintain this product in good condition for greater safety.
2. **NEVER** exceed the maximum recommended load for this product.
3. **NEVER** use this product if damaged.
4. **ALWAYS** load small, stable items on the top shelves, heavier and bulky items should be stored on the lower shelves.

Caution: *This product is not intended to come into contact with cleaning agents/corrosive chemicals or sources of heat e.g. naked flames etc.*

ASSEMBLY TIPS

This CLARKE shelving rack requires no screws or fixings for assembly, providing easy and rapid installation. Assemble the product on a strong, level surface rather than a soft surface.

1. Take the feet and push them onto the underside of one of the shelves as in Fig 1.
2. Insert the supporting legs, narrow end downwards through the shelf corner pockets and into the feet from the upper side of the shelf, trapping the shelf between the foot and leg.
3. Turn the assembly over the right way up and add the next shelf panel and continue until all the legs and shelf panels are assembled. **Ensure the supporting legs are connected with the narrow end downwards to lock the parts together.**
4. Finally, insert the top inserts into the holes in the top shelf as shown in Fig 2.



A SELECTION FROM THE VAST RANGE OF

Clarke®

QUALITY PRODUCTS



AIR COMPRESSORS
From DIY to industrial, Plus air tools, spray guns and accessories.

GENERATORS
Prime duty or emergency standby for business, home and leisure.

POWER WASHERS
Hot and cold, electric and engine driven - we have what you need

WELDERS
Mig, Arc, Tig and Spot.
From DIY to auto/industrial.

METALWORKING
Drills, grinders and saws for DIY and professional use.

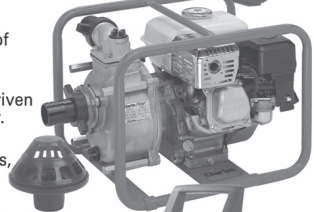
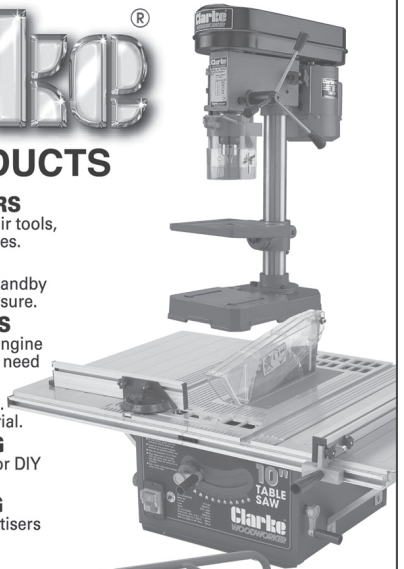
WOODWORKING
Saws, sanders, lathes, mortisers and dust extraction.

HYDRAULICS
Cranes, body repair kits, transmission jacks for all types of workshop use.

WATER PUMPS
Submersible, electric and engine driven for DIY, agriculture and industry.

POWER TOOLS
Angle grinders, cordless drill sets, saws and sanders..

STARTERS/CHARGERS
All sizes for car and commercial use.



PARTS & SERVICE: 0208 988 7400

E-mail: Parts@clarkeinternational.com or Service@clarkeinternational.com

SALES: UK 01992 565333 or Export 00 44 (0)1992 565335

Clarke INTERNATIONAL Hemnall Street, Epping, Essex CM16 4LG
www.clarkeinternational.com