

CLARKE® *PUMP*



BOOSTER PUMPS

Models Nos: BPT600 & BPT1200SS

Part Nos: 7237004 & 7237006

OPERATING & MAINTENANCE INSTRUCTIONS



INTRODUCTION

Thank you for purchasing this CLARKE Booster Pump.

Before attempting to operate the pump, it is essential that you read this manual thoroughly and carefully follow all instructions given. In doing so you will ensure the safety of yourself and that of others around you, and you can also look forward to the pump giving you long and satisfactory service.

GUARANTEE

This CLARKE product is guaranteed against faulty manufacture for a period of 12 months from the date of purchase. Please keep your receipt as proof of purchase.

This guarantee is invalid if the product is found to have been abused or tampered with in any way, or not used for the purpose for which it was intended.

Faulty goods should be returned to their place of purchase, no product can be returned to us without prior permission.

This guarantee does not effect your statutory rights.

ENVIRONMENTAL PROTECTION



Do not dispose of this product with general household waste. All tools, accessories and packaging should be sorted, taken to a recycling centre and disposed of appropriately.

PARTS & SERVICE

For parts & Servicing, please contact your nearest dealer, or CLARKE International, on one of the following numbers.

PARTS & SERVICE TEL: 020 8988 7400

PARTS & SERVICE FAX: 020 8558 3622

or e-mail as follows:

PARTS: Parts@clarkeinternational.com

SERVICE: Service@clarkeinternational.com

CONTENTS

Introduction	2
Guarantee	2
Environmental Protection	2
Parts & Service	2
Table of Contents	3
Description	3
General Safety Precautions	4
Electrical connections	6
Preparation for Use	7
Operation	10
Maintenance	11
Troubleshooting	12
Technical Specification	14
Accessories	14
Parts Lists and Diagrams	15
Declaration of Conformity	19

DESCRIPTION

The BPT600 and BPT1200SS are centrifugal, horizontal, electric pumps with a self-priming capability and are designed with a venturi system, suitable for pumping water from up to 35 m height (BPT600) / 46 m height (BPT1200SS).

They are designed to operate with clean water only at a maximum temperature of 35°C. Operating with contaminated or salt water should be avoided. The inlet of the pump is higher than the inlet of the impeller so that the pump can start operating when only the body is filled with water.

The inlet side of the pump should always be fitted with a one-way valve to prevent water syphoning back out of the pump and to ensure the pump is always primed for the next start-up.

The pressure tank incorporates a butyl membrane, and a pressure controller provides automatic stop/start control. The pumps are supplied with a 1" BSP inlet filter with easy to clean replaceable elements. The transparent filter bowl allows for a visual check as to the condition of the filter cartridge.

Upon receipt, any damage or deficiency should be reported to your CLARKE dealer immediately.

GENERAL SAFETY PRECAUTIONS



As with all machinery, there are certain hazards involved with its operation and use. Exercising caution will reduce the risk of personal injury.

WORK AREA

1. **Keep the work area clean and well lit.** Floors should always be kept clear. Cluttered or dark areas invite accidents.
2. **Keep children and bystanders away while operating machines.** Distractions can cause loss of control.

PERSONAL SAFETY

1. **ALWAYS stay alert, watch what you are doing and use common sense when operating this pump.** Do not use the pump while you are tired or under the influence of medication, drugs or alcohol. A moment of inattention can result in personal injury.
2. **Do not over-reach.** Keep your proper footing and balance at all times when positioning the pump.
3. **NEVER** direct the water discharge towards electrical wiring or equipment.
4. **ALWAYS** store the pump out of reach of children and do not allow persons unfamiliar with these instructions to operate it.
5. **NEVER** direct the discharge flow towards another person.
6. **ALWAYS** thoroughly familiarise yourself with this pump & its operation, and follow all instructions in this manual.
7. **ALWAYS** ensure that the pump is properly positioned to prevent it from moving during operation, and that the immediate area surrounding the pump is kept clear.

GENERAL EQUIPMENT USE AND CARE



WARNING: The BPT600 & BPT1200SS pumps are not submersible pumps. On no account should they ever be immersed in water.

1. **ALWAYS** maintain the pump with care and keep it clean.
2. **NEVER** use this pump if any part is damaged. Have it inspected and repaired by your local Clarke dealer.
3. **NEVER** modify this pump in any way. Use it **ONLY** for the purpose for which it is designed.
4. **NEVER** run the pump dry. Always ensure the pump is filled or ready to be filled with water before starting.

5. **NEVER** overtighten drain or filler plugs. Excessive force may damage the threads and make the plug difficult to remove in future.
6. **ALWAYS** ensure the pump is in a horizontal position and is firmly anchored via its fixing screws to a level surface.
7. **NEVER** use for pumping flammable liquids or corrosive chemicals. These pumps are designed to pump **WATER ONLY**.
8. **ALWAYS** use a strainer connected to the suction (inlet) hose, to prevent stones and other solids from being drawn up, which could cause damage to the pump.

SERVICING

1. **ALWAYS** have the pump serviced by your local CLARKE dealer, using only identical replacement parts. This will ensure the safety of the pump is maintained. The use of non standard parts could be hazardous.
2. **NEVER** attempt any repairs yourself. If you have a problem with the pump contact your local CLARKE dealer.
3. **ALWAYS** turn the pump off before carrying out any maintenance.

Your CLARKE water pump has been designed to give long and trouble free service. If, however, having followed the instructions in this booklet carefully, you encounter problems, take the unit to your local CLARKE dealer.

ELECTRICAL CONNECTIONS



WARNING! Read these electrical safety instructions thoroughly before connecting the product to the mains supply.

Before switching the machine on, make sure that the voltage of your electricity supply is the same as that indicated on the rating plate. This product is designed to operate using 230 VAC mains power. Connecting it to any other power source may cause damage.

This product may be fitted with a non-rewireable plug. If it is necessary to change the fuse in the plug, the fuse cover must be refitted. If the fuse cover becomes lost or damaged, the plug must not be used until a suitable replacement is obtained.

If the plug has to be changed because it is not suitable for your socket, or due to damage, it should be cut off and a replacement fitted, following the wiring instructions shown below. The old plug must be disposed of safely, as insertion into a mains socket could cause an electrical hazard.



WARNING! The wires in the power cable of this product are coloured in accordance with the following code:

Blue = Neutral Brown = Live Yellow and Green = Earth

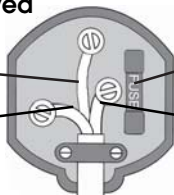
If the colours of the wires in the power cable of this product do not correspond with the terminal markings of your plug, proceed as follows.

- The wire which is coloured Blue must be connected to the terminal which is marked N or coloured Black.
- The wire which is coloured Brown must be connected to the terminal which is marked L or coloured Red.
- The wire which is coloured Yellow and Green must be connected to the terminal which is marked E or \perp or coloured Green.

Plug must be BS1363/A approved

Earth
(Green and Yellow)

Neutral
(Blue)



Always fit a 13 Amp fuse.

Live
(Brown)

Ensure that the outer sheath of the cable is firmly held by the clamp

We strongly recommend that this machine is connected to the mains supply via a Residual Current Device (RCD).

If in doubt, consult a qualified electrician. DO NOT attempt repairs yourself.

PREPARATION FOR USE

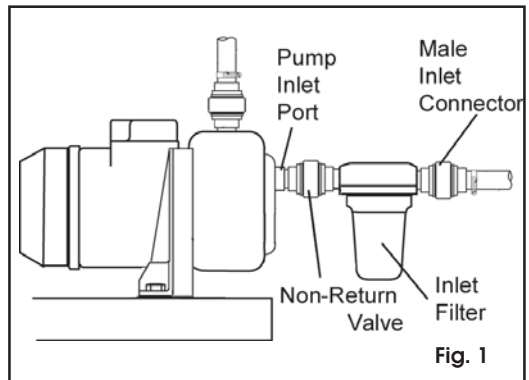
Accessories designed specifically for this range of pumps are available from your nearest CLARKE dealer. Contact your CLARKE dealer for further information, or CLARKE International Sales Department on 01992 565333.

IMPORTANT: The pump MUST NOT be connected to the mains electrical supply until all hose/pipe installation is completed.

CONNECTING THE INLET FILTER (FIG 1)

1. Screw a non-return valve to the pump inlet ensuring it is the right way round, ie, with the spring-loaded valve able to pass water in the direction of flow. Do not overtighten.
2. Screw the inlet filter onto the non-return valve and tighten by hand. Do not overtighten.

- Ensure the moulded arrow in the filter body which indicates the direction of flow, is pointing towards the pump and that the bowl is hanging vertically down. The filter bleed plug should be seen at the inlet side of the filter.



3. Screw the male inlet connector into the filter inlet port and hand tighten.

POSITIONING THE PUMP

A typical installation of the pump is shown in Fig 1. An air-tight seal is essential when connecting the suction and discharge hoses to the pump.

- Ensure there is no damage to the hoses which must be well protected and well supported.
- The pump must always be installed and operated in a horizontal position i.e. with the outlet port facing vertically upwards.
- The fixing holes in the feet should be used to secure the pump firmly in its operating position.
- Always ensure there is adequate air circulation around the pump motor.
- Avoid situations where the pump could become drenched with water. Neither the motor or terminal box are designed to be waterproof.

- Position the pump as near to the water source as possible.
- Ensure there is adequate drainage and there is no risk of damage to property as a result of water being discharged.
- The performance of your pump will be affected by the diameter of the inlet pipe - any restriction will greatly reduce the flow. We strongly recommend that you use as large a pipe diameter as practical.
- A gate valve may be installed on the delivery (outlet) side of the pump which can be adjusted as required to regulate the flow of water and can also assist in priming the pump.



CAUTION: DO NOT PLACE ANY RESTRICTION ON THE SUCTION (INLET) SIDE OF THE PUMP UNLESS IT IS AN ISOLATOR VALVE IN A GRAVITY FED SYSTEM. THESE PUMPS SHOULD NOT BE OPERATED WITH THE DELIVERY VALVE COMPLETELY CLOSED.

- To prevent unnecessary strain or possible distortion to the pump, ensure that adequate support is provided to the hoses/pipes. They will be considerably heavier when filled with water.
- Where the pump is to be a permanent fixture, the fittings to the pump must be flexible, i.e. a short piece of hose should be installed between the rigid pipework and the pump.

IMPORTANT: An air leak in the suction line will prevent priming and reduce the capacity of the pump.

Pay particular attention to the following:

- a. Keep all hoses as short and straight as possible and avoid sharp bends.
- b. Ensure there is adequate drainage for the discharged water.
- c. If a flexible hose must be laid across a roadway, protect it with planking.

(Instantaneous shut off pressure, applied when a vehicle runs across an unprotected hose, could cause "hydraulic shock", which can damage the pump and/or the hose).

USING A FOOT VALVE/FILTER

Instead of using the pump for boosting an existing water supply, the pump may typically be used for drawing raw water from a well or excavation. In these applications a foot valve/coarse filter should be fitted to the lower end of the suction hose as illustrated in Fig 2. This will retain water in the suction system and more importantly, to prevent the possibility of large objects entering the pump body.

1. Attach the foot valve to the end of the suction hose to prevent stones etc, from being drawn up, which could cause damage to the pump. Keep the foot valve clean. If it is likely to clog with dirt or debris, proceed by either:
 - a. Preparing a bed of stones on which to rest the foot valve.
 - b. Position the valve so that it stays clear of the bottom of the pit, pond or excavation.
 - c. Tie the foot valve inside a basket or bucket.

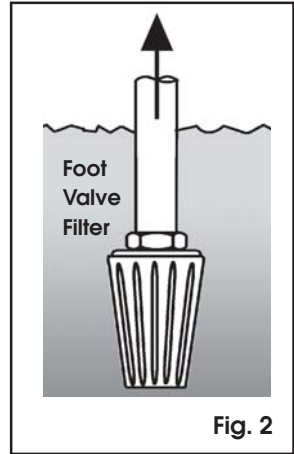


Fig. 2

PREPARING THE BOOSTER PRESSURE TANK

These pumps utilise an air pressure tank with a pressure regulator to provide a constant pressure at the outlet. The pump will automatically cut in when the water pressure reduces to 1.5 Bar, and cut out when the pressure reaches 3 Bar. These pressures are factory set and must not be altered. The pump may continue to operate for a short while, after the tap is turned off, until the cut-out pressure is reached.

In order for the system to operate correctly, it is necessary to pressurise the air chamber to 1.5 Bar (22psi), which is carried out as follows:

1. Unscrew the large protective cap on the end of the pressure tank to reveal the air valve as shown in Fig 3.
2. Use an airline or foot pump to pressurise the tank.
3. Check the pressure with a standard pressure gauge and replace the protective cap when completed.

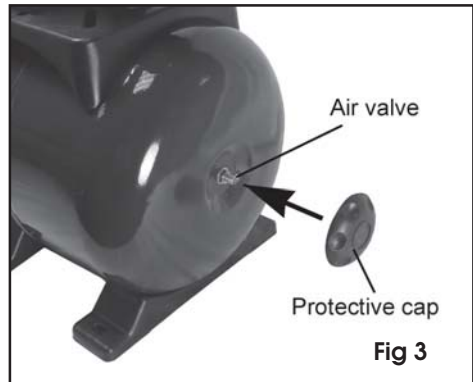


Fig 3

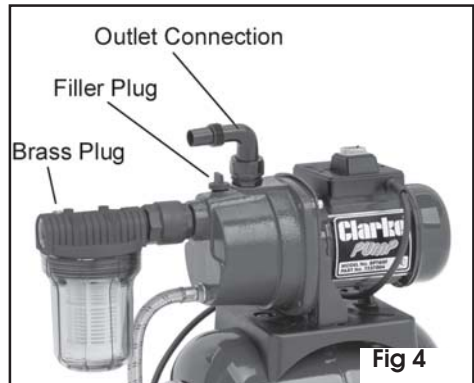
Important; This procedure must be carried out before connecting to the water supply.

PRIMING THE PUMP

When suction lift is used to draw water into the pump it is essential that all connections and hoses are completely tight or the system will not work.

Although the pump is of the 'self-priming' type, it is still necessary to completely fill the inlet side of the pump with water prior to initial starting, or if the system has been drained for any other reason. Priming is carried out as follows.

1. Remove the filler plug on top of the pump and slowly fill with water until all air is expelled.
 - Refilling is necessary only if the pump has been drained or if the water has been lost. Never allow the pump to run dry.
2. Open any valve(s) fitted to the outlet side of the pump so as to ensure as great a flow as possible.
 - If the inlet filter is being used, it is recommended that you remove the brass plug on top of the filter unit and fill the filter bowl with water.
3. Switch on the pump and check for leaks. Water should start to flow through the system after a short while. If this does not happen, check to ensure that:
 - a. the inlet pipe is completely secure and free from any defects.
 - b. the pump body has been correctly primed.



OPERATION

1. Open any valves in the pipeline.
2. Connect the power supply and switch the pump ON.
3. Wait for the pump to prime.
4. If the motor fails to start or does not deliver water, refer to Troubleshooting on page 12.

NOTE: Filling the suction pipe with water will speed up the priming process, and it is recommended that a non-return valve be fitted to the end of the suction pipe.

- If debris has entered the pump causing a blockage, the end housing can be taken off and the pump cleaned out as described under Maintenance on page 11.

REMEMBER: Contaminated water is water containing small solids in suspension, NOT slurry, sludge, sand, or mud.

5. Stop the pump by switching the pump OFF.
6. After use, drain residual water from the pump if there is danger of freezing. If the pump has been used with contaminated or salty water, it should be thoroughly flushed with clean water following use, both inside and out before replacing the plug.

MAINTENANCE

For any problems requiring the dismantling and overhaul of the pump, contact your CLARKE International Service Department on 020-8988-7400.

THE FILTER

The separate inlet filter (Part number 7175100) supplied with these pumps will need regular cleaning out after use. Unscrew the filter bowl from the top section as in Fig 5 and wash out the bowl and filter element with clean, soapy water.

CLEANING

The only other maintenance required is a regular inspection to ensure that nothing is blocking the passage of water through the pump.

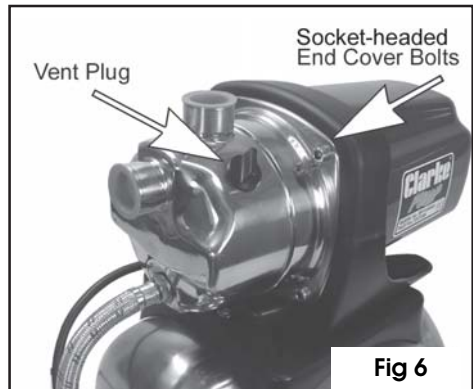
If you suspect the pump is blocked by mud, silt, leaves etc, disconnect it from the mains power supply and backflush to clear any blockage.

Always keep the pump in a clean condition, checking regularly for loose bolts or a damaged power cable etc.

If the pump has been used under arduous conditions leading to internal fouling or damage, the end cover can be removed by undoing the four socket-headed cover bolts shown in Fig 6. The impeller can then be inspected for damage.

STORAGE

Store in a clean, dry environment protected from the weather.



TROUBLESHOOTING

PROBLEM	CAUSE	SOLUTION
Pump does not run.	No mains supply.	Check fused power supply and replace fuse if necessary (check fuse rating).
	Impeller seized/blocked.	Disconnect pump from mains supply. Investigate cause and clear blockage.
Pump fails to prime.	Priming chamber not filled correctly.	Fill priming chamber leaving no air gap as described on page 9.
	Air leaks through suction hose joints (damaged hose, broken clamp, damaged / ill-fitting gasket).	Repair connections/replace hose as necessary.
	Blocked inlet hose.	Clean foot valve & ensure it is not submerged in mud/sediment etc. Ensure there are no kinks in the inlet hose.
Pump runs but gives poor output.	Inlet pipeline leakage.	Check inlet pipe and connector for leaks. Tighten as required.
	Inlet filter is blocked.	Check and clean the foot valve.
	Impeller / mechanical seal is badly worn.	Return to your CLARKE dealer for repair.
	Congested material inside pump.	Dismantle pump & clean out.
	Impeller damaged and making poor seal.	Return to your CLARKE dealer for repair.
	Suction lift too high.	Set pump as close as possible to the level of the liquid to be pumped.
	Suction or delivery pipeline obstructed.	Remove obstruction and ensure there are no kinks in pipeline.
	Congestion in the suction line.	Avoid unnecessary curves, restrictions or valves.
	Air leaks through damaged seal.	Renew seal.
Sudden loss of flow.	Loose or leaking connection to inlet pipe.	Check pipeline and correct.
	Suction head is too high and causing cavitation.	Check suction head and lower the position of the pump.

TROUBLESHOOTING

PROBLEM	CAUSE	SOLUTION
Undue vibration or noise.	Suction head is too high and is causing cavitation.	Check suction head and lower the position of the pump.
	Excessive flow of water.	Decrease flow of water.
	Resistance in inlet pipeline caused by obstruction.	Check pipe and clean out as necessary.
	Loose rotating component.	Return to your dealer for repairs.
	Installation of pump is not stable.	Stop pump and re-position.
	Air pocket in pump or pipeline.	Release drain plug in impeller housing to release air.
	Damaged impeller.	Return to your CLARKE dealer for repair.
Pump switches on and off rapidly.	Low air pressure.	Check pressure.
	Membrane damaged.	Return to your CLARKE dealer for repair.
Pump switches on & off when no water is being drawn	Leak in output side.	Investigate and rectify.
	Non-return valve faulty.	Check and rectify.
Pump does not switch off.	Pressure switch faulty.	Return to your CLARKE dealer for repair.
	No water at pump inlet.	Check for blockage.
	Faulty impeller.	Dismantle and investigate.

TECHNICAL SPECIFICATION

	BPT600	BPT1200SS
Weight	12.2 kg	12.25 kg
Dimensions (L x W x H) mm	435 x 270 x 500	455 x 270 x 497
Max Rated Delivery	50 Litre/min	61 Litre/min
Max Head	35 m	46 m
Water Classification	Cold Clean Water	Cold Clean Water
Inlet/Outlet Thread	1" BSP	1" BSP
Sound Pressure Level	73 dB LpA	73 dB LpA
Sound Power Level	80 dB LwA	83 dB LwA
Guaranteed Sound Power	<83 dB LwA	<86 dB LwA
Tank Capacity	19 Litre	19 Litre
Tank Rated Pressure	3 Bar	3 Bar
Operating Temperature	max 35° C	max 35° C
Operating Power Supply	230V @ 50Hz	230V @ 50Hz

Please note that the details and specifications contained herein, are correct at the time of going to print. However, CLARKE International reserve the right to change specifications at any time without prior notice.

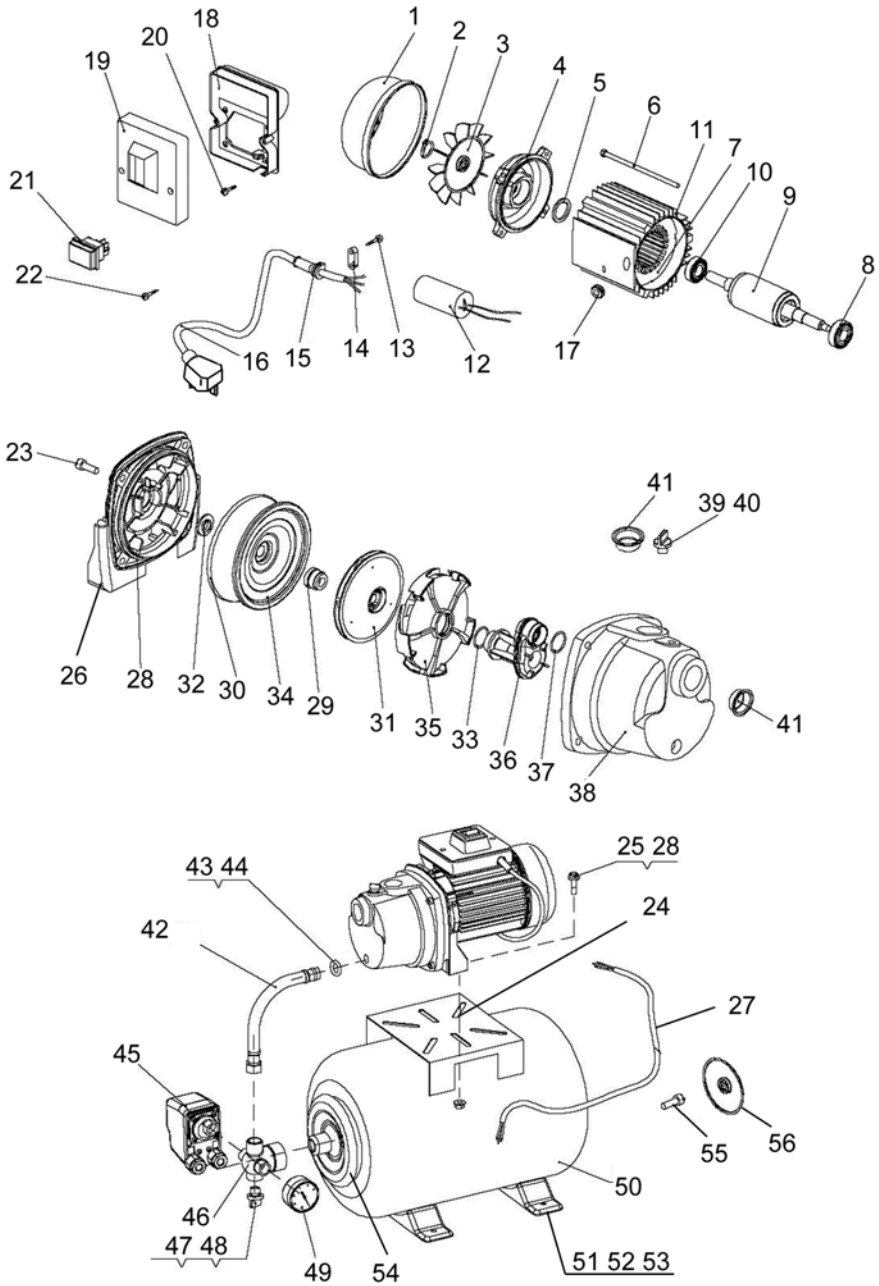
ACCESSORIES

A wide range of airline accessories is available, including Filters, Foot Valves, Hoses, Couplings, etc. Contact your Clarke dealer for further information or Clarke International Sales Department on 01992 565333.

The use of parts other than genuine Clarke replacement parts may result in possible safety hazards or decreased machine performance, and will invalidate your warranty.

IMPORTANT: The use of parts other than genuine CLARKE replacement parts may result in safety hazards, decreased performance, and will invalidate your warranty.

PARTS DIAGRAM-BPT600

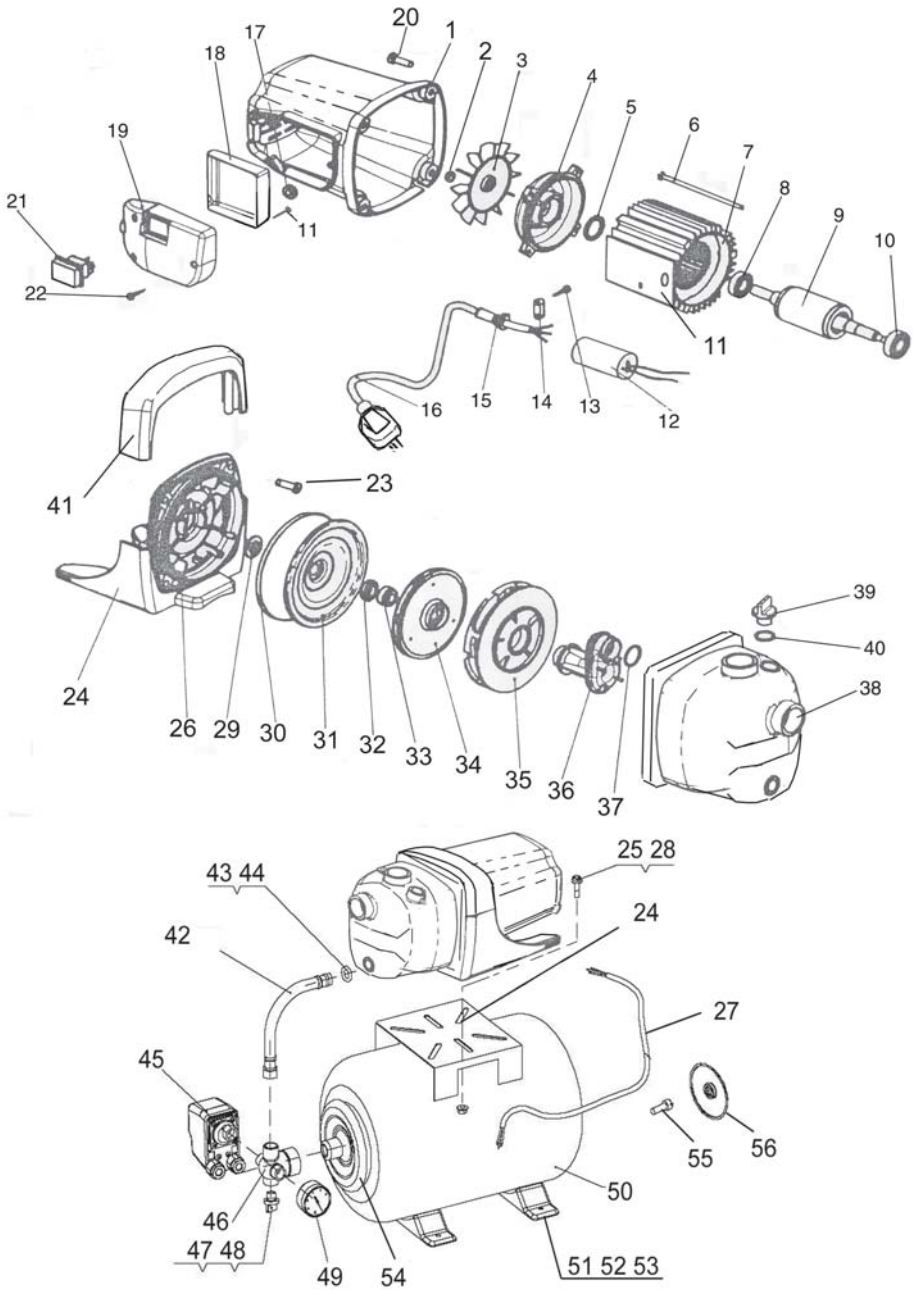


PARTS LIST- BPT600

No	Description	Part No
1	Fan Cover	DHBPT60001
2	Retainer	DHBPT60002
3	Cooling Fan	DHBPT60003
4	Motor End Casting	DHBPT60004
5	Wave Washer	DHBPT60005
6	Motor Tie Bolt 120mm	DHBPT60006
7	Motor Stator	DHBPT60007
8	Motor Bearing 6202-2Z	DHBPT60008
9	Motor Rotor	DHBPT60009
10	Motor Bearing 6201-2Z	DHBPT60010
11	Motor Casting	DHBPT60011
12	Capacitor 12uF	DHBPT60012
13	Screw	DHBPT60013
14	Cable Clip	DHBPT60014
15	Cable Gland	DHBPT60015
16	Power Cable & Plug	DHBPT60016
17	Grommit	DHBPT60017
18	Switch Junction Box	DHBPT60018
19	Junction Box Cover	DHBPT60019
20	Machine Screw	DHBPT60020
21	Waterproof Switch	DHBPT60021
22	Self-tapping Screw	DHBPT60022
23	Allen Headed Bolt	DHBPT60023
24	Plastic Base	DHBPT60024
25	Shouldered Bolt M8	DHBPT60025
26	Frame Casting	DHBPT60026
27	Connecting Cable	DHBPT60027
28	Nut M8	DHBPT60028

No	Description	Part No
29	Mechanical Seal	DHBPT60029
30	O-Ring 140 dia	DHBPT60030
31	Impeller	DHBPT60031
32	Fixed Ring	DHBPT60032
33	O-Ring	DHBPT60033
34	Diffuser Plate	DHBPT60034
35	Diffuser	DHBPT60035
36	Discharge Elbow	DHBPT60036
37	O-Ring 30 dia	DHBPT60037
38	End Housing	DHBPT60038
39	Threaded Plug 15mm	DHBPT60039
40	O-Ring 18 dia	DHBPT60040
41	Plastic Dust Cap	DHBPT60041
42	Braided Hose	DHBPT60042
43	O-Ring	DHBPT60043
44	Middle Sealing Bush	DHBPT60044
45	Mech.Pressure Switch	DHBPT60045
46	5-Way Connector	DHBPT60046
47	Drain Plug	DHBPT60047
48	O-Ring	DHBPT60048
49	Pressure Gauge	DHBPT60049
50	Pressure Tank	DHBPT60050
51	Plastic Foot	DHBPT60051
52	Nut M8	DHBPT60052
53	Washer	DHBPT60053
54	Connecting Flange	DHBPT60054
55	Air Inlet Valve	DHBPT60055
56	Protective Cover	DHBPT60056

PARTS DIAGRAM-BPT1200SS



PARTS LIST- BPT1200SS

No	Description	Part No
1	Motor Cover	DHBPT120001
2	Retainer	DHBPT120002
3	Cooling Fan	DHBPT120003
4	Motor End Casting	DHBPT120004
5	Wave Washer	DHBPT120005
6	Motor Tie Bolt 120mm	DHBPT120006
7	Motor Stator	DHBPT120007
8	Motor Bearing 6202-2Z	DHBPT120008
9	Motor Rotor	DHBPT120009
10	Motor Bearing 6201-2Z	DHBPT120010
11	Motor Casting	DHBPT120011
12	Capacitor 20uF	DHBPT120012
13	Self-tapping Screw	DHBPT120013
14	Cable Clip	DHBPT120014
15	Cable Gland	DHBPT120015
16	Power Cable & Plug	DHBPT120016
17	Grommit	DHBPT120017
18	Clear Junction Box	DHBPT120018
19	Junction Box Cover	DHBPT120019
20	Bolt 10mm	DHBPT120020
21	Waterproof Switch	DHBPT120021
22	Self-tapping Screw	DHBPT120022
23	Bolt 20mm	DHBPT120023
24	Plastic Base	DHBPT120024
25	Shouldered Bolt M8	DHBPT120025
26	Frame Casting	DHBPT120026
27	Connecting Cable	DHBPT120027
28	Nut M8	DHBPT120028

No	Description	Part No
29	Mechanical Seal	DHBPT120029
30	O-Ring 140 dia	DHBPT120030
31	Diffuser Plate	DHBPT120031
32	Fixed Ring	DHBPT120032
33	O-Ring	DHBPT120033
34	Impeller	DHBPT120034
35	Diffuser	DHBPT120035
36	Discharge Elbow	DHBPT120036
37	O-Ring 30 dia	DHBPT120037
38	End Housing	DHBPT120038
39	Threaded Plug 15mm	DHBPT120039
40	O-Ring	DHBPT120040
41	Plastic Hood	DHBPT120041
42	Braided Hose	DHBPT120042
43	O-Ring	DHBPT120043
44	Middle Sealing Bush	DHBPT120044
45	Mech.Pressure Switch	DHBPT120045
46	5-Way Connector	DHBPT120046
47	Drain Plug	DHBPT120047
48	O-Ring	DHBPT120048
49	Pressure Gauge	DHBPT120049
50	Pressure Tank	DHBPT120050
51	Plastic Foot	DHBPT120051
52	Nut M8	DHBPT120052
53	Washer	DHBPT120053
54	Connecting Flange	DHBPT120054
55	Air Inlet Valve	DHBPT120055
56	Protective Cover	DHBPT120056

DECLARATION OF CONFORMITY



Clarke[®]
INTERNATIONAL

Hemnal Street, Epping, Essex CM16 4LG

DECLARATION OF CONFORMITY

This is an important document and should be retained.

Product Description: Booster Pump 19L, (Cast Iron body)
Model number(s): BPT600
Serial / batch Number: 7237004
Date of Issue: 29/10/2010
(Noise Conformity)
Notified Body: TUV Rheinland LGA Products GmbH
90431 Nürnberg
Tillystraße
Germany

Technical Documentation Holder: A.R. Pond
Clarke International
2a Shrubland Road
London E10,7RB
UK

Conformity Assessment Procedure: to 2000/14/EC Annex V
Manufacturer: Clarke International
Noise Related Value: 0.6kW
Measured Sound Power Level: 80.0dB
Guaranteed Sound Power Level: 83.0dB

DECLARATION OF CONFORMITY



Clarke[®]
INTERNATIONAL

Hemnall Street, Epping, Essex CM16 4LG

DECLARATION OF CONFORMITY

This is an important document and should be retained.

We hereby declare that this product(s) complies with the following directive(s):

- 2004/108/EC *Electromagnetic Compatibility Directive.*
- 2006/95/EC *Low Voltage Equipment Directive.*
- 2002/95/EC *Restriction of Hazardous substances.*
- 2000/14/EC *Noise Emissions Directive (amended by 2005/88/EC).*

The following standards have been applied to the product(s):

- EN 55014-1:2006, EN 55014-2:1997+A1, EN 61000-3-2:2006, EN 61000-3-3:1995+A1+A2*
- EN 60335-1:2002+A1+A11+A12+A2+A13, EN 60335-1-41:2003+A1, EN 50366:2003+A1.*

The technical documentation required to demonstrate that the product(s) meet(s) the requirement(s) of the aforementioned directive(s) has been compiled and is available for inspection by the relevant enforcement authorities.

The CE mark was first applied in: 2006

Signed:

J.A. Clarke
Director

DECLARATION OF CONFORMITY



Clarke[®]
INTERNATIONAL

Hemndall Street, Epping, Essex CM16 4LG

DECLARATION OF CONFORMITY

This is an important document and should be retained.

Product Description: Booster Pump 19L (Stainless steel body)

Model number(s): BPT1200SS

Serial / batch Number: 7237006

Date of Issue: 03/12/2010

(Noise Conformity)

Notified Body: TUV Rheinland LGA Products GmbH
90431 Nürnberg
Tillystraße
Germany

Technical Documentation Holder: A.R. Pond
Clarke International
2a Shrubland Road
London E10,7RB
UK

Conformity Assessment Procedure: to 2000/14/EC Annex V

Manufacturer: Clarke International

Noise Related Value: 1.2kW

Measured Sound Power Level: 83dB

Guaranteed Sound Power Level: 86dB

DECLARATION OF CONFORMITY



Clarke[®]
INTERNATIONAL

Hemnall Street, Epping, Essex CM16 4LG

DECLARATION OF CONFORMITY

This is an important document and should be retained.

We hereby declare that this product(s) complies with the following directive(s):

- 2004/108/EC Electromagnetic Compatibility Directive.*
- 2006/95/EC Low Voltage Equipment Directive.*
- 2002/95/EC Restriction of Hazardous substances.*
- 2000/14/EC Noise Emissions Directive (amended by 2005/88/EC).*

The following standards have been applied to the product(s):

- EN 55014-1:2006, EN 55014-2:1997+A1, EN 61000-3-2:2006, EN 61000-3-3:1995+A1+A2*
- EN 60335-1:2002+A1+A11+A12+A2+A13, EN 60335-1-41:2003+A1, EN 50366:2003+A1.*

The technical documentation required to demonstrate that the product(s) meet(s) the requirement(s) of the aforementioned directive(s) has been compiled and is available for inspection by the relevant enforcement authorities.

The CE mark was first applied in: 2007

Signed:



J.A. Clarke
Director

A SELECTION FROM THE VAST RANGE OF

Clarke®

QUALITY PRODUCTS

AIR COMPRESSORS

From DIY to industrial, Plus air tools, spray guns and accessories.

GENERATORS

Prime duty or emergency standby for business, home and leisure.

POWER WASHERS

Hot and cold, electric and engine driven - we have what you need

WELDERS

Mig, Arc, Tig and Spot. From DIY to auto/industrial.

METALWORKING

Drills, grinders and saws for DIY and professional use.

WOODWORKING

Saws, sanders, lathes, mortisers and dust extraction.

HYDRAULICS

Cranes, body repair kits, transmission jacks for all types of workshop use.

WATER PUMPS

Submersible, electric and engine driven for DIY, agriculture and industry.

POWER TOOLS

Angle grinders, cordless drill sets, saws and sanders.

STARTERS/CHARGERS

All sizes for car and commercial use.



PARTS & SERVICE: 0208 988 7400

E-mail: Parts@clarkeinternational.com or Service@clarkeinternational.com

SALES: UK 01992 565333 or Export 00 44 (0)1992 565335

Clarke INTERNATIONAL Hemnall Street, Epping, Essex CM16 4LG
www.clarkeinternational.com