

Chantrol®



GARDEN TROLLEY

MODEL NO: GT4

PART NO: 3400189

ASSEMBLY INSTRUCTIONS

INTRODUCTION

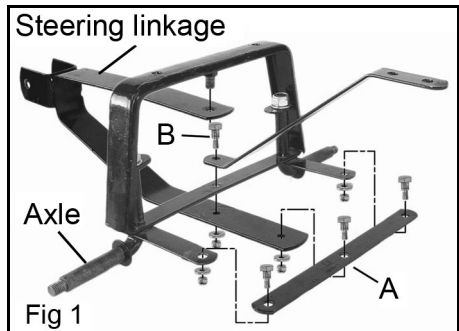
Thank you for purchasing this CLARKE GT4 Garden Trolley. Before attempting to use this product, please follow the instructions carefully. In doing so you will ensure the safety of yourself and that of others around you, and you can look forward to your purchase giving you long and satisfactory service.

SAFETY PRECAUTIONS

1. Always be sure you are strong enough to move heavy loads.
2. Do not exceed the 150kg maximum working load for this trolley.
3. Do not park the trolley on a gradient without securely chocking the wheels.
4. Do not allow children to play with, or ride in the trolley.
5. Never use the trolley if any of the tyres are deflated.
6. Never use the trolley to transport personnel or animals.
7. Always inspect the trolley for signs of wear or damage before use.
8. Always ensure the load is evenly distributed and is stable.

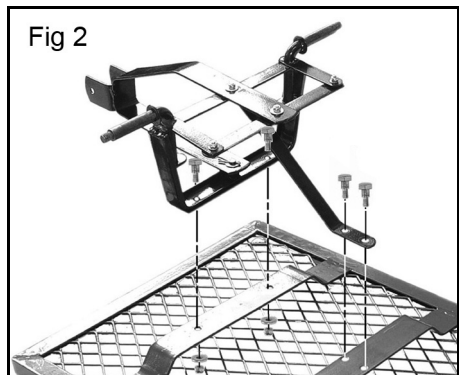
ASSEMBLY

1. Assemble the steering linkage components to the front axle bracket as shown in fig.1.
 - Bolts are used at all linkage points, the longest bolt is used at point 'A'.
2. Secure the linkage at point 'B' using the flat washer and split pin.

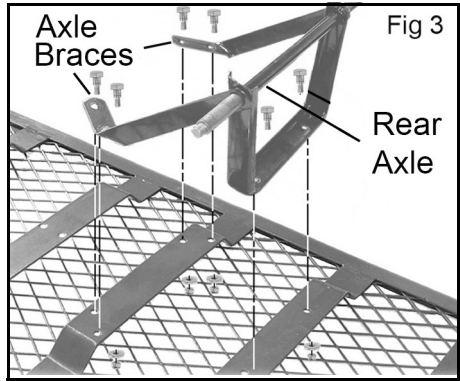


3. Turn the trolley bed on its back and attach the sub-assembly to the bed using the bolts, flat washers and locknuts supplied as shown in Fig 2.

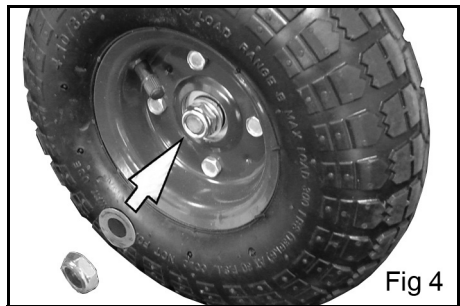
NOTE: Flat washers should be used against the nuts. Do not overtighten.



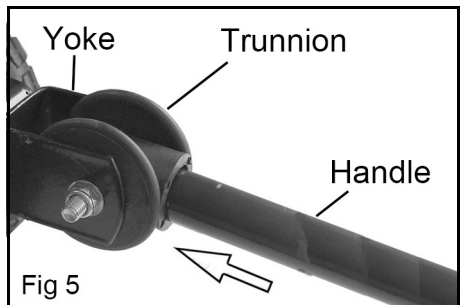
- Slide the axle braces, over the ends of the rear axle and attach the assembly to the trolley bed using the bolts, flat washers and locknuts supplied as shown in Fig.3.



- Attach the wheels, securing with the large flat washers and nuts as shown in fig 4, taking care not to overtighten.
- Turn the complete trolley assembly the right way up.



- Slide the handle into the trunnion and attach the assembly to the yoke on the steering assembly as shown in Fig 5.
- Slide the long bolt through the yoke and trunnion and secure with the washer and nut.



- Attach the side and end fences to the bed using the 'R' clips as shown in Fig 6.



Replacement parts are available from your CLARKE dealer. Please quote:

Wheel assembly: part no: QDGT401,
Handle: part no QDGT402.

A SELECTION FROM THE VAST RANGE OF

Clarke®

QUALITY PRODUCTS



AIR COMPRESSORS
From DIY to industrial, Plus air tools, spray guns and accessories.

GENERATORS
Prime duty or emergency standby for business, home and leisure.

POWER WASHERS
Hot and cold, electric and engine driven - we have what you need

WELDERS
Mig, Arc, Tig and Spot.
From DIY to auto/industrial.

METALWORKING
Drills, grinders and saws for DIY and professional use.

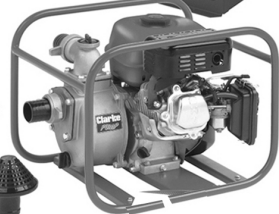
WOODWORKING
Saws, sanders, lathes, mortisers and dust extraction.

HYDRAULICS
Cranes, body repair kits, transmission jacks for all types of workshop use.

WATER PUMPS
Submersible, electric and engine driven for DIY, agriculture and industry.

POWER TOOLS
Angle grinders, cordless drill sets, saws and sanders.

STARTERS/CHARGERS
All sizes for car and commercial use.



This product is guaranteed against faulty manufacture for a period of 12 months from the date of purchase. Please keep your receipt which will be required as proof of purchase.

This guarantee is invalid if the product is found to have been abused or tampered with in any way, or not used for the purpose for which it was intended. Faulty goods should be returned to their place of purchase, no product can be returned without prior permission.

This guarantee does not affect you statutory rights.

PARTS & SERVICE: 020 8988 7400

E-mail: Parts@clarkeinternational.com or Service@clarkeinternational.com

SALES: UK 01992 565333 or Export 00 44 (0)1992 565335

Clarke® INTERNATIONAL Hemnall Street, Epping, Essex CM16 4LG
www.clarkeinternational.com