

# Clarke®



## PLATFORM TRUCK

Model No: CPF300

Part No: 6500170

## ASSEMBLY INSTRUCTIONS

CE

GC01/09

---

# INTRODUCTION

---

Thank you for purchasing this CLARKE platform truck.

Before attempting to use the product, it is essential that you read this manual thoroughly and carefully follow all instructions given. In doing so you will ensure the safety of yourself and that of others around you, and you can also look forward to the product giving you long and satisfactory service.

---

# GUARANTEE

---

This product is guaranteed against faulty manufacture for a period of 12 months from the date of purchase. Please keep your receipt which will be required as proof of purchase.

This guarantee is invalid if the product is found to have been abused or tampered with in any way, or not used for the purpose for which it was intended.

Faulty goods should be returned to their place of purchase, no product can be returned to us without prior permission.

This guarantee does not effect your statutory rights.

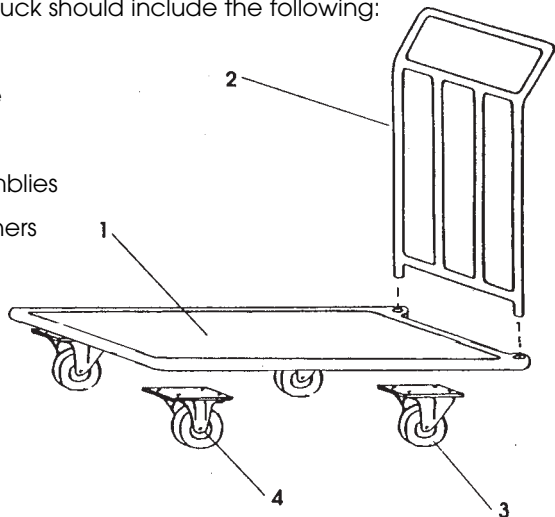
---

# LIST OF CONTENTS

---

When unpacking, check for damage and /or shortages etc. Any found should be reported to your CLARKE dealer where the product was originally purchased. This Platform Truck should include the following:

1. 1 x Platform
  2. 1 x Guard Rail/Handle
  3. 2 x Castor Assemblies
  4. 2 x Fixed Wheel Assemblies
- 16 Sets Nuts and Washers



---

## ASSEMBLY INSTRUCTIONS

---

1. Turn the platform face down and bolt on the two castor assemblies to the rear (guard rail / handle end) and the two fixed wheels to the front end.
2. Turn the platform over onto its wheels and insert the guard rail /handle into the holes provided at the castor end of the truck.

Note: The handle portion should be angled away from the platform and can be removed for storage.

3. The platform truck is now ready for use.
- 

## GENERAL SAFETY RULES

---

1. **ALWAYS** maintain the equipment in good condition for the best/safest performance. **NEVER** use this product if it is damaged.
2. **NEVER** exceed the maximum working load of 300 kg.
3. **ALWAYS** ensure the load is stable and evenly distributed on the platform.
4. **NEVER** leave the truck on a gradient without securely chocking the wheels/castors.
5. **NEVER** allow any person to ride on the truck.
6. **NEVER** use the truck on uneven or loose surfaces.
7. **NEVER** allow children to use the truck.
8. If necessary, have this product repaired by a qualified person using identical replacement parts. This will ensure that the safety of the product is maintained.

Please keep these instructions in a safe place for future reference.



Do not dispose of this product with general household waste. All tools, accessories and packaging should be sorted, taken to a recycling centre and disposed of appropriately.

---

## PARTS & SERVICING

---

For parts & Servicing, please contact your nearest dealer, or CLARKE International, on one of the following numbers.

**PARTS & SERVICE TEL: 020 8988 7400**

**PARTS & SERVICE FAX: 020 8558 3622**

**or e-mail as follows:**

**PARTS: [Parts@clarkeinternational.com](mailto:Parts@clarkeinternational.com)**

**SERVICE: [Service@clarkeinternational.com](mailto:Service@clarkeinternational.com)**

# A SELECTION FROM THE VAST RANGE OF

# Clarke®

## QUALITY PRODUCTS

### AIR COMPRESSORS

From DIY to industrial, Plus air tools, spray guns and accessories.

### GENERATORS

Prime duty or emergency standby for business, home and leisure.

### POWER WASHERS

Hot and cold, electric and engine driven - we have what you need

### WELDERS

Mig, Arc, Tig and Spot. From DIY to auto/industrial.

### METALWORKING

Drills, grinders and saws for DIY and professional use.

### WOODWORKING

Saws, sanders, lathes, mortisers and dust extraction.

### HYDRAULICS

Cranes, body repair kits, transmission jacks for all types of workshop use.

### WATER PUMPS

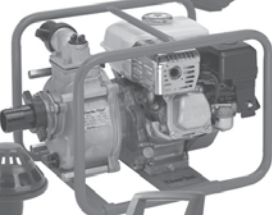
Submersible, electric and engine driven for DIY, agriculture and industry.

### POWER TOOLS

Angle grinders, cordless drill sets, saws and sanders..

### STARTERS/CHARGERS

All sizes for car and commercial use.



**PARTS & SERVICE: 0208 988 7400**

**E-mail: [Parts@clarkeinternational.com](mailto:Parts@clarkeinternational.com) or [Service@clarkeinternational.com](mailto:Service@clarkeinternational.com)**

**SALES: UK 01992 565333 or Export 00 44 (0)1992 565335**

**Clarke** INTERNATIONAL Hemnall Street, Epping, Essex CM16 4LG  
[www.clarkeinternational.com](http://www.clarkeinternational.com)