

DRAPER®

D20
MULTI-TOOL BATTERY SYSTEM

EN

Original Instructions
Version 2 – August 2023

20V

GREASE GUN

03359, 18097



UK
CA CE

1. Preface

These are the original product instructions. This document is part of the product; retain it for the life of the product, passing it on to subsequent holders. Read this manual in full before attempting to assemble, operate or maintain this product.

This Draper Tools manual describes the purpose of the product and contains all the necessary information to ensure its correct and safe use. Following all the instructions and guidance in this manual will ensure the safety of both the product and the operator and increase the lifespan of the product.

All photographs and drawings within this manual are supplied by Draper Tools to help illustrate correct operation of the product.

Every effort has been made to ensure the information contained in this manual is accurate. However, Draper Tools reserves the right to amend this document without prior warning. Always use the latest version of the product manual.

1.1 Product Reference

User Manual for: D20 20V Cordless Grease Gun

Stock No: 03359, 18097

Part No: D20GGKIT, D20GGB

1.2 Revisions

Version 1: August 2022
First release

Version 2: September 2023
General formatting and content updates. Addition of Stock number 18066 (bare product)

Please visit drapertools.com/manuals for the latest version of this manual and the associated parts list, if applicable.

1.3 Understanding the Safety Content of This Manual



WARNING! – Situations or actions that may result in personal injury or death.



CAUTION! – Situations or actions that may result in damage to the product or surroundings.

Important: – Information or instructions of particular importance.

1.4 Copyright © Notice

Copyright © Draper Tools Limited.

Permission is granted to reproduce this manual for personal and educational use **ONLY**. Commercial copying, redistribution, hiring or lending is strictly prohibited.

No part of this manual may be stored in a retrieval system or transmitted in any other form or means without written permission from Draper Tools Limited.

In all cases, this copyright notice must remain intact.

2. Contents

1. Preface	2	10.1 General Maintenance	18
1.1 Product Reference	2	10.2 Storing the Grease Gun	18
1.2 Revisions	2	10.3 Battery Care	18
1.3 Understanding the Safety Content of This Manual	2	10.4 Troubleshooting	19
1.4 Copyright © Notice	2	11. Warranty	20
2. Contents	3	12. Spares, Returns and Disposal	21
3. Product Introduction	4	13. Explanation of Symbols	22
3.1 Scope	4	Notes	23
3.2 Specification	4		
4. Health and Safety Information	5		
4.1 General Power Tool Safety Warnings	5		
4.2 Additional Safety Instructions for This Grease Gun	6		
4.3 Additional Safety Instructions for Rechargeable Batteries	6		
4.4 Connection to the Power Supply (Charger)	7		
4.5 Residual Risk	7		
5. Identification and Unpacking	8		
5.1 Product Overview	8		
5.2 What's in the Box?	9		
5.3 Packaging	9		
6. Preparing the Battery	10		
6.1 Charging the Battery	10		
6.2 Inserting and Removing the Battery	11		
7. Loading the Grease Gun	12		
7.1 Attaching the Hose and Coupler	12		
7.2 Installing and Removing a Grease Cartridge	12		
7.3 Filling the Grease Gun From a Bulk Container	13		
7.4 Filling the Grease Gun Using a Filler Pump	14		
7.5 Priming the Grease Gun and Expelling Air Pockets	14		
8. Operating Instructions	16		
8.1 Operation	16		
8.2 The Strap	16		
8.3 The Safety Valve	16		
9. The Control Panel	17		
9.1 Output Selection	17		
9.2 LED Worklight	17		
9.3 Monitoring Grease Flow	17		
9.4 LCD Warning Mode and Safety Cut-Outs	17		
10. Maintenance and Troubleshooting	18		

3. Product Introduction

3.1 Scope


This product is designed for the application of lubrication to fixtures and fittings and can be loaded via cartridges or from bulk. Outputs and diagnostics are indicated on an LCD display.

Important: This product is suitable for use with standard lithium-based lubricants (NLGI grades 2 and 3) **ONLY. DO NOT** use this product to dispense water, adhesives or corrosive substances.

3.2 Specification

Stock No(s).	03359,18097 (bare product)
Part No(s).	D20GGKIT, D20GGB (bare product)
Rated voltage:	20V DC
High output mode:	
Max. pressure:	10,000psi (689.5bar)
Max. flow rate:	140g/min
Low output mode:	
Max. pressure:	6,000psi (413.7bar)
Max. flow rate:	100g/min
Operating temperature:	-10 to +40°C
Capacities:	
Cartridge:	400g, Ø54mm
Bulk:	450g
Sound pressure level:	<70dB(A)
Vibration:	<2.3m/s ²
Hose length:	1.06m
Net weight:	2.82kg

Important: The declared vibration total values and noise emissions values have been measured in accordance with a standard test method and may be used for comparing one tool with another. These values may also be used in a preliminary assessment of exposure.

 **WARNING! The vibration and noise emissions during actual use of the product can differ from the declared values depending on the mode selected and the workpiece upon which it is used. Before each use, estimate the likely exposure resulting from the actual conditions of use. Take into account all parts of the operation cycle in order to identify any safety measures required to protect the operator.**

This product is part of the D20 multi-tool battery system and is suitable for regular use by enthusiasts and tradespersons alike.

 **WARNING! This product is not a toy and must be respected.**

Read this manual in full before attempting to assemble, operate or maintain the product and retain it for later use.

Charger

Stock No.:	97914
Part No.:	D20BSC/2
Applicable batteries:	55887
	00649
	55898
	55907
Charging times:	2.0Ah: 55 minutes
	3.0Ah: 85 minutes
	4.0Ah: 110 minutes
	5.0Ah: 150 minutes
Rated voltage:	230V AC
Rated frequency:	50–60Hz
Rated output:	70W
Rated DC output voltage:	20V
Rated DC output current:	2.4A
Protective device rated current:	8A
Construction:	Class II
Net weight:	0.42kg

Battery

Stock No.:	55887
Part No.:	D20B2.0AH
Type:	Li-ion
Rated voltage:	20V
Rating:	2.0Ah
Suitable ambient conditions:	
Temperature during operation:	-15 to 50°C
Temperature during charging:	4 to 40°C
Temperature during storage:	0 to 45°C

4. Health and Safety Information

Important: Read all the Health and Safety instructions before attempting to operate, maintain or repair this product. Non-compliance with these instructions may result in injury or damage to the user or the product.

4.1 General Power Tool Safety Warnings



WARNING! Read all safety warnings, instructions, illustrations and specifications provided with this power tool. Failure to follow all instructions listed below may result in electric shock, fire and/or serious injury.

Save all warnings and instructions for future reference.

The term "power tool" in the warnings refers to your mains-operated (corded) power tool or battery-operated (cordless) power tool.

Work area safety

- Keep work area clean and well lit.
 - Cluttered or dark areas invite accidents.
- Do not operate power tools in explosive atmospheres, such as in the presence of flammable liquids, gases or dust.
 - Power tools create sparks which may ignite the dust or fumes.
- Keep children and bystanders away while operating a power tool.
 - Distractions can cause you to lose control.

Electrical safety

- Power tool plugs must match the outlet. Never modify the plug in any way. Do not use any adapter plugs with earthed (grounded) power tools.
 - Unmodified plugs and matching outlets will reduce the risk of electric shock.
- Avoid body contact with earthed or grounded surfaces, such as pipes, radiators, ranges and refrigerators.
 - There is an increased risk of electric shock if your body is earthed or grounded.
- Do not expose power tools to rain or wet conditions.
 - Water entering a power tool will increase the risk of electric shock.
- Do not abuse the cord. Never use the cord for carrying, pulling or unplugging the power tool. Keep cord away from heat, oil, sharp edges or moving parts.
 - Damaged or entangled cords increase the risk of electric shock.

- When operating a power tool outdoors, use an extension cord suitable for outdoor use.
 - Use of a cord suitable for outdoor use reduces the risk of electric shock.
- If operating a power tool in a damp location is unavoidable, use a residual current device (RCD) protected supply.
 - Use of an RCD reduces the risk of electric shock.

Personal safety

- Stay alert, watch what you are doing and use common sense when operating a power tool. Do not use a power tool while you are tired or under the influence of drugs, alcohol or medication.
 - A moment of inattention while operating power tools may result in serious personal injury.
- Use personal protective equipment. Always wear eye protection.
 - Protective equipment such as a dust mask, non-skid safety shoes, hard hat or hearing protection use for appropriate conditions will reduce personal injuries.
- Prevent unintentional starting. Ensure the switch is in the off-position before connecting to a power source and/or battery pack or picking up or carrying the tool.
 - Carrying power tools with your finger on the switch or energising power tools that have the switch on invites accidents.
- Remove any adjusting key or wrench before turning the power tool on.
 - A wrench or a key left attached to a rotating part of the power tool may result in personal injury.
- Do not overreach. Keep proper footing and balance at all times.
 - This enables better control of the power tool in unexpected situations.
- Dress properly. Do not wear loose clothing or jewellery. Keep your hair and clothing away from moving parts.
 - Loose clothes, jewellery or long hair can be caught in moving parts.
- If devices are provided for the connection of dust extraction and collection facilities, ensure these are connected and properly used.
 - Use of dust collection can reduce dust-related hazards.

4. Health and Safety Information

- Do not let familiarity gained from frequent use of tools allow you to become complacent and ignore tool safety principles.
 - A careless action can cause severe injury within a fraction of a second.

Power tool use and care

- Do not force the power tool. Use the correct power tool for your application.
 - The correct power tool will do the job better and safer at the rate for which it was designed.
- Do not use the power tool if the switch does not turn it on and off.
 - Any power tool that cannot be controlled with the switch is dangerous and must be repaired.
- Disconnect the plug from the power source and/or remove the battery pack, if detachable, from the power tool before making any adjustments, changing accessories or storing power tools.
 - Such preventive safety measures reduce the risk of starting the power tool accidentally.
- Store idle power tools out of the reach of children and do not allow persons unfamiliar with the power tool or these instructions to operate the power tool.
 - Power tools are dangerous in the hands of untrained users.
- Maintain power tools and accessories. Check for misalignment or binding of moving parts, breakage of parts and any other condition that may affect the power tool's operation. If damaged, have the power tool repaired before use.
 - Many accidents are caused by poorly maintained power tools.
- Keep cutting tools sharp and clean.
 - Properly maintained cutting tools with sharp cutting edges are less likely to bind and are easier to control.
- Use the power tool, accessories and tool bits, etc., in accordance with these instructions, taking into account the working conditions and the work to be performed.
 - Use of the power tool for operations different from those intended could result in a hazardous situation.
- Keep handles and grasping surfaces dry, clean and free from oil and grease.
 - Slippery handles and grasping surfaces do not allow for safe handling and control of the tool in unexpected situations.

Service

- Have your power tool serviced by a qualified repair person using only identical replacement parts.
 - This will ensure that the safety of the power tool is maintained.

4.2 Additional Safety Instructions for This Grease Gun

- Use this product **ONLY** with the hose supplied.
 - If the hose becomes damaged, contact Draper Tools for replacement options.
- Have the hose replaced immediately if it shows signs of wear, kinks or damage to the exterior.
- **NEVER** carry this product by the hose.
- This product can generate pressure up to 10,000psi; **ALWAYS** wear eye protection.
- Keep hands clear of the rubber parts of the hose during use.
- If the tool or target grease point has become jammed, release the trigger and investigate the blockage.
 - **DO NOT** continue to depress the trigger as this may damage the tool or the battery.

Important: Read and understand the safety information and instructions for any lubricant product before using it with this tool.



WARNING! Lubricants may be highly flammable. Keep this product and any lubricants away from open flames, sparks and other sources of heat. DO NOT use flammable lubricants in this tool.

4.3 Additional Safety Instructions for Rechargeable Batteries

Important: Use **ONLY** the Draper Tools D20 range battery pack and charger supplied with this product. **DO NOT** use this charger with any batteries that are not part of the Draper Tools D20 range.



WARNING! DO NOT use or charge the battery if leakage is evident.

Chargers



WARNING! NEVER charge non-rechargeable or damaged batteries.

- The supplied charger is for indoor use **ONLY**.
- Before connecting the charger to the power supply, check that the plug, cable and charger casing are in good condition and have any damaged part immediately repaired by a suitably qualified person.

4. Health and Safety Information

- Connect the supplied charger to a rated mains outlet **ONLY**.
 - **DO NOT** plug the charger into site generators, engine generators or DC power sources.
- **ALWAYS** disconnect the charger from the power supply before removing the battery.
- Charge the battery in a dry and well-ventilated environment in ambient temperatures between 5 and 40°C, ensuring that the ventilation slots on the charger casing are not obstructed.
- **DO NOT** short-circuit the battery by connecting the positive and negative terminals while it is outside of the product.
 - Keep the battery away from metallic objects that may inadvertently allow connection of the terminals.
- The supplied charger is a Class II appliance.

Batteries

- **DO NOT** open, crush or burn the battery as this may release potentially harmful chemicals.
- **DO NOT** expose the battery to temperatures greater than 50°C.
- **DO NOT** attempt to charge batteries that exhibit a temperature that is not between 5 and 30°C.
 - Allow batteries that are too hot or too cold to normalise before charging.
- **DO NOT** expose the battery pack to rain or other wet conditions.
- **ALWAYS** remove the battery before storing the product for extended periods.
- **ALWAYS** remove the battery from the tool before recycling and dispose of it in accordance with local regulations.
- If a fire occurs, use a CO₂ or dry chemical extinguisher.



WARNING! The electrolyte in this battery pack is corrosive. Avoid contact with skin.

If contact occurs, flush the area with clean water and pat it dry. Seek medical attention at the earliest opportunity and inform the responder that the contaminant is a "high-alkaline corrosive liquid". If contact with the eyes occurs, flush immediately with plenty of water **ONLY** and seek medical advice at the earliest opportunity.

4.4 Connection to the Power Supply (Charger)

This appliance is supplied with an approved plug and cable for your safety.

If the power supply cord is damaged, it must be replaced by Draper Tools, an authorised service agent or similarly qualified personnel in order to avoid a hazard.

The damaged or incomplete plug, when cut from the cable, shall be disabled to prevent connection to a live electrical outlet.

This product and its charger are Class II* appliances and are designed for connection to a power supply matching that detailed on the rating label and compatible with the plug fitted.

The fuse in the power supply for this product cannot be replaced. Contact Draper Tools for replacement options if the fuse in the supplied plug has blown.

If an extension lead is required, use an approved and compatible lead rated for this appliance.

Follow all the instructions supplied with the extension lead.

Important: Always follow the extension lead instructions regarding maximum load while the cable is wound. If in doubt, unwind the entire cable. A coiled extension lead generates heat which could melt the lead and cause a fire.

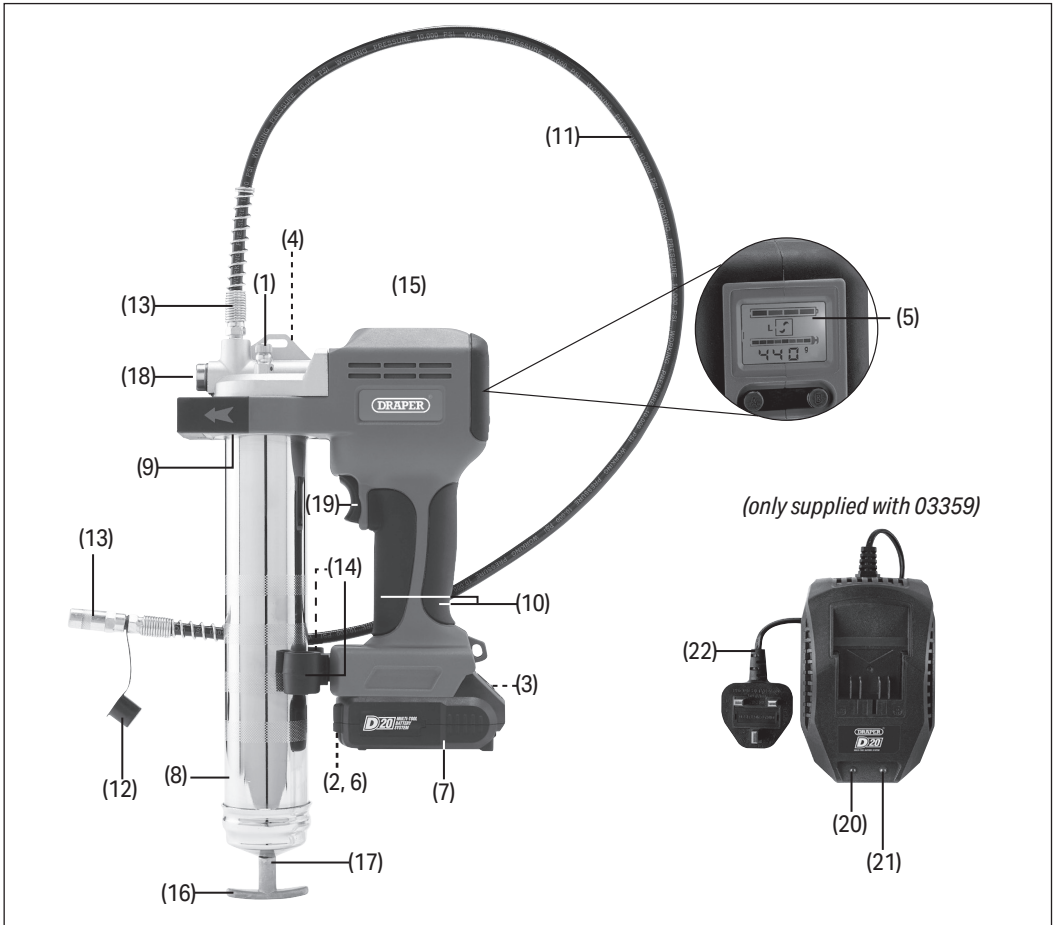
***Double insulated:** This product is double insulated and does not require an earth connection to protect against electric shock from accessible conductive parts in the event of failure of the basic insulation.

4.5 Residual Risk

The safety instructions in this manual cannot account for all possible conditions and situations that may occur. Exercise common sense and caution when using this product and protect against any additional conceivable risks.

5. Identification and Unpacking

5.1 Product Overview



- | | |
|--|---------------------------------|
| (1) Air vent valve | (12) Hose cap |
| (2) Battery charge indicators | (13) Hose coupler |
| (3) Battery release button | (14) Hose coupler holders |
| (4) Bulk filler nipple | (15) LED worklight |
| (5) Control panel | (16) Plunger handle |
| (6) Charge indicator button | (17) Plunger rod |
| (7) D20 battery pack (2.0Ah) <i>(only supplied with 03359)</i> | (18) Safety valve |
| (8) Grease tube | (19) Trigger switch |
| (9) Grease tube head | (20) Power indicator (red) |
| (10) Grips | (21) Charging indicator (green) |
| (11) Hose | (22) Power cable and plug |

5. Identification and Unpacking

5.2 What's in the Box?

Carefully remove the product from the packaging and examine it for any signs of damage that may have occurred during shipment.

Before assembling the product, lay the contents out and check them against the parts shown below. If any part is damaged or missing, do not attempt to use the product. Please contact the Draper Helpline; contact details can be found at the back of this manual.



- (A) 1 x Grease gun
- (B) 1 x 2.0Ah D20 battery pack (03359 only)
- (C) 1 x D20 battery charger (03359 only)
- (D) 1 x Canvas bag (03359 only)
- (E) 1 x Strap (03359 only)

5.3 Packaging

Keep the product packaging for the duration of the warranty period for reference should the product need to be returned for repair.



WARNING! Keep packaging materials out of reach of children. Dispose of packaging correctly and responsibly and in accordance with local regulations.

Please visit drapertools.com for our full range of accessories and consumables.

6. Preparing the Battery

Important: Read all the health and safety instructions listed in this manual before attempting to use the product. **DO NOT** make any adjustments to the product while the trigger switch is depressed.

6.1 Charging the Battery



CAUTION! ALWAYS ensure that the output voltage of the charger matches the voltage of the battery pack before use. Ensure that both the battery pack and charger are not damaged in any way. **NEVER** charge or use a damaged battery or charger; contact Draper Tools for support.

Important: Stock No.03359 is supplied with the appropriate battery and charger. **DO NOT** use any other charger to charge batteries for use with this product. Similarly, for the 'bare' version of this product (Stock No.18097) **ONLY** use the appropriate batteries and chargers from the Draper Tools D20 range.

Important: This battery is supplied without charge and **MUST** be charged for at least 90 minutes before first use.

5. When charging is complete, the charging indicator stays illuminated and the power indicator goes out.
6. To remove the battery pack from the charger, press the battery release button (3) and slide the battery away.



CAUTION! The battery and charger may be hot after extended periods of charging. Disconnect the power supply and allow the battery and charger to cool before attempting to remove the battery. Allow at least 15 minutes before reusing the battery charger.

If the power indicator begins to flash during charging, there may be a problem with the battery. Remove the battery and check for obstructions and debris around the charging contacts. If the problem is not resolved, stop charging the battery immediately and contact Draper Tools for support.

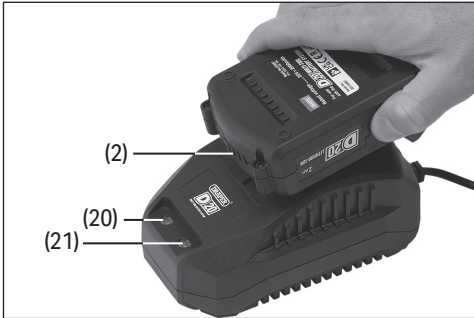


Fig. 1

1. Remove the battery from the tool; see **7.2 Inserting and Removing the Battery**.
2. Connect the charger power cable to a power supply. The red power indicator (20) illuminates when the charger is powered.
3. Slide the battery into the charger until it clicks. The green charging indicator (21) flashes to indicate that the battery is charging.
4. The current charge level of the battery pack is shown by the battery charge indicators (2) on the front of the battery base; a greater number of illuminated LEDs indicates a greater level of charge.

6. Preparing the Battery

6.2 Inserting and Removing the Battery

Important: **ONLY** use this tool with batteries and chargers from the Draper Tools D20 range. Read all the safety and operation instructions provided with these parts before use.

Important: **ALWAYS** ensure that the trigger switch is **NOT** depressed when inserting or removing the battery.

- To install a battery pack (B), slide the contacts into the base of the grease gun until it clicks into place.
Important: **DO NOT** force the battery, and ensure it is firmly secured before use.
- To remove a battery pack, press and hold the battery release button (3) and slide the battery away from the tool.



Fig. 2

To view the battery charge on the battery itself, press the charge indicator button (6) at any time.



Fig. 3

7. Loading the Grease Gun

The grease gun can be loaded using several methods to best suit the resources available.

Important: ALWAYS ensure that the air vent valve (1) is tightened before loading the grease gun, regardless of method.

CAUTION! The grease gun may be loaded with lubricants rated to NLGI numbers 2 or 3 ONLY. **DO NOT** load water, adhesives or corrosive liquids into the grease tube.

7.1 Attaching the Hose and Coupler

The hose and coupler are installed before shipment.

The hose (11) should be attached to the hose connection (23) on the top of the tool body and **tightly** secured using a spanner or other tool.

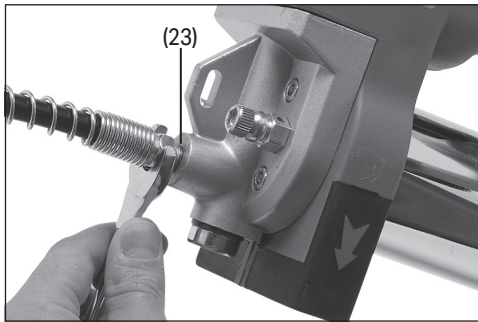


Fig. 4

If it has been removed, firmly attach the hose coupler (13) to the other end of the hose, leaving the hose cap in place until the tool is ready for use.

7.2 Installing and Removing a Grease Cartridge

CAUTION! NEVER install crushed or notched cartridges into the grease tube.

To install a cartridge:

1. Unscrew and remove the grease tube (8) from the grease tube head (9).

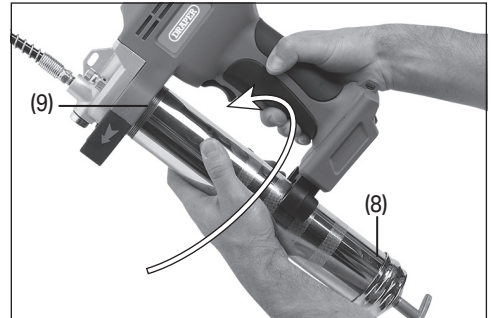


Fig. 5

2. Pull the plunger handle (16) outward until it is fully extended and latch the plunger rod locking groove (24) into the plunger lock slot (25).

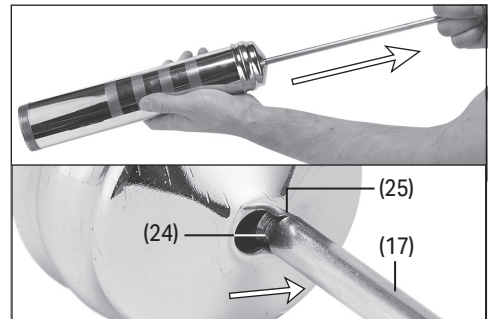


Fig. 6

7. Loading the Grease Gun

- Remove the plastic cap from the cartridge and twist the open end into the grease tube.

Important: DO NOT dispose of the cartridge caps until the cartridge is empty in case it must be stored in a partially used state.

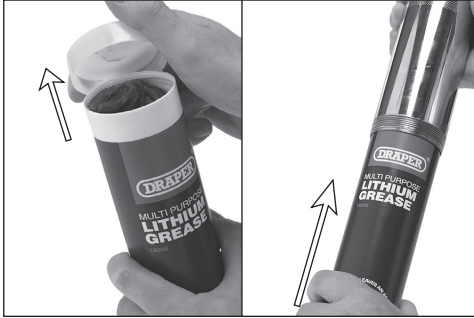


Fig. 7

- Remove the ring-pull seal from the other end of the cartridge and screw the grease tube tightly back into the grease tube head.



Fig. 8

- Prime the grease gun; see **8.5 Priming the Grease Gun and Expelling Air Pockets**.

- Slide the rod all the way into the grease tube.

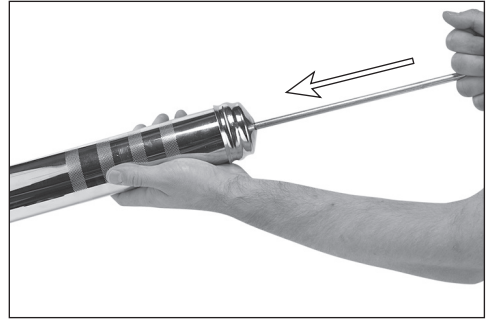


Fig. 9

- Reset the control panel display; see **10.3 Monitoring Grease Flow**.

To remove a cartridge:

- Loosen the grease tube by one turn and pull the plunger handle until it is fully extended.
- Unscrew the grease tube from the grease tube head and pull the cartridge out of the open end of the tube.

Grease cartridges with a smaller thread can screw directly into the grease tube head.

Dispose of old cartridges responsibly and in accordance with local regulations.

7.3 Filling the Grease Gun From a Bulk Container

Important: This method of loading is particularly susceptible to contamination of the lubricant and grease tube. Take extra care to maintain a clean environment and prevent contamination when loading in this way.

- Unscrew and remove the grease tube (8) from the grease tube head (9).

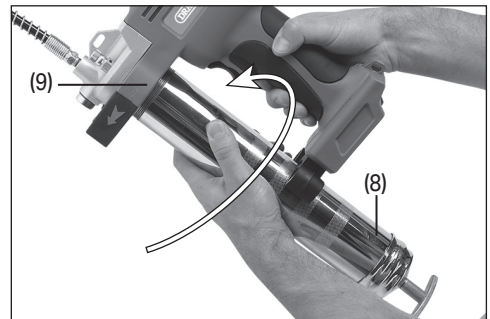


Fig. 10

7. Loading the Grease Gun

2. Ensure that the open end of the grease tube is free from any dust or debris, and push the plunger handle inwards as far as possible.

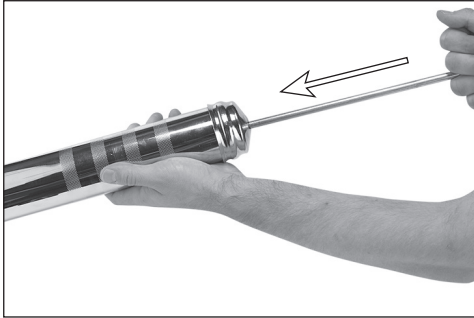


Fig. 11

3. Ensure that the open end of the grease tube is free from any dust or debris, and push the plunger handle inwards as far as possible.
4. Fully insert the open end of the grease tube into the lubricant.
5. Slowly pull the plunger handle outwards until it is fully drawn, ensuring that the end of the tube is completely covered at all times.

Important: If a break in the suction occurs at any time during loading, empty the tube into the container and begin loading again.

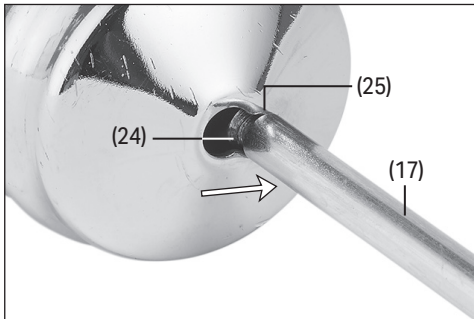


Fig. 12

6. When the plunger rod (17) is fully extended, latch the groove (24) into the plunger lock slot (25) and wipe away any excess grease from the open end of the tube.
7. Screw the grease tube tightly back into the grease tube head and clean any excess grease from the grease tube exterior.

8. Prime the grease gun; see **8.5 Priming the Grease Gun and Expelling Air Pockets.**
9. Slide the rod all the way into the grease tube.
10. Reset the control panel display; see **10.3 Using the Control Panel.**

7.4 Filling the Grease Gun Using a Filler Pump

Important: A filler pump (not supplied) must be fitted to the bulk container in order to use this method to load the grease gun.

1. Push the handle inwards as far as possible.
2. Insert the bulk filler nipple into the filler pump socket.
3. Operate the bulk filler until the plunger rod locking groove (24) aligns with the locking slot (25).



CAUTION!
DO NOT overfill the grease tube.

4. Release the plunger rod from the locking slot and slide the rod all the way into the grease tube.
5. Reset the control panel display; see **10.3 Monitoring Grease Flow.**

7.5 Priming the Grease Gun and Expelling Air Pockets

Important: The grease gun must be primed every time the grease gun is loaded in order to purge any air pockets from the grease tube. The battery pack must be installed in order to fully prime the tool.

This process can be used to prime the tool after loading and to expel air pockets that may form during use.

1. Load the grease gun using the chosen method and ensure that the plunger rod (17) is fully extended and locked into place.

7. Loading the Grease Gun

2. Loosen the air vent valve (1) by a couple of turns.

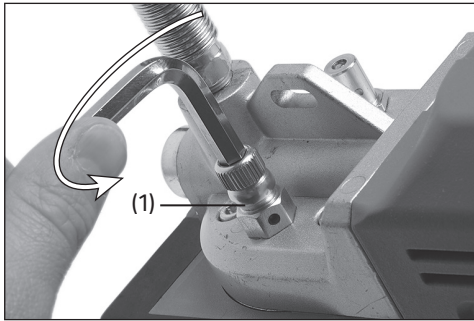


Fig. 13

3. Release the plunger rod from the lock slot (25) and apply pressure to the handle until grease is expelled from the opening.
4. If grease is not expelled, tighten the air vent valve and repeat this process several times.
Important: If, after several attempts, grease is not expelled from the valve, remove the grease tube, manually pack the inside of the tube head (9) with grease and then try again.
5. Tighten the air vent valve securely and squeeze the trigger switch (19) until grease is expelled from the hose.

Air pockets may be created during operation and cause the tool to lose pressure. The priming process can also be completed by loosening the grease tube by one full turn instead of opening the air vent valve and following the same procedure.

Important: Before use, read and understand all the safety instructions listed in this manual. **ALWAYS** ensure that the grease gun is primed before operation.

8. Operating Instructions

8.1 Operation

1. Insert a suitable battery pack (see 7.2 Inserting and Removing the Battery).



Fig. 14

2. Set the output mode as required (see 10.1 Output Selection).
3. Remove the hose cap (12) and attach the hose coupler (13) to an appropriate grease fitting. **Important:** Ensure that the coupler fits snugly around the grease fitting and hold it in place to prevent disconnection

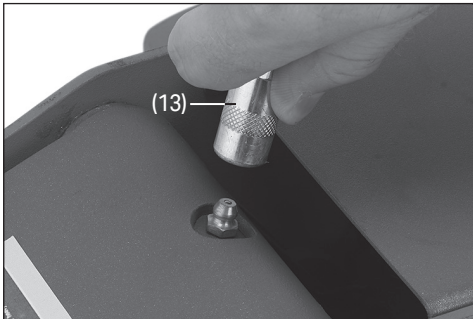


Fig. 15

4. Squeeze the trigger switch (19) to dispense the lubricant.

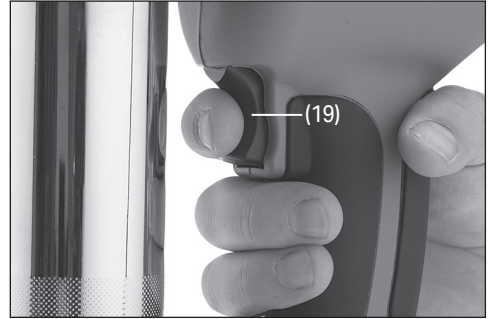


Fig. 16

5. Remove the hose coupler from the grease fitting. **Important: DO NOT** pull on the hose to disconnect the coupler.

8.2 The Strap

The grease gun can be used with the strap supplied for hands-free transportation during use. Attach the strap clips to the top and bottom loops of the grease gun body.

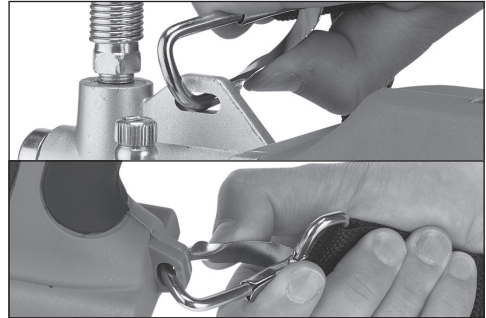


Fig. 17

8.3 The Safety Valve

The safety valve (18) is preset at 10,000psi ($\pm 1,000$ psi) before shipment. If this pressure level is reached, the grease gun will not dispense grease.

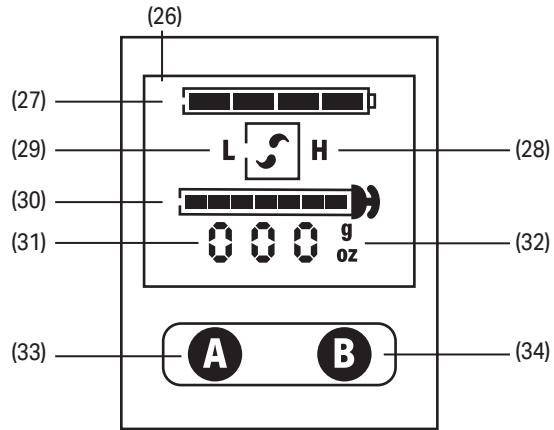
If this occurs, clean around the safety valve and check for blockages and debris in the grease tube (8), grease tube head (9) and hose (11) and ensure that the target bearing is not clogged. Blockages within the grease gun can also be cleared by fully loosening the air vent valve (1) and using a brush to clean inside the opening.

Important: DO NOT adjust this valve under any circumstances. Doing so will not improve the grease gun performance, will invalidate your warranty and may lead to injury.

9. The Control Panel

The LCD display illuminates automatically when the trigger switch is depressed and switches off after 20 seconds of inactivity. The tool battery level is displayed at the top of the display.

26. LCD display
27. Battery level
28. High output mode
29. Low output mode
30. Remaining grease level
31. Grease output reading
32. Grease output units
33. Button A
34. Button B



9.1 Output Selection

The grease gun can be programmed to operate in either low or high output mode.

To switch between output modes, press and release button B (34). The active mode is shown on the LCD display (28) (29).

9.2 LED Worklight

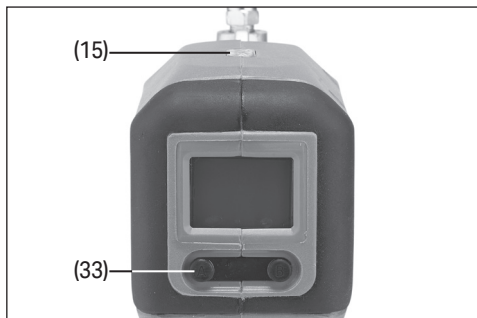


Fig. 19

The grease gun is fitted with an LED worklight (15) that can be switched on and off as required.

To switch on the worklight, press and release button A (33). Press the button again to switch off the light.

9.3 Monitoring Grease Flow

The LCD display indicates how much lubricant has been dispensed since the reading was last reset. This value can be displayed in either grams (g) or ounces (oz).

To switch between measurement units, press and hold button A (33) for up to ten seconds. To reset the reading, press and hold button B (34) for up to ten seconds.

An approximate indication of the remaining lubricant is also displayed. When no more grease is available in the tube, the LCD display enters warning mode; see **10.4 LCD Warning Mode and Safety Cut-Outs**.

9.4 LCD Warning Mode and Safety Cut-Outs

The grease gun will automatically detect the following issues:

- The tool is drawing more than 40A of current from the battery.
- An air pocket in the grease tube is preventing the tool from functioning.

When these issues occur, the LCD display flashes red and the motor stops automatically. Check the hose, grease tube and grease tube head for blockages and expel any air pockets that have accumulated.

10. Maintenance and Troubleshooting

Important: Read all the health and safety information before attempting to maintain or repair this product. **ALWAYS** remove the battery before performing any maintenance.

10.1 General Maintenance

- Clean the tool thoroughly after each use and before storing it for extended periods.
 - Wipe away as much grease as possible from the tool exterior using a dry cloth.
 - Remove the grease tube and clear any residual grease from the grease tube head.
 - **DO NOT** use solvents or aggressive chemicals to clean the tool body as these substances may damage plastic parts.
 - Penetrating oils can be injected into the tool head to help remove trapped grease within the mechanism.
- Keep the grease tube, grease tube head and hose assembly clean and free from debris.
- **ALWAYS** empty or unload the tool before storing it for longer periods as lubricants may separate and damage the internal workings of the tool.
- **ALWAYS** remove the battery pack from the tool when it is not in use.

10.2 Storing the Grease Gun

- Clean the tool and hose assembly thoroughly before storing it for extended periods.
- Remove the battery pack and empty any lubricants before storing the products.
- Store any open grease cartridges separately with both ends covered.

Important: Take care not to allow dust or debris to contaminate an open cartridge. **DO NOT** return bulk-loaded grease to its original container once it has been loaded.
- Store the product in a clean and dry location, away from direct sunlight and out of reach of children.

Important: Prolonged exposure to sunlight or warm temperatures may cause residual lubricants to separate and damage the electrical components of the tool.
- When stored for extended periods, charge the battery periodically to maintain its health.

10.3 Battery Care

- Avoid allowing the battery pack to become completely exhausted before recharging.
 - When the tool power becomes noticeably weaker, stop using the tool and recharge the battery pack.

Important: Continuing to use the tool with a low charge may permanently damage the battery.
- Avoid charging the battery at high temperatures and allow it to cool after use before recharging.
 - Charging a battery while it is warm may damage its internal components and reduce its operational lifespan.
 - The battery pack should only be used or charged when its temperature is between 5 and 30°C.
- If neither of the charger indicators (20) (21) illuminates when the charger is connected to an active power supply and a battery is connected, disconnect the charger **IMMEDIATELY** and have it replaced or repaired.

10.4 Troubleshooting

Problem	Possible Cause	Remedy
The motor does not start when the trigger is depressed.	The battery is not charged or is not attached.	Charge and attach the battery (see 7.1 and 7.2).
	The motor connection has developed a fault.	Contact Draper Tools for repair and replacement options.
The grease gun does not expel grease when the trigger switch is depressed.	The loaded lubricant is exhausted.	Reload the grease tube using the desired method (see 8).
	The tool has not been primed or an air pocket has accumulated.	Prime the tool to expel any collected air (see 8.5).
The grease gun continues to fail even after priming.	Air is trapped in multiple places in the mechanism, or the plunger follower is binding inside the grease tube.	Empty and thoroughly clean the tool to ensure all contaminants and air pockets have been purged. Then reload and retry.
	The lubricant has separated and is no longer usable	Empty and clean the tool IMMEDIATELY to prevent any oil from accessing the electric controls.
The battery will not charge or cannot hold its charge.	The power supply to the charger is inactive or faulty.	Check the charger power connection.
	The battery or charger has developed a fault.	Contact Draper Tools for replacement and repair options.

11. Warranty

Draper power tools have been carefully tested & inspected and are guaranteed to be free from defective materials or workmanship.

For details of warranty and terms and conditions please visit the Draper Tools website at www.drapertools.com/warranty

12. Spares, Returns and Disposal

For spare parts, servicing, and repair and replacement options, please contact the Draper Tools Product Helpline for details of your nearest authorised agent.

Draper Tools will endeavour to hold any spare parts, if applicable, for seven years from the date that it sells the final matching stock item.

Any servicing or repairs carried out by unauthorised personnel or installation of spare parts not supplied by Draper Tools will invalidate your warranty.

Important: For safety, **ALWAYS** drain and clean the product of any grease or other substances before returning it to Draper Tools or its authorised agent. Store these materials in suitable containers and dispose of them in accordance with local regulations. Draper Tools and its agents cannot be responsible for the disposal of these substances.

At the end of its working life, dispose of the product responsibly and in line with local regulations. Recycle where possible.

- **DO NOT** dispose of this product with domestic waste; most local authorities provide appropriate recycling facilities.
- **DO NOT** burn or mutilate batteries; this may release toxic or corrosive substances.
- Dispose of lubricants separately and in accordance with local regulations; **DO NOT** abandon it in the environment.



13. Explanation of Symbols



Read the instruction manual



Warning!



Do not incinerate or throw onto fire



Do not abandon in the environment



Wear suitable eye/face protection



Wear protective gloves



Keep out of the reach of children



Class II construction
(Double insulated)



Lithium-ion product



Fuse-protected device



For indoor use only;
do not expose to rain



Polarity indication



Max. output pressure



Max. flow rates



Lubricant load capacities



Battery level indicator



High/low output mode



Output in g/oz



WEEE -

Waste Electrical & Electronic Equipment

Do not dispose of Waste Electrical & Electronic Equipment
in with domestic rubbish



European conformity



UK Conformity Assessed



Contact Details

Draper Tools

Draper Tools Limited
Hursley Road
Chandler's Ford
Eastleigh
Hampshire
SO53 1YF
UK

Website: drapertools.com

Email: sales@drapertools.com

Product Helpline: +44 (0) 23 8049 4344

Telephone Sales Desk: +44 (0) 23 8049 4333

General Enquiries: +44 (0) 23 8026 6355

General Fax: +44 (0) 23 8026 0784

Delta International

Delta International BV
Oude Graaf 8
6002 NL
Weert
Netherlands

Please contact the Draper Tools Product Helpline for repair and servicing enquiries.