

CLAMPBRO®



MOTORCYCLE DOLLY

MODEL NO: MCD1

PART NO: 7610139

OPERATION & MAINTENANCE INSTRUCTIONS

LS0112

INTRODUCTION

Thank you for purchasing this CLARKE Motorcycle Dolly.

Before attempting to operate this product, it is essential that you read this manual thoroughly and carefully follow all instructions given. In doing so you can look forward to the product giving you long and satisfactory service.

GUARANTEE

This CLARKE product is guaranteed against faulty manufacture for a period of 12 months from the date of purchase. Please keep your receipt as proof of purchase.

This guarantee is invalid if the product is found to have been abused or tampered with in any way, or not used for the purpose for which it was intended.

Faulty goods should be returned to their place of purchase, no product can be returned to us without prior permission.

This guarantee does not affect your statutory rights.

UNPACKING

Unpack and check the contents with the list below. Should there be any damaged or missing parts, contact your supplier immediately.

20 x Hex Bolts M6	10 x Nut M8
8 x Cheese Head Bolts	1 x Side Tray
8 x Hex Bolts M8	2 x Main Frames
2 x Countersunk Bolts M8	5 x Castors
28 x Flat Washers M6	4 x Connecting Plates
28 x Spring Washers M6	2 x Carriages (Carriage A and Carriage B)
28 x Nuts M6	2 x Stopper Rods
10 x Flat Washers M8	2 x Connecting Bars
10 x Spring Washers M8	1 x Instruction Manual

SAFETY INSTRUCTIONS AND WARNINGS

PLEASE READ THESE INSTRUCTIONS CAREFULLY AND KEEP THIS INSTRUCTION MANUAL SAFE FOR FUTURE USE.

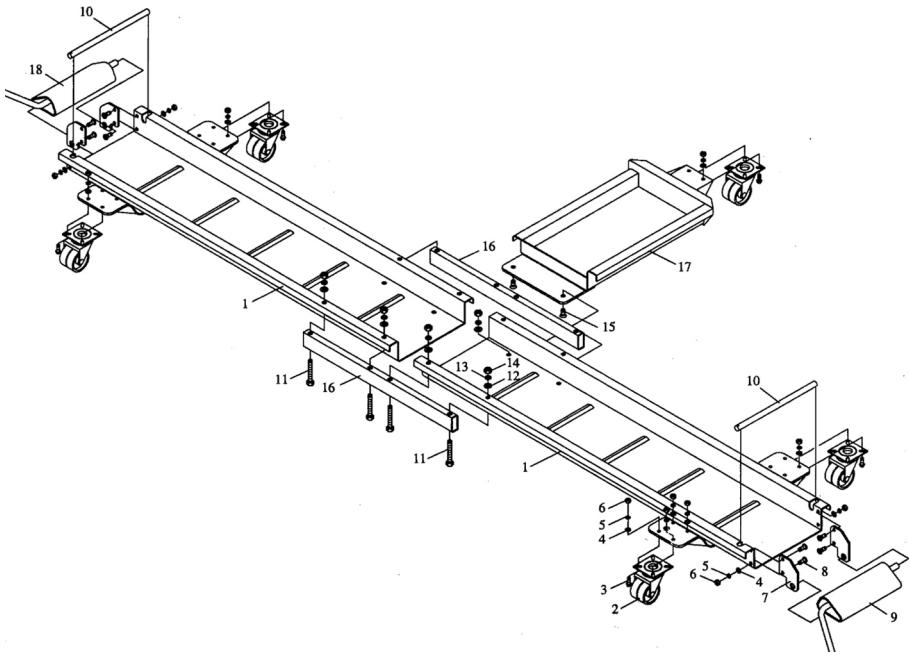
SAFETY INSTRUCTIONS AND WARNINGS

1. Maintain the dolly in good condition. Keep it clean for best and safest performance.
2. The maximum load is 567Kg (1250 Lbs). DO NOT exceed this rated capacity.
3. Use this dolly for supporting motorcycles only. DO NOT use it for any other purpose.
4. Do not stand, sit or ride on the dolly.
5. Keep children and unauthorised persons away from the work area.
6. When using this dolly to support a motorcycle DO NOT leave unattended if there is a chance of children or others entering the area.
7. Keep proper balance and footing, do not overreach, wear nonslip footwear.
8. Only use the dolly on a surface that is flat, stable, level, dry and not slippery, and capable of supporting the load.
9. Lower the handles on Carriage A and Carriage B when not in use.
10. Store the dolly in a safe, dry place and keep away from children.
11. DO NOT operate the dolly when you are tired or under the influence of alcohol, drugs or any intoxicating medication.
12. DO NOT make any modifications to the dolly.
13. DO NOT expose the dolly to rain or snow.
14. If the dolly needs repairing and/or there is any part which needs to be replaced, have it repaired by a technician and only use replacement parts supplied by the manufacturer.



WARNING: THE WARNINGS, CAUTIONS AND INSTRUCTIONS DISCUSSED IN THIS INSTRUCTION MANUAL CANNOT COVER ALL POSSIBLE CONDITIONS AND SITUATIONS THAT MAY OCCUR. IT MUST BE UNDERSTOOD BY THE OPERATOR THAT COMMON SENSE AND CAUTION ARE FACTORS WHICH CANNOT BE BUILT INTO THIS PRODUCT, BUT MUST BE SUPPLIED BY THE OPERATOR.

OVERVIEW

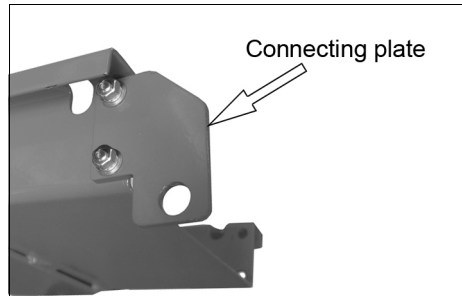


No	DESCRIPTION	PART NO
1	Frame Assembly	JMMCD101
2	Castor Assembly	JMMCD102
3	Hex Bolt M6	JMMCD103
4	Flat Washer M6	JMMCD104
5	Spring Washer M6	JMMCD105
6	Nut M6	JMMCD106
7	Connecting Plate	JMMCD107
8	Cheese Head Bolts	JMMCD108
9	Carriage A	JMMCD109

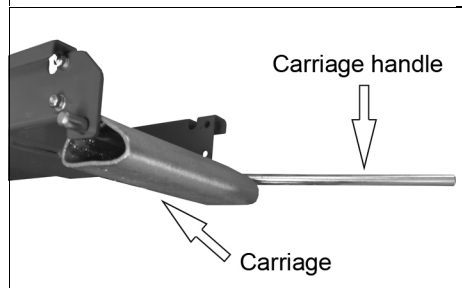
No	DESCRIPTION	PART NO
10	Stopper Rods	JMMCD110
11	Hex Bolt M8	JMMCD111
12	Flat Washer M8	JMMCD112
13	Spring Washer M8	JMMCD113
14	Nut M8	JMMCD114
15	Countersunk Bolts M8	JMMCD115
16	Connecting Bars	JMMCD116
17	Side Table	JMMCD117
18	Carriage B	JMMCD118

ASSEMBLY

1. Fit a connecting plate (7) to one end of the frame assembly (1) as shown.



2. Slide one of the carriages (9 or 18) into the hole on the connecting plate (7) as shown.



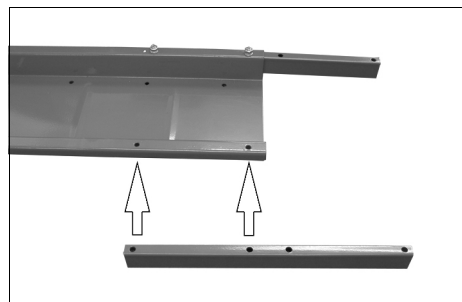
3. Slide another connecting plate (7) over the carriage handle and fix it to the frame assembly as shown.

- Secure using cheese head bolts (8), flat washers (4), spring washers (5) and nuts (6).

4. Repeat on the second frame assembly.

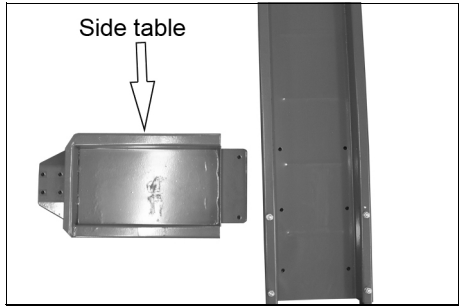


5. Fit the connecting bars (16) to one of the frame assemblies as shown and fix in place using hex bolts (11), flat washers (12), spring washers (13) and nuts (14).

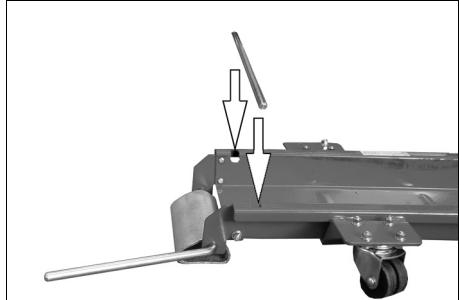


6. Fit the second frame assembly to the other half of the connecting bars and fix in place using hex bolts (11), flat washers (12), spring washers (13) and nuts (14).

7. Fit the side table (17) to the frame assemblies using countersunk bolts (15), flat washers (12), spring washers (13) and nuts (14).

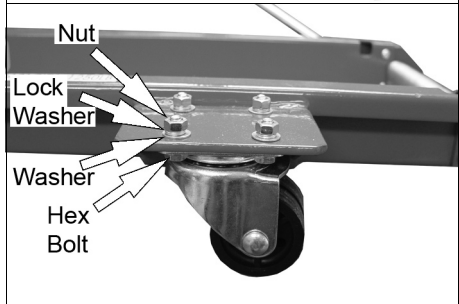


8. Place the two stopper rods (10) into the slots on each end of frame assembly.



ATTACH THE CASTORS

1. Attach two castors (2) to each end of the frame assembly and one to the side tray (17) using hex bolts (3), flat washers (4), spring washers (5) and nuts (6).
 - Secure them firmly.

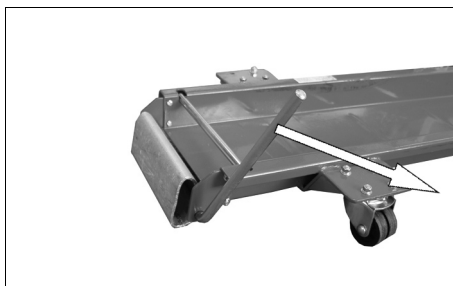
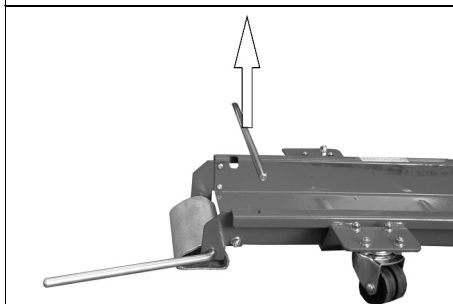
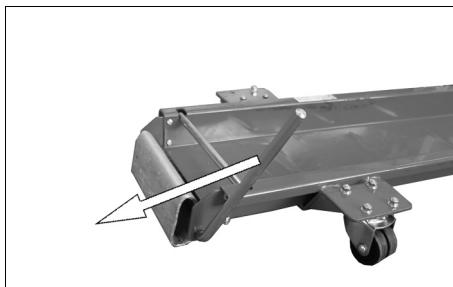


MAINTENANCE

1. Periodically check all the joints. Remove from service if any cracking is found or if the frame is bent or deformed.
2. Lubricate wheels periodically.

OPERATION

1. Rotate the carriage handles (9 & 18) downward to stop the dolly from moving.
 - This makes it easier to push the motorcycle onto the dolly.
2. Remove the stopper rod (10) from one end.
3. Push the motorcycle on to the dolly.
 - The kick stand should be on the same side as the side table (7).
4. Replace the stopper rod (10).
 - Secure the motorcycle to the dolly using straps (not supplied) to prevent the motorcycle toppling over whilst being moved.
5. Rotate the carriage handles (9 & 18) upwards to allow the dolly to be moved again.
6. ALWAYS have the carriage handles in the down position when working on the motor cycle, to stop the dolly from moving.



SPECIFICATIONS

Model Number	MCD1
Maximum Load	1250 lbs (567 kg)
Weight	30.3 kg
Maximum Tyre width	200 mm

A SELECTION FROM THE VAST RANGE OF

Clarke®

QUALITY PRODUCTS

AIR COMPRESSORS

From DIY to industrial, Plus air tools, spray guns and accessories.

GENERATORS

Prime duty or emergency standby for business, home and leisure.

POWER WASHERS

Hot and cold, electric and engine driven - we have what you need

WELDERS

Mig, Arc, Tig and Spot. From DIY to auto/industrial.

METALWORKING

Drills, grinders and saws for DIY and professional use.

WOODWORKING

Saws, sanders, lathes, mortisers and dust extraction.

HYDRAULICS

Cranes, body repair kits, transmission jacks for all types of workshop use.

WATER PUMPS

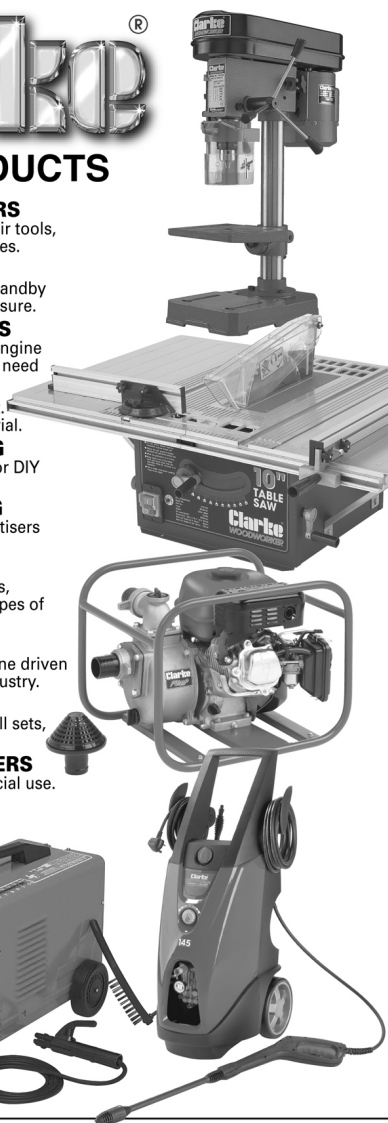
Submersible, electric and engine driven for DIY, agriculture and industry.

POWER TOOLS

Angle grinders, cordless drill sets, saws and sanders.

STARTERS/CHARGERS

All sizes for car and commercial use.



PARTS & SERVICE: 020 8988 7400

E-mail: Parts@clarkeinternational.com or Service@clarkeinternational.com

SALES: UK 01992 565333 or Export 00 44 (0)1992 565335

Clarke® INTERNATIONAL Hemnall Street, Epping, Essex CM16 4LG
www.clarkeinternational.com