

# Clarke<sup>TM</sup>

## *air*



## 24" INDUSTRIAL HIGH OUTPUT FAN

MODEL No: CAM5002

Part No: 3231550



OPERATING & MAINTENANCE  
INSTRUCTIONS

0414

***Please read these instructions carefully before operating the tool***

Thank you for purchasing this **CLARKE** 24" Industrial High Output Fan. Before using the product, please read this manual thoroughly and carefully follow all instructions given. This is for your own safety and that of others around you, and is also to help you achieve long and trouble free service from your new fan.

## **CLARKE GUARANTEE**

This CLARKE product is guaranteed against faulty manufacture for a period of 12 months from the date of purchase. Please keep your receipt as proof of purchase.

This guarantee is invalid if the product is found to have been abused or tampered with in any way, or not used for the purpose for which it was intended.

Faulty goods should be returned to their place of purchase, no product can be returned to us without prior permission.

This guarantee does not affect your statutory rights.

---

## **ENVIRONMENTAL RECYCLING POLICY**

---



Through purchase of this product, the customer is taking on the obligation to deal with the WEEE in accordance with the WEEE regulations in relation to the treatment, recycling & recovery and environmentally sound disposal of the WEEE.

In effect, this means that this product must not be disposed of with general household waste. It must be disposed of according to the laws governing Waste Electrical and Electronic Equipment (WEEE) at a recognised disposal facility.

**PARTS & SERVICE TEL: 020 8988 7400**

**or e-mail as follows:**

**PARTS: [Parts@clarkeinternational.com](mailto:Parts@clarkeinternational.com)**

**SERVICE: [Service@clarkeinternational.com](mailto:Service@clarkeinternational.com)**

**Please note that the details and specifications contained herein are correct at the time of going to print. However CLARKE International reserve the right to change specifications at any time without prior notice. Always consult the machines data plate**

## Specifications

The CAM5002 is designed for use inside ONLY, it has a powerful steel fan with a fully enclosed 250w motor. Its thermal protection is perfect for industrial environments. It has a 360° tilt range. The fan can be mounted on the ceiling and is supplied with mounting bracket.

**NOTE:** The **CAM5002 cannot** be 'flash tested' due to components used within the speed control box.

Model: .....	CAM5002
Part No: .....	3231550
Voltage: .....	230vac
Wattage: .....	250w
Speeds: .....	3
Dimensions (LWH): .....	735x340x835mm
Weight: .....	24Kg

## List of Contents

Before commencing assembly, check for damage and or shortages etc, any damage or shortage should be reported to your Clarke dealer where the fan was originally purchased.

- 1 x Fan Assembly
- 2 x Rubber Feet With Mounting Brackets
- 2 x Moulded Wheels
- 1 x Ceiling Mounting Bracket
- 3 x M12 Screws
- 3 x Ø 12mm Plain Washers
- 1 x Handle

## Safety Precautions

- **DO NOT** use in dusty environments.
- **DO NOT** use in environments with high fumes from chemicals etc.
- **DO NOT** use as an extractor fan.
- **DO NOT** use in areas of high humidity/water vapour, i.e. bathrooms etc.
- **DO NOT** connect fan to ducting system.

---

### Cleaning

- Ensure the fan is switched off, and isolated from the main electrical supply by removing the plug from the socket.
- Do not use any harmful cleaning agents for cleaning.
- Only use a clean soft dampened cloth, wipe dry after cleaning.
- DO NOT bend the blades.
- The motor bearings are permanently sealed and do not require any additional lubrication.

## Electrical Connections

This product is provided with a standard 13 amp, 230 volt (50Hz), BS 1363 plug, for connection to a standard, domestic electrical supply. Should the plug need changing at any time, ensure that a plug of identical specification is used.

### **WARNING ! THIS APPLIANCE MUST BE EARTHED**

*This machine must be wired up in accordance with the following colour code:*



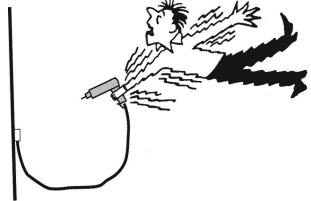
**BLUE** - **NEUTRAL**  
**BROWN** - **LIVE**  
**GREEN/YELLOW** - **EARTH**



- Connect the BLUE coloured cord to the plug terminal marked "N"
- Connect the BROWN coloured cord to the plug terminal marked "L"
- Connect the GREEN/YELLOW coloured cord to the plug terminal marked "E"

If this appliance is fitted with a plug which is moulded on to the electric cable (i.e. non-rewireable) please note:

1. The plug must be thrown away if it is cut from the electric cable. There is a danger of electric shock if it is subsequently inserted into a socket outlet.
2. Never use the plug without the fuse cover fitted.
3. Should you wish to replace a detachable fuse carrier, ensure that the correct replacement is used (as indicated by marking or colour code).
4. Replacement fuse covers can be obtained from your local dealer or most electrical stockists.



## Fuse Rating

The fuse in the plug must be replaced with one of the same rating (**13 amps**) and this replacement must be approved to BS1362.

If in doubt, consult a qualified electrician. Do not attempt any electrical repairs yourself.

## Cable Extension

Always use an approved cable extension suitable for the power rating of this tool (see specifications), the conductor size should also be at least the same size as that on the machine, or larger. When using a cable reel, always unwind the cable completely.

### **IMPORTANT:**

**If a cable extension is needed, it is essential to comply with the following data.**

Voltage	Extension length	Cable section
230v	Up to 20m	2.5mm <sup>2</sup>
230v	From 20 to 50m	4mm <sup>2</sup>

## Assembly item numbers in brackets refer to parts list on page 5.

Some assembly is required before using the fan.

Decide first if the fan is to be used on the floor or ceiling mounted.

### Floor Mounting

- 1a Fit handle (item 13) to the fan housing (item 11) using screws x 2 (item 12).
- 2a Fit wheels x 2 (item 22) to the frame using shoulder screws x 2 (item 20) and washers x 2 (item 21).
- 3a Fit feet brackets x 2, (item 27) using screws x 4 (item 28) and washers x 4 (item 29).
- 4a Fit feet x 2 (item 26) onto brackets using screws x 2 (item 24) and washers x 2 (item 25).
- 5a Plug in and switch on, adjust the fan speed to suit.

### Ceiling Mounting

Choose location for the fan installation, ensuring correct electric supply is available.

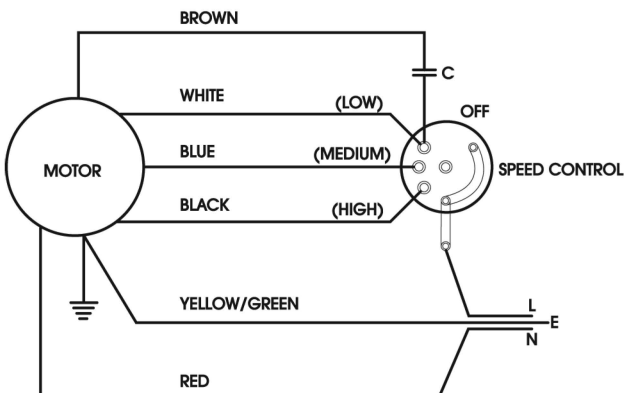
- 1b Use the ceiling mounting plate (item 23) as a template, to mark drilling locations.
- 2b Drill holes in ceiling to suit suitable fixings, not supplied.
- 3b Fix the ceiling mounting plate to the ceiling using appropriate fixings, not supplied. Ensure the mounting plate is secured sufficiently to take the weight of the fan.
- 4b Attach the fan to the mounting plate using screws supplied, (item 30).
- 5b Adjust the fan to desired position then tighten all three securing screws.
- 6b Plug in and switch on, adjust the fan speed to suit.

**NOTE: all parts not used for ceiling mounted fans, should be stored safely for use if the fan is to be floor mounted.**

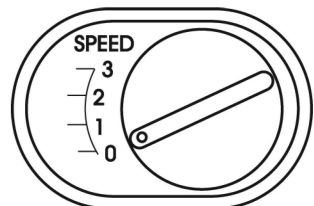
## WARNING

NEVER OPERATE THE FAN WITH EITHER FRONT OR REAR GRILLS REMOVED.

## Electrical Schematic



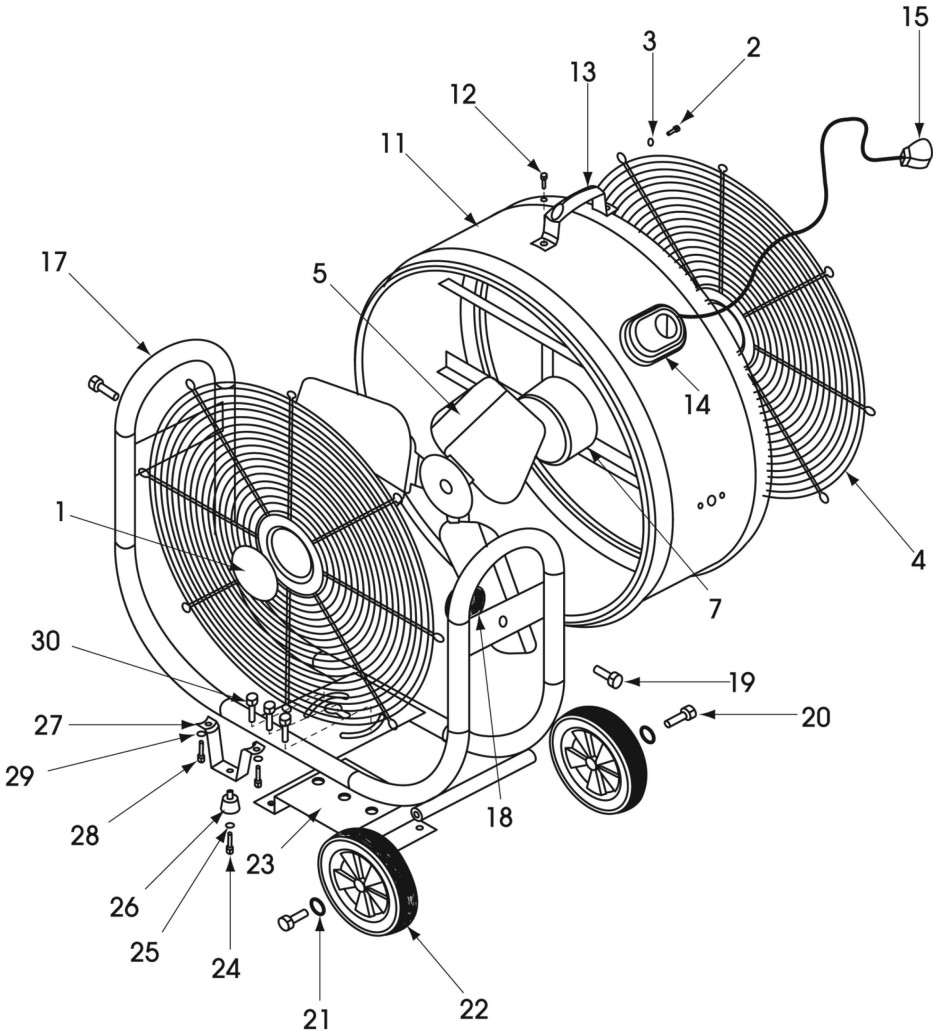
Speed Control Switch



## Parts List

Item	Part Number	Description	Qty
1	OT500201	Name plate	1
2	OT500202	Screw M18 x 12	16
3	OT500203	Washer 5mm	16
4	OT500204	Grill	2
5	OT500205	Fan blade	1
6	OT500206	Screw M10 x 13	1
7	OT500207	Motor	1
8	OT500208	Screw M6 x 12	6
9	OT500209	Nut M6	6
10	OT500210	Nut M8	2
11	OT500211	Drum Fan Housing	1
12	OT500212	Screw M6 x 10	2
13	OT500213	Handle	1
14	OT500214	Switch Box	1
15	OT500215	Power Cord & Plug	1
16	OT500216	Screw ST4 x 12	4
17	OT500217	Frame	1
18	OT500218	Shock Absorber	2
19	OT500219	Screw M12 x 35	2
20	OT500220	Screw M12 x 70	2
21	OT500221	Washer 12mm	2
22	OT500222	Wheel	2
23	OT500223	Ceiling Mounting Plate	1
24	OT500224	Screw M5 x 10	2
25	OT500225	Washer 5mm	2
26	OT500226	Foot	2
27	OT500227	Bracket	2
28	OT500228	Screw M6 x 12	4
29	OT500229	Washer	4
30	OT500230	Screw M12 x 20	3

# Parts Diagram



# A SELECTION FROM THE VAST RANGE OF

# Clarke®

## QUALITY PRODUCTS



**AIR COMPRESSORS**  
From DIY to industrial, Plus air tools, spray guns and accessories.

**GENERATORS**  
Prime duty or emergency standby for business, home and leisure.

**POWER WASHERS**  
Hot and cold, electric and engine driven - we have what you need

**WELDERS**  
Mig, Arc, Tig and Spot.  
From DIY to auto/industrial.

**METALWORKING**  
Drills, grinders and saws for DIY and professional use.

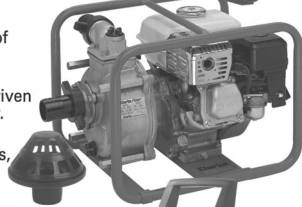
**WOODWORKING**  
Saws, sanders, lathes, mortisers and dust extraction.

**HYDRAULICS**  
Cranes, body repair kits, transmission jacks for all types of workshop use.

**WATER PUMPS**  
Submersible, electric and engine driven for DIY, agriculture and industry.

**POWERTOOLS**  
Angle grinders, cordless drill sets, saws and sanders..

**STARTERS/CHARGERS**  
All sizes for car and commercial use.



**PARTS & SERVICE: 0208 988 7400**

E-mail: [Parts@clarkeinternational.com](mailto:Parts@clarkeinternational.com) or [Service@clarkeinternational.com](mailto:Service@clarkeinternational.com)

**SALES: UK 01992 565333 or Export 00 44 (0)1992 565335**

**Clarke® INTERNATIONAL** Hemnall Street, Epping, Essex CM16 4LG  
[www.clarkeinternational.com](http://www.clarkeinternational.com)