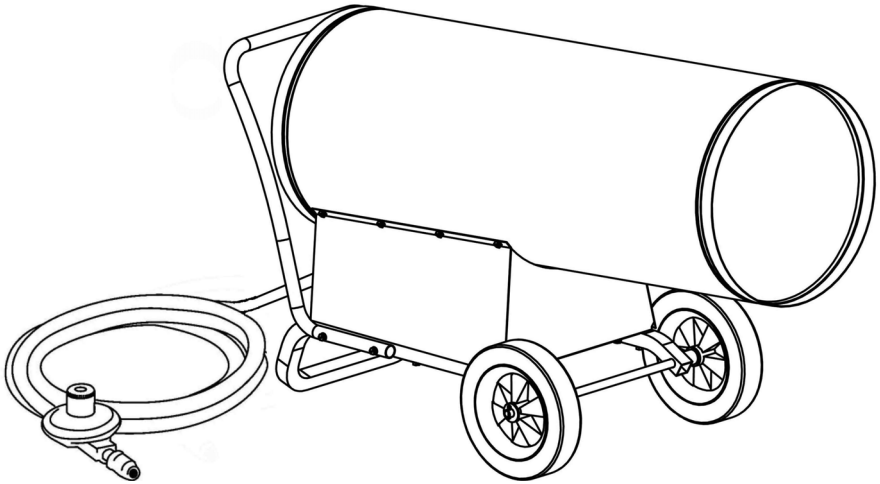


Charlbe®



PROPANE GAS HEATER

MODEL NO: DEVIL 4000

PART NO: 6926150

OPERATION & MAINTENANCE INSTRUCTIONS



GC10/13

INTRODUCTION

Thank you for purchasing this CLARKE product.

Before attempting to use this product, please read this manual thoroughly and follow the instructions carefully. In doing so you will ensure the safety of yourself and that of others around you, and you can look forward to your purchase giving you long and satisfactory service.

This is a forced air heater meaning that a blower or fan pushes the air through the heater. It's intended use is primarily temporary heating of buildings under construction, alteration or repair., plus workshops, warehouses etc.

Proper combustion depends upon the air flow; therefore, the heater must not be modified or operated with parts removed or missing. Likewise, safety systems must not be circumvented or modified in order to operate the heater.

GUARANTEE

This product is guaranteed against faulty manufacture for a period of 12 months from the date of purchase. Please keep your receipt which will be required as proof of purchase.

This guarantee is invalid if the product is found to have been abused or tampered with in any way, or not used for the purpose for which it was intended.

Faulty goods should be returned to their place of purchase, no product can be returned to us without prior permission.

This guarantee does not effect your statutory rights.

UNPACKING

1. Remove the heater from the carton.
2. Remove all protective material which may have been applied to the heater for shipment.
3. Check the heater for possible shipping damage. Should any damage be apparent, please notify your Clarke dealer immediately.

GENERAL SAFETY PRECAUTIONS

Read, and make sure you fully understand the following precautions and the hazards associated with this type of equipment.

1. Check the heater thoroughly for damage. DO NOT operate a damaged heater.
2. DO NOT modify the heater or operate a heater which has been modified from its original condition.
3. Use only propane gas.
4. Use only VAPOUR WITHDRAWAL propane supply. If there is any question about vapour withdrawal, ask your propane dealer.
5. Mount the propane cylinders vertically (shut-off valve up). Secure them from falling or being knocked over and protect them from damage.
6. Locate propane containers at least 7ft. (2.13m), from the heater and do not direct the exhaust toward containers.
7. **IMPORTANT:** Use only the hose and regulator assembly provided with the heater. Inspect the hose assembly before each use of the heater. If there is excessive abrasion or wear, or hose is cut, replace with the hose assembly listed on the parts list before using the heater.
8. Not to be used for the heating of habitable areas of domestic premises; for use in public buildings, refer to national regulations.
9. For indoor use only in well ventilated areas.
10. If at any time gas odour is detected, IMMEDIATELY STOP operation until the source of gas has been located and corrected.
11. Install the heater such that it is not directly exposed to water spray, rain and/or dripping water.
12. Maintain minimum clearance from normal combustible material (e.g. like paper).
13. Due to the high surface and exhaust temperatures, adults and children must observe sufficient clearances to avoid burns or clothing ignition.
14. Operate only on a stable, level surface.
15. Do not use with duct work. Do not restrict air inlet or exit.
16. Use only the electrical voltage specified.
17. Do not move, handle or service while hot or burning.
18. Use only in accordance with local codes of practice.
19. Do not place torsional stress on any hoses.

MINIMUM FRESH AIR OPENING REQUIREMENTS

- Minimum ventilation: 3.5 ft²
- Do not use in un-ventilated areas.
- The flow of combustion and ventilation air must not be obstructed.

MINIMUM CLEARANCES FROM COMBUSTIBLES

Outlet	8 Ft	Top	3 Ft
Sides	2 Ft	Rear	2 Ft

RISKS OF CARBON MONOXIDE POISONING

Even though this heater operates very close to 100 percent combustion efficiency, it still produces small amounts of carbon monoxide.

- Carbon Monoxide (CO) is toxic.
- Pregnant women, persons with a heart or lung condition, anaemia or under the influence of alcohol, or those at high altitude, are more likely to be effected by Carbon Monoxide.
- CO can build up in a confined space and failure to provide adequate ventilation can be fatal.

The early symptoms of asphyxiation caused by inadequate ventilation are:

- headache
- dizziness
- nausea
- dry mouth or sore throat

Should anyone show these symptoms, they must GET FRESH AIR IMMEDIATELY. Turn off the heater and have it serviced before using again.

Be sure to follow all the warnings in this manual.

**WE RECOMMEND THE USE OF A CARBON MONOXIDE
DETECTOR**

ELECTRICAL CONNECTIONS



WARNING: READ THESE ELECTRICAL SAFETY INSTRUCTIONS THOROUGHLY BEFORE CONNECTING THE PRODUCT TO THE MAINS SUPPLY.

Connect the mains lead to a standard, 230 Volt (50Hz) electrical supply through an approved BS1363 plug fitted with a BS1362 13 amp fuse.

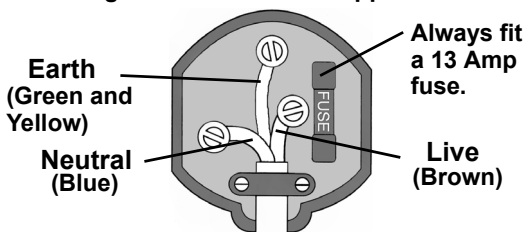
If the plug has to be changed because of damage, it must be removed and a replacement fitted, following the wiring instructions shown below. The old plug must be discarded safely, as insertion into a power socket could cause an electrical hazard.



**WARNING: WIRES IN THE MAINS LEAD ARE COLOURED IN ACCORDANCE WITH THE FOLLOWING CODE:
GREEN/YELLOW = EARTH, BLUE = NEUTRAL, BROWN = LIVE.**

- The BLUE wire must be connected to the terminal which is marked N or coloured black.
- The BROWN wire must be connected to the terminal which is marked L or coloured red.
- The YELLOW AND GREEN wire must be connected to the terminal which is marked E or \perp or coloured green.

Plug must be BS1363/A approved.



Ensure that the outer sheath of the cable is firmly held by the clamp

We strongly recommend that this machine is connected to the mains supply through a Residual Current Device (RCD)

If you are not sure, consult a qualified electrician. DO NOT try to do any repairs.

PROPANE GAS SUPPLY



WARNING: THE FITTING AND CHANGING OF THE GAS CYLINDERS MUST BE CARRIED OUT IN A FLAME FREE ATMOSPHERE.

WARNING: YOU SHOULD ONLY USE PROPANE GAS CYLINDERS AVAILABLE FROM BUILDERS MERCHANTS OR GAS SUPPLIERS.

This portable, direct-fired gas heater is designed to give safe, efficient and reliable operation, and is for use with propane gas only.

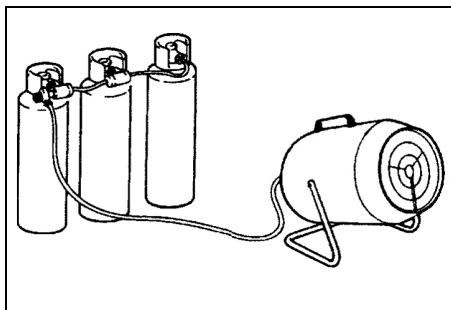
As with all mechanical equipment, optimum performance will only be achieved if the correct operation and servicing procedures are followed.



WARNING: PROPANE GAS CYLINDERS MUST BE USED AND STORED IN ACCORDANCE WITH THE 'HIGHLY FLAMMABLE LIQUIDS AND LIQUEFIED PETROLEUM GASES REGULATIONS 1972'

In order to reduce the risk of icing up when operating at long periods at maximum capacity, you should use a larger capacity gas bottle, or two/ three bottles in parallel as shown in the diagram.

Ensure the Propane gas bottle, gas hose and electric cable, are positioned behind the unit, away from the heat.

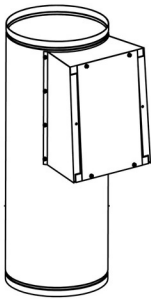


IN THE EVENT OF A GAS LEAK

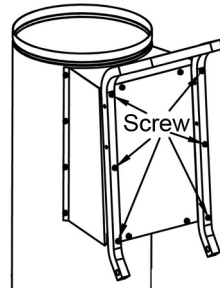
1. Extinguish all smoking materials and other open flames.
2. Do NOT operate electric switches or light matches.
3. Close all supply valves on gas tank or cylinder.
4. Do NOT use your phone. USE a neighbour's phone or your mobile phone from outside the building or wherever you detected the gas leak to call the fire service.
5. Immediately get everyone out of the building or area.

Do NOT re-enter the building, or area until a trained service person or the fire service advises it is safe to return.

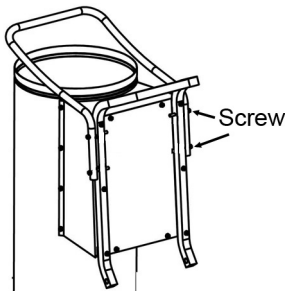
ASSEMBLY



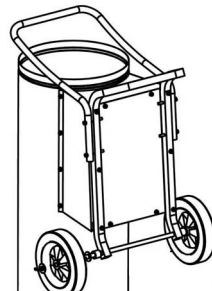
1. Stand the heater on end as shown. **We recommend the help of an assistant to lift and steady the heater during assembly.**



2. Attach the lower frame and secure using six of the machine screws provided.



3. Attach the handle to the lower frame and secure using four machine screws.



4. Slide the axle into position.
5. Place the axle sleeve onto each end.
6. Place the wheels onto each end.
7. Place the spacer onto each end.
8. Secure everything in place with a cotter pin on each end of the axle.

PREPARATION

LOCATION

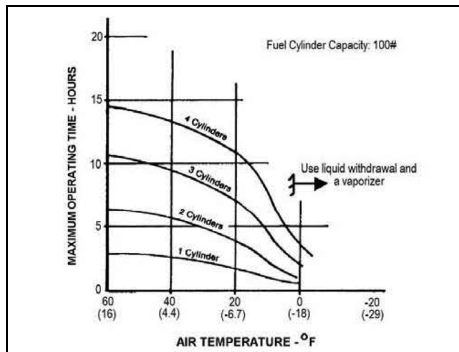
- Position the heater at a safe distance from combustible materials.
- This heater must not be placed on wooden floors or other combustible materials.
- When used, the heater should rest on suitable insulating material at least 1 inch thick and extending 3 ft or more beyond the heater in all directions.

SIZE AND CAPACITY OF PROPANE CYLINDERS

The chart shows the approximate size of the cylinder required for these heaters. To use the chart:

1. Select the lowest air temperature expected (at the bottom of the chart)
2. Move straight up to time of operation desired (left side)
3. Read the cylinder size required

Always use full cylinders with good air circulation and no frost on the cylinders.



CONNECTING THE GAS BOTTLE

1. Check the heater for possible shipping damage. If any is found do not use the heater.
2. Follow all of the "General Safety" precautions on page 3.
3. Connect a POL (Prest-o-Lite) fitting on hose/regulator assembly to the propane tank(s).
 - Turn the POL fitting anti-clockwise into the threads on the tank. Tighten firmly using a wrench.
4. Connect the hose to the heater by rotating the hose fitting clockwise.
 - Make sure that all gas connections are secure.
5. Open the cylinder's gas valve and check all gas connections with a soap and water solution. DO NOT USE A FLAME.
6. Connect the power cable to a 230V, 50Hz, mains socket.

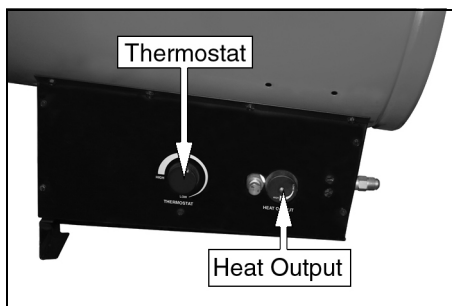
OPERATING INSTRUCTIONS



WARNING: BEFORE STARTING THE HEATER, YOU MUST ENSURE THAT THE MINIMUM VENTILATION REQUIREMENTS ARE OBSERVED TO AVOID THE RISK OF CARBON MONOXIDE POISONING.

HEATER START UP

1. Open the propane supply valve on the propane tank(s) slowly.
 - If not opened slowly, the excess-flow check valve on the propane tank will stop the gas flow. If this happens, close the propane supply valve and open again slowly
2. Set thermostat to 'high'.
 - The heater will ignite automatically.
3. Adjust the heat output to the desired setting.
4. Set the thermostat to the required setting.
 - The heater will turn off and on automatically as the air temperature varies in the heater area.



HEATER SHUT DOWN

1. Securely close the valve on the propane cylinder.
2. Continue to operate the heater until all fuel in the hose has burned.
3. Turn the heater thermostat to "off".
4. Unplug the heater.

RESTART AFTER SAFETY SHUTDOWN

1. Securely close the valve on the propane cylinder.
2. Unplug heater.
3. Wait 5 minutes.
4. Restart, following the Heater Start Up procedure above.

MAINTENANCE, STORAGE AND SERVICING



WARNING: TO PREVENT PERSONAL INJURY, UNPLUG THE HEATER FROM THE MAINS SUPPLY BEFORE SERVICING.

MAINTENANCE AND STORAGE

1. The heater should be inspected at least annually by a qualified person.
2. Before each use, check the soft "O" ring seat at the bullnose of the POL fitting. If the "O" ring is cut, scuffed, or otherwise damaged, replace it.
3. Turn off the gas at the LP-gas supply cylinder(s) when the heater is not in use.
4. When the heater is to be stored indoors, the connection between the LP-gas supply cylinder(s) and the heater must be disconnected and the cylinder(s) removed from the heater and stored out of doors in accordance with local regulations.

SERVICING

A hazardous condition may result if a heater is used that has been modified or is not functioning properly. When the heater is working properly:

- The flame is contained within the heater.
- The flame is essentially blue with perhaps some yellow tipping.
- There is no strong disagreeable odour, eye burning or other physical discomfort.
- There is no smoke or soot internal or external to the heater.
- There are no unplanned or unexplained shut downs of the heater.

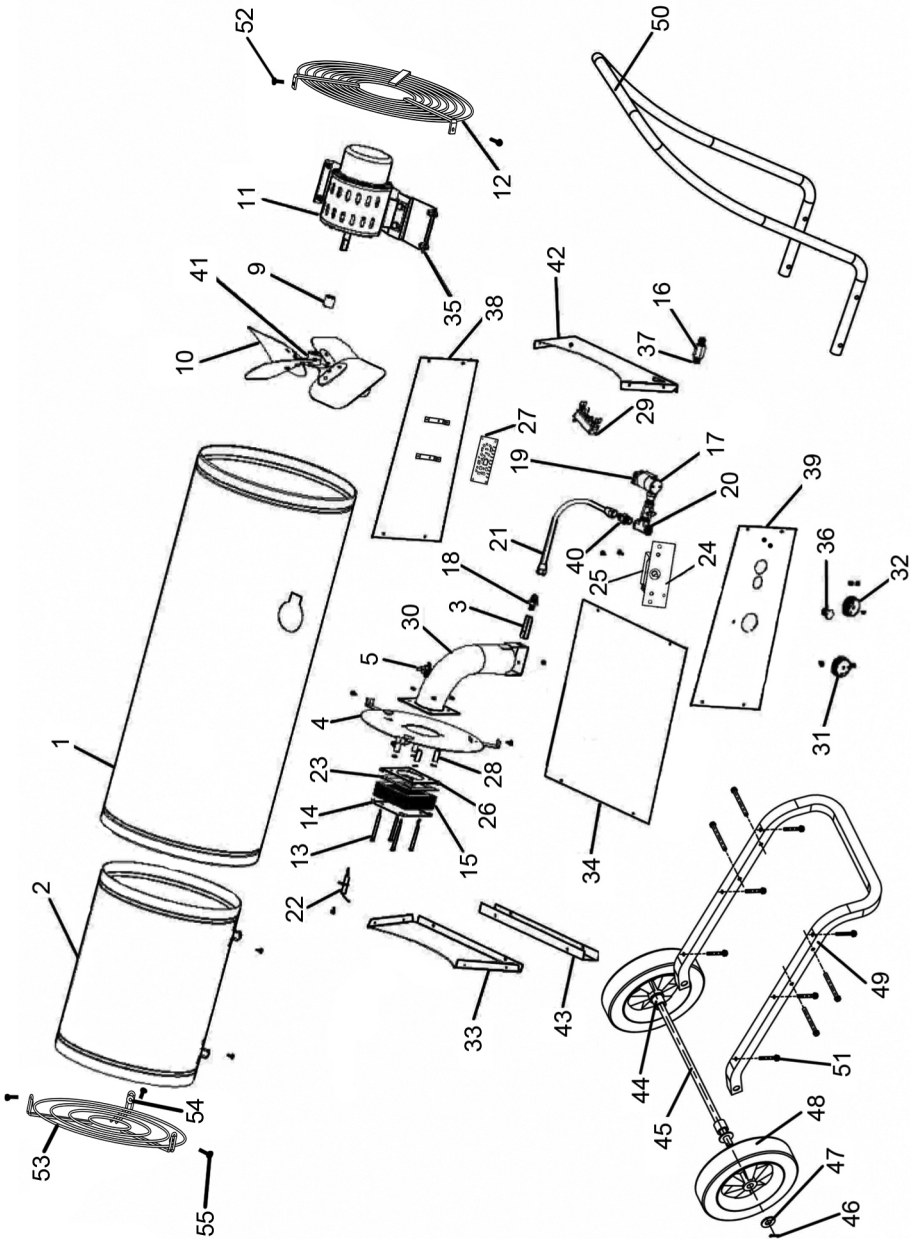
The parts lists and wiring diagram show the heater as it was constructed. Do not use a heater which is different from that shown. In this regard, use only the hose, regulator and cylinder connection fitting (POL fitting) supplied with the heater.

A heater which is not working correctly must be repaired, but only by a trained, experienced service person.

SPECIFICATIONS

Model	DEVIL 4000
Gas Type	Propane
BTU Rating	400,000
Maximum Pressure	Bottle Pressure
Minimum Pressure	1.4 Bar
Regulator Output	20 PSIG (0.14MPa)
Electrical Input	220-240V, 50Hz
Ignition	Direct Spark
Primary Flame Control	Solid State 10-15 Sec timing
Operating Temperature Range	15 °C - 35 °C
Fuel Consumption	5.2-8.4 kg/hr
Fuel Orifice Port No	1
Fuel Orifice Port Size	2.35 mm
Heated Air Output	1400 CFM
Weight	24.6 kg
Dimensions (L x W x H)	994 x 404 x 621 mm

EXPLODED VIEW



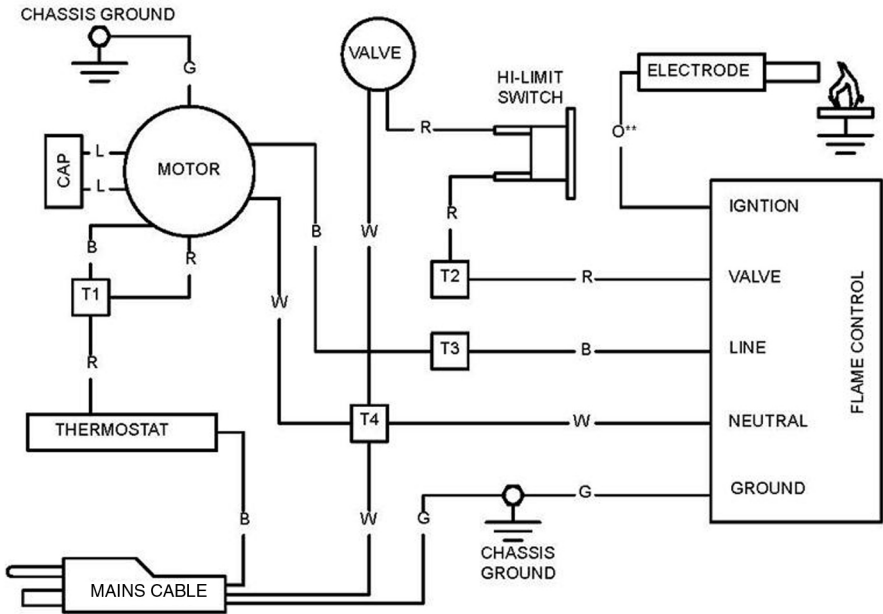
PARTS LIST

1	Outer Shell
2	Middle Cylinder
3	Orifice (2.35 mm port)
4	Flame Holder Assembly
5	High Limit Switch
6	Screw
7	Handle
8	Handle Mounting Clips
9	Fan Spacer, Nylon
10	Fan
11	Motor Assembly
12	Grille, Inlet
13	Machine Screw, SS
14	Burner Outer Plate
15	Burner, Ceramic Grids
16	Male Fitting Conn. 1/4 MPT x 1/4 SAE FLR
17	Solenoid Valve
18	Male Fitting, Conn. 1/8 MPT x 1/4 SAE FLR, LG
19	Burn Rate Adjustment Valve
20	TEE 1/4 N PT, Female Fitting
21	Fuel Tube Assembly
22	Electrode, Flame Sensor
23	Burner. Fiber-Frax Gasket
24	Thermostat Mounting Bracket
25	Thermostat Assembly
26	Burner,- Inner Plate
27	Flame Control
28	Burner,- SS Spacer

29	Terminal Board
30	Burner,- Mixing Tube
31	Thermostat Knob
32	Burn Rate Adjustment Knob
33	Control Box End Panel
34	Control Box Bottom Panel
35	Motor Mounting
36	Fitting, Plug 1/4 MPT
37	Inlet Filter Screen
38	Control Mounting Bracket
39	Control Box CRTL Panel
40	Male Fitting Conn. 1/4 MPT x 1/4 SAE FLR
41	Set Screw, Nyloc
42	Control Box Inlet Panel
43	Bracket, Lift
44	Axle Sleeve
45	Axle
46	Cotter Pin
47	Spacer
48	Wheel
49	Lower Frame
50	Handle
51	Machine Screw
52	Machine Screw
53	Front Guard
54	Lock Nut
55	Machine Screw

When requesting spare parts, please quote the reference GFDEV4000/01-51.

WIRING DIAGRAM



DECLARATION OF CONFORMITY



Clarke[®]
INTERNATIONAL

Hemnall Street, Epping, Essex CM16 4LG

DECLARATION OF CONFORMITY

This is an important document and should be retained.

We hereby declare that this product(s) complies with the following directive(s):

2004/108/EC *Electromagnetic Compatibility Directive.*
2006/95/EC *Low Voltage Equipment Directive.*
2011/65/EU *Restriction of Hazardous substances.*
2009/142/EC *Gas Appliance Directive*

The following standards have been applied to the product(s):

EN 1596:1998, EN 60335-1:2012, EN 60335-2-102:2006 +A1 2012, EN 55014-1:2006 +A2:2011

The technical documentation required to demonstrate that the product(s) meet(s) the requirement(s) of the aforementioned directive(s) has been compiled and is available for inspection by the relevant enforcement authorities.

The CE mark was first applied in: 2013

Product Description: Gas Heater
Model number(s): Devil 4000
Serial / batch Number: N/A
Date of Issue: 15/07/2013

Signed:



J.A. Clarke
Director

A SELECTION FROM THE VAST RANGE OF

Clarke®

QUALITY PRODUCTS

AIR COMPRESSORS

From DIY to industrial, Plus air tools, spray guns and accessories.

GENERATORS

Prime duty or emergency standby for business, home and leisure.

POWER WASHERS

Hot and cold, electric and engine driven - we have what you need

WELDERS

Mig, Arc, Tig and Spot. From DIY to auto/industrial.

METALWORKING

Drills, grinders and saws for DIY and professional use.

WOODWORKING

Saws, sanders, lathes, mortisers and dust extraction.

HYDRAULICS

Cranes, body repair kits, transmission jacks for all types of workshop use.

WATER PUMPS

Submersible, electric and engine driven for DIY, agriculture and industry.

POWER TOOLS

Angle grinders, cordless drill sets, saws and sanders.

STARTERS/CHARGERS

All sizes for car and commercial use.



PARTS & SERVICE: 020 8988 7400

E-mail: Parts@clarkeinternational.com or Service@clarkeinternational.com

SALES: UK 01992 565333 or Export 00 44 (0)1992 565335

Clarke® INTERNATIONAL Hemnall Street, Epping, Essex CM16 4LG
www.clarkeinternational.com