

Chem-Pro®

air



UNDERBODY SEAL GUN

MODEL NO: CUB3

PART NO: 5092105

OPERATING & MAINTENANCE INSTRUCTIONS

GC0714

INTRODUCTION

Thank you for purchasing this CLARKE Underbody Sealant Gun.

Before attempting to use this product, please read this manual thoroughly and follow the instructions carefully. In doing so you will ensure the safety of yourself and that of others around you, and you can look forward to your purchase giving you long and satisfactory service.

SPECIFICATION

Model Number	CUB3
Flow/delivery rate	520 ml/min
Max Operating Pressure	90 psi (6.2 bar)
Air Consumption	10 cfm (max @90psi)
Air Inlet Size	1/4" BSP male
Weight	0.3 kg
Dimensions (L x W x H)	280 x 215 x 47 mm

GUARANTEE

This product is guaranteed against faulty manufacture for a period of 12 months from the date of purchase. Please keep your receipt which will be required as proof of purchase.

This guarantee is invalid if the product is found to have been abused or tampered with in any way, or not used for the purpose for which it was intended.

Faulty goods should be returned to their place of purchase, no product can be returned to us without prior permission.

This guarantee does not effect your statutory rights.

ACCESSORIES

A wide range of accessories is available including filter/regulators, lubricators, high-pressure hoses (5 to 50 metres) etc.

Contact your Clarke dealer for further information.

GENERAL SAFETY RULES



CAUTION: FAILURE TO FOLLOW THESE PRECAUTIONS COULD RESULT IN PERSONAL INJURY, AND/OR DAMAGE TO PROPERTY.

WORK ENVIRONMENT

1. Keep the work area clean and tidy.
2. Dress appropriately - Do not wear loose clothing or jewellery. Tie long hair out of the way.
3. Keep children and visitors away - Do not let children handle the tool.
4. Do not operate the tool where there are flammable liquids or gases.

USE OF COMPRESSED AIR TOOLS

1. Stay alert and use common sense - do not operate the tool when you are tired or under the influence of alcohol, drugs or medication.
2. Always wear eye protectors when using the tool. Eye protectors must provide protection from flying particles from the front and the side.
3. A breathing mask may be required when using certain sealing/coating products. Consult the sealing/coating product manufacturers instructions.
4. Ensure adequate ventilation while working with chemical products.
5. Do not overreach - Keep proper footing and balance at all times.
6. Never use oxygen, CO², combustible gasses or any type of bottled gas as a source of power for this tool.
7. Do not connect the air supply hose with your finger on the trigger.
8. Do not exceed the maximum pressure for the tool of 90 psi / 6.2 bar.
9. Keep the air supply hose away from heat, oil and sharp edges.
10. Do not fit the tool to any stand or clamping device that may damage it.
11. Check hoses for leaks or worn condition before use and ensure that all connections are secure.
12. Do not use the tool for any purpose than that described in this manual.
13. Do not carry out any alterations or modifications to the tool.
14. Always disconnect from the air supply when:
 - Performing any maintenance.

- The tool is not in use.
 - The tool will be left unattended.
15. Never use the tool if it is defective or operating abnormally.
 16. Always maintain the tool with care. Keep it clean for the best and safest performance.
 17. Do not force or misuse the tool. It will do a better and safer job at the rate for which it was designed.
 18. Never discharge this sealant gun at any persons or animals.

TRANSPORT & STORAGE

1. Never carry the tool by the air hose or with your finger on the trigger.
2. When not in use the tool must be disconnected from the air supply and stored in a dry place out of the reach of children.
3. Avoid storing the tool where the temperature is below 0°C.

Please keep these instructions in a safe place for future reference.

BEFORE USE



WARNING: COMPRESSED AIR CAN BE DANGEROUS. ENSURE THAT YOU ARE FAMILIAR WITH ALL PRECAUTIONS RELATING TO THE USE OF AIR COMPRESSORS AND COMPRESSED AIR SUPPLIES.

1. Ensure the compressor is turned off.
2. Drain any water from the airline filter and compressor.
3. Connect a suitable hose fitted with a female connector to the sealant gun.
4. Connect the other end of the hose to the compressor.
5. Turn on the air supply and check for air leaks. Rectify any found before proceeding.
 - PTFE tape may be useful for sealing threaded connections.

Your air tool is now ready for use.

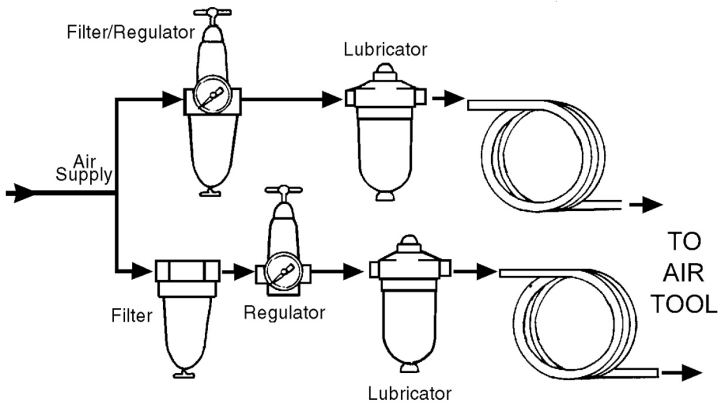
You can fit a whip hose with a quick fit coupling if required, available from your Clarke dealer.

COMPRESSED AIR REQUIREMENTS



WARNING: COMPRESSED AIR CAN BE DANGEROUS. ENSURE THAT YOU ARE FAMILIAR WITH ALL PRECAUTIONS RELATING TO THE USE OF COMPRESSORS AND COMPRESSED AIR SUPPLY.

- Use only clean, dry, regulated compressed air as a power source.
- Air compressors used with the tool must comply with the appropriate European Community Safety Directives.
- A build-up of moisture or oil in the air compressor will accelerate wear and corrosion in the tool. Ensure any moisture is drained from the compressor daily and the inlet filter is kept clean.
- If an unusually long air hose is required, (over 8 metres), the line pressure or the hose inside diameter may need to be increased.
- The air hose must be rated at least 150% of the maximum operating pressure of the tool.



- A typical air line layout is shown above. If an automatic in-line filter/regulator is used, it will keep the tool in good condition.
- For optimum performance it is recommended that a 3/8" ID hose is used.
- Never exceed the maximum operating pressure for the tool. It is recommended that air pressure to this tool does not exceed 90 psi at the tool when running. Higher pressures and dirty air will shorten the life of the tool due to faster wear and is a possible safety hazard.

OPERATION

1. Ensure the gun is securely screwed to the sealant product container and that the vent hole in the top of the screw cap is clear.
2. Select and secure either the short nozzle (item 4 on page 7) or the extension hose (items 5-7 on page 7).
3. Set the air pressure to a maximum of 90psi..
4. If using the short nozzle, test on a spare piece of material first.
5. If using the flexible extension hose no adjustment is necessary. Ensure the nozzle is fully inserted into the target aperture before pulling the trigger.
6. Release the trigger before removing the flexible tube nozzle.

DISCONNECTING THE AIR SUPPLY

1. Do not disconnect the air supply hose until the compressor has been shut down and the compressed air released. Refer to the compressor instruction manual for the procedure to shut down and vent the compressed air.
2. Once the pressure has been released, disconnect the air supply hose from the air tool.

MAINTENANCE



WARNING: MAKE SURE THAT THE AIR TOOL IS DISCONNECTED FROM THE AIR SUPPLY BEFORE STARTING ANY CLEANING, OR MAINTENANCE PROCEDURES.

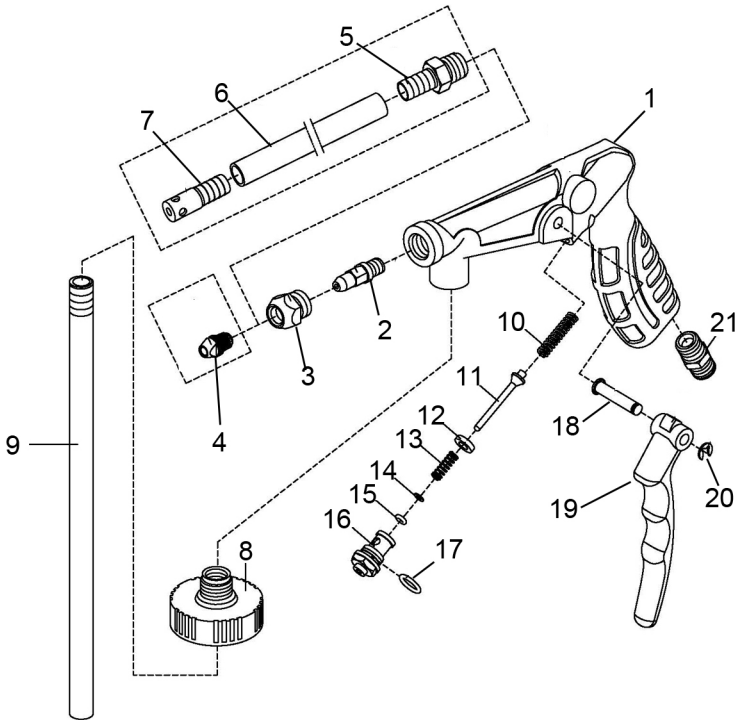
1. Clean thoroughly after use with a suitable solvent which will not harm the O-rings inside the sealant gun.

PERFORMANCE

Please note that factors other than the tool may effect its operation and efficiency such as reduced compressor output, excessive drain on the airline, moisture or restrictions in the air-line, or the use of connectors of improper size or poor condition which will reduce air supply.

Your Clarke air tool has been designed to give long and trouble free service. If, however, having followed the instructions in this booklet carefully, you encounter problems, contact the Clarke service department.

COMPONENT PARTS



No	Description
1	Gun Body
2	Air Nozzle
3	Nozzle Seat
4	Nozzle
5	Connector
6	Tube
7	Nozzle
8	Screw Cap
9	Material Tube
10	Air Valve Spring
11	Air Valve Stem

No	Description
12	Sealant Gasket
13	Compression Spring
14	Gasket
15	O-Ring 2.5 x 1.8
16	Air Valve Body
17	O-Ring 8.0 x 1.8
18	Trigger Pin
19	Trigger
20	Circlip
21	Air Inlet Connector

A SELECTION FROM THE VAST RANGE OF

Clarke®

QUALITY PRODUCTS

AIR COMPRESSORS

From DIY to industrial, Plus air tools, spray guns and accessories.

GENERATORS

Prime duty or emergency standby for business, home and leisure.

POWER WASHERS

Hot and cold, electric and engine driven - we have what you need

WELDERS

Mig, Arc, Tig and Spot. From DIY to auto/industrial.

METALWORKING

Drills, grinders and saws for DIY and professional use.

WOODWORKING

Saws, sanders, lathes, mortisers and dust extraction.

HYDRAULICS

Cranes, body repair kits, transmission jacks for all types of workshop use.

WATER PUMPS

Submersible, electric and engine driven for DIY, agriculture and industry.

POWER TOOLS

Angle grinders, cordless drill sets, saws and sanders.

STARTERS/CHARGERS

All sizes for car and commercial use.



PARTS & SERVICE: 020 8988 7400

E-mail: Parts@clarkeinternational.com or Service@clarkeinternational.com

SALES: UK 01992 565333 or Export 00 44 (0)1992 565335

Clarke® INTERNATIONAL Hemnall Street, Epping, Essex CM16 4LG
www.clarkeinternational.com