

Chem-Pro®

air



WATER WASH GUN

MODEL NO: CWG2

PART NO: 5050305

OPERATING & MAINTENANCE INSTRUCTIONS

GC0714

INTRODUCTION

Thank you for purchasing this CLARKE Water Wash Gun.

Before attempting to use this product, please read this manual thoroughly and follow the instructions carefully. In doing so you will ensure the safety of yourself and that of others around you, and you can look forward to your purchase giving you long and satisfactory service.

SPECIFICATION

Model Number	CWG2
Max Operating Pressure	90 psi (6.2 bar)
Air Consumption	10 cfm (max @90psi)
Air Inlet Size	1/4" BSP male
Weight(s)	0.3 kg
Dimensions (L x W x H)	155 x 250 x 35 mm

GUARANTEE

This product is guaranteed against faulty manufacture for a period of 12 months from the date of purchase. Please keep your receipt which will be required as proof of purchase.

This guarantee is invalid if the product is found to have been abused or tampered with in any way, or not used for the purpose for which it was intended.

Faulty goods should be returned to their place of purchase, no product can be returned to us without prior permission. This guarantee does not effect your statutory rights.

ACCESSORIES

A wide range of accessories is available including filter/regulators, lubricators, high-pressure hoses (5 to 50 metres) etc.

Contact your Clarke dealer for further information.

GENERAL SAFETY RULES



CAUTION: FAILURE TO FOLLOW THESE PRECAUTIONS COULD RESULT IN PERSONAL INJURY, AND/OR DAMAGE TO PROPERTY.

WORK ENVIRONMENT

1. Keep the work area clean and tidy.
2. Dress appropriately - Do not wear loose clothing or jewellery. Tie long hair out of the way.
3. Keep children and visitors away - Do not let children handle the tool.
4. Do not operate the tool where there are flammable liquids or gases.

USE OF POWER TOOLS

1. Stay alert and use common sense - do not operate the tool when you are tired or under the influence of alcohol, drugs or medication.
2. Always wear eye protectors when using the tool. Eye protectors must provide protection from flying particles from the front and the side.
3. Do not overreach - Keep proper footing and balance at all times.
4. Never use oxygen, CO², combustible gasses or any type of bottled gas as a source of power for this tool.
5. Do not connect the air supply hose with your finger on the trigger.
6. Do not exceed the maximum pressure for the tool of 90 psi / 6.2 bar.
7. Keep the air supply hose away from heat, oil and sharp edges.
8. Do not fit the tool to any stand or clamping device that may damage it.
9. Check hoses for leaks or worn condition before use and ensure that all connections are secure.
10. Do not use the tool for any purpose than that described in this manual.
11. Do not carry out any alterations or modifications to the tool.
12. Always disconnect from the air supply when:
 - Performing any maintenance.
 - The tool is not in use.
 - The tool will be left unattended.

13. Never use the tool if it is defective or operating abnormally.
14. Always maintain the tool with care. Keep it clean for the best and safest performance.
15. Do not force or misuse the tool. It will do a better and safer job at the rate for which it was designed.
16. Never discharge this wash gun at any persons or animals.

TRANSPORT & STORAGE

1. Never carry the tool by the air hose or with your finger on the trigger.
2. When not in use the tool must be disconnected from the air supply and stored in a dry place out of the reach of children.
3. Avoid storing the tool where the temperature is below 0°C.

Please keep these instructions in a safe place for future reference.

BEFORE USE



WARNING: COMPRESSED AIR CAN BE DANGEROUS. ENSURE THAT YOU ARE FAMILIAR WITH ALL PRECAUTIONS RELATING TO THE USE OF AIR COMPRESSORS AND COMPRESSED AIR SUPPLIES.

1. Ensure the compressor is turned off.
2. Before use, drain water from the airline filter and compressor.
3. Connect a suitable hose with a female connector to the wash gun.
4. Connect the other end of the hose to the compressor.
5. Turn on the air supply and check for air leaks. Rectify any found before proceeding.
 - PTFE tape may be useful for sealing threaded connections.

Your wash gun is now ready for use.

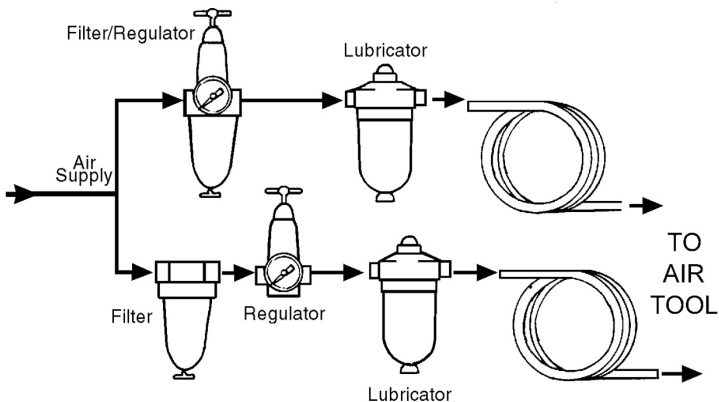
You can fit a whip hose with a quick fit coupling if required, available from your Clarke dealer.

COMPRESSED AIR REQUIREMENTS



WARNING: COMPRESSED AIR CAN BE DANGEROUS. ENSURE THAT YOU ARE FAMILIAR WITH ALL PRECAUTIONS RELATING TO THE USE OF COMPRESSORS AND COMPRESSED AIR SUPPLY.

- Use only clean, dry, regulated compressed air as a power source.
- Air compressors used with the tool must comply with the appropriate European Community Safety Directives.
- A build-up of moisture or oil in the air compressor will accelerate wear and corrosion in the tool. Ensure any moisture is drained from the compressor daily and the inlet filter is kept clean.
- If an unusually long air hose is required, (over 8 metres), the line pressure or the hose inside diameter may need to be increased.
- The air hose must be rated at least 150% of the maximum operating pressure of the tool.



- A typical air line layout is shown above. If an automatic in-line filter/regulator is used, it will keep the tool in good condition.
- For optimum performance it is recommended that a 3/8" ID hose is used.
- Never exceed the maximum operating pressure for the tool. It is recommended that air pressure to this tool does not exceed 90 psi at the tool when running. Higher pressures and dirty air will shorten the life of the tool due to faster wear and is a possible safety hazard.

OPERATION

1. Connect the gun to a suitable water supply using a standard snap-on hose connector. The gun should be connected to a pressurised water supply or it will function at a significantly reduced rate.
2. Set the compressed air pressure to suit at the compressed airline regulator and set the water pressure at the tap.
3. The water flow adjusting knob (item 6 on page 7) must be rotated to obtain the required spray volume. The direction of rotation (+/-) is marked on the nozzle.

DISCONNECTING THE AIR SUPPLY

1. Do not disconnect the air supply hose until the compressor has been shut down and the compressed air released.
2. Refer to the compressor instruction manual for the procedure to shut down and vent the compressed air.
3. Once the pressure has been released, disconnect the air supply hose from the air tool.

MAINTENANCE



WARNING: MAKE SURE THAT THE AIR TOOL IS DISCONNECTED FROM THE AIR SUPPLY BEFORE STARTING ANY CLEANING, OR MAINTENANCE PROCEDURES.

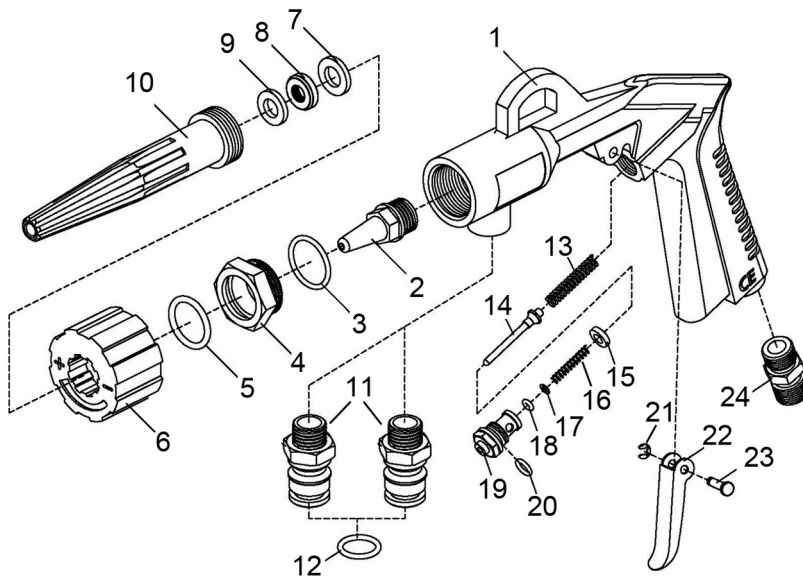
-
1. Clean thoroughly after use with a suitable solvent (one that will not harm the O-rings or plastic parts).

PERFORMANCE

Please note that factors other than the tool may effect its operation and efficiency such as reduced compressor output, excessive drain on the airline, moisture or restrictions in the air-line, or the use of connectors of improper size or poor condition which will reduce air supply.

Your Clarke air tool has been designed to give long and trouble free service. If, however, having followed the instructions in this booklet carefully, you encounter problems, contact the Clarke service department.

COMPONENT PARTS



No	Description
1	Gun Body
2	Air
3	O-Ring 18x1.8
4	Retaining Seat
5	O-Ring 17x2.65
6	Flow Adjusting Knob
7	Spacer
8	Sealing Gasket
9	Spacer
10	Water Nozzle
11	Water Hose Connector
12	O-Ring 10.6x2.65

No	Description
13	Air Valve Spring
14	Air Valve Stem
15	Sealing Gasket
16	Compression Spring
17	Gasket
18	O-Ring 2.5x1.8
19	Air Valve Body
20	O-Ring 8x1.8
21	Circlip
22	Trigger
23	Trigger Pin
24	Airline Connector

A SELECTION FROM THE VAST RANGE OF

Clarke®

QUALITY PRODUCTS

AIR COMPRESSORS

From DIY to industrial, Plus air tools, spray guns and accessories.

GENERATORS

Prime duty or emergency standby for business, home and leisure.

POWER WASHERS

Hot and cold, electric and engine driven - we have what you need

WELDERS

Mig, Arc, Tig and Spot. From DIY to auto/industrial.

METALWORKING

Drills, grinders and saws for DIY and professional use.

WOODWORKING

Saws, sanders, lathes, mortisers and dust extraction.

HYDRAULICS

Cranes, body repair kits, transmission jacks for all types of workshop use.

WATER PUMPS

Submersible, electric and engine driven for DIY, agriculture and industry.

POWER TOOLS

Angle grinders, cordless drill sets, saws and sanders.

STARTERS/CHARGERS

All sizes for car and commercial use.



PARTS & SERVICE: 020 8988 7400
E-mail: Parts@clarkeinternational.com or Service@clarkeinternational.com
SALES: UK 01992 565333 or Export 00 44 (0)1992 565335

Clarke® INTERNATIONAL Hemnall Street, Epping, Essex CM16 4LG
www.clarkeinternational.com