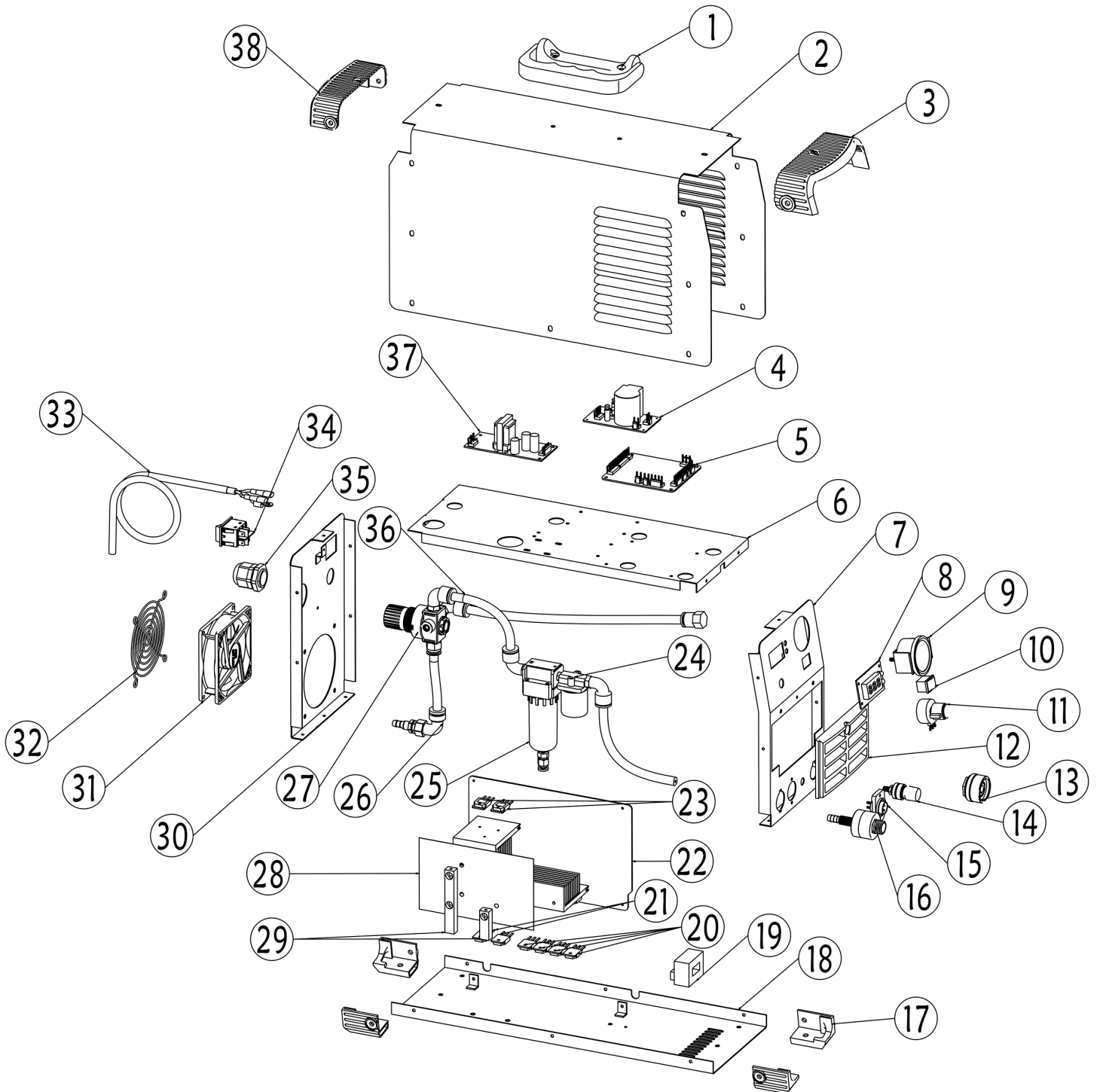


HIGH FREQUENCY
40A PLASMA CUTTER

70066 – IPC40 SPARE PARTS DRAWING





HIGH FREQUENCY 40A PLASMA CUTTER



70066 – IPC40 SPARE PARTS LISTING

KEY No.	PART No.	STOCK No.	DESCRIPTION	KEY No.	PART No.	STOCK No.	DESCRIPTION
1			(NP) Handle	38			(NP) Back plastic piece
2			(NP) Casing				
3			(NP) Front plastic piece				
4	YIPC40-4	95030	High pressure PCB board				
5	YIPC40-5	95031	Control PCB board				
6			(NP) Medial partition				
7			(NP) Front panel				
8	YIPC40-8	95032	Disply meter				
9	YIPC40-9	95044	Pressure meter				
10	YIPC40-10	95046	Time optional switch				
11	YIPC40-11	95047	Magnetic valve				
12			(NP) Baffle				
13			(NP) Quick coupling				
14			(NP) Connecting bolt				
15			(NP) Aviation plug				
16	YIPC40-16	95048	Gas electric integrated socket				
17			(NP) Footing				
18			(NP) Baseplate				
19	YIPC40-19	95049	Sensor				
20	YIPC40-22A	95050	PCB Assembly				
21							
22							
23							
24	YIPC40-24	95051	Magnetic valve				
25	YIPC40-25	95052	Relief Valve - end				
26	YIPC40-26	95053	Hose connector				
27	YIPC40-27	95054	Relief valve front				
28			(NP) Epoxy board				
29			(NP) Suppot bar				
30			(NP) Back panel				
31	YIPC40-31	95055	Fan				
32			(NP) Mesh				
33			(NP) Power cable				
34	YIPC40-34	95056	On/off switch				
35			(NP) Strain relief clamp				
36	YIPC40-36	95057	Hose				
37	YIPC40-37	95058	Power PCB board				